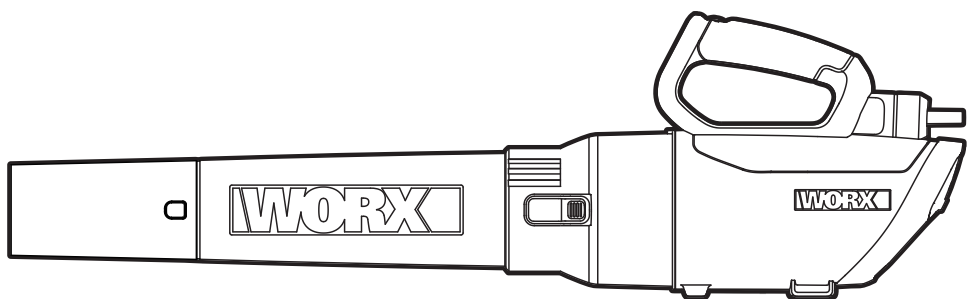


# **WORX**



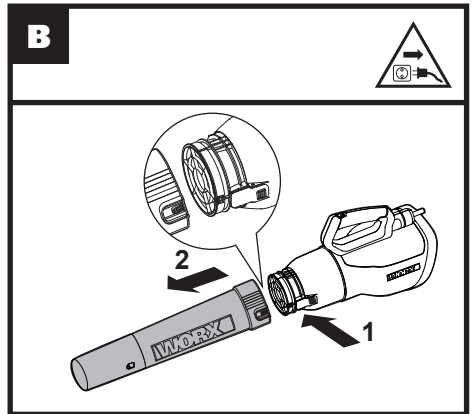
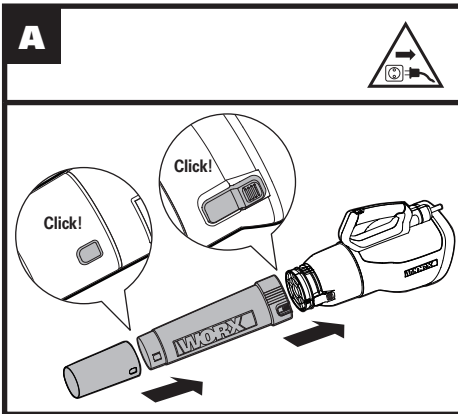
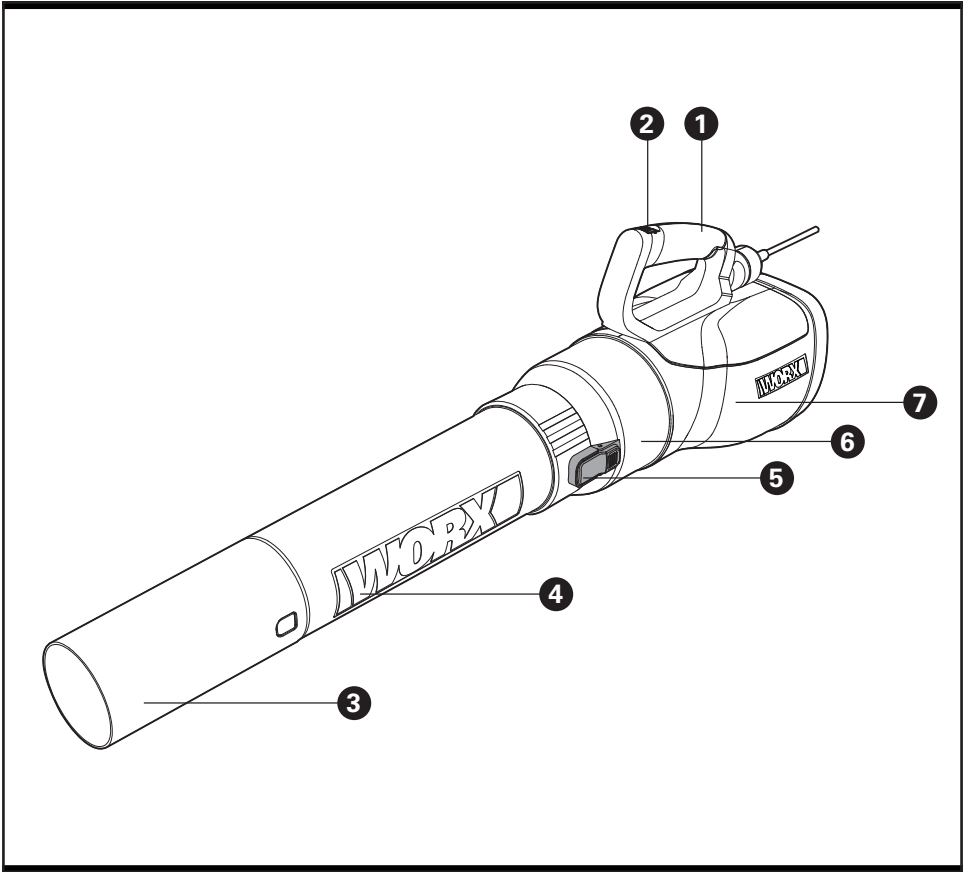
## **SAFETY AND OPERATING MANUAL**

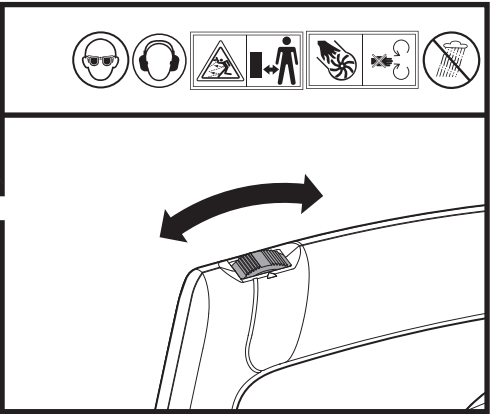
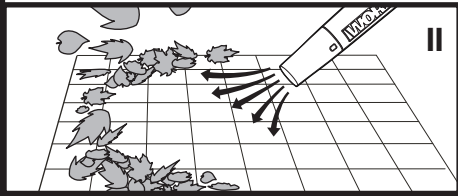
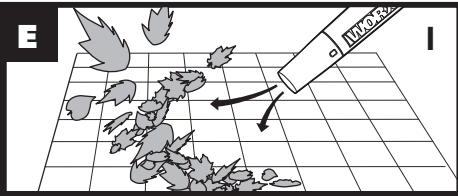
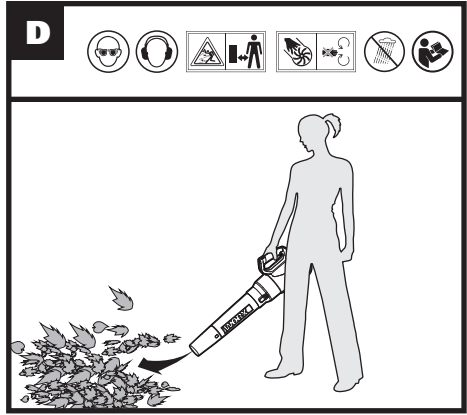
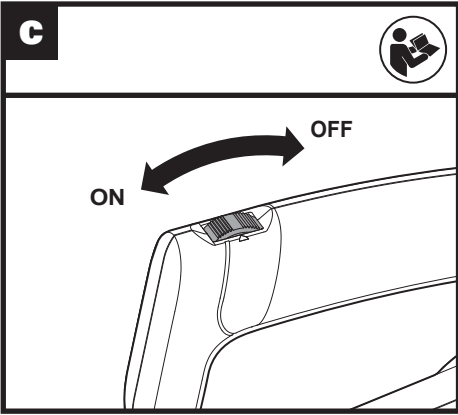
### **ORIGINAL INSTRUCTIONS**

**Electric Blower**

**WG518E**







# PRODUCT SAFETY GENERAL SAFETY WARNINGS

 **WARNING! Read all safety warnings and all instructions.** Failure to follow the warnings and instructions may result in electric shock, fire and/or serious injury.

**Save all warnings and instructions for future reference.**

If the supply cord is damaged, it must be replaced by the manufacturer, its service agent or similarly qualified persons in order to avoid a hazard.

**IMPORTANT  
READ CAREFULLY BEFORE  
USE.  
KEEP FOR FUTURE  
REFERENCE.**

## Safe operating practices

### 1) Training

- a) Read the instructions carefully. Be familiar with the controls and the correct use of the machine.
- b) Never allow children, persons with reduced physical, sensory or mental capabilities or lack of experience and knowledge or people unfamiliar with these instructions to use the machine, local regulations may restrict the age of the operator.
- c) Never operate the machine while people, especially children, or pets are nearby.
- d) Keep in mind, that the operator

or user is responsible for accidents or hazards occurring to other people or their property.

### 2) Preparation

- a) While operating the machine, always wear substantial footwear and long trousers. Do not operate the machine when barefoot or wearing open sandals. Avoid wearing clothing that is loose fitting or that has hanging cords or ties.
- b) Do not wear loose clothing or jewellery that can be drawn into the air inlet. Keep long hair away from the air inlets.
- c) Obtain ear protection and safety glasses. Wear them at all times while operating the machine.
- d) Operate the machine in a recommended position and only on a firm, level surface.
- e) Do not operate the machine on a paved or gravel surface where ejected material could cause injury.
- f) Before using, always visually inspect to see, that the fasteners are secure, the housing is undamaged and that guards and screens are in place. Replace worn or damaged components in sets to preserve balance. Replace damaged or unreadable labels.
- g) Before use, check the supply and extension cord for signs of damage or aging. If the cord becomes damaged during use,

disconnect the cord from the supply immediately. **DO NOT TOUCH THE CORD BEFORE DISCONNECTING THE SUPPLY.** Do not use the machine if the cord is damaged or worn.

- h) Keep extension cords away from moving hazardous parts to avoid damages to the cords which can lead to contact with live parts.
- i) If an extension cord is used make sure it is for outdoor use and marked as such. The recommended size of extension cord is not lighter than  $2 \times 0.75 \text{ mm}^2$ .

### **3) Operation**

- a) Before starting the machine, make certain that the feeding chamber is empty.
- b) Keep your face and body away from the feed intake opening.
- c) Do not allow hands or any other part of the body or clothing inside the feeding chamber, discharge chute, or near any moving part.
- d) Keep proper balance and footing at all times. Do not overreach. Never stand at a higher level than the base of the machine when feeding material into it.
- e) Always stand clear of the discharge zone when operating this machine.
- f) If the machine should start making any unusual noise or vibration, immediately shut off the power source

and allow the machine to stop. Disconnect the machine from the supply and take the following steps before restarting and operating the machine:

- Inspect for damage;
- Replace or repair any damaged parts;
- Check for and tighten any loose parts.
- g) Do not allow processed material to build up in the discharge zone; this may prevent proper discharge and can result in kickback of material through the intake opening.
- h) If the machine becomes clogged, shut-off the power source and disconnect the machine from supply before cleaning debris.
- i) Never operate the machine with defective guards or shields, or without safety devices
- j) Keep the power source clean of debris and other accumulations to prevent damage to the power source or possible fire.
- k) Do not transport this machine while the power source is running.
- l) Stop the machine, and remove plug from the socket. Make sure that all moving parts have come to a complete stop
  - Whenever you leave the machine,
  - Before clearing blockages or

- unlogging chute,
- Before checking, cleaning or working on the machine.
- m) Avoid using the machine in bad weather conditions especially when there is a risk of lightning.

#### 4) Maintenance and storage

- a) Keep all nuts, bolts and screws tight to be sure the appliance is in safe working condition;
- b) Replace worn or damaged parts.
- c) Use only genuine replacement parts and accessories.
- d) Store the machine in a dry place out of the reach of children.
- e) When the machine is stopped for servicing, inspection, or storage, or to change an accessory, shut off the power source, disconnect the machine from the supply and make sure that all moving parts are come to a complete stop. Allow the machine to cool before making any inspections, adjustments, etc. Maintain the machine with care and keep it clean.
- f) Store the machine in a dry place out of the reach of children.
- g) Always allow the machine to cool before storing.
- h) Never attempt to override the interlocked feature of the guard.

#### 5) Recommendation

The machine should be supplied via a residual current

device (RCD) with a tripping current of not more than 30mA.

### SYMBOLS

	Read the operator's manual
	Double insulation
	Wear eye protection
	Wear ear protection
	Keep bystanders away
	Warning of hazard
	Do not expose to rain
	Disconnect the mains plug if the cord becomes damaged or entangled.
	SWITCH OFF: Remove plug from mains before cleaning or maintenance.
	Waste electrical products must not be disposed of with household waste. Please recycle where facilities exist. Check with your local authorities or retailer for recycling advice.

## 1. HANDLE

## 2. ON/OFF SWITCH

## 3. LOWER BLOWER TUBE

## 4. UPPER BLOWER TUBE

## 5. TUBE RELEASE BUTTON


## 6. FAN HOUSING

## 7. MOTOR HOUSING

**Not all the accessories illustrated or described are included in standard delivery.**

# TECHNICAL SPECIFICATIONS


Type **WG518E** (5-designation of machinery, representative of Electric Blower)

Rated Voltage	220–240V~50/60Hz
Rated power	2500W
No load speed	26500/min
Blower speed	97km/h-177km/h
Air volume	9.1m <sup>3</sup> /min -16.7 m <sup>3</sup> /min
Machine weight	2.8kg
Protection degree	 /II

## NOISE DATA

A weighted sound pressure  $L_{pA} = 86\text{dB(A)}$   
 $K_{pA} = 3.0\text{dB(A)}$

A weighted sound power  $L_{wA} = 101\text{dB(A)}$

Wear ear protection 

## VIBRATION INFORMATION

Typical weighted vibration  $a_h < 2.5\text{m/s}^2$   
Uncertainty  $K = 1.5\text{m/s}^2$

The declared vibration total value may be used for comparing one tool with another, and may also be used in a preliminary assessment of exposure.

**WARNING:** The vibration emission value during actual use of the power tool can differ from the declared value depending on the ways in which the tool is used dependant on the following examples and other variations on how the tool is used:

How the tool is used and the materials being cut or drilled.

The tool being in good condition and well maintained

Using the correct accessory for the tool and ensuring it is sharp and in good condition.

The tightness of the grip on the handles and if any anti vibration accessories are used.

And the tool is being used as intended by its design and these instructions.

**This tool may cause hand-arm vibration syndrome if its use is not adequately managed.**

**WARNING:** To be accurate, an estimation of exposure level in the actual conditions of use should also take account of all parts of the operating cycle such as the times when the tool is switched off and when it is running idle but not actually doing the job. This may significantly reduce the exposure level over the total working period.

Helping to minimise your vibration exposure risk.

ALWAYS use sharp chisels, drills and blades

Maintain this tool in accordance with these instructions and keep well lubricated (where appropriate)

If the tool is to be used regularly then invest in anti vibration accessories.

Avoid using tools in temperatures of 10°C or less

Plan your work schedule to spread any high vibration tool use across a number of days.

## OPERATION

### INTENDED USE:

The blower is intended for residential use only. Use the blower outdoors to move yard debris as needed.

### Assembly and Operation

ACTION	FIGURE
Assembling & disassembling the Blower Tube	See Fig. A&B
Starting & Stopping <b>WARNING:</b> The tool runs for a few seconds after it has been switched off. Let the motor come to a complete standstill before setting the tool down.	See Fig. C

# Electric Blower

# WG518E



## Using the Blower

Hold the blow tube approximately 8–20cm above the ground when operating the tool.

Use a sweeping motion from side to side. Advance slowly keeping the accumulated debris/leaves in front of you.

After blowing the debris/leaves into a pile, it is easy to dispose of the pile.

### CAUTION!

—Do not blow hard objects such as nails, bolts, or rocks.

—Do not operate the blower near bystanders or pets.

—Use extra care when cleaning debris from stairs or other tight areas.

—Wear safety goggles or other suitable eye protection, long pants and shoes.

See Fig. D

## Adjusting the Blowing Speed Variable Speed Switch

See Fig. E

## STORAGE

Store the blower and extension cord indoors, in a cool dry location, out of reach of children and animals.

## CLEANING THE TOOL


Clean the tool regularly.

**WARNING!** Keep your product dry.

Under no circumstances spray with water.

- To clean the tool, use only mild soap and a damp cloth.
- Do not use any type of detergent, cleaner or solvent which may contain chemicals that could seriously damage the plastic.
- Self lubricating bearings are used in your product, therefore lubrication is not required.

## ENVIRONMENTAL PROTECTION

 Waste electrical products must not be disposed of with household waste. Please recycle where facilities exist. Check with your local authorities or retailer for recycling advice.

## PLUG REPLACEMENT (ONLY FOR REWIRABLE PLUG OF UK & IRELAND)

If you need to replace the fitted plug then follow the instructions below.

### IMPORTANT

The wires in the mains lead are colored in accordance with the following code:

**Blue = Neutral**

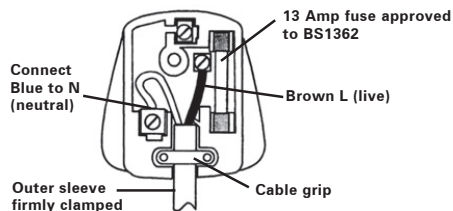
**Brown = Live**

As the colors of the wires in the mains lead of this appliance may not correspond with the colored markings identifying the terminals in your plug, proceed as follows. The wire which is colored blue must be connected to the terminal which is marked with N. The wire which is colored brown must be connected to the terminal which is marked with L.



**WARNING:** Never connect live or neutral wires to the earth terminal of the plug. Only fit an approved 13ABS1363/A plug and the correct rated fuse.

**NOTE:** If a moulded plug is fitted and has to be removed take great care in disposing of the plug and severed cable, it must be destroyed to prevent engaging into a socket.



# DECLARATION OF CONFORMITY

We,  
Positec Power Tools (Europe) Ltd, PO Box 6242,  
Newbury, RG14 9LT, UK

Declare that the product  
Description **Electric Blower Vacuum**  
Type **WG518E (5-designation of machinery, representative of Electric Blower)**  
Function **Blowing debris**

Complies with the following Directives,  
**2006/42/EC, 2014/30/EU, 2011/65/EU, 2000/14/EC amended by 2005/88/EC**

2000/14/EC amended by 2005/88/EC:  
- Conformity Assessment Procedure as per **Annex V.**  
- Measured Sound Power Level **100.1dB(A)**  
- Declared Guaranteed Sound Power Level **101dB(A)**

Standards conform to  
**EN 60335-1**      **EN 50636-2-100**  
**EN ISO 3744**      **EN 62233**  
**EN 55014-1**      **EN 55014-2**  
**EN 61000-3-2**      **EN 61000-3-3**

The person authorized to compile the technical file,  
**Name Russell Nicholson**  
**Address Positec Power Tools (Europe) Ltd,**  
**PO Box 6242, Newbury, RG14 9LT, UK**

10



Suzhou 2016/09/13  
Allen Ding  
Deputy Chief Engineer, Testing & Certification

**Electric Blower**

**WG518E**



**WORX**  
it's your nature

**[www.worx.com](http://www.worx.com)**

Copyright © 2016, Positec. All Rights Reserved.  
AR01264400