

Shark.

DuoClean™ Cordless Upright with Powered Lift-Away™


IC160UK

Series

INSTRUCTIONS



 sharkclean.eu

 0800 862 0453

IMPORTANT SAFETY INSTRUCTIONS

FOR HOUSEHOLD USE ONLY • PLEASE READ CAREFULLY BEFORE USE

If the charger plug does not fit fully into the outlet, reverse the plug. If it still does not fit, contact a qualified electrician. DO NOT force into outlet or try to modify to fit.

⚠ WARNING

To reduce the risk of fire, electric shock, injury, or property damage:

THE DUOCLEAN® FLOOR NOZZLE, WAND, POD, HANDLE, AND HOSE CONTAIN ELECTRICAL CONNECTIONS:

1. This vacuum consists of a motorised nozzle, wand, vacuum pod, handle, and hose. These components contain electrical connections, electrical wiring, and moving parts that potentially present risk to the user.
2. Before each use, carefully inspect all parts for any damage. If a part is damaged, discontinue use.
3. Use only identical replacement parts.
4. This vacuum contains no serviceable parts.
5. Use only as described in this manual. **DO NOT** use the vacuum for any purpose other than those described in this manual.
6. With the exception of filters, **DO NOT** expose any parts of the vacuum to water or other liquids.

GENERAL USE

7. This vacuum is not intended for use by anyone with reduced physical, sensory or mental capabilities, or lack of experience and knowledge, unless they have been given supervision or instruction concerning use of the appliance by a person responsible for their safety. Children should be supervised to ensure that they **DO NOT** play with the vacuum.
8. Always turn off the vacuum before connecting or disconnecting any current carrying hoses, motorised nozzles, chargers, batteries, or other electrical or mechanical parts.
9. **DO NOT** handle plug or vacuum with wet hands.
10. **DO NOT** use without dust cup, filters, and brushrolls in place.

11. Only use Shark® branded filters and accessories. Failure to do so will void the warranty.
12. **DO NOT** put any objects into nozzle or accessory openings. **DO NOT** use with any opening blocked; keep free of dust, lint, hair, and anything that may reduce airflow.
13. **DO NOT** use if nozzle or accessory airflow is restricted. If the air paths or the motorised floor nozzle become blocked, turn the vacuum off and remove the battery. Remove all obstructions before you reinsert the battery and turn on the unit again.
14. Keep nozzle and all vacuum openings away from hair, face, fingers, uncovered feet, or loose clothing.
15. **DO NOT** use if vacuum is not working as it should, or has been dropped, damaged, left outdoors, or dropped into water.
16. Use extra care when cleaning on stairs.
17. **DO NOT** leave the vacuum unattended while powered on.
18. When powered on, keep the vacuum moving over the carpet surface at all times to avoid damaging the carpet fibres.
19. **DO NOT** place vacuum on unstable surfaces such as chairs or tables.
20. **DO NOT** use to pick up:
 - a) Liquids
 - b) Large objects
 - c) Hard or sharp objects (glass, nails, screws, or coins)
 - d) Large quantities of dust (including drywall, fireplace ash, or embers). **DO NOT** use as an attachment to power tools for dust collection.
 - e) Smoking or burning objects (hot coals, cigarette butts, or matches)
 - f) Flammable or combustible materials (lighter fluid, gasoline, or kerosene)
 - g) Toxic materials (chlorine bleach, ammonia, or drain cleaner)

21. **DO NOT** use in the following areas:
 - a) Poorly lit areas
 - b) Wet or damp surfaces
 - c) Outdoor areas
 - d) Spaces that are enclosed and may contain explosive or toxic fumes or vapours (lighter fluid, gasoline, kerosene, paint, paint thinners, mothproofing substances, or flammable dust)
22. Turn off the vacuum before inserting or removing the battery, as well as before plugging in or unplugging the charger.
23. Turn off the vacuum and remove the battery before any adjustment, cleaning, maintenance, or troubleshooting. Such preventative safety measures reduce the risk of starting the appliance accidentally.
24. During cleaning or routine maintenance, **DO NOT** cut anything other than hair, fibres, or string wrapped around the brushroll.
25. Allow all filters to air-dry completely before replacing in the vacuum to prevent liquid from being drawn into electric parts.
26. **DO NOT** modify or attempt to repair the vacuum or the battery yourself, except as indicated in this manual. **DO NOT** use the battery or vacuum if it has been modified or damaged. Damaged or modified batteries may exhibit unpredictable behaviour resulting in fire, explosion, or risk of injury.

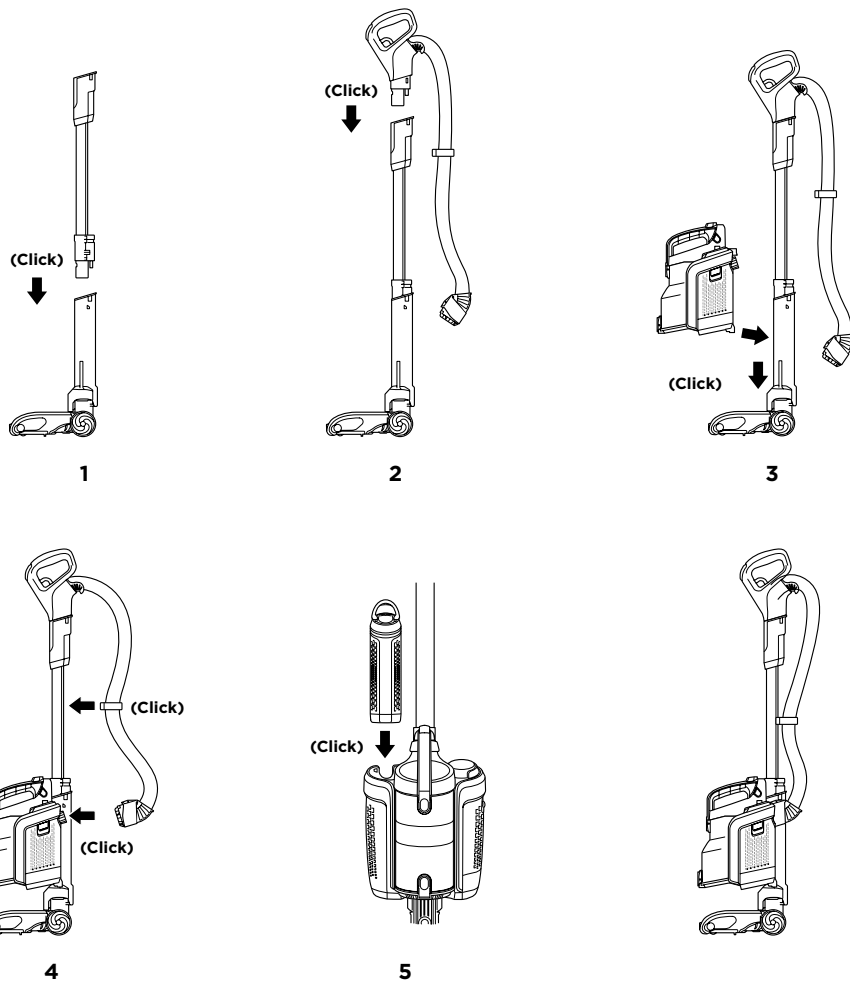
BATTERY PACK

27. The battery is the power source for the vacuum. Carefully read and follow all charging instructions.
28. To prevent unintentional starting, ensure the vacuum is powered off before picking up or carrying the vacuum. **DO NOT** carry the appliance with your finger on the power switch.
29. Use only the Shark Chargers YLS0244A-U332096, use only battery XBAT300EU. Use of batteries or battery chargers other than those indicated may create a risk of fire.
30. Keep the battery away from all metal objects such as paper clips, coins, keys, nails, or screws. Shorting the battery terminals increases the risk of fire or burns.

31. Under abusive conditions, liquid may be ejected from the battery. Avoid contact with this liquid, as it may cause irritation or burns. If contact occurs, flush with water. If liquid contacts eyes, seek medical help.
32. Battery should not be stored at temperatures below 37.4°F (3°C) or above 104°F (40°C) to maintain long-term battery life.
33. **DO NOT** charge battery at temperatures below 50°F (10°C) or above 104°F (40°C).
34. Store the appliance indoors. **DO NOT** use or store it below 37.4°F (3°C). Ensure the appliance is at room temperature before operating.
35. **DO NOT** expose the battery to fire or temperatures above 265°F (130°C) as it may cause explosion.
36. Follow all charging instructions. **DO NOT** charge the battery at temperatures below 50°F (10°C) or above 104°F (40°C). Charging improperly or at temperatures not in the specified range may damage the battery and increase the risk of fire.

SAVE THESE INSTRUCTIONS

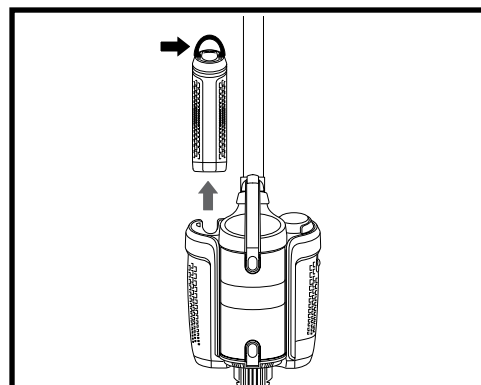
ASSEMBLY



1. Insert wand into floor nozzle.
2. Insert handle into wand.
3. Align the bottom of pod onto the rails on the front of the neck of the floor nozzle. Slide pod down the rails until it clicks into place.
4. Connect hose to back of pod, and attach hose clip onto wand.
5. Insert charged battery into pod with the handle toward the back until it clicks. To ensure proper insertion, the handle on battery must be down.

IMPORTANT: For proper operation, ensure all connections are securely clicked into place.

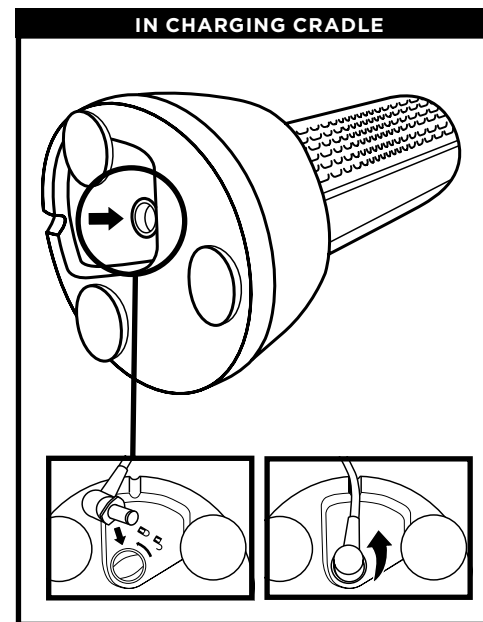
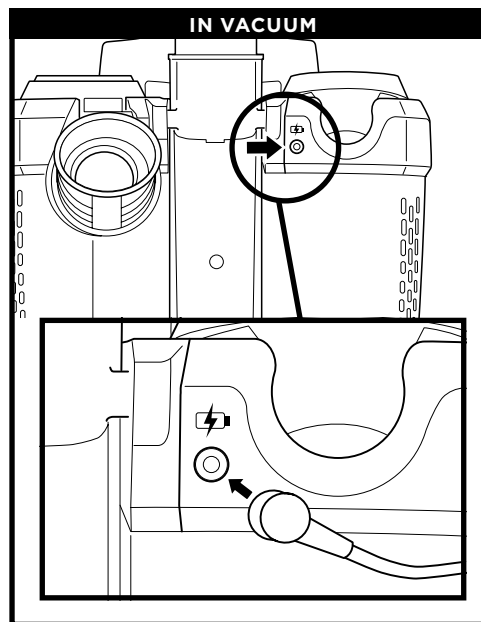
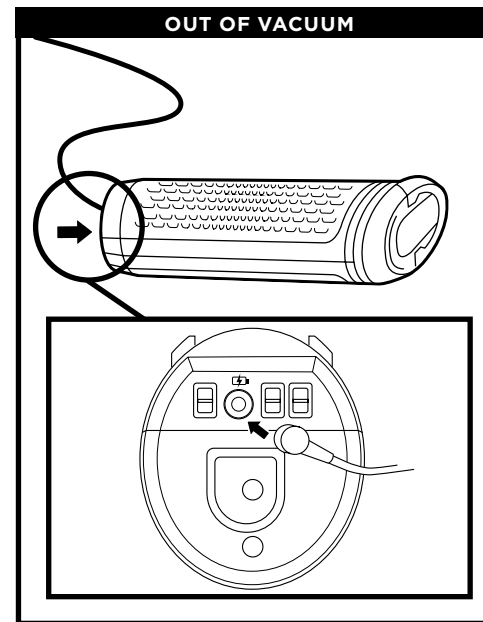
3 WAYS TO CHARGE THE LITHIUM-ION BATTERY



To remove the battery for charging, lift the handle on top of the battery and pull up. The battery must be charged before first use.

A complete charge takes approximately 3.5 hours.

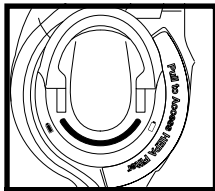
IMPORTANT: When charging, connect the charger to the port first, then plug the charger into wall outlet.



NOTE: only one charger is provided.

NOTE: When using the cradle, insert the charger plug into the port and rotate to lock into place. The battery will not charge unless the charger is locked into place.

CHARGE INDICATOR LIGHTS



TOP OF BATTERY

Charge Indicator Light

In Use: Lights illuminate steadily



Charging: One light flashes



TEMPERATURE ISSUE: FIRST AND THIRD INDICATOR LIGHTS FLASHING ALTERNATELY

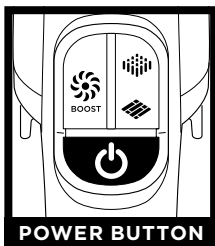


If the first and third indicator lights are flashing alternately, the battery temperature is not optimal. If this happens when charging, leave the battery plugged in and charging will resume once temperature reaches optimal level.

NOTE: The battery must be charged before first use. A complete charge takes approximately 3.5 hours.
NOTE: The indicator light will shut off 5 minutes after reaching full charge.

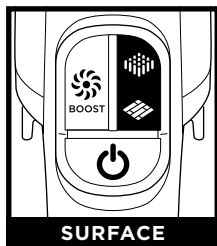
OPERATING THE VACUUM

SETTINGS



POWER BUTTON

Press **Power** button.



SURFACE

Select surface setting:
Carpet
 For thick pile carpets.
Floor
 For hard floors and rugs.



SUCTION LEVEL

Press icon to boost power:
BOOST
 When in Lift-Away® mode, press **BOOST** icon to turn on or off.
 The default power setting on floors and carpets is extended runtime. For an additional boost of suction power, press and hold the **BOOST** icon.

IMPORTANT: Your unit will default to Max Power when using in Lift-Away mode. Max Power shortens runtime.

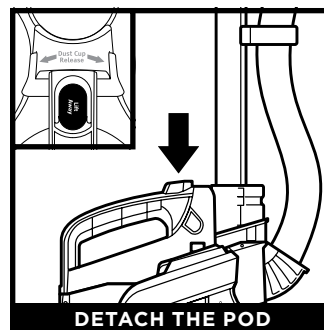
NOTE: Select **Carpet** mode for stuck-on dust and debris.

OPERATING THE VACUUM

RUNTIMES

| MODE AND SETTINGS | REGULAR | BOOST POWER |
|---|------------------|------------------|
| UPRIGHT & POWERED LIFT-AWAY® (CARPET) | Up to 30 minutes | Up to 20 minutes |
| UPRIGHT & POWERED LIFT-AWAY (FLOOR) | Up to 30 minutes | |
| ABOVE FLOOR & LIFT-AWAY (WAND OR HANDLE) | Up to 50 minutes | |

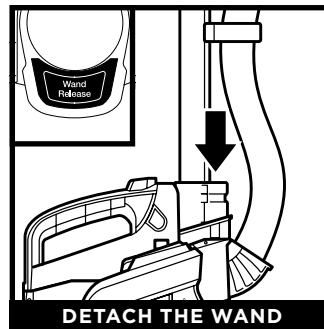
POD, HANDLE AND WAND ARE DETACHABLE



DETACH THE POD

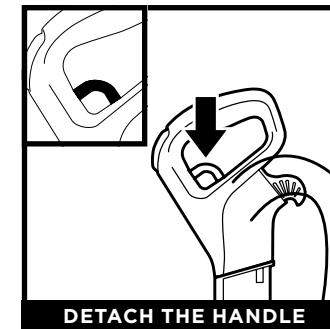
Press **LIFT-AWAY** button on handle and lift pod off floor nozzle.

TIP: See next page for all the different ways you can use your vacuum.



DETACH THE WAND

Press the **Wand Release** button until it clicks, then pull up on wand to detach from the floor nozzle.

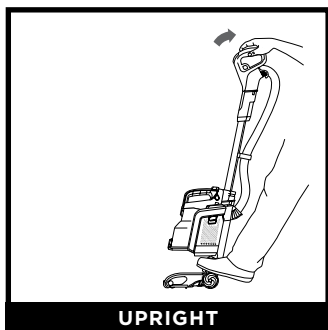


DETACH THE HANDLE

Pull the **Handle Release** trigger to detach the handle from the wand.

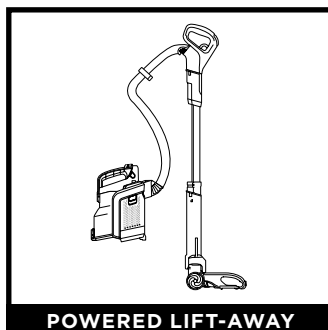
OPERATING THE VACUUM

VERSATILE FLOOR-TO-CEILING CLEANING



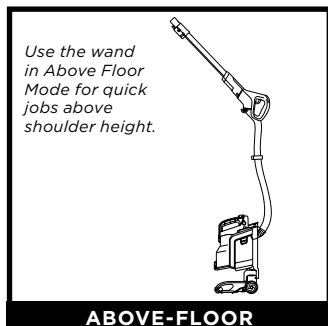
UPRIGHT

For cleaning carpets and hard floors. To activate brushroll, step on floor nozzle and tilt handle back.



POWERED LIFT-AWAY

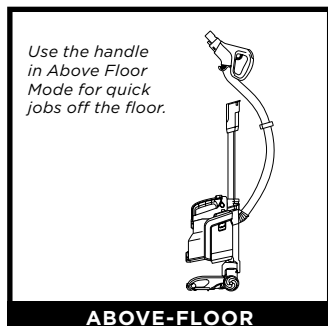
Use Powered Lift-Away to reach under furniture to clean carpets and hard floors.



Use the wand in Above Floor Mode for quick jobs above shoulder height.

ABOVE-FLOOR

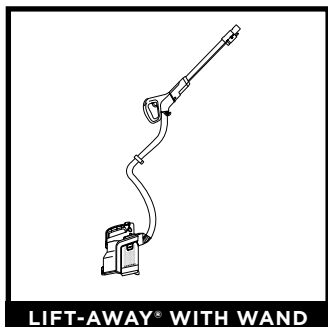
With pod attached, detach the wand from the floor nozzle.



Use the handle in Above Floor Mode for quick jobs off the floor.

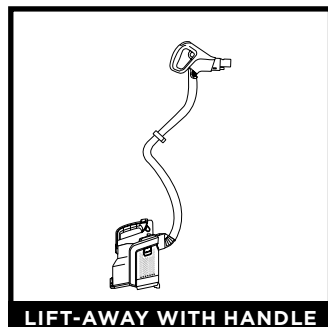
ABOVE-FLOOR

With pod attached, detach the handle from the wand.



LIFT-AWAY[®] WITH WAND

Use the wand in Lift-Away mode for more reach when cleaning above-floor areas like coving or skirting boards.

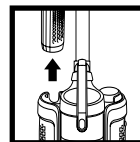


LIFT-AWAY WITH HANDLE

Use the handle in Lift-Away mode for more detailed cleaning of above-floor areas like upholstery, window sills or stairs.

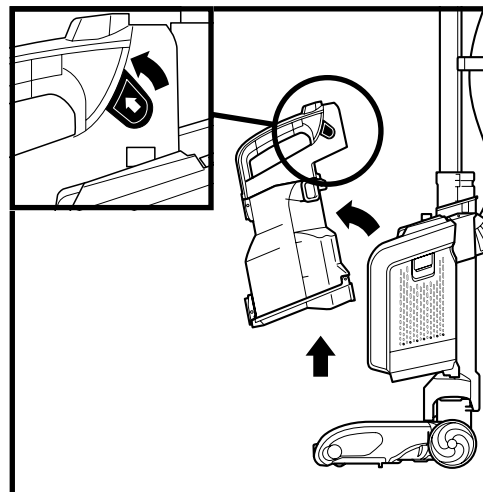
NOTE: See previous page for instructions on how to detach the pod, wand and handle.

MAINTENANCE

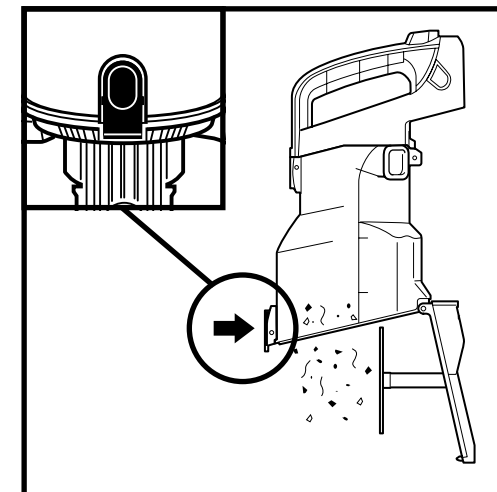


IMPORTANT: Remove the battery before performing any maintenance. To remove, lift the handle on top of the battery and pull up.

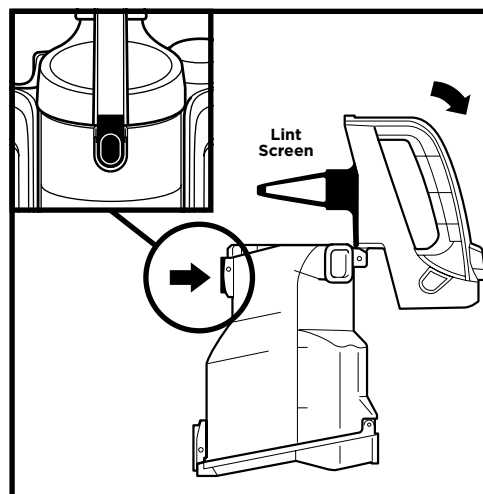
EMPTYING THE DUST CUP



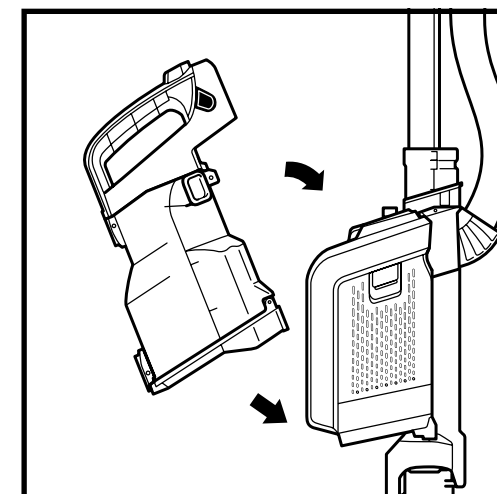
To remove **Dust Cup**, pinch and pull side tabs. Tilt dust cup away from the vacuum cleaner, then lift to remove.



Press lower button to open bottom of dust cup.



To remove collected debris from **Lint Screen**, press top button and tilt dust cup toward the wand until it clicks into place.



To reinstall dust cup, place bottom into pod and then tilt dust cup toward the wand until it clicks into place.

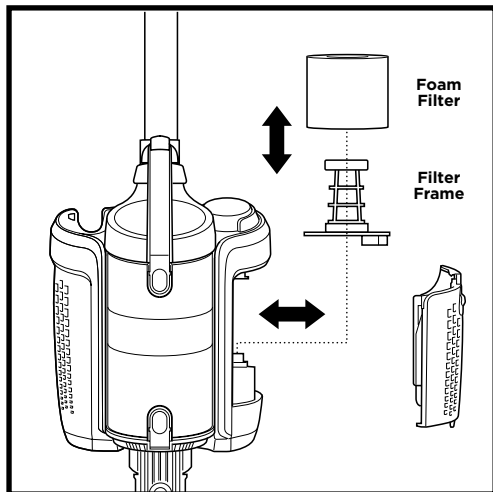
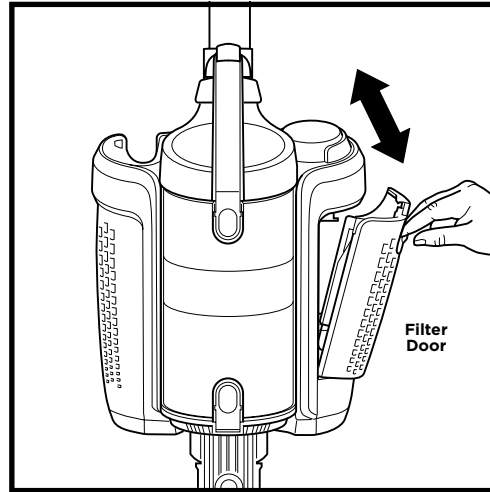
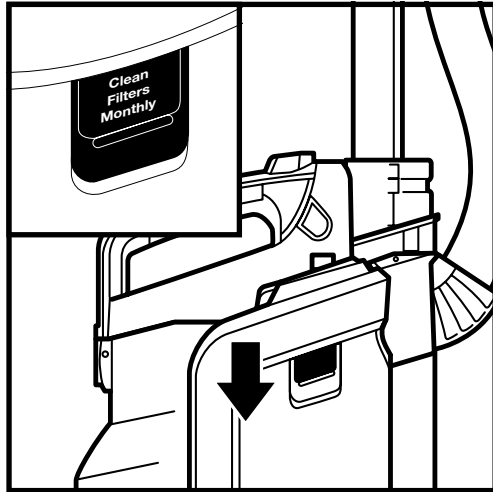
MAINTENANCE

Your vacuum comes equipped with three filters located on the vacuum pod: two pre-motor filters (one is a filter frame) and one HEPA filter to capture and trap dust and debris.

CLEANING PRE-MOTOR FILTER (ONCE A MONTH)

Perform regular maintenance on your filters to keep your vacuum's suction power optimal.

IMPORTANT: To prevent damage, rinse filters with lukewarm water **ONLY. DO NOT** use soap. Allow filters to air-dry for at least 24 hours before replacing them in the vacuum to prevent liquid from being drawn into electric parts.



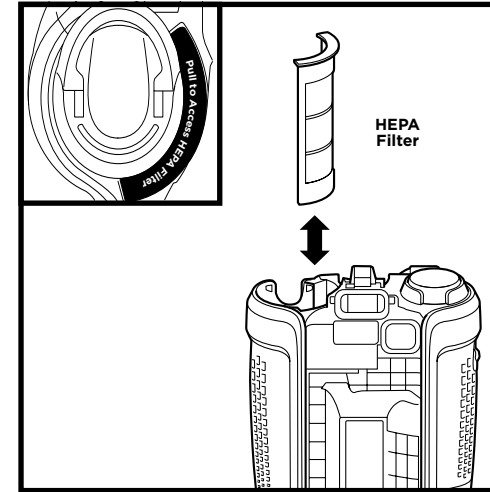
1. Slide down **filter door** release button.
2. Tilt filter door and lift off.
3. Remove filter from pod. Pull off foam filter.
4. Rinse foam filter and filter frame with lukewarm water **ONLY** and leave to air-dry for at least 24 hours before reinstalling.
5. Once completely dry, reinsert foam filter on filter frame.
6. Holding the pull tabs, push the filter back into the pod.
7. Reinsert bottom of filter door into slots on pod. Tilt door to close, pressing until it clicks into place.

MAINTENANCE

CLEANING HEPA FILTER (ONCE A YEAR)

Perform maintenance on your HEPA filter once a year to keep your vacuum's suction power optimal.

IMPORTANT: Rinse **HEPA Filter** with lukewarm water **ONLY. DO NOT** use soap. Allow to air-dry for at least 24 hours before reinstalling. **DO NOT** scrub **HEPA Filter**.

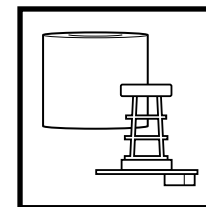


1. Pull up on **HEPA Filter** access tab to remove.
2. Rinse filter with lukewarm water **ONLY** and leave to air-dry at least 24 hours before reinstalling.
3. When dry, reinsert **HEPA Filter** and press down until it clicks into place.

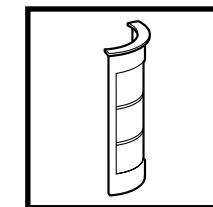
Note: Battery must be removed before **HEPA Filter** can be removed.

REPLACING FILTERS

Follow the previous instructions for removing filters. The **Foam Filter** should be replaced every 2.5 years, and the **HEPA Filter** should be replaced every 3 years, subject to frequency of use.



Replacement Pre-Motor Filter and Frame



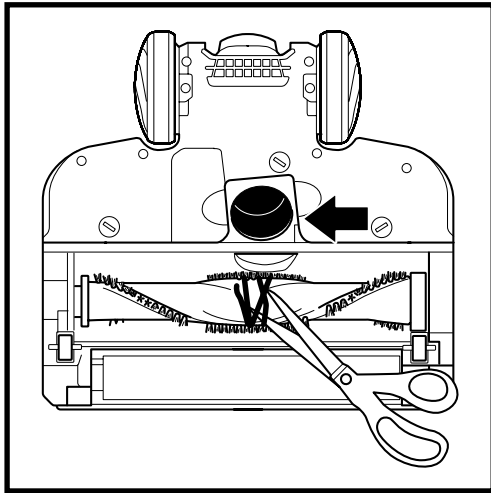
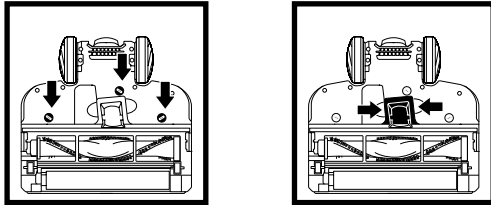
Replacement HEPA Filter

NOTE: To order replacement parts and filters, visit sharkclean.eu.

MAINTENANCE

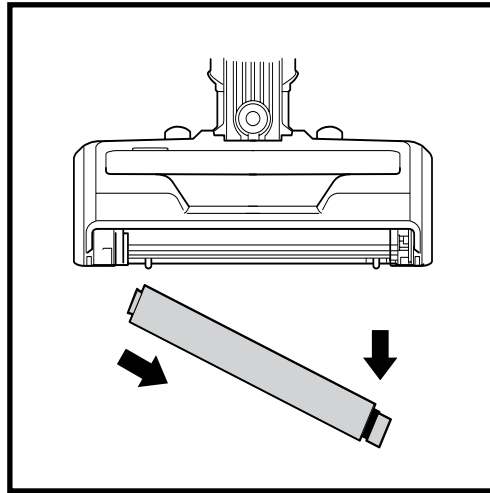
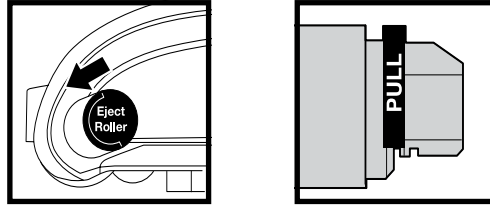
CLEANING OR REPLACING BRUSHROLLS

BRUSHROLL



1. Using a coin, turn locks anti-clockwise to open, then lift off cover to access **Brushroll**.
2. Use scissors to cut along the groove in the Brushroll to remove any string, hair or debris taking care not to cut the brushroll bristles.
3. Check for blockages in **Debris Intake**.
4. Replace cover and turn locks clockwise to close.

SOFT ROLLER



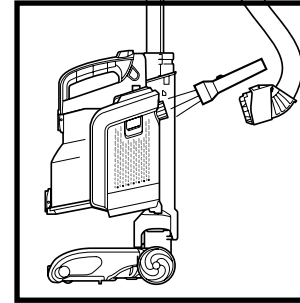
1. Slide **Eject Roller** button forward.
2. To remove **Soft Roller**, pull the tab on the right.
3. Tap loose debris off the Soft Roller. Use a dry towel to wipe clean, or to remove any hair or fibres caught in the teeth behind the Soft Roller.
4. Rinse as needed. Use **ONLY** lukewarm water, and leave to air-dry completely for at least 24 hours.
5. When dry, insert the left end of the roller first, then push the right end into place with the word **Front** facing forward.

NOTE: To order replacement parts and filters, visit sharkclean.eu.

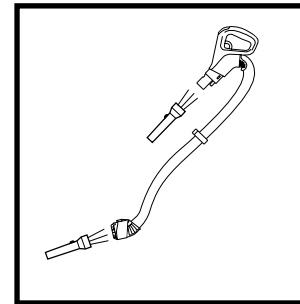
MAINTENANCE

CHECKING FOR BLOCKAGES

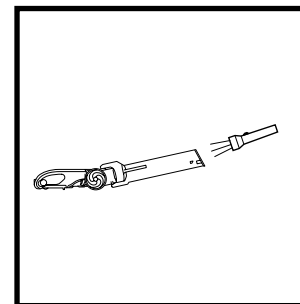
IMPORTANT: DO NOT use sharp or metal objects to clear blockages.



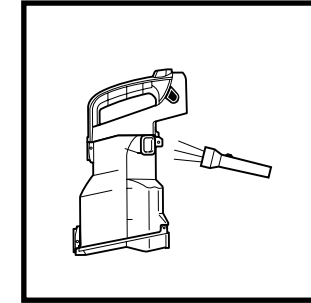
Detach hose from vacuum pod, and check opening on back of pod for blockages.



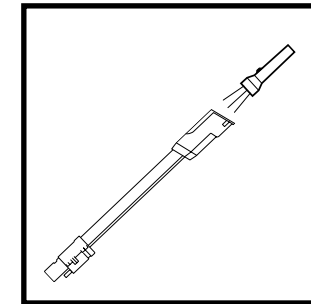
Detach handle from wand and hose from the vacuum pod, and check openings for blockages.



Detach wand from floor nozzle, tilt nozzle neck back, and check opening for blockages.



Detach dust cup from vacuum pod. Empty dust cup, remove debris from lint screen, and check for blockages.

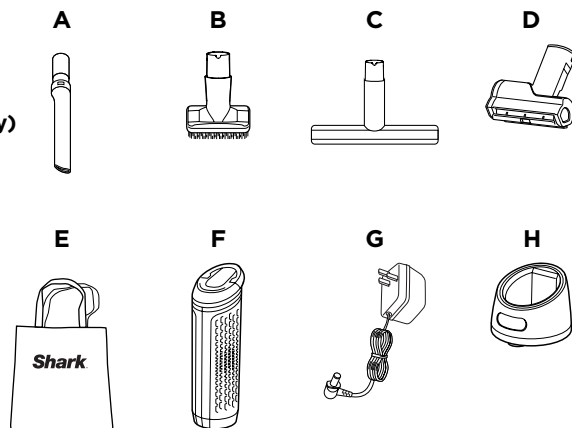


Detach wand from floor nozzle and handle, and check both ends of wand for blockages.

NOTE: Turn off vacuum and remove battery before checking for blockages

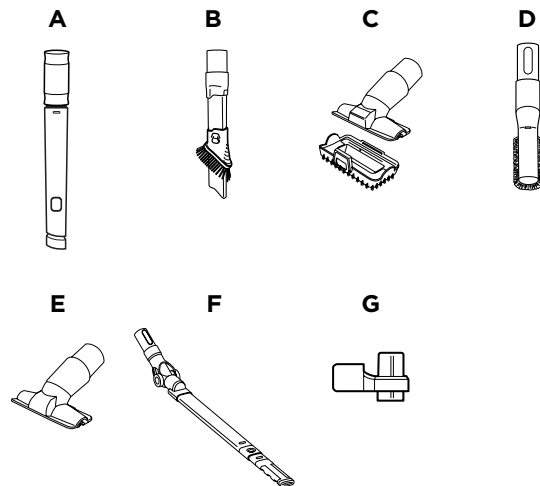
ACCESSORIES INCLUDED

- A** Crevice Tool
- B** Dusting Brush
- C** Wide Upholstery Tool
- D** Motorised Pet Tool (certain models only)
- E** Accessory Bag
- F** Lithium-Ion Battery
- G** Charging Cord
- H** Battery Charging Cradle



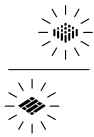


ADDITIONAL ACCESSORIES

- A** Flexi Crevice Tool
- B** 2in1 Duster Crevice Tool
- C** Pet Multi-Tool
- D** Anti-Allergen Dust Brush
- E** Upholstery Tool
- F** Under Appliance Wand
- G** Onboard Storage Clip



NOTE: Not all accessories come with all units. Please see the top flap of your box for your unit's configuration. To order additional accessories, visit sharkclean.eu.

TROUBLESHOOTING

| LIGHT INDICATOR | WHAT IT MEANS |
|--|---|
|  <p>FLOOR and CARPET LEDs flash together</p> | Blockage detected. Turn off unit and remove blockage. |
|  <p>BOOST LED flashes</p> | Unit temperature is high. Turn off vacuum and wait for approx. 45 minutes. While unit is cooling, look for blockages and remove any that are found. Filters may also need to be cleaned. See Maintenance Section. |
|  <p>FIRST and THIRD BATTERY INDICATOR LEDS flash alternately</p> | Battery temperature is not optimal, so charging is temporarily paused. Leave battery plugged in and charging will resume soon. |

BATTERY REMOVAL AND DISPOSAL

This product uses a lithium-ion rechargeable and recyclable battery. When the battery no longer holds a charge, it should be removed from the vacuum and recycled. **DO NOT** incinerate or compost the battery.

When your lithium-ion battery needs to be replaced, dispose of it or recycle it in accordance with local ordinances or regulations. In some areas, it is illegal to place spent lithium-ion batteries in the bin or in a municipal solid waste stream. Return spent battery to an authorised recycling centre or to retailer for recycling. Contact your local recycling centre for information on where to drop off the spent battery.

TROUBLESHOOTING

Vacuum is not picking up debris. No suction or light suction.

- Ensure handle, hose, dust cup, and wand are all securely connected onto the unit.
- Check filters to see if they need cleaning. Follow instructions for rinsing and completely air-drying the filters before reinserting them in the vacuum.
- Dust cup may be full; empty dust cup.
- Check wand, hose, hose connections, nozzle and accessories for blockages; clear blockages if required.
- Check floor nozzle for blockages; clear blockages if required.
- Remove any string, carpet fibres, or hair that may be wrapped around the brushroll and Soft Roller or trapped behind the Soft Roller.

Vacuum lifts rugs.

- Turn off vacuum, and move it away from any obstruction. Turn on vacuum and tilt handle back to activate brushroll.
- Check that vacuum is in **Extended Runtime** mode and/or try **Floor** mode.
- Turn off the unit to disengage the brushroll and restart with the Power button.

Brushroll/Soft Roller does not spin.

- If **Brushroll Indicator Light** on the floor nozzle turns red, the brushroll and/or Soft Roller have stopped spinning. Immediately turn off and remove battery from vacuum pod and remove blockage before reconnecting and turning vacuum back on. If light turns green, the blockage has been successfully cleared.
- If headlights are not illuminated, there is a connection issue between the hose, pod, wand, and nozzle. Try disconnecting the pieces and then reconnecting them, sliding in each one until it clicks securely into place. If the headlights still do not illuminate, please contact Customer Service on 0800 682 0453.

Vacuum turns off on its own or will not turn on.

There are several possible reasons for the vacuum cleaner turning off on its own, including blockages, battery issues, and overheating. If the vacuum cleaner turns off on its own, perform the following steps:

1. Check battery indicator lights to see if battery needs to be recharged. If it does not need charging, turn off the vacuum cleaner and remove battery.
2. Empty dust cup and clean filters.
3. Check wand, accessories, and inlet openings and remove any blockages.
4. Allow unit and battery to cool for at least 45 minutes, until it returns to room temperature.
5. Return battery to vacuum and press Power button.

Dust cup will not latch onto unit:

- The dust cup will not latch if the pod is not inserted properly onto the unit. Align the bottom of pod onto the rails on the front of the neck of the floor nozzle. Slide pod down the rails until it clicks into place.

Battery not charging.

- Batteries outside of optimal temperature range may not begin charging immediately. Move to room temperature area and/or allow battery to cool before charging.
- Please review battery runtimes in the Operating the Vacuum section.
- When charging with the cradle, ensure battery is pressed all the way down onto cradle and that charge indicator lights illuminate.
- Battery life expectancy is at least two years and comes with a two-year limited guarantee. New battery packs can be purchased at sharkclean.eu
- When charging with the cradle ensure the charger is inserted and then rotated to lock it into place. Battery will not charge unless the charger is locked into place.

Battery not inserting into vacuum.

- Make sure handle is down before pushing battery securely into place.
- Make sure HEPA filter is securely clicked into place prior to inserting the battery.

For all other issues, please contact Customer Service on 0800 862 0453.

Shark | NINJA

FIVE (5) YEAR LIMITED GUARANTEE

When a consumer buys a product in the UK, they get the benefit of legal rights relating to the quality of the product (your "statutory rights"). You can enforce these rights against your retailer. However, at Shark we are so confident about the quality of our products that we give you an additional manufacturer's guarantee of up to five years. (1 year as standard plus 4 years when you register) These terms and conditions relate to our manufacturer's guarantee only – your statutory rights are unaffected. Please note that the 5 year guarantee is available in all EU countries and in the UK if it stops being an EU country during the guarantee term.

The conditions below describe the prerequisites and scope of our guarantee. They do not affect your statutory rights or the obligations of your retailer and your contract with them.

The Lithium-Ion Battery pack is not covered by the 5 year guarantee (see battery guarantee on next page)

Shark® Guarantees

A household appliance like a vacuum cleaner constitutes a sizeable investment. Your new machine needs to work properly for as long as possible. The guarantee it comes with is an important consideration - and reflects how much confidence the manufacturer has in its product and manufacturing quality.

Every Shark machine comes with a free parts and labour guarantee. Our customer service helpline (0800 862 0453) is open from 9.00am to 6.00pm Monday - Friday. It's free to call, and you'll be put straight through to a Shark representative. You'll also find online support at www.sharkclean.eu/uk.

How do I register my extended Shark® guarantee?

You can register your guarantee online within 28 days of purchase. To save time, you'll need the following information about your machine:

- Model no.
- Serial Number (only if available)
- Date you purchased the machine (receipt or delivery note)

To register online, please visit www.sharkclean.eu/uk/register-guarantee

IMPORTANT

- The manufacturer's guarantee covers your product for 12 months (or for 5 years, if registered) starting on the date of purchase.
- Please keep your receipt at all times. Should you need to use your guarantee we will need your receipt to verify the information you have supplied to us is correct. The inability to produce a valid receipt may invalidate your guarantee.

What are the benefits of registering my free Shark guarantee?

When you register your guarantee you can choose to receive our newsletter containing tips, advice and competitions. Hear the latest news about new Shark technology and launches. If you register your guarantee online, you'll get instant confirmation that we've received your details.

How long are new Shark machines guaranteed for?

Our confidence in our design and quality control means that your new Shark vacuum cleaner is guaranteed for a total of five years (12 months plus an extended guarantee of 4 years).

What is covered by the free Shark guarantee?

Repair or replacement of your Shark machine (at Shark's discretion), including all parts and labour. A Shark guarantee is in addition to your legal rights as a consumer.

What is not covered by the free Shark guarantee?

1. Blockages – For details of how to unblock your vacuum cleaner, please refer to the Operating Manual.
2. Normal wear and tear such as brush bar, fuse, belt, batteries, hose etc.
3. Accidental damage, faults caused by negligent use or care, misuse, neglect, careless operation or handling of the vacuum cleaner which is not in accordance with the Shark Operating Manual supplied with your machine.
4. Use of the vacuum cleaner for anything other than normal domestic household purposes.
5. Use of parts not assembled or installed in accordance with the operating instructions.
6. Use of parts and accessories which are not Shark spares.
7. Faulty installation (except where installed by Shark).
8. Repairs or alterations carried out by parties other than Shark or its agents.
9. The Lithium ION battery. Please see next page for battery guarantee.

What happens when my guarantee runs out?

Shark does not design products to last for a limited time. We do appreciate that there may be a desire for our customers to want to repair their vacuum cleaners after the guarantee has elapsed. In this case please contact our free phone customer service help line and ask about our guarantee program, on 0800 862 0453.

Where can I buy genuine Shark spares and accessories?

Shark spares and accessories are developed by the same engineers who developed your Shark vacuum. You'll find a full range of Shark spares, replacement parts and accessories for all Shark machines at www.sharkclean.eu.

Please remember that using non-Shark spares may invalidate our manufacturer's guarantee. However your statutory rights are unaffected.

TWO (2) YEAR LIMITED BATTERY GUARANTEE

When a consumer buys a product in the UK, they get the benefit of legal rights relating to the quality of the product (your "statutory rights"). You can enforce these rights against your retailer. However, at Shark we are so confident about the quality of our products that we give you an additional manufacturer's battery guarantee of up to two years. (1 year as standard plus 1 year when you register) These terms and conditions relate to our manufacturer's battery guarantee only – your statutory rights are unaffected. Please note that the 2 year guarantee is available in all EU countries and in the UK if it stops being an EU country during the guarantee term.

The conditions below describe the prerequisites and scope of our guarantee. They do not affect your statutory rights or the obligations of your retailer and your contract with them.

Shark® Guarantees

Our customer service helpline (0800 862 0453) is open from 9.00am to 6.00pm Monday - Friday. It's free to call, and you'll be put straight through to a Shark representative. You'll also find online support at www.sharkclean.eu/uk.

How do I register my extended Shark® guarantee?

You can register your guarantee online within 28 days of purchase. To save time, you'll need the following information about your machine:

- Model no.
- Serial Number (only if available)
- Date you purchased the machine (receipt or delivery note)

To register online, please visit www.sharkclean.eu/uk/register-guarantee

IMPORTANT

- The manufacturer's guarantee covers your battery for 12 months (or for 2 years, if registered) starting on the date of purchase.
- Please keep your receipt at all times. Should you need to use your guarantee we will need your receipt to verify the information you have supplied to us is correct. The inability to produce a valid receipt may invalidate your guarantee.

What are the benefits of registering my free Shark guarantee?

When you register your guarantee we'll have your details to hand if we ever need to get in touch. You can also receive tips and advice on how to get the best out of your Shark vacuum and hear the latest news about new Shark technology and launches. If you register your guarantee online, you'll get instant confirmation that we've received your details.

How long are new Shark Lithium-Ion batteries guaranteed for?

Our confidence in our design and quality control means that the battery in your new Shark vacuum cleaner is guaranteed for a total of 2 years (12 months plus an extended guarantee of 1 year).

What is covered in my guarantee?

1. The original Lithium-Ion Battery, in Shark's sole discretion, will be replaced for up to 2 years from the original purchase date.
2. In the rare event that a replacement battery is issued, the warranty coverage for the replacement battery ends six months following the receipt date of the replacement battery or the remainder of the existing guarantee, whichever is later.

What is not covered by the free Shark guarantee?

1. Normal wear and tear of Lithium-Ion Battery, within the temperature range set out under the safety instructions section.
2. Any battery that has been tampered with or used for commercial purposes.
3. Damage caused by misuse, abuse, use of the vacuum outside of the approved temperature range, or careless handling, or damage due to mishandling in transit.
4. Injury or damage caused to people or things other than the battery itself.
5. Faulty installation (except where installed by Shark).
6. Repairs or alterations carried out by parties other than Shark or its agents.

Problems with your battery

If your Lithium-Ion battery fails to operate properly while in use under normal household conditions within the guarantee period, please call our freephone customer service helpline on 0800 862 0453 for product help and support.

Where can I buy genuine Shark spares and accessories?

Shark spares and accessories are developed by the same engineers who developed your Shark vacuum. You'll find a full range of Shark spares, replacement parts and accessories for all Shark machines at www.sharkclean.eu. Please remember that using non-Shark spares may invalidate your guarantee.

REGISTER YOUR PURCHASE



registermyshark.com



0800 862 0453



RECORD THIS INFORMATION

Model Number: _____

Date Code: _____

Date of Purchase: _____

(Keep receipt)

Store of Purchase: _____

TIP: You can find the model and serial numbers on the QR code label which is located on the bottom of the back of the vacuum pod and battery.

TECHNICAL SPECIFICATIONS

Voltage: 28.8V

Watts: 260W

Amps: 9A

PLEASE READ CAREFULLY AND KEEP FOR FUTURE REFERENCE.

These instructions are designed to help you keep your Shark vacuum cleaner running at peak performance. If you should have a question, please call the Customer Service line at 0800 862 0453.

Euro-Pro Europe Ltd
Unit 15 Mariner Court
Calder Business Park
Wakefield, West Yorkshire, UK
0800 862 0453
sharkclean.eu

Illustrations may differ from actual product. We are constantly striving to improve our products; therefore the specifications contained herein are subject to change without notice.

Shark®

© 2018 SharkNinja Operating LLC. SHARK is a registered trademark of SharkNinja Operating LLC. DUOCLEAN, POWERED LIFT-AWAY and LIFT-AWAY are trademarks of Euro-Pro Europe Ltd.

IC160UK_Series_IB_E_MP_180702_Mv3
PRINTED IN CHINA