

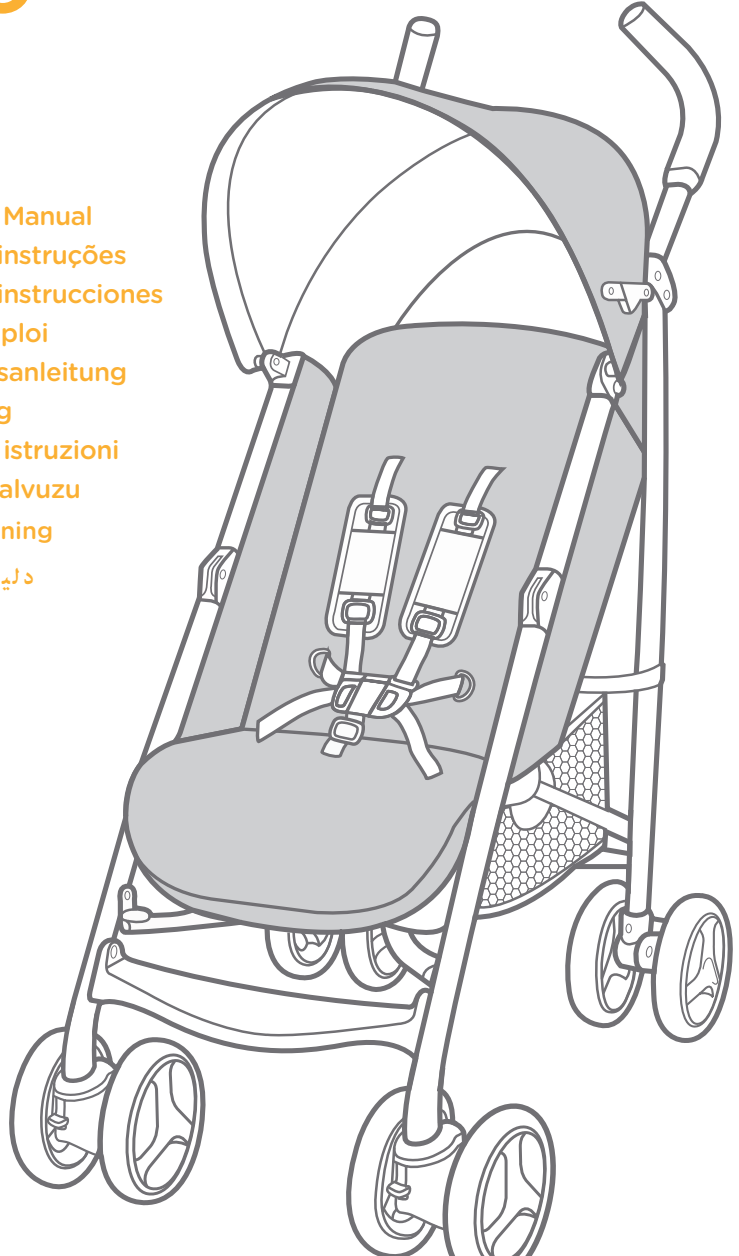
# Joie™

birth to 15kg/birth - 36 months

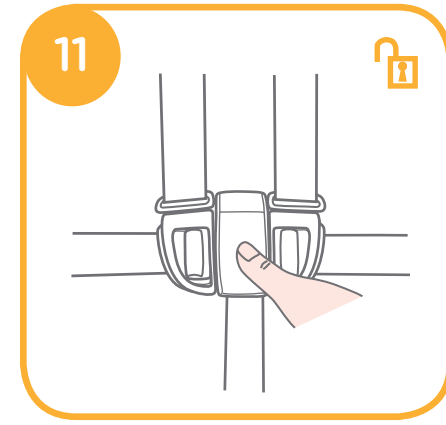
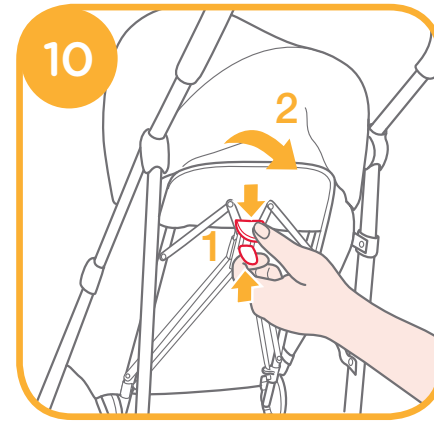
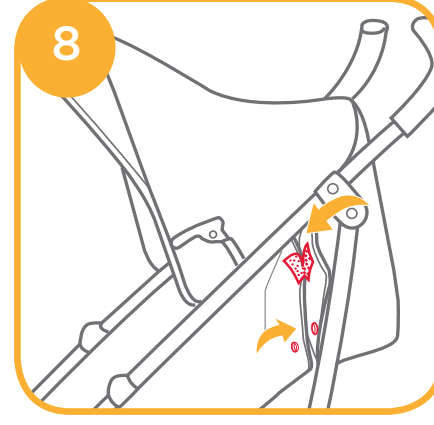
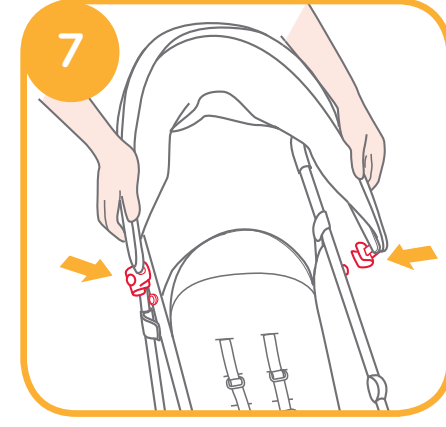
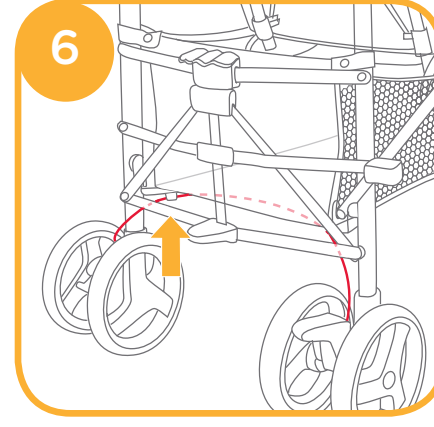
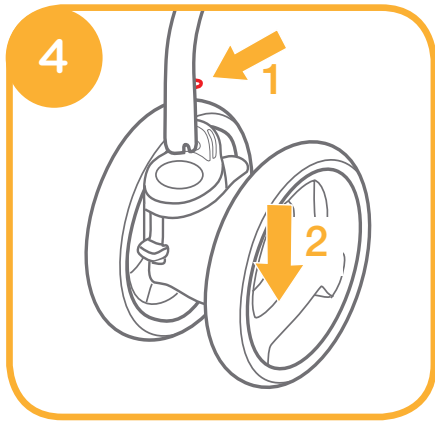
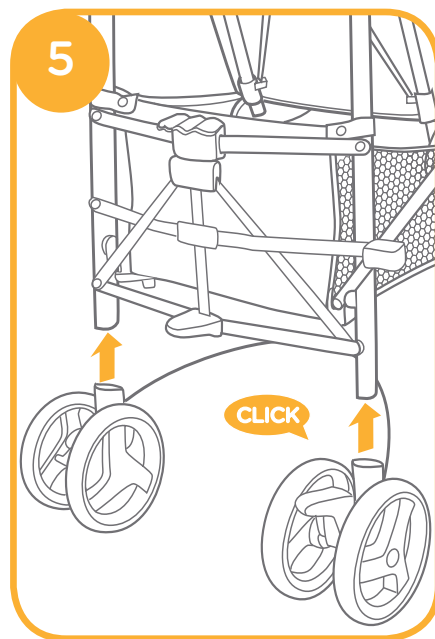
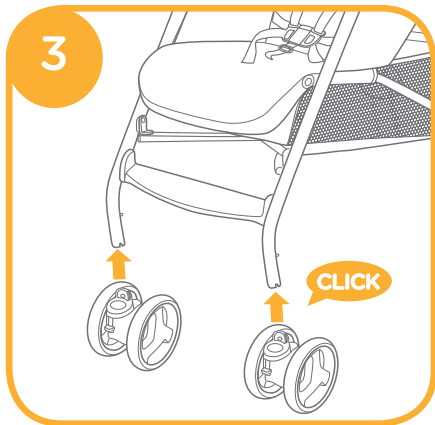
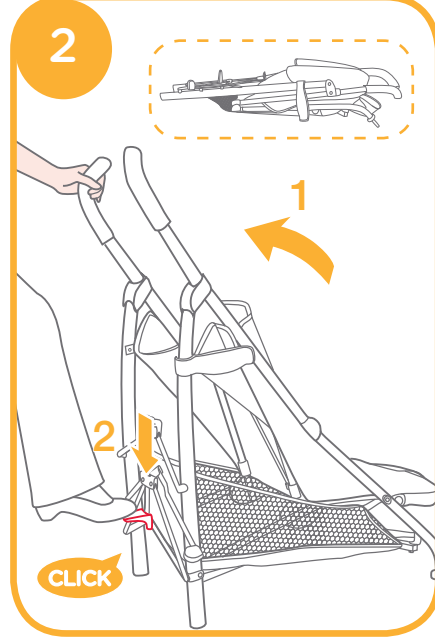
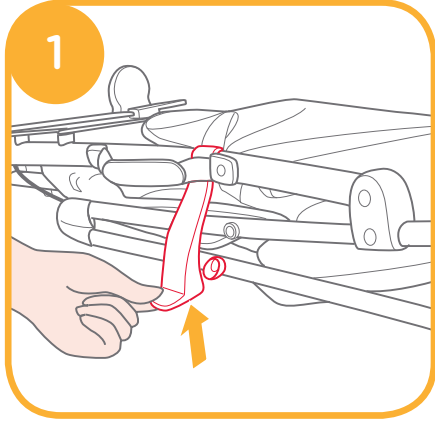
## nitro™

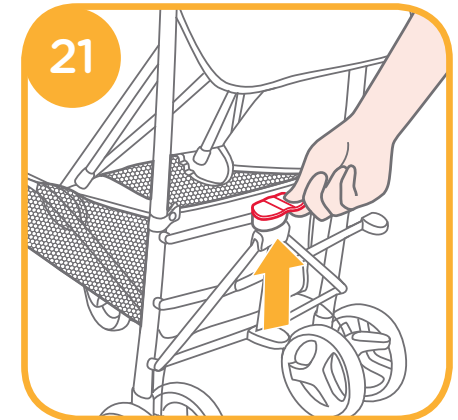
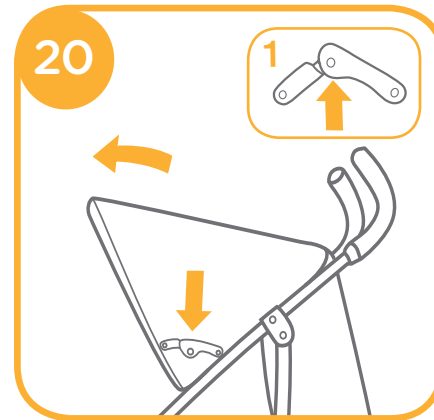
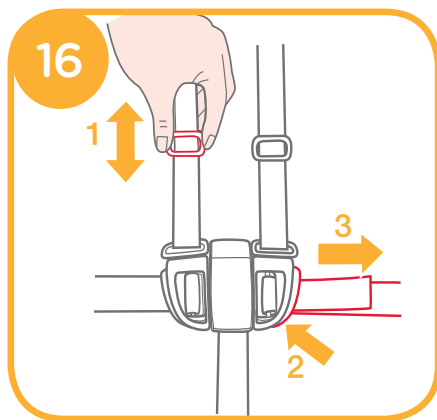
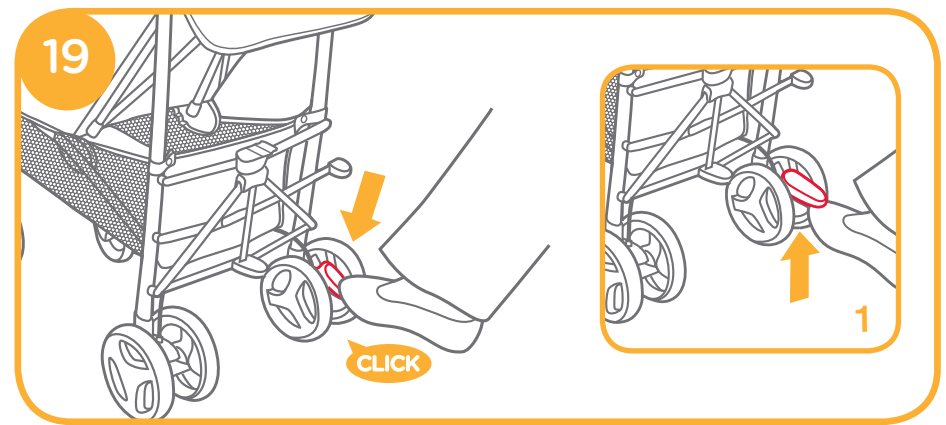
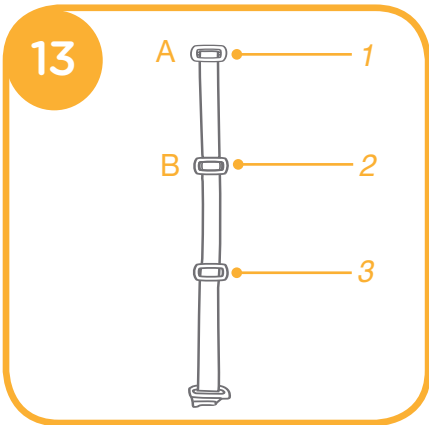
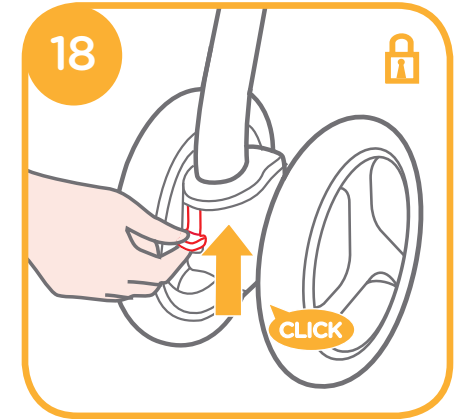
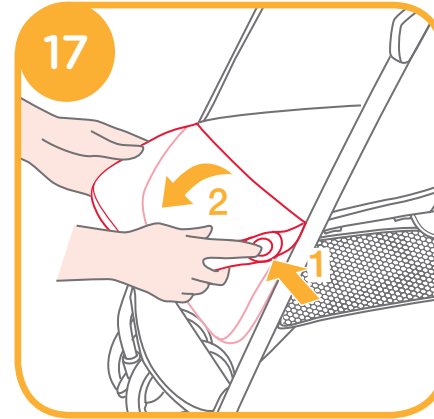
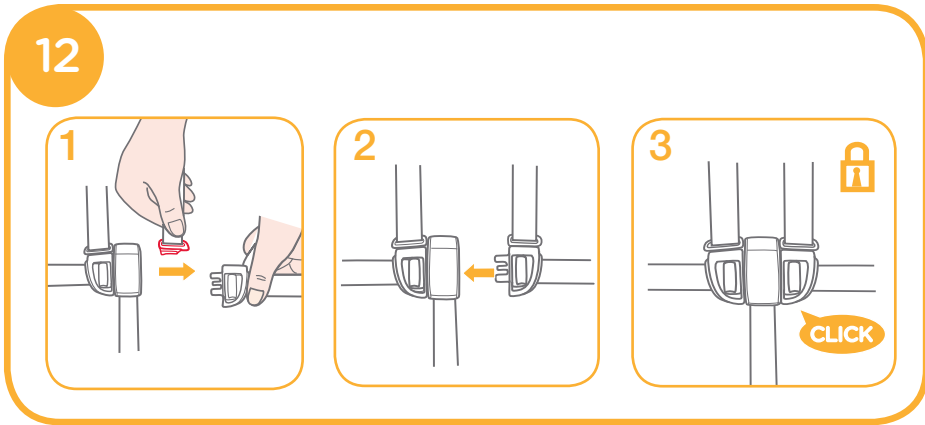
### stroller

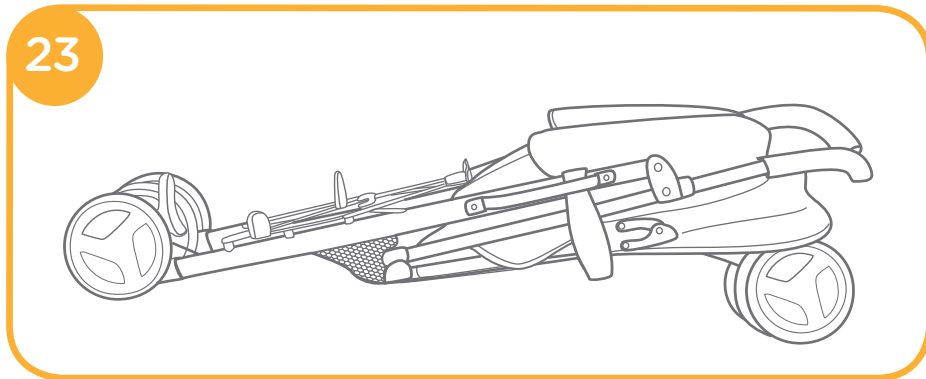
- GB Instruction Manual
- PT Manual de instruções
- ES Manual de instrucciones
- FR Mode d'emploi
- DE Bedienungsanleitung
- NL Handleiding
- IT Manuale di istruzioni
- TR Kullanma kalvuzu
- DA Brugsvejledning
- AR دليل التعليمات



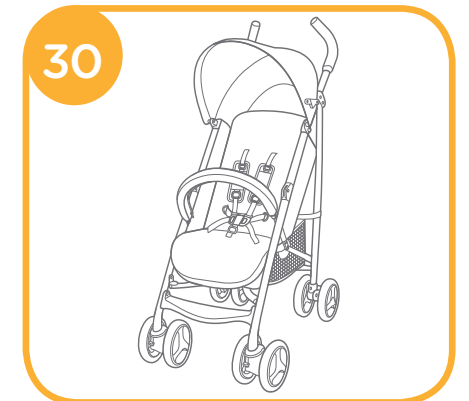
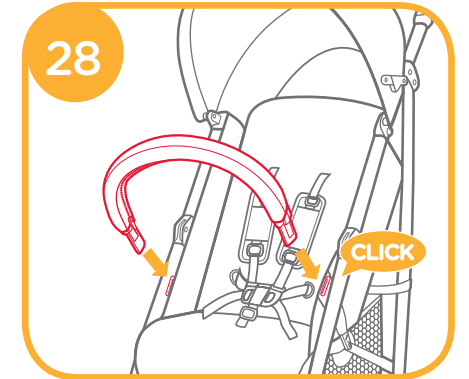
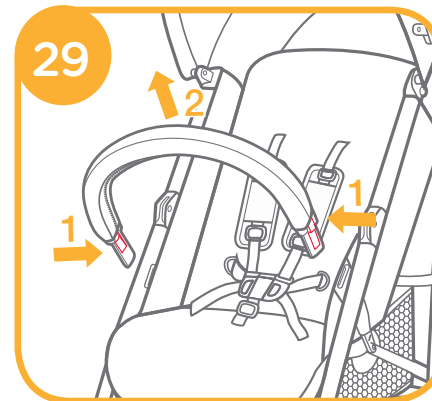
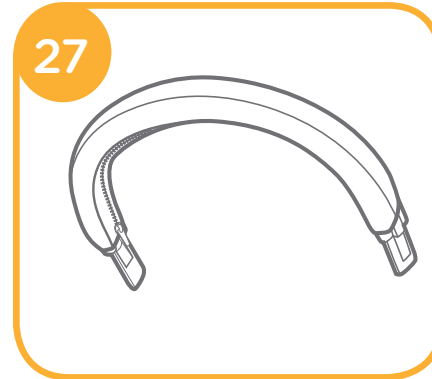
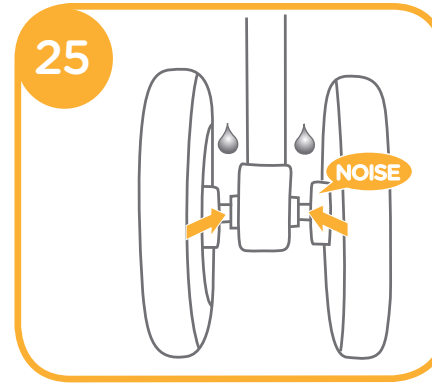
# IMPORTANT - KEEP THESE INSTRUCTIONS FOR FUTURE REFERENCE.







**Accessories**  
(not included in purchase)



Congratulations on becoming part of the Joie family! We are so excited to be part of your journey with your little one. While traveling with the Joie Nitro™, you are using a high quality, fully certified stroller, approved to European safety standards EN 1888:2012. This product is suitable for use with children weighing under 15kg. Please carefully read this manual and follow each step to ensure a comfortable ride and best protection for your child.

**IMPORTANT - Keep these instructions for future reference.**

Visit us at [joiebaby.com](http://joiebaby.com) to download manuals and see more exciting Joie products!

For warranty information, please visit our website at [joiebaby.com](http://joiebaby.com)

**Contents**

|                                |           |
|--------------------------------|-----------|
| Figures                        | 1-6       |
| Product Information            | 8         |
| Parts List                     | 8         |
| WARNING                        | 9-10      |
| <b>Stroller Assembly</b>       | <b>10</b> |
| Open Stroller                  | 10        |
| Assemble Front Wheels          | 10        |
| Assemble Rear Wheels           | 10        |
| Assemble Hood                  | 10        |
| <b>Stroller Operation</b>      | <b>11</b> |
| Adjust Recline                 | 11        |
| Use Buckle                     | 11        |
| Use Shoulder & Waist Harnesses | 11        |
| Adjust Calf Support            | 11        |
| Use Front Swivel Lock          | 11        |
| Use Brake                      | 12        |
| Use Hood                       | 12        |
| Fold Stroller                  | 12        |
| Use Carry Strap                | 12        |
| Accessories                    | 12        |
| Care and Maintenance           | 12        |

**Emergency**

In case of emergency or accident, it is most important to have your child taken care of with first aid and medical treatment immediately.

**Product Information**

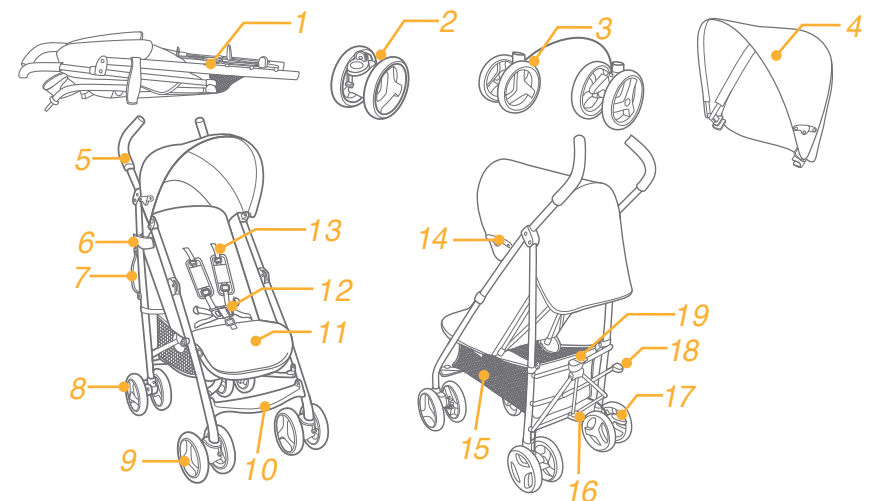
Read all the instructions in this manual before using this product. If you have any further questions, please consult the retailer. Some features may vary depending on model.

|                     |   |
|---------------------|---|
| <b>Product</b>      | <b>Nitro Stroller</b>   |
| <b>Suitable for</b> | <b>Child weighing under 15kg (birth - 36 months)</b>          |
| <b>Materials</b>    | <b>Plastics, metal, fabrics</b>                               |
| <b>Patent No.</b>   | <b>Patents pending</b>  |
| <b>Made in</b>      | <b>China</b>  |
| <b>Brand Name</b>   | <b>Joie</b>   |
| <b>Website</b>      | <b><a href="http://www.joiebaby.com">www.joiebaby.com</a></b> |
| <b>Manufacturer</b> | <b>Allison Baby UK Ltd</b>                                    |

**Parts List**

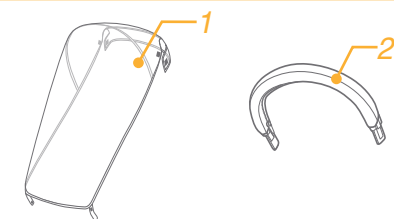
Make sure all parts are available before assembly. If any part is missing, please contact local retailer. No tools are required for assembly.

- |                    |                 |                   |                  |
|--------------------|-----------------|-------------------|------------------|
| 1 Stroller Frame   | 6 Storage Latch | 11 Calf Support   | 16 Foot Plate    |
| 2 Front Wheel (x2) | 7 Carry Strap   | 12 Buckle         | 17 Brake Lever   |
| 3 Rear Wheels      | 8 Rear Wheel    | 13 Safety Harness | 18 Folding Pedal |
| 4 Hood             | 9 Front Wheel   | 14 Hood Stretcher | 19 Folding Plate |
| 5 Handle           | 10 Footrest     | 15 Storage Basket |                  |



**Accessories (Non-included)**

- 1 Rain Cover (on certain models)
- 2 Armbar Cover (on certain models)



## WARNING

- ! WARNING Always use the restraint system.
- ! WARNING Always use the crotch combination with the waist belt. The shoulder harnesses should be used as well.
- ! WARNING Ensure that all the locking devices are engaged before use.
- ! WARNING Do not let your child play with this product.
- ! Adult assembly required.
- ! Use the stroller with a child weighing less than 15kg. It will cause damage to the stroller with an unfitted child.
- ! To prevent a hazardous, unstable condition, do not place more than 4.5kg in the storage basket.
- ! WARNING! Never leave your child unattended. Always keep child in view while in stroller.
- ! Use the stroller with only one child at a time. Never place purses, shopping bags, parcels or accessory items on the handle or hood.
- ! Overloading, folding incorrectly, or using component parts from other manufacturers may cause the stroller to be damaged, broken or unsafe. Please read the instruction manual carefully.
- ! Never use accessories, parts or components not produced or approved by the manufacturer. Please read the instruction manual carefully.
- ! Only replacement parts supplied or recommended by the manufacturer / distributor shall be used.
- ! Safety belts and restraint systems must be used correctly.
- ! To avoid serious injury from falling or sliding out, always use seat belt.
- ! Make sure your child's body is clear from the moving parts when adjusting the stroller.
- ! Child may slip into leg openings and be strangled if the harness is not used.
- ! Never use stroller on stairs or escalators.
- ! Keep away from high temperature objects, liquids, and electronics.
- ! Never allow your child to stand on the stroller or sit in the stroller with head toward front of stroller.
- ! Never place the stroller on roads, slopes or dangerous areas.
- ! Do make sure all mechanisms are fixed before using the stroller.
- ! To avoid strangulation, DO NOT place items with a string around your child's neck, suspend strings from this product, or attach strings to toys.
- ! Any load attached to the handle and /or on the back of the backrest and / or on the sides of the vehicle will affect the stability of the vehicle.
- ! DO NOT lift stroller while child is in stroller.
- ! DO NOT use storage basket as a child carrier.
- ! To prevent tipping, never let child climb the stroller. Always lift the child in and out of the stroller.
- ! To avoid finger entrapment, use care when folding and unfolding the stroller.

- ! Be sure the stroller is fully open or folded before allowing child near the stroller.
- ! To ensure your child's safety, please make sure all parts are assembled and fastened properly before using the stroller.
- ! To avoid strangulation, do make sure your child is clear from the hood.
- ! Always engage the brakes when parking the stroller.
- ! Discontinue using stroller if it is damaged or broken.
- ! Stroller to be used only at walking speed. This product is not intended for use while jogging.
- ! To avoid suffocation, remove plastic bag and packaging materials before using this product. The plastic bag and packaging materials should then be kept away from babies and children.
- ! This product is not suitable for running or skating.
- ! Pushchair designed to be used from birth shall recommend the use of the most reclined position for new born babies.
- ! The parking device shall be engaged when placing and removing children.
- ! To avoid injury ensure that your child is kept away when unfolding and folding this product.
- ! Extra Care is needed if used on moving vehicles and child should not be left unattended, even with brakes engaged.

## Stroller Assembly

Please read all the instructions in this manual before assembling and using this product.

### Open Stroller

Separate storage latch from storage mount **1**, and then lift the handle upwards **2 - 1**, push the foot plate downwards with foot **2 - 2**, a click sound means the stroller is open completely.

- ! Check that the stroller is completely open before continuing.

### Assemble Front Wheels

Assemble front wheels to front legs. Check that wheels are securely attached by pulling on wheel assemblies. **3**  
To disassemble front wheel, detach front wheel from front leg **4 - 2** while pressing the release tabs outwards. **4 - 1**

### Assemble Rear Wheels

Assemble rear wheels to rear legs **5**. Check that wheels are securely attached by pulling on wheel assemblies. Snap the brake cable into the fixing tabs under square tubes to fix it. **6**

### Assemble Hood

Align the holes of the hood mounts with the posts on the tubes, and then insert to assemble the hood **7**, stick the hook and loop fasteners, snap the buttons to attach the rear hood to backrest. **8**  
The completely assembled stroller is shown as **9**

## Stroller Operation

### Adjust Recline

There are 5 angles for the backrest.

Squeeze the adjust button **10 - 1**, and then adjust the backrest to a desired angle. **10 - 2**

To raise the backrest, push up.

! Make sure the recline is set properly for use.

### Use Buckle

#### Release Buckle

Press the center button to release the buckle. **11**

#### Lock Buckle

Match the waist belt buckle with the shoulder buckle **12 - 1**, and click into the center buckle. **12 - 2**

A “click” sound means the buckle is locked completely. **12 - 3**

! To avoid serious injury from falling or sliding out, always secure your child with harness.

! Make sure your child is snugly secured. The space between the child and the shoulder harness is about the thickness of one hand.

! Do not cross the shoulder belts. This will cause pressure on child’s neck.

### Use Shoulder & Waist Harnesses

! In order to protect your child from falling out, after your child is placed into the seat, check whether the shoulder and waist harnesses are at proper height and length.

- 13 - 1** Shoulder harness anchor A
- 13 - 2** Shoulder harness anchor B
- 13 - 3** Slide adjuster

For larger child, use shoulder harness anchor A and the highest shoulder slots. For smaller child, use shoulder harness anchor B and the lowest shoulder slots.

To adjust the position of the shoulder harness anchor, turn the anchor to be level with the side facing forward. Thread it through the shoulder harness slot from back to front. **14** Rethread it through the slot that is closest to child’s shoulder height. **15**

Use slide adjuster to change the harness length. **16 - 1**

Press the button **16 - 2**, while pulling the waist harness to proper length. **16 - 3**

### Adjust Calf Support

The calf support has 2 positions.

Raise Calf Support

To raise the calf support, just push it upwards.

Lower Calf Support

Press the adjustment buttons on both sides of the calf support **17 - 1**, and rotate the calf support downwards.

**17 - 2**

### Use Front Swivel Lock

Push up the front swivel locks to maintain the moving direction. **18**

**Tip** It is recommended to use swivel locks on uneven surfaces.

### Use Brake

To lock wheels, step the brake lever downwards. **19**

To release wheels, just lift the brake lever upwards. **19 - 1**

**Tip** Always apply brake when stroller is in stopped position.

**Tip** Clean brake system regularly to ensure fully functional. See care and maintenance section.

**Tip** To ensure brake is fully on, gently rock the stroller backwards and forwards before releasing the handle.

### Use Hood

To open the hood, pull hood forwards and press stretchers down on both sides. **20**

To fold the hood, pull up the stretchers on both sides **20 - 1** and pull hood toward back.

### Fold Stroller

! Please fold the hood before folding the stroller.

Lift the folding plate **21**, step the folding pedal downwards **22 - 1**, push the stroller forward to fold **22 - 2**. The storage latch will automatically hook onto the storage mount, then the stroller is folded and locked completely. **23**

### Use Carry Strap

You can carry the stroller with ease by lifting the carry strap. **24**

### Accessories

Accessories may be sold separately or may not be available depending on region.

### Use Rain Cover

To assemble the rain cover, place it over the stroller, and then attach the 4 pairs of hook and loop fasteners on the rain cover. **26**

! When using the rain cover, please always check its ventilation.

! When not in use, please check that the rain cover has been cleaned and dried before folding.

! Do not fold the stroller after assembling the rain cover.

! Do not place your child into the stroller assembled with rain cover during hot weather.

### Use Armbar

see images **27 - 30**

## Care and Maintenance

! Removable seat pad may be washed in cold water and drip-dried. No bleach.

! To clean stroller frame, use only household soap and warm water. No bleach or detergent.

! From time to time, check your stroller for loose screws, worn parts, torn material or stitching. Replace or repair the parts as needed.

! Excessive exposure to sun or heat could cause fading or warping of parts.

! If stroller becomes wet, open hood and allow to dry thoroughly before storing.

! If wheels squeak, use a light oil (e.g., Silicon Spray, antirust oil, or sewing machine oil). It is important to get the oil into the axle and wheel assembly. **25**

! If brake pedal stiff/hard to fully engage, flush any debris from brake system with clean water first before lubricating.

! When using your stroller at the beach or areas of high dust/sand, completely clean your stroller after use to remove sand and salt from brake mechanisms and wheel assemblies.

# PT Bem-vindo a Joie™

Parabéns para sua integração na família Joie! Estamos felizes de ser perto de você na viagem de sua criança. Enquanto viajar com Joie Nitro™ você use um carrinho de alta qualidade, inteiramente certificado, aprovado pela normas de segurança europeias EN 1888:2012. Este produto é adequado para crianças com peso abaixo de 15 kg. Leia este manual e siga todos os passos para garantir uma viagem confortável e a melhor proteção para a sua criança.

## IMPORTANTE-Guardar estas instruções para referências futuras

Visite-nos a [joiebaby.com](http://joiebaby.com) para baixar manuais de instruções e para ver mais produtos Joie!

Para informações de garantia, visite nosso website em [joiebaby.com](http://joiebaby.com)

## Conteúdo

|   |       |
|---|-------|
| Figuras   | 1-6   |
| Informações sobre o produto                           | 14    |
| Lista de peças  | 14    |
| Avisos  | 15-16 |
| Montagem do carrinho                                  | 16    |
| Abertura do carrinho                                  | 16    |
| Montagem das rodas dianteiras                         | 16    |
| Montagem das rodas traseiras                          | 16    |
| Montagem do copertino                                 | 17    |
| Funcionamento do carrinho                             | 17    |
| Ajuste do ângulo do encosto                           | 17    |
| Utilização da fivela                                  | 17    |
| Utilização dos cintos de segurança                    | 17    |
| Ajuste do suporte                                     | 17    |
| Utilização do mecanismo de bloqueio da roda dianteira | 17    |
| Utilização do freio                                   | 18    |
| Utilização do copertino                               | 18    |
| Dobramento do carrinho                                | 18    |
| Utilização do cinto de transporte                     | 18    |
| Acessórios  | 18    |
| Cuidado e manutenção                                  | 18    |

## Emergências

Em caso de emergência ou acidente, o mais importante é cuidar da sua criança dando os primeiros socorros imediatos e tratamento médico.

## Informações sobre o produto

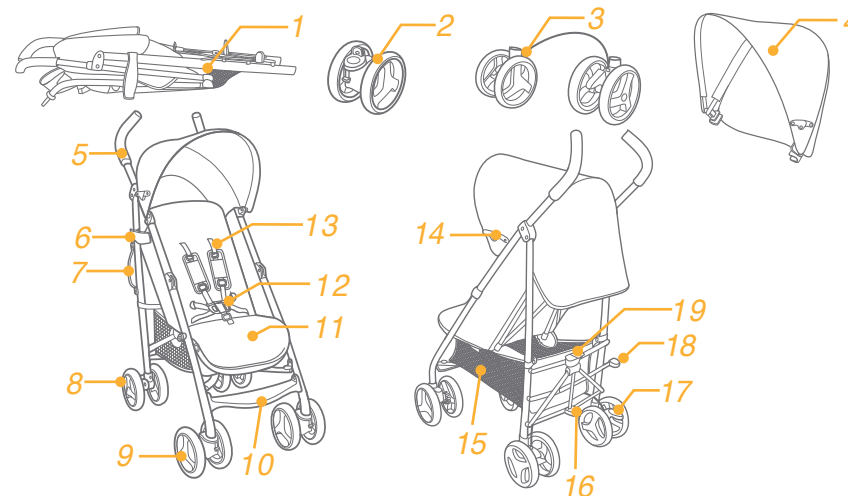
Leia todas as instruções deste manual antes de usar o produto. Se tiver perguntas ulteriores, contacte o seu distribuidor. Alguns componentes podem variar dependendo do modelo.

|                      |   |
|----------------------|---|
| <b>Produto</b>       | <b>Carrinho Nitro</b>   |
| <b>Adequado para</b> | <b>crianças com peso máximo de 15kg (desde o nascimento – 36 meses)</b> |
| <b>Materiais</b>     | <b>plástico, metal, tecido</b>  |
| <b>Patente no.</b>   | <b>pendente</b>   |
| <b>Produzido em</b>  | <b>China</b>  |
| <b>Nome marca</b>    | <b>Joie</b>   |
| <b>Site web</b>      | <b><a href="http://www.joiebaby.com">www.joiebaby.com</a></b>           |
| <b>Produtor</b>      | <b>Allison Baby UK Ltd</b>  |

## Lista de peças

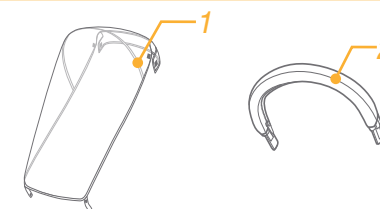
Antes da montagem certifique-se que todas as peças estão disponíveis. Em caso de falta de peças, entre em contato com seu distribuidor local. Não são necessárias ferramentas para a montagem.

|                       |                       |                           |                     |
|-----------------------|-----------------------|---------------------------|---------------------|
| 1 Quadro carrinho     | 7 Cinto de transporte | 13 Cintos de segurança    | 17 Alavanca freio   |
| 2 Roda dianteira (x2) | 8 Roda traseira       | 14 Extensão copertino     | 18 Pedal dobramento |
| 3 Rodas traseiras     | 9 Roda dianteira      | 15 Cesto de armazenamento | 19 Placa dobramento |
| 4 Copertino           | 10 Apoio para pés     | 16 Apoio para pés         |                     |
| 5 Cabo                | 11 Suporte            |                           |                     |
| 6 Elemento de fixação | 12 Fivela             |                           |                     |



## Acessórios (Podem não estar inclusos na compra)

- 1 Capa de chuva
- 2 Cobertura da barra de segurança





## AVISOS

- ! AVISO Sempre use o sistema de retenção.
- ! CUIDADO Use o dispositivo bifurcado em combinação com a cintura. Os cintos de segurança também devem ser utilizados .
- ! CUIDADO Antes de usar o produto, certifique-se que são ativados todos os dispositivos de bloqueio.
- ! CUIDADO Não deixe a criança a jogar com o produto.
- ! É necessário o montagem por um adulto.
- ! O carrinho é para uma criança com peso inferior a 15 kg. Uma criança com um peso inadequado pode danificar o assento.
- ! Para evitar situações de risco, instáveis, não coloque mais de 4,5 kg na caixa de armazenamento.
- ! ADVERTÊNCIA Nunca deixe sua criança sozinha. Sempre que seu filho está no carrinho não deixe-o sem supervisão.
- ! Nunca coloque malotes, sacos de compras, pacotes ou acessórios sobre a alça ou capota.
- ! Em caso de sobrecarga , o dobramento incorreto ou o uso de elementos constituintes de outros fabricantes, isso pode causar danos, , ou prejudicar o carrinho. Leia atentamente o manual de instruções.
- ! Nunca use o carrinho com peças de outros produtores.
- ! Leia todas as intruções do manual antes de usar o produto. Guarde o manual de instruções para referência futura. A falta de respeito destes avisos e instruções pode levar a lesões graves ou morte.
- ! Os cintos de segurança e os sistemas de fixação devem ser corretamente usados.
- ! Para evitar ferimentos graves causados por quedas ou deslizamento, use sempre cintos de segurança.
- ! Certifique-se que, ao ajustar o carrinho, a criança não esteja ao lado das parte móveis.
- ! A criança pode deslizar através das aberturas para as pernas e pode ser estrangulado, se os cintos de segurança não são usados.
- ! Nunca use o carrinho nas escadas ou nas escadas rolantes.
- ! Mantenha longe de objetos de alta temperatura, líquidos e aparelhos eletrônicos.
- ! Nunca permita que uma criança levanta-se de pé ou seja sentada com a cabeça orientada para a frente do carrinho.
- ! Nunca deixe o carrinho na rua, em declive ou em áreas de risco.
- ! Certifique-se que todos os mecanismos são fixados antes de usar o carrinho.
- ! Para evitar estrangulamento, NÃO coloque objetos com a cordas ao redor do pescoço da criança, elementos pendentes do produto e não anexe cordas aos brinquedos.
- ! Qualquer carga pendurada à alça e/ou na parte traseira do encosto e/ ou nas laterais do veículo afetarão a estabilidade do veículo.
- ! Não levante o carrinho, quando a criança estiver nele.
- ! NÃO utilize o cesto para carregar a criança.
- ! Para evitar a derrubada, nunca deixe sua acriança a subir no carrinho. Leve sua criança de e no cesto.

- ! Para evitar a preensão dos dedos, abrir e dobrar com cuidado o carrinho.
- ! Certifique-se que está totalmente abertao ou dobrado antes de permitir que as crianças tenham acesso na proximidade.
- ! Para garantir a segurança da criança, certifique-se de todas as peças montadas e fixadas bem antes de usar o carrinho.
- ! Para evitar estrangulamento, certifique-se que a criança não estiver perto do copertino.
- ! Quando você parar o carro, sempre ativar os freios.
- ! Pare de usar o carrinho se ele estiver danificado ou quebrado.
- ! O Carrinho pode ser utilizado apenas para velocidade da marcha normal. O produto não é destinado para uso durante a corrida.
- ! Para evitar sufocamento, remova todos os sacos e embalagens de plástico antes de usar o produto. Os sacos e as embalagens de plástico devem ser mantidos longe de bebês e crianças.
- ! O produto não é destinado para uso durante a corrida ou patinação.
- ! A maca é projetada para ser usada desde o nascimento, e para os recém-nascidos é recomendada a posição de inclinação máxima.
- ! O dispositivo de estacionamento deve ser activado quando colocar ou retirar a criança do carrinho.
- ! Para evitar o dano, certifique-se que á abertura ou ao dobrar deste produto, a criança esteja mantida á distância.
- ! São necessários cuidados adicionais se for utilizado em veículos em movimento e a criança não deve ficar sem supervisão, mesmo com os travões acionados.

## Montagem do carrinho

Leia todas as instruções contidas neste manual antes de montar e usar este produto.

### Abertura do carrinho

Separe o dispositivo de fechamento do elemento de fixação ❶, após leve o cabo acima ❷ - ❶, empurre a placa para baixo com o pé ❷ - ❷, se ouvir um clique, isso significa que o produto está completamente aberto.

- ! Antes de continuar, verifique a abertura completa do carrinho.

### Montagem das rodas dianteiras

Monte as rodas dianteiras sobre os pés dianteiros. Verifique se as rodas estão bem presos puxando os conjuntos de rodas. ❸, Para desmontar as rodas dianteiras, remova as rodas dos pés dianteiros ❹ - ❷ enquanto pressiona ao lado de fora os elementos de liberação. ❹ - ❶

### Montagem das rodas traseiras

Monte as rodas dianteiras nos pés dianteiros ❺. Verifique que as rodas sejam bem fixadas atirando do conjunto das rodas.

Prenda o cabo de freio no lugar de fixação sob a barra retangular para fixá-lo. ❻

## Montagem do copertino

Alinhe os orifícios do copertino com os suportes na barra e após introduza no conjunto do copertino **7**, prenda o gancho e os elementos de fixação, prenda os botões para fixar o copertino ao encosto. **8**  
O carrinho completamente montado apresenta-se como em **9**

## Funcionamento do carrinho

### Ajuste do ângulo do encosto

O encosto tem 5 pontos.

Pressione o botão de ajuste **10 - 1**, após ajuste o encosto ao ângulo desejado. **10 - 2**

Para levar o encosto, empurre acima.

! Certifique-se que o mecanismo de inclinação é adequadamente usado.

### Utilização da fivela

#### Liberação de fivela

Pressione o botão central para liberar a fivela. **11**

#### Bloqueio da fivela

Ajuste os cintos de segurança **12 - 1**, e após introduza-os na fivela central. **12 - 2**

A fivela é completamente bloqueada ao ouvir um clique. **12 - 3**

! Sempre fixe a criança com os cintos de segurança, para evitar lesões graves que podem ocorrer em caso de cair ou escorregar.

! Assegure-se do ajuste confortável da criança. O espaço entre a criança e os cintos de ombro é da espessura de uma mão.

! Não cruze os cintos de ombros. Isso produzirá pressão sobre o pescoço da criança.

### Utilização dos cintos de segurança

! Para proteger a criança de cair, depois de colocá-lo no assento, verifique se os cintos de ombro e cintura são à altura e comprimento adequados.

**13 - 1** Dispositivo de fixação do cinto de segurança para ombros A

**13 - 2** Dispositivo de fixação do do cinto de segurança para ombros B

**13 - 3** Dispositivo de ajuste

Para crianças mais grandes, use o dispositivo de fixação do cinto de segurança para ombros A e os orifícios mais acima. Para as crianças mais pequenos, use o dispositivo de fixação do cinto de segurança e os orifícios do baixo.

Para ajustar a posição use o dispositivo de fixação do cinto de segurança para ombros, gire o dispositivo ao nível da parte dianteira. Tire o dispositivo através o orifício para os cintos de trás para a frente. **14** Tire de novo o dispositivo através o orifício mais adequado da altura dos ombros da criança. **15**

Use o dispositivo de ajuste para mudar o comprimento dos cintos. **16 - 1**

Pressione o botão **16 - 2**, tirando ao mesmo tempo o cinto do meio ao comprimento desejado. **16 - 3**

### Ajuste do suporte

O suporte tem 2 posições.

Levar o suporte

Para levar o suporte, empurre acima.

Baixar o suporte

Pressione os botões de ajuste nas duas partes do suporte **17 - 1**, e gire o suporte para baixo. **17 - 2**

### Utilização do mecanismo de bloqueio da roda dianteira

Puxe para cima as travas rotatórias dianteiras para manter a direção do movimento. **18**

**Dica** Recomenda-se o uso dos mecanismos de bloqueio giratórios em superfícies irregulares.

## Utilização dos freios

Para bloquear as rodas, pressione a alavanca de freio com o pé. **19**

Para liberar as rodas, leve a alavanca. **19 - 1**

**Dica** Afixe sempre o freio enquanto o carrinho está parado.

**Dica** Limpe o sistema de travagem regularmente para garantir o seu total funcionamento. Consulte a secção de cuidado e manutenção.

**Dica** Para garantir que o travão está acionado, movimente delicadamente o carrinho de bebé para trás e para a frente antes de soltar o punho.

## Utilização do copertino

Para abrir o copertino, empurre o copertino para a frente e pressione os cabos de extensão dos lados. **20**

Para dobrar o copertino, empurre os cabos de extensão dos lados **20 - 1** e tire o copertino para trás.

## Dobramento do carrinho

! Antes de dobrar o carrinho, dobre o copertino.

Leve a placa de dobramento **21**, pressione com o pé a pedal de dobramento **22 - 1**, empurre o carrinho para a frente para dobrá-lo **22 - 2**. O mecanismo de bloqueio se prende automaticamente do elemento de fixação; o carrinho é pliado e completamente bloqueado. **23**

## Utilização do cinto de transporte

Pode transportar ligeiramente o carrinho levando-o com a ajuda do cinto para o transporte. **24**

## Acessórios

Os acessórios podem ser comercializadas separadamente ou podem não estar disponíveis dependendo da região.

## Utilização da Capa de Chuva

Para montar a capa de chuva, coloque-a sobre o carrinho e depois prenda o gancho e laço na capa de chuva. **26**

! Ao utilizar a capa de chuva, verifique sempre sua ventilação.

! Quando não estiver em uso, certifique-se de que a capa de chuva esteja limpa e seca antes de dobrar.

! Se a capa de chuva estiver no carrinho, remova sempre a capa de chuva para impedir rasgos.

! Não coloque sua criança no carrinho montado com a capa de chuva em dias quentes.

## Utilizar a barra de segurança

ver imagens **27 - 30**

## Cuidado e Manutenção

! O acolchoado para o assento removível pode ser lavado com água fria e pode ser secado naturalmente. Sem branqueamento

! Para limpar o quadro do carrinho, use somente sabão para uso doméstico e água quente. Sem lixívia ou detergentes.

! Verifique periodicamente o carrinho para o desgaste de peças, parafusos soltos, materiais quebrados ou costura. Se necessário, substituir ou reparar as peças.

! A exposição excessiva ao sol ou calor pode produzir descoloração ou a deformidade das peças.

! Se o carro estiver molhado, retire a capota e deixe-o secar completamente antes do armazenamento.

! Se as rodas rangam, utilize óleo destilado (como spray de silicone, óleo anti-ferrugem ou óleo de máquina de costura). É importante introduzir óleo no eixo e no conjunto da roda. **25**

! Se o pedal do travão estiver rígido ou se for difícil de acionar, elimine todos os resíduos do sistema de travagem com água limpa antes de lubrificar.

! Se utilizar o carrinho de bebé na praia ou em zonas com muita poeira/areia, limpe totalmente o carrinho de bebé após a sua utilização para remover a areia e o sal dos mecanismos de travagem e dos componentes das rodas.

# ES Bienvenido a Joie™

Enhorabuena por formar parte de la familia Joie! Estamos encantados de participar en cada viaje que realices con tu hijo. Cuando viaje con Joie Nitro™, estará usando una silla de paseo de alta calidad, completamente certificada, aprobada según el estándar europeo de seguridad EN 1888: 2012. El producto es adecuado para niños con un peso máximo de 15 kg. Lea con atención este manual y siga cada paso para asegurar un paseo confortable y la mayor protección para su hijo.

## IMPORTANTE - Guarde estas instrucciones para futuras consultas.

Visítenos en [joiebaby.com](http://joiebaby.com) para descargar manuales de instrucciones y para ver más productos extraordinarios Joie!

Para información sobre la garantía, por favor visite nuestra web [joiebaby.com](http://joiebaby.com)

## Contenido

|  |           |
|--|-----------|
| Imágenes de referencia                             | 1-6       |
| Informaciones sobre el producto                    | 20        |
| Lista de piezas                                    | 20        |
| Advertencias                                       | 21-22     |
| <b>Montaje de la silla de paseo</b>                | <b>22</b> |
| Abrir la silla de paseo                            | 22        |
| Montaje de las ruedas delanteras                   | 22        |
| Montaje de las ruedas traseras                     | 22        |
| Montaje de la capota                               | 22        |
| <b>Uso de la silla de paseo</b>                    | <b>23</b> |
| Ajuste del reclinado                               | 23        |
| Uso de la hebilla                                  | 23        |
| Uso de los arneses para el hombro y la cintura     | 23        |
| Ajuste del reposapiés                              | 23        |
| Uso del mecanismo de bloqueo de la rueda delantera | 23        |
| Uso del freno                                      | 24        |
| Uso de la capota                                   | 24        |
| Pliegue de la silla de paseo                       | 24        |
| Uso del asa de transporte                          | 24        |
| Accesorios   | 24        |
| Cuidado y mantenimiento                            | 24        |

## Emergencias

En caso de emergencia o accidente, lo más importante es que su hijo sea atendido inmediatamente con primeros auxilios y tratamiento médico.

## Informaciones sobre el producto

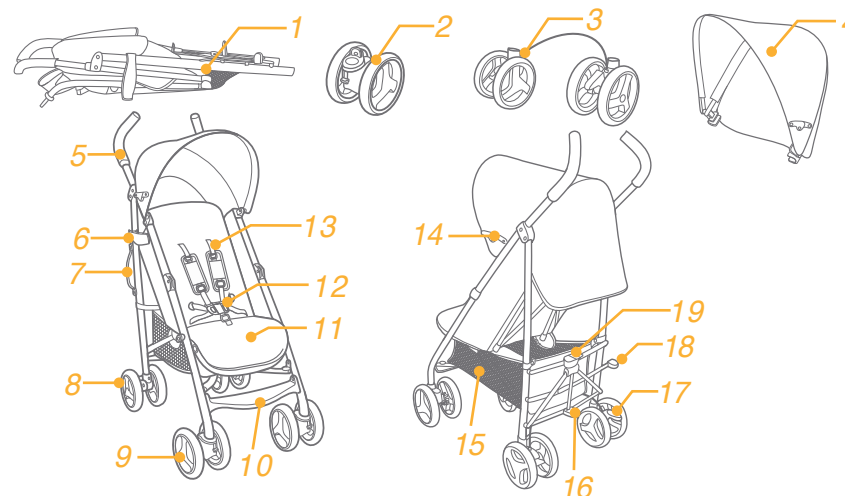
Lea todas las instrucciones de este manual antes de usar el producto. Para preguntas, contacte con el distribuidor. Algunas características pueden variar según el modelo.

|                          |  |
|--------------------------|--|
| <b>Producto</b>          | silla de paseo Nitro   |
| <b>Adecuado para</b>     | niños con un peso máximo de 15kg (del nacimiento – 36 meses) |
| <b>Materiales</b>        | plástico, metal, telas                                       |
| <b>Numero de patente</b> | en espera  |
| <b>Fabricado en</b>      | China  |
| <b>Marca</b>             | Joie   |
| <b>Página web</b>        | <a href="http://www.joiebaby.com">www.joiebaby.com</a>       |
| <b>Productor</b>         | Allison Baby UK Ltd  |

## Listado de piezas

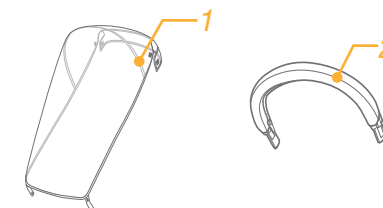
Asegúrese de que todas las piezas para el montaje están disponibles. Si faltan piezas, contacte con su distribuidor. No se necesitan herramientas para el montaje.

- |                        |                             |  |                       |
|------------------------|-----------------------------|--|-----------------------|
| 1 Chasis               | 7 Asa de transporte         | 12 Hebilla                                     | 17 Palanca de freno   |
| 2 Rueda delantera (x2) | 8 Rueda trasera             | 13 Arnés de seguridad                          | 18 Pedal de plegado   |
| 3 Ruedas traseras      | 9 Rueda delantera           | 14 Extensión capota                            | 19 Palanca de pliegue |
| 4 Capota               | 10 Soporte para las piernas | 15 Cesta de almacenamiento                     |                       |
| 5 Manillar             | 11 Soporte para las piernas | 16 Palanca de plegado y desplegado de la silla |                       |
| 6 Seguro cierre silla  |                             |  |                       |



## Accesorios (es posible que no se incluyan con la compra)

- 1 Plástico de lluvia
- 2 Barra apoyabrazos



## ADVERTENCIAS

- ! ATENCIÓN Utilice siempre los arneses.
- ! ATENCIÓN Utilice siempre la combinación de la correa de la entrepierna con la de la cintura. También se deben utilizar los arneses de hombro.
- ! Antes del uso, asegúrese que todos los dispositivos de bloqueo están activados.
- ! ATENCIÓN Verifique que los dispositivos de sujeción del capazo, el asiento o la silla de automóvil están correctamente anclados antes del uso.
- ! NO deje al niño jugar con el producto.
- ! Antes del uso, verifique que los dispositivos añadidos al asiento y cuerpo de la silla de paseo están correctamente sujetos.
- ! El montaje tiene que ser realizado por un adulto.
- ! La silla de paseo es adecuada para niños con un peso máximo de 15 kg. Un peso inadecuado podría deteriorarla.
- ! Para prevenir situaciones de inestabilidad, no ponga más de 4,5 kg en la cesta de almacenamiento.
- ! ATENCIÓN! Nunca deje a los niños sin vigilancia.
- ! Utilice la silla de paseo para un niño. No ponga bolsos, bolsas de compra, paquetes o accesorios en el manillar o en la capota.
- ! Sobrecargar, plegar incorrectamente o utilizar componentes de otros fabricantes puede llevar a lesiones graves o mortales.
- ! NUNCA use la silla con componentes producidos por otros fabricantes.
- ! Lea todas las instrucciones del manual antes de usar el producto. Guarde el manual de instrucciones para futuras consultas. El incumplimiento de estas advertencias e instrucciones puede llevar a lesiones graves o mortales.
- ! Cinturones de seguridad y sistemas de retención infantil deben ser usados correctamente.
- ! Los arneses de sujeción deben ser usados correctamente.
- ! Cuando ajuste la silla de paseo asegúrese de que las partes móviles no estén cerca del cuerpo del niño.
- ! Si no se usa correctamente el arnés el niño puede resbalar por las aberturas para las piernas y asfixiarse
- ! Nunca use la silla en escaleras o escaleras mecánicas.
- ! Mantenga una distancia adecuada frente a objetos calientes, líquidos y electrónicos.
- ! No permita que el niño esté de pie o con la cabeza en la parte frontal de la silla.
- ! No deje la silla en carreteras, pendientes o en zonas peligrosas.
- ! Antes de usar la silla asegúrese de que todos los mecanismos están en posición de bloqueo.
- ! Para evitar estrangulamientos, NO ponga alrededor del cuello del niño cordones, cuerdas colgando de la silla o ate cordones a los juguetes.
- ! Cualquier carga situada en el asa, en la parte trasera del respaldo o a los lados de la silla afectará a la estabilidad de la misma.
- ! NO levante la silla mientras el niño está dentro.
- ! NO use la cesta de almacenamiento para transportar al niño.
- ! Para evitar el vuelco, nunca deje al niño ir de pie en la silla.

- ! Para evitar que algún dedo quede atrapado, pliegue y despliegue cuidadosamente la silla.
- ! Asegúrese que está completamente desplegada o plegada antes permitir la presencia de los niños cerca.
- ! Antes de utilizar la silla, para garantizar la seguridad del niño, asegúrese de que todas las partes han sido montadas y fijadas adecuadamente.
- ! Frene siempre la silla cuando no la utilice.
- ! No utilice la silla de paseo si está deteriorada o tiene algún defecto.
- ! Esta silla solo debe usarse para caminar. El producto no está destinado a ser utilizado para correr.
- ! Antes de utilizar este producto, para evitar la asfixia, retire las bolsas de plástico y los materiales de embalaje.
- ! Este producto no está destinado a ser utilizado mientras se corre o patina.
- ! Las sillas de paseo que están diseñadas para ser usadas desde el nacimiento deben ser utilizadas en la posición más reclinada para los recién nacidos.
- ! Active los frenos del producto cuando lo detenga y cuando saque al niño de la silla.
- ! Para evitar lesiones asegúrese que el niño no está presente al despliegue y el pliegue del producto.
- ! Es necesario extremar las precauciones si se usa en vehículos en movimiento y el niño no debe dejarse desatendido, incluso con los frenos activados.

## Montaje de la silla paseo

Lea con atención las instrucciones de este manual antes de montar y usar el producto.

### Abrir la silla de paseo

Separe el seguro de cierre de la silla del botón de seguridad de cierre ①, después levante el manillar ② - 1 y pise hacia abajo la palanca de plegado y desplegado de la silla ② - 2, La silla estará completamente abierta cuando escuche un clic.

! Antes de continuar, verifique que la silla está completamente abierta.

### Montaje de las ruedas delanteras

Ponga las ruedas delanteras. Verifique que las ruedas están puestas de una forma segura tirando de ellas. ③

Para desmontar las ruedas delanteras, saque las ruedas de las patas delanteras ④ - 2 empujando hacia el exterior los botones de desbloqueo. ④ - 1

### Montaje de las ruedas traseras

Monte las ruedas traseras en las patas traseras ⑤. Verifique que las ruedas están puestas de forma segura tirando de ellas. Para sujetar el cable de freno, encájelo en la lengüeta de sujeción situada bajo la barra rectangular. ⑥

### Montaje de la capota

Alinee las ranuras de la capota con los soportes de la barra y después encájelos para montar la capota ⑦, agarre el gancho y los elementos de sujeción, abroche los botones para dejar la capota plegada ⑧, La silla completamente montada se muestra como en. ⑨

## Funcionamiento de la silla de paseo

### Ajuste del reclinado

El respaldo tiene 5 posiciones.

Pulse el botón de ajuste **10 - 1**, y después ajuste el respaldo a la posición deseada **10 - 2**.

Para levantar el respaldo, empuje hacia arriba.

! Asegúrese que el mecanismo de reclinado está siendo usado correctamente.

### Uso de la hebilla

#### Abrir la hebilla

Pulse el botón del centro para abrir la hebilla **11**.

#### Cerrar la hebilla

Sujete la hebilla del arnés para la cintura con la hebilla del hombro **12 - 1**, y después póngalas en la hebilla central **12 - 2**. Un clic significa que la hebilla está completamente cerrada **12 - 3**.

! Para evitar heridas graves causadas por caídas o resbalones, proteja siempre al niño con los arneses de seguridad.

! Asegúrese de haber sujetado bien al niño. El espacio entre el niño y los cinturones debe ser de aproximadamente el canto de una mano.

! No cruce los cinturones para el hombro. Esto puede causar presión en el cuello del niño.

### Uso del arnés para el hombro y la cintura

! Para prevenir la caída del niño, después de sentarlo en el asiento, verifique que los arneses para el hombro y la cintura tienen la altura y la longitud correspondiente.

**13 - 1** Dispositivo de sujeción del arnés para los hombros A

**13 - 2** Dispositivo de sujeción del arnés para los hombros B

**13 - 3** Dispositivo de regulación

Para niños mayores use el dispositivo de sujeción del arnés para los hombros A y las ranuras superiores. Para niños más pequeños use el dispositivo de sujeción del arnés para los hombros B y las ranuras inferiores.

Para ajustar la posición del dispositivo de sujeción del arnés para los hombros, gire el cierre para alinearlos con la parte delantera. Páselo por la ranura del arnés para los hombros desde atrás hacia delante **14**. Páselo de nuevo por la ranura más cercana a la altura de los hombros del niño **15**. Use el dispositivo de ajuste para cambiar la longitud de los cinturones **16 - 1**, pulse el botón **16 - 2**, tirando al mismo tiempo el arnés para la cintura hasta ajustarlo a la longitud correcta **16 - 3**.

### Ajuste del reposapiés

El reposapiés tiene 2 posiciones.

Levantar el reposapiés

Para levantar el reposapiés empújelo hacia arriba.

Bajar el reposapiés.

Pulse los botones de ajuste a ambos lados del reposapiés **17 - 1**, y muévelo hacia abajo **17 - 2**.

### Uso del bloqueo de las ruedas delanteras

Levante el bloqueo de la dirección frontal para mantener la dirección de movimiento. **18**

**Consejo** Se recomienda el uso de los mecanismos de bloqueo en superficies irregulares.

### Uso de los frenos

Para bloquear las ruedas presione con el pie la palanca de freno **19**.

Presione hacia atrás la palanca del freno para desbloquear las ruedas **19 - 1**.

**Consejo** Use siempre el freno cuando la silla esté parada.

**Consejo** Limpie el sistema de frenos con regularidad para garantizar su perfecto funcionamiento. Consulte la sección de cuidado y mantenimiento.

**Consejo** Para asegurarse de que el freno esté completamente activado, balancee suavemente el cochecito hacia atrás y hacia delante antes de soltar el manillar.

### Uso de la capota

Para abrir la capota tire hacia adelante la capota y pulse las extensiones laterales **20**.

Para plegar la capota levante las extensiones laterales **20 - 1** y tire de la capota hacia atrás.

### Plegado de la silla paseo

! Antes de plegar la silla pliegue la capota.

Levante la palanca de pliegue **21**, empuje con la pierna el pedal de plegado **22 - 1**, y empuje la silla de paseo hacia delante para plegarla **22 - 2**. El seguro de cierre de la silla se agarra automáticamente al botón de seguridad de cierre. La silla está completamente plegada y bloqueada **23**.

### Uso del asa para transporte

PPuede cargar la silla con facilidad usando el asa de transporte **24**.

### Accesorios

Los accesorios pueden ser vendidos por separado o pueden no estar disponibles dependiendo de la zona.

### Uso del plástico de lluvia

Para montar la capota impermeable, colóquela sobre el cochecito y, a continuación, enganche los velcros de la capota impermeable. **26**

! Verifique la ventilación cuando esté usando el plástico de lluvia.

! Verifique y seque la burbuja antes de guardarla.

! Si el plástico de lluvia está encima de la silla, retírelo para prevenir rupturas y deterioros.

! Si hace calor no siente al niño en la silla con el plástico de lluvia.

### Uso de la barra apoyabrazos consulte las imágenes **27 - 30**

## Cuidado y mantenimiento

! El tejido para la silla se puede retirar, lavar con agua fría y secar. No se puede utilizar lejía.

! Para limpiar el chasis de la silla utilice jabón de uso doméstico y agua caliente. No use detergentes o lejía.

! Periódicamente revise la silla de paseo para comprobar el desgaste de los componentes, tornillos desatornillados, materiales rotos o deteriorados. Si es necesario, sustituya o repare los componentes.

! La exposición prolongada a la luz del sol o el calor pueden causar el deterioro de los componentes.

! Si la silla se moja, abra la capota y déjela secar antes de guardarla.

! Si las ruedas hacen ruido, utilice aceite lubricante (por ejemplo un spray de silicona, aceite anti-corrosión para máquinas de coser). Es importante que el aceite llegue a todas las partes de la rueda-eje **25**.

! Si el pedal del freno está rígido o duro para activarlo por completo, lave los residuos del sistema de frenos con agua limpia antes de la lubricación.

! Cuando utilice su cochecito en la playa o en áreas con mucho polvo o arena, límpielo completamente después de usarlo para eliminar cualquier resto de arena y sal que haya podido quedar en los mecanismos de los frenos y en los ensamblajes de las ruedas.

Félicitations pour être devenu partie de la famille Joie ! Nous sommes très heureux de faire partie de la vie avec votre enfant. Lorsque vous utilisez Joie Nitro™, vous utilisez une poussette de bonne qualité, complètement attestée, approuvée aux standards européens de sécurité EN 1888:2012. Ce produit correspond à l'usage pour les enfants qui pèsent moins de 15kg. Lisez attentivement ce manuel et suivez chaque étape pour assurer un voyage confortable et la meilleure protection à votre enfant.

**IMPORTANT -Gardez ces instructions pour les consulter dans l'avenir.**

Visitez-nous sur [joiebaby.com](http://joiebaby.com) pour télécharger des manuels et pour visualiser plusieurs produits extraordinaires de Joie!

Pour plus d'informations sur le service de garantie, veuillez consulter notre site Web à l'adresse suivante : [www.joiebaby.com](http://www.joiebaby.com)

**Contenu**

|   |              |
|---|--------------|
| Figures   | 1-6          |
| Informations sur le produit                         | 26           |
| <b>Liste des composants</b>                         | <b>26</b>    |
| <b>MISES EN GARDE</b>                               | <b>27-28</b> |
| <b>Ensemble de la poussette</b>                     | <b>28</b>    |
| Ouvrir la poussette                                 | 28           |
| Assembler les Roues Avant                           | 28           |
| Assembler les Roues Derrière                        | 28           |
| Assembler le Baldaquin                              | 28           |
| <b>Fonctionnement de la poussette</b>               | <b>29</b>    |
| Réglage de l'inclinaison                            | 29           |
| Utiliser la Boucle                                  | 29           |
| Utiliser le harnais pour les épaules et la ceinture | 29           |
| Régler le Repose-Jambes                             | 29           |
| Utiliser la serrure pour le pivot avant             | 29           |
| Utiliser le frein                                   | 30           |
| Utiliser le baldaquin                               | 30           |
| Plier la poussette                                  | 30           |
| Utiliser la sangle d'attachement                    | 30           |
| Accessories   | 30           |
| Soins et entretien                                  | 30           |

**Cas d'urgence**

Au cas d'une émergence ou d'un accident, la chose la plus importante est le soin de votre enfant par lui offrir les premiers soins ou un traitement médical immédiat.

**Informations sur le produit**

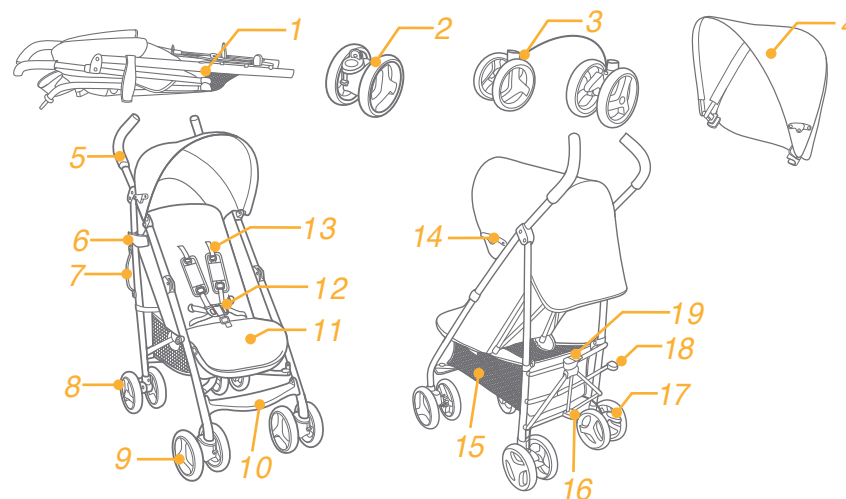
Lisez attentivement les instructions de ce manuel avant d'utiliser le produit. Si vous avez d'autres questions, consultez s'il vous plait, le commerçant. De telles caractéristiques peuvent varier d'un produit à l'autre.

|                         |  |
|-------------------------|--|
| <b>Produit</b>          | <b>Poussette Nitro</b>   |
| <b>Adéquat pour</b>     | <b>Desenfants au poids moins de 15kg (naissance - 36 mois)</b> |
| <b>Matériaux</b>        | <b>Matériaux plastique, métaux, tissus</b>                     |
| <b>No. brevet</b>       | <b>Brevet en cours d'agrément</b>                              |
| <b>Fabriqué en</b>      | <b>Chine</b>   |
| <b>Nom de la marque</b> | <b>Joie</b>  |
| <b>Page Web</b>         | <b><a href="http://www.joiebaby.com">www.joiebaby.com</a></b>  |
| <b>Fabricant</b>        | <b>Allison Baby UK Ltd</b>                                     |

**Liste des composants**

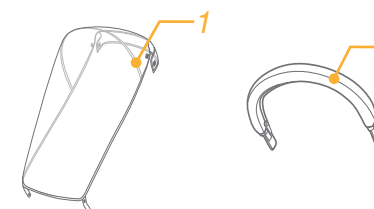
Assurez-vous que toutes les pièces sont disponibles avant l'assemblage. Si une pièce manque, contactez le fabricant local. Les outils ne sont requis pour l'assemblage.

- |                     |                       |                          |                   |
|---------------------|-----------------------|--------------------------|-------------------|
| 1 Kinderwagenrahmen | 6 Befestigungselement | 11 Lehne                 | 16 Fußlehne       |
| 2 Vorderrad (x2)    | 7 Transportriemen     | 12 Schnalle              | 17 Bremshandhebel |
| 3 Hinterräder       | 8 Hinterrad           | 13 Sichertheitriemen     | 18 Faltungspedal  |
| 4 Bedeckung         | 9 Vorderrad           | 14 Bedeckung Erweiterung | 19 Faltungsplatte |
| 5 Handgriff         | 10 Fußlehne           | 15 Lagerkorb             |                   |



**Accessoires (Peuvent ne pas être inclus lors de l'achat)**

- 1 Housse pour la pluie
- 2 Housse bar à mains



## MISES EN GARDE

- ! MISE EN GARDE Utilisez toujours une coque siège auto.
- ! MISE EN GARDE Utilisez toujours la combinaison d'entrejambes avec la ceinture. Le harnais pour les épaules doit être aussi utilisé.
- ! MISE EN GARDE Assurez-vous que tous les dispositifs de blocage sont enclenchés avant d'utiliser le produit.
- ! MISE EN GARDE Ne permettez pas à l'enfant de jouer avec ce produit.
- ! L'assemblage doit être réalisé par un adulte.
- ! Utilisez la poussette avec un enfant qui pèse moins de 15 kg. L'utilisation avec un enfant plus grand peut endommager la poussette.
- ! Pour prévenir une condition dangereuse, instable, ne rangez plus de 4,5 kg dans le porte-bagages.
- ! Avertissement! Ne jamais laisser l'enfant sans surveillance. Surveillez toujours l'enfant lorsqu'il se trouve dans la poussette.
- ! Utilisez la poussette seulement avec un enfant à la fois. Ne rangez pas des sacs à main, des bourses d'achats, des colis ou d'autres accessoires sur la poignée ou le baldaquin.
- ! Le surcharge, le pliage incorrecte, ou l'utilisation des composants d'autres fabricants peut endommager, briser ou rendre instable la poussette. Veuillez lire attentivement le mode d'emploi.
- ! Ne l'utilisez jamais avec des composants d'autres fabricants.
- ! Veuillez lire toutes les instructions du manuel avant d'utiliser ce produit. Veuillez garder le mode d'emploi pour consultation dans l'avenir. Manquer de suivre ces mises en garde et ces instructions peut entraîner des blessures graves ou le décès.
- ! Les ceintures de sécurité et les systèmes de retenue doivent être utilisés correctement.
- ! Afin d'éviter des blessures graves à cause des chutes ou des glissements, utilisez toujours la ceinture pour le siège.
- ! Assurez-vous que le corps de votre enfant n'est pas dans la proximité des parties mobiles lorsque vous réglez la poussette.
- ! L'enfant peut glisser dans les ouvertures pour les jambes et peut s'étrangler si le harnais n'est pas utilisé.
- ! N'utilisez jamais la poussette sur des marches ou des ascenseurs.
- ! Gardez à distance des objets à températures hautes, des liquides et des objets électroniques.
- ! Ne permettez jamais à votre enfant de rester debout dans la poussette ou de rester assis dans la poussette la tête vers la partie avant de la poussette.
- ! Ne stationnez jamais la poussette sur les rues, les pentes inclinées ou les zones dangereuses.
- ! Assurez-vous que tous les mécanismes sont fixés avant d'utiliser la poussette.
- ! Pour éviter l'étranglement, NE mettez pas des objets avec des ficelles autour du cou de l'enfant, suspendez les ficelles de ce produit ou attachez les ficelles aux jouets.
- ! Pour prévenir le renversement, NE rangez rien sur la poignée.
- ! NE levez pas la poussette lorsque l'enfant se trouve dans la poussette.
- ! N'utilisez pas la corbeille de rangement pour porter l'enfant.
- ! Pour prévenir le renversement, ne laissez jamais l'enfant monter dans la pous-

sette. Levez toujours l'enfant de et dans la poussette.

- ! Pour éviter de coincer les doigts, prenez soin lorsque vous pliez ou dépliez la poussette.
- ! Assurez-vous que le produit est complètement ouvert ou plié avant de laisser l'enfant dans sa proximité.
- ! Pour assurer la sécurité de l'enfant, assurez-vous que toutes les composants sont assemblées et enclenchées proprement avant d'utiliser la poussette.
- ! Pour éviter l'étranglement, assurez-vous que vous tenez l'enfant loin du baldaquin.
- ! Activez toujours les freins lorsque vous parquez la poussette.
- ! Arrêtez l'usage de la poussette si elle devient endommagée ou brisée.
- ! La poussette sera utilisée seulement pour la vitesse de la marche. Ce produit n'est pas conçu pour usage pendant la course à pied.
- ! Pour éviter l'étouffement, enlever la bourse en plastique et les matériaux pour l'emballage avant d'utiliser le produit. La bourse en plastique et les matériaux pour l'emballage doivent puis être tenus hors de la portée des bébés et des enfants.
- ! Ce produit n'est pas adéquat pour usage pendant une course à pied ou pendant une promenade avec les patines.
- ! La poussette pour les nouveau-nés est recommandée à être utilisé dans la position inclinée la plus basse pour les nouveau-nés.
- ! Le dispositif de stationnement doit être activé pour asseoir ou lever l'enfant.
- ! Afin d'éviter les blessures, assurez-vous que l'enfant est tenu loin de la poussette lorsque vous dépliez et pliez le produit.
- ! Des précautions supplémentaires sont nécessaires en cas d'utilisation sur des véhicules en mouvement et l'enfant ne doit pas être laissé sans surveillance, même avec les freins enclenchés.

## Assemblage de la poussette

Veuillez lire tous les instructions de ce manuel avant d'assembler et utiliser ce produit.

### Ouverture de la poussette

Séparez le loquet de rangement du support de rangement ①, et puis levez la poignée en haut ② - 1, posez votre pied sur la plaque à pieds ② - 2, un clac signifie que la poussette est maintenant complètement ouverte.

! Assurez-vous que la poussette est complètement ouverte avant de continuer.

### Assembler les roues avant

Assemblez les roues avant sur les supports avant. Vérifiez si les roues sont attachées solidement en tirant sur les assemblages de roues ③

Pour désassembler la roue avant, détachez la roue avant du support avant ④ - 2, appuyant les plaques pour le détachement à l'extérieur ④ - 1

### Assembler les roues arrière

Assemblez les roues arrière sur les supports arrière ⑤. Vérifiez si les roues sont attachées solidement en tirant sur les assemblages. Presser le câble de frein dans les trous d'enclenchement sous les tubs carrés pour le fixer ⑥

### Assembler le baldaquin

Alignez les espaces des supports pour le baldaquin avec les pivots sur les tubes et puis introduisez-les pour l'assembler le baldaquin ⑦, et collez le velcro pour attacher le baldaquin arrière au dossier ⑧

La poussette complètement assemblée se présente comme dans l'illustration ⑨

# Utilisation de la poussette

## Réglage de l'inclinaison

Il y a 5 angles pour le dossier.

Serrez le bouton pour le réglage **10 - 1**, et puis réglez le dossier à l'angle désiré **10 - 2**

Afin de lever le dossier, poussez en haut.

! Assurez-vous que l'inclinaison est adéquate avant l'utilisation.

## Utilisation de la boucle

### Dégagement de la boucle

Pressez le bouton central pour dégager la boucle **11**

### Enclenchement de la boucle

Ajustez la boucle de la ceinture de retenue avec celle pour les épaules **12 - 1**, et introduisez-les dans la boucle au milieu **12 - 2**. Un clac signifie que la boucle est complètement enclenchée. **12 - 3**

! Pour éviter des blessures graves à cause de la chute ou du glissement de la poussette, attachez toujours l'enfant avec le harnais.

! Assurez-vous que l'enfant est bien attaché de manière confortable. L'espace entre l'enfant et la ceinture pour les épaules est d'environ l'épaisseur de la paume.

! Ne croisez pas les ceintures pour les épaules. Ceci entraîne de la pression sur le cou de l'enfant.

## Utiliser le harnais pour les épaules et la ceinture pour la retenue

! Pour protéger l'enfant afin de ne pas tomber de la poussette, après avoir assis l'enfant dans le siège, vérifiez si les harnais pour les épaules et la ceinture pour la retenue ont la hauteur et la longueur correspondante.

- 13 - 1** Ancre A du harnais pour les épaules
- 13 - 2** Ancre B du harnais pour les épaules
- 13 - 3** Dispositif pour régler le glissement

Pour un enfant plus grand, utilisez ancre A du harnais pour les épaules et les espaces les plus hauts pour les épaules. Pour un enfant plus petit, utilisez ancre B du harnais pour les épaules et les espaces les plus bas pour les épaules.

Pour régler la position de l'ancre pour le harnais pour les épaules, tournez l'ancre pour arriver au même niveau avec la partie face avant. Passez-le par l'espace pour le harnais pour les épaules de la partie derrière vers la partie avant **14**, Passez-le de nouveau par l'espace le plus proche de la hauteur des épaules de l'enfant **15**

Utilisez le dispositif de réglage du glissement pour modifier la longueur du harnais **16 - 1**, Serrez le bouton

**16 - 2**, en tirant au même temps de la ceinture de retenue jusqu'à la longueur adéquate. **16 - 3**

## Régler le support pour les jambes

Le support pour les jambes a 2 positions.

Lever le support pour les jambes

Pour lever le support pour les jambes, seulement pousser-le en haut.

Descendre le support pour les jambes

Pressez les boutons de réglage des deux cotées du support pour les jambes **17 - 1**, et tournez le support pour les jambes en bas **17 - 2**

## Utiliser le loquet pour le pivot avant

Tirez les dispositifs pour le blocage de l'essieu avant pour maintenir la direction de mouvement. **18**

**Conseil** Il est recommandé d'utiliser les loquets pour les pivots sur des surfaces irrégulières.

## Utilisez les freins

Pour bloquer les roues, appuyez le pied sur la pédale des freins **19**

Pour libérer les roues, seulement levez la pédale des freins **19 - 1**

**Conseil** Enclenchez toujours le frein lorsque la poussette est en position de stationnement.

**Conseil** Nettoyez régulièrement le système de freinage pour vous assurer qu'il est complètement fonctionnel. Voir la section Entretien et maintenance.

**Conseil** Pour vous assurer que le frein est complètement enclenché, remuez doucement la poussette en avant et en arrière avant de relâcher la poignée.

## Utilisez le baldaquin

Pour ouvrir le baldaquin, tirer-le en avant et pressez en bas les extensions des deux côtés **20**

Pour plier le baldaquin, tirer les extensions en haut des deux côtés **20 - 1** et tirez le baldaquin en arrière.

## Plier la poussette

! Veuillez plier le baldaquin avant de plier la poussette.

Levez le plateau pliant **21** appuyez le pied en bas sur la pédale pour le pliage **22-1**, poussez la poussette en avant pour la plier **22-2**. Le loquet pour rangement s'accrochera automatiquement sur le support pour le rangement, puis la poussette est pliée et bloquée complétement. **23**

## Utilisez la Sangle pour le transport

Vous pouvez transporter la poussette aisément en levant la sangle pour le transport **24**

## Accessories

Les accessoires peuvent être vendus séparément ou peuvent ne pas être disponibles selon la région.

## Utilisation de la housse pour la pluie

Pour assembler la housse de pluie, placez-la sur la poussette, puis attachez les fixations velcro sur la housse de pluie **25**

! Quand vous utilisez la housse pour la pluie, toujours vérifiez sa ventilation.

! Lorsque vous ne l'utilisez pas, veuillez vérifier si elle a été nettoyée et séchée avant d'être pliée.

! Si la housse pour la pluie est sur la poussette, enlevez-la toujours pour prévenir les ruptures et les détériorations.

! Pendant la saison chaude, n'asseyez jamais votre enfant dans la poussette qui a la housse de pluie assemblée.

## Utilisation du bar à mains

voir les images **27 - 30**

## Soins et maintien

! Le coussin détachable pour le siège peut être lavé dans l'eau froide et séché sans avoir des plis. Sans blanchisseur

! Pour nettoyer l'armature de la poussette, utilisez seulement du savon de ménage ou de l'eau chaude. Sans blanchisseur ou détergent.

! Vérifiez périodiquement la poussette pour des vis desserrées, pièces usagées, tissu ou couture déchiré. Remplacez ou réparez les composants au besoin.

! L'exposition excessive au soleil ou à la chaleur peut déterminer la décoloration ou la déformation des composants.

! Au cas où la poussette est humide, ouvrez le baldaquin et laissez-le sécher complètement avant de le ranger.

! Si les roues grincent, utilisez un huile léger (par exemple, pulvérisation avec silicone, huile contre la rouille, ou huile pour la machine à coudre). Il est important de mettre l'huile dans le système de roues ou l'essieu **25**

! Si la pédale de frein est ferme/difficile à enclencher complètement, retirez d'abord les débris du système de freinage à l'eau claire avant de procéder à la lubrification.

! En cas d'utilisation de votre poussette à la plage ou dans des lieux contenant d'importantes quantités de poussière/sable, nettoyez complètement votre poussette après utilisation pour retirer le sable et le sel des mécanismes de freinage et des ensembles de roues.



Glückwunsch, dass Sie ein Mitglied der Joie-Familie werden! Wir freuen uns sehr, Ihr kleines Kind auf Reisen zu begleiten. Beim Reisen mit dem Joie Nitro™ benutzen Sie einen erstklassigen, umfassend zertifizierten Buggy, der gemäß dem europäischen Sicherheitsstandard EN 1888:2012 zugelassen ist. Dieses Produkt eignet sich für Kinder mit einem Gewicht von unter 15 kg pro Sitz. Bitte lesen Sie diese Anleitung aufmerksam und befolgen die einzelnen Schritte zur Sicherstellung einer komfortablen Fahrt und einer optimalen Sicherheit Ihres Kindes.

## WICHTIG - Bewahren Sie diese Anleitung für eine spätere Bezugnahme auf.

Besuchen Sie uns unter [joiebaby.com](http://joiebaby.com), um Anleitungen herunterzuladen und weitere aufregende Joie-Produkte anzuschauen!

Besuchen Sie unsere Website [joiebaby.com](http://joiebaby.com), um mehr über unsere Gewährleistungsbedingungen zu erfahren.

## Inhalt

|                                   |           |
|-----------------------------------|-----------|
| Abbildungen                       | 1-6       |
| Produktinformationen              | 32        |
| Teileliste                        | 32        |
| WARNUNG                           | 33-34     |
| <b>Montage des Kinderwagens</b>   | <b>34</b> |
| Kinderwagen öffnen                | 34        |
| Vorderräder montieren             | 34        |
| Hinterräder montieren             | 34        |
| Verdeck anbringen                 | 34        |
| <b>Bedienung des Kinderwagens</b> | <b>35</b> |
| Rückenlehne anpassen              | 35        |
| Schnalle bedienen                 | 35        |
| Schulter- & Taillengurte anlegen  | 35        |
| Wadenstütze anpassen              | 35        |
| Vorderräder feststellen           | 35        |
| Bremse bedienen                   | 35        |
| Verdeck verwenden                 | 36        |
| Kinderwagen zusammenklappen       | 36        |
| Tragriemen verwenden              | 36        |
| Zubehör                           | 36        |
| Pflege und Wartung                | 36        |

## Notfall

Bei einem Notfall oder Unfall ist es am wichtigsten, dass Ihr Kind unverzüglich erste Hilfe bekommt und medizinisch versorgt wird.

## Produktinformationen

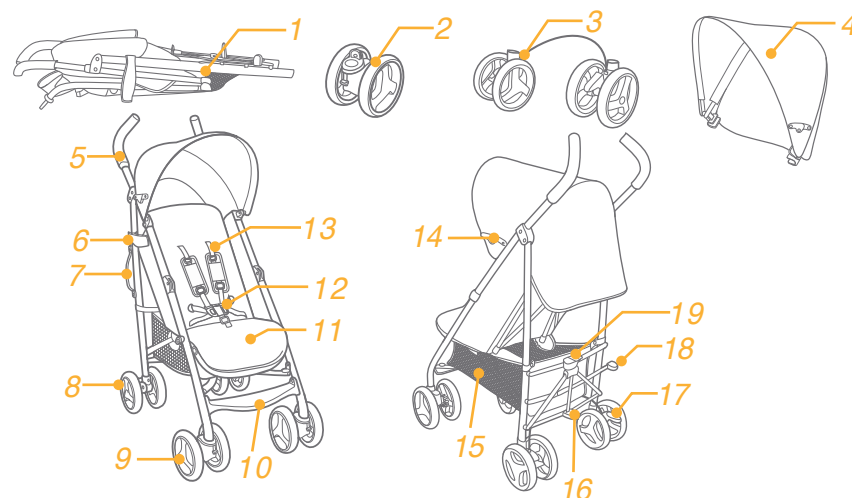
Lesen Sie alle Hinweise in dieser Anleitung, bevor Sie dieses Produkt verwenden. Bei weiteren Fragen wenden Sie sich bitte an Ihren Händler. Einige Merkmale können je nach Modell variieren.

|                       |  |
|-----------------------|--|
| <b>Produkt</b>        | <b>Nitro Buggy</b>   |
| <b>Geeignet für</b>   | <b>Kinder mit einem Gewicht unter 15 kg (Geburt - 36 Monate)</b> |
| <b>Materialien</b>    | <b>Kunststoff, Metall, Stoffe</b>                                |
| <b>Patent-Nr.</b>     | <b>Patente angemeldet</b>  |
| <b>Hergestellt in</b> | <b>China</b>   |
| <b>Markenname</b>     | <b>Joie</b>  |
| <b>Website</b>        | <b><a href="http://www.joiebaby.com">www.joiebaby.com</a></b>    |
| <b>Hersteller</b>     | <b>Allison Baby UK Ltd</b>                                       |

## Teileliste

Stellen Sie vor der Montage sicher, dass alle Teile vorhanden sind. Falls etwas fehlen sollte, wenden Sie sich bitte an Ihren Händler vor Ort. Für die Montage werden keine Werkzeuge benötigt.

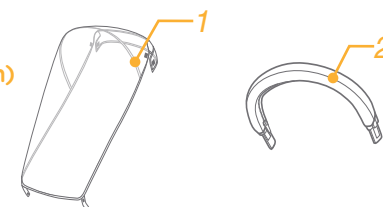
|                      |                    |                       |                         |
|----------------------|--------------------|-----------------------|-------------------------|
| 1 Kinderwagengestell | 6 Ablageverschluss | 11 Beinauflage        | 16 Fußplatte            |
| 2 Vorderrad (x2)     | 7 Tragriemen       | 12 Verschluss         | 17 Bremshebel           |
| 3 Hinterräder        | 8 Hinterrad        | 13 Sicherheitsgurt    | 18 Zusammenklapp-Pedal  |
| 4 Verdeck            | 9 Vorderrad        | 14 Verdeckspannhalter | 19 Zusammenklapp-Platte |
| 5 Griff              | 10 Fußstütze       | 15 Ablagekorb         |                         |



## Zubehör

(im Lieferumfang eventuell nicht enthalten)

- 1 Regenschutz
- 2 Armlehnenabdeckung



Zubehör wird möglicherweise separat verkauft oder ist je nach Region nicht verfügbar.

## WARNHINWEISE

- ! ACHTUNG: Verwenden Sie immer das Rückhaltesystem.
- ! Verwenden Sie immer Hüft-, Taillen- und Schultergurt gleichzeitig.
- ! Achten Sie vor der Verwendung darauf, dass alle Gurte geschlossen sind.
- ! ACHTUNG: Lassen Sie Ihr Kind nicht mit diesem Produkt spielen.
- ! ACHTUNG: Vergewissern Sie sich vor Gebrauch, dass alle Verriegelungen eingerastet sind.
- ! Der Zusammenbau muss von einem Erwachsenen durchgeführt werden.
- ! Bei Verwendung für Kinder mit einem Gewicht höher als 15 kg kann der Kinderwagen beschädigt werden.
- ! Um eine gefährliche Instabilität zu vermeiden, beladen Sie den Staukorb nicht mit mehr als 4,5 kg.
- ! Lassen Sie Ihr Kind niemals unbeaufsichtigt. Behalten Sie ein Kind im Kinderwagen stets im Auge.
- ! Legen Sie immer nur jeweils ein Kind in den Kinderwagen. Legen Sie niemals Geldbörsen, Einkaufstaschen, Pakete oder Zubehör auf den Griff oder das Verdeck.
- ! Überladen, falsches Zusammenklappen oder Verwendung von Teilen anderer Hersteller können den Kinderwagen beschädigen, unbrauchbar oder unsicher machen.
- ! Verwenden Sie niemals Ersatzteile von anderen Herstellern. Verwenden Sie nur vom Hersteller gelieferte oder empfohlene Ersatzteile.
- ! Lesen Sie alle Hinweise in dieser Anleitung, bevor Sie das Produkt verwenden. Wichtig – Bewahren Sie diese Gebrauchsanleitung für späteres Nachlesen gut auf. Die Nichtbeachtung dieser Warnhinweise könnte zu schweren oder tödlichen Verletzungen führen.
- ! Die Sicherheits- und Befestigungsgurte müssen richtig eingesetzt werden.
- ! Verwenden Sie stets den Sicherheitsgurt, um Verletzungen durch Herausfallen oder Herausrutschen zu vermeiden.
- ! Achten Sie bei den Einstellungen am Kinderwagen darauf, dass der Körper Ihres Kindes nicht mit den beweglichen Teilen in Kontakt kommt.
- ! Das Kind kann in die Beinöffnungen rutschen und ersticken, wenn die Gurte nicht angelegt sind.
- ! Transportieren Sie den Kinderwagen niemals über Treppenstufen oder Rolltreppen.
- ! Halten Sie den Kinderwagen von heißen/Hitze erzeugenden Gegenständen, Flüssigkeiten und Elektrogeräten fern.
- ! Lassen Sie Ihr Kind niemals im Kinderwagen stehen oder mit dem Kopf zur Vorderseite des Kinderwagens gerichtet sitzen.
- ! Stellen Sie den Kinderwagen niemals auf Straßen, an Hanglagen oder in Gefahrenbereichen ab.
- ! Achten Sie vor Verwendung des Kinderwagens darauf, dass alle Teile sachgemäß befestigt wurden.
- ! Platzieren Sie KEINE Gegenstände mit einem Band oder Faden um den Hals Ihres Kindes, hängen Sie KEINE Bänder oder Fäden an dieses Produkt und bringen KEINE Bänder oder Fäden an Spielzeugen an, damit sich das Kind nicht strangulieren kann.
- ! Jegliche am Griff, an der Rückseite der Rückenlehne oder an den Seiten des Kinderwagens angebrachte Last beeinträchtigt die Stabilität des Kinderwagens.
- ! Heben Sie den Kinderwagen NICHT an, wenn sich ein Kind darin befindet.
- ! Verwenden Sie den Staukorb NICHT als Kindersitz.
- ! Der Kinderwagen kann umkippen, wenn Ihr Kind darauf klettert. Heben Sie das Kind stets in den bzw. aus dem Kinderwagen.

- ! Seien Sie beim Auf- und Zusammenklappen des Kinderwagens vorsichtig, damit Sie sich die Finger nicht einklemmen.
- ! Stellen Sie sicher, dass der Kinderwagen vollständig geöffnet ist, bevor Sie das Kind hineinsetzen.
- ! Zur Gewährleistung der Sicherheit Ihres Kindes achten Sie vor der Verwendung des Kinderwagens darauf, dass alle Teile sachgemäß montiert und befestigt sind. Vergewissern Sie sich vor der Verwendung, dass der Kindersitz, die Sitzlehne oder die Befestigungselemente des Autositzes korrekt eingerastet sind.
- ! Zur Vermeidung einer Strangulation darf sich das Kind nicht an das Verdeck anlehnen oder sich damit bedecken.
- ! Ziehen Sie stets die Bremsen an, wenn Sie den Kinderwagen abstellen.
- ! Verwenden Sie den Kinderwagen nicht, wenn er defekt oder beschädigt ist.
- ! ACHTUNG Der Kinderwagen sollte nur mit Schrittgeschwindigkeit geschoben werden. Er ist nicht zum Joggen oder Skaten geeignet.
- ! Entfernen Sie zur Vermeidung von Erstickungsgefahr den Kunststoffbeutel und sämtliche Verpackungsmaterialien vor dem ersten Einsatz. Halten Sie Kunststoffbeutel und Verpackungsmaterialien von Säuglingen und Kindern fern.
- ! Für Kinder, die noch nicht selbständig sitzen können, sollte die Rückenlehne in die am stärksten geneigte Position gebracht werden.
- ! Nutzen Sie die Feststellbremse, wenn Sie das Kind hineinlegen oder herausnehmen.
- ! Auch wenn ein Kind in diesem Wagen gesichert durch Gurte liegen kann, ist er kein Ersatz für ein Bett. Falls Ihr Kind müde ist, sollten Sie es in einen geeigneten Kinderwagen, ein Gitter- bzw. Babybett legen.
- ! Seien Sie bei Verwendung auf beweglichen Fahrzeugen besonders vorsichtig; lassen Sie das Kind selbst bei festgestellter Bremse nicht unbeaufsichtigt.

## Montage des Kinderwagens

Lesen Sie bitte alle Hinweise in dieser Anleitung, bevor Sie dieses Produkt montieren und verwenden.

### Kinderwagen öffnen

Lösen Sie den Aufbewahrungsverschluss von der Befestigung ①, heben Sie den Handgriff nach oben ② - 1, und drücken Sie die Fußplatte mit dem Fuß nach unten ② - 2, Hören Sie, wie er einrastet, ist der Kinderwagen vollständig geöffnet.

- ! Prüfen Sie, ob der Kinderwagen vollständig offen ist, bevor Sie fortfahren.

### Vorderräder montieren

Montieren Sie die Vorderräder an der Vorderachse. Prüfen Sie durch Ziehen an den Rädern, ob diese sicher befestigt sind. ③

Entfernen Sie ein Vorderrad, indem Sie es von der Vorderradhalterung ④ - 2 lösen, während Sie den Freigabeknopf nach außen drücken. ④ - 1

### Hinterräder montieren

Montieren Sie die Hinterräder an der Hinterachse ⑤. Prüfen Sie durch Ziehen an den Rädern, ob diese sicher befestigt sind. Klemmen Sie den Bremszug zur Arretierung in die Halterungen unterhalb des Vierkanthrohrs. ⑥

### Verdeck anbringen

Schieben Sie die Clips des Verdecks in die Befestigung am Gestell ⑦ und befestigen Sie den hinteren Teil mit dem Klettverschluss und den Druckknöpfen ⑧. Der vollständig montierte Kinderwagen ist in Abbildung ⑨ dargestellt.

# Bedienung des Kinderwagens

## Rückenlehne anpassen

Es gibt 5 Neigungswinkel für die Rückenlehne.

Drücken Sie den Einstellknopf **10 - 1** zusammen und stellen Sie dann die Rückenlehne auf den gewünschten Neigungswinkel. **10 - 2**

Zum Hochstellen der Rückenlehne drücken Sie sie hoch.

! Vergewissern Sie sich, dass die Lehne korrekt eingestellt ist.

## Schnalle bedienen

### Verschluss öffnen

Drücken Sie die mittlere Taste, um den Verschluss freizugeben. **11**

### Verschluss verriegeln

Schieben Sie die Schnalle des Schultergurts in die Schnalle des Beckengurts **12 - 1** und befestigen Sie beide in der mittleren Schnalle. **12 - 2** Ein Klickgeräusch zeigt an, dass der Verschluss eingerastet ist. **12 - 3**

! Um schwere Verletzungen aufgrund von Herausfallen oder -gleiten zu verhindern, sichern Sie Ihr Kind stets mit Gurten ab.

! Vergewissern Sie sich, dass Ihr Kind rutschfest gehalten wird. Der Abstand zwischen dem Kind und dem Schultergurt sollte etwa die Dicke einer Hand betragen.

! Legen Sie die Schultergurte nicht überkreuz. Dadurch wird Druck im Nacken des Kindes aufgebaut.

## Schulter- & Taillengurte anlegen

! Nachdem Sie Ihr Kind in den Sitz gesetzt haben, prüfen Sie, ob die Schulter- und Taillengurte in der richtigen Höhe verlaufen und lang genug sind, um Ihr Kind vor dem Herausfallen zu schützen.

**13 - 1** Schultergurtverankerung A

**13 - 2** Schultergurtverankerung B

**13 - 3** Gurtversteller

Für ein größeres Kind muss die Schultergurtverankerung A und der oberste Schulterschlitze verwendet werden. Für ein kleineres Kind muss die Schultergurtverankerung B und der unterste Schulterschlitze verwendet werden.

Zur Verstellung der Position der Schultergurtverankerung drehen Sie die Verankerung so, dass sie mit der nach vorne weisenden Seite auf einer Ebene liegt. Führen Sie sie von hinten nach vorne durch den Schultergurtschlitz. **14** Führen Sie sie erneut durch den Schlitz, der der Schulterhöhe des Kindes am nächsten liegt. **15**

Ändern Sie die Gurtlänge mit dem verschiebbaren Gurtversteller. **16 - 1**

Betätigen Sie den Knopf **16 - 2**, während Sie den Hüftgurt in die richtige Länge ziehen. **16 - 3**

## Beinauflage anpassen

Es gibt 2 Positionen für die Beinauflage.

Beinauflage heben

Drücken Sie die Beinauflage zum Anheben einfach nach oben.

Beinauflage senken

Zum Absenken der Beinauflage betätigen Sie die Verstellknöpfe an beiden Seiten der Wadenstütze **17 - 1**, und drehen die Wadenstütze nach unten. **17 - 2**

## Vorderräder feststellen

Zum Feststellen der Vorderräder drücken Sie die vorderen Lenksperren nach oben. **18**

**Tipp** Auf unebenen Flächen sollten die Vorderräder festgestellt werden.

## Bremse bedienen

Zur Arretierung der Räder drücken Sie den Bremshebel mit dem Fuß nach unten. **19**

Lösen Sie die Räder, indem Sie den Bremshebel einfach nach oben ziehen. **19 - 1**

**Tipp** Verwenden Sie immer die Bremse, wenn Sie mit dem Kinderwagen anhalten.

**Tipp** Reinigen Sie das Bremssystem regelmäßig, damit es voll funktionsfähig bleibt. Beachten Sie dazu den Abschnitt Pflege und Wartung.

**Tipp** RStellen Sie vor Loslassen des Griffs sicher, dass die Bremse richtig festgestellt ist, indem Sie den Kinderwagen sanft vor- und zurückbewegen.

## Verdeck verwenden

Öffnen Sie das Verdeck, indem Sie es nach vorn ziehen und die Verstrebungen auf beiden Seiten herunter drücken. **20** Falten Sie das Verdeck, indem Sie die Verstrebungen auf beiden Seiten nach oben **20 - 1** und das Verdeck nach hinten ziehen.

## Kinderwagen zusammenklappen

! Bitte klappen Sie das Verdeck zusammen, bevor Sie den Kinderwagen zusammenklappen.

Ziehen Sie die Zusammenklapp-Platte nach oben **21** treten Sie das Zusammenklapppedal nach unten **22 - 1** und drücken Sie den Kinderwagen nach vorn, damit er sich zusammenklappt **22 - 2**. Die Aufbewahrungslasche hakt sich automatisch in die Halterung ein. Danach ist der Kinderwagen vollständig gefaltet und verriegelt. **23**

## Tragriemen verwenden

Sie können den Kinderwagen leicht tragen, indem Sie ihn am Tragriemen anheben. **24**

## Zubehör

Zubehör wird möglicherweise separat verkauft oder ist je nach Region nicht verfügbar.

## Regenschutz verwenden

Zur Befestigung des Regenschutzes legen Sie ihn über den Kinderwagen und bringen dann die Haken und Schlaufenbefestiger am Regenschutz an. **26**

! Bevor Sie das Regenverdeck verwenden, stellen Sie sicher, dass das Kind im Buggy angeschnallt ist.

! Bei Verwendung des Regenverdecks überprüfen Sie bitte regelmäßig die Belüftung.

! Wenn Sie das Regenverdeck nicht verwenden, stellen Sie sicher, dass es vor dem Zusammenfallen sauber und vollständig getrocknet ist.

! Lassen Sie das Regenverdeck nicht dauerhaft auf dem Buggy, um Rissen oder Beschädigungen vorzubeugen.

! Klappen Sie den Buggy nicht zusammen, wenn das Regenverdeck montiert ist.

! Setzen Sie Ihr Kind bei heißen Temperaturen nicht in den Buggy mit montiertem Regenverdeck.

## Verwendung der Armlehne siehe Abbildung **27 - 30**

## Pflege und Wartung

! Das abnehmbare Sitzkissen kann in kaltem Wasser gewaschen und zum Trocknen aufgehängt werden. Nicht bleichen.

! Reinigen Sie das Kinderwagengestell nur mit handelsüblicher Seife und warmem Wasser. Nicht bleichen oder mit Reinigungsmitteln bearbeiten.

! Untersuchen Sie Ihren Kinderwagen gelegentlich auf lockere Schrauben, abgenutzte Teile, verschlissene Materialien oder aufgerissene Nähte. Ersetzen oder reparieren Sie die Teile, falls erforderlich.

! Bei übermäßiger Sonnenbestrahlung oder Hitzeeinwirkung können Teile verbleichen oder sich verformen.

! Ist der Kinderwagen nass geworden, öffnen Sie das Verdeck und lassen Sie ihn komplett trocken werden, bevor Sie ihn verstauen.

! Bei quietschenden Rädern tragen Sie ein leichtes Öl auf (z. B. Silikonspray, Rostschutzöl oder Nähmaschinenöl). Es ist dabei wichtig, dass das Öl in die Achse und die Radverbindung gelangt. **25**

! Falls das Bremspedal steif / schwergängig ist, sollten Sie das Bremspedal gründlich mit sauberem Wasser abspülen und anschließend schmieren.

! Wenn Sie Ihren Kinderwagen am Strand oder an staubigen / sandigen Orten verwenden, sollten Sie ihn nach dem Einsatz gründlich reinigen, um Bremsmechanismen sowie Radbefestigung von Sand und Salz zu befreien.

Gefeliciteerd dat u nu lid bent van de Joie-familie! Het doet ons veel genoegen om deel te kunnen uitmaken van uw reis met uw kleintje. Bij het reizen met de Joie Nitro™ gebruikt u een hoogwaardige, volledig gecertificeerde wandelwagen, goedgekeurd volgens de Europese veiligheidsnormen EN 1888:2012. Dit product is geschikt voor gebruik met kinderen die minder dan 15 kg wegen. Lees deze handleiding zorgvuldig en volg elke stap om voor een comfortabele rit en de beste bescherming van uw kind te zorgen.

**BELANGRIJK: bewaar deze instructies zodat u ze later opnieuw kunt raadplegen.**

Bezoek ons op [joiebaby.com](http://joiebaby.com) om handleidingen te downloaden en nog meer interessante producten van Joie te zien.

Bezoek voor informatie over de [garantie onze website op joiebaby.com](http://joiebaby.com)

## Inhoud

|                                     |           |
|-------------------------------------|-----------|
| Afbeeldingen                        | 1-6       |
| Productinformatie                   | 38        |
| Onderdelenlijst                     | 38        |
| Waarschuwing                        | 39        |
| <b>Montage wandelwagen</b>          | <b>40</b> |
| Open wandelwagen                    | 40        |
| Voorwielen monteren                 | 40        |
| Achterwielen monteren               | 40        |
| Kap monteren                        | 40        |
| <b>Gebruik wandelwagen</b>          | <b>41</b> |
| Helling instellen                   | 41        |
| Riem gebruiken                      | 41        |
| Schouder- en middelriemen gebruiken | 41        |
| Kuitsteun instellen                 | 41        |
| Draaien voorwielen blokkeren        | 41        |
| Remmen                              | 42        |
| Kap opzetten                        | 42        |
| Wandelwagen invouwen                | 42        |
| Draagriem gebruiken                 | 42        |
| Accessoires                         | 42        |
| Verzorging en onderhoud             | 42        |

## Noodgeval

Bij een noodsituatie of een ongeluk is het heel belangrijk om uw kind direct te laten verzorgen met eerste hulp en medische behandeling.

## Productinformatie

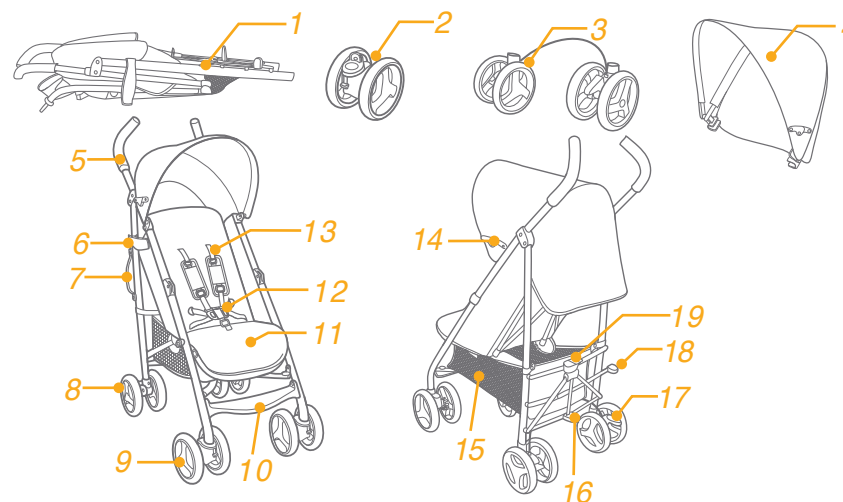
Lees alle aanwijzingen in deze handleiding voordat u het product gebruikt. Als u vragen hebt, kunt u contact opnemen met de verkoper. Sommige functies kunnen verschillen, afhankelijk van het model.

|                      |  |
|----------------------|--|
| <b>Product</b>       | <b>Nitro wandelwagen</b>   |
| <b>Geschikt voor</b> | <b>Kind met een maximaal gewicht van 15 kg (geboorte - 36 maanden)</b> |
| <b>Materialen</b>    | <b>Kunststoffen, metaal, geweven stoffen</b>                           |
| <b>Patentnr.</b>     | <b>Patenten aangevraagd</b>  |
| <b>Gemaakt in</b>    | <b>China</b>   |
| <b>Merksnaam</b>     | <b>Joie</b>  |
| <b>Website</b>       | <b><a href="http://www.joiebaby.com">www.joiebaby.com</a></b>          |
| <b>Fabrikant</b>     | <b>Allison Baby UK Ltd</b>   |

## Onderdelenlijst

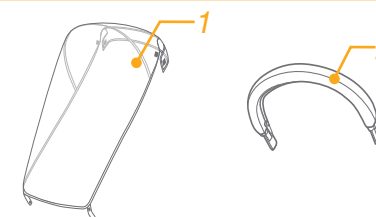
Zorg dat alle onderdelen voor het opslaan droog zijn. Als er items ontbreken of beschadigd zijn, kunt u contact opnemen met uw leverancier. Voor de montage is geen gereedschap nodig.

|                    |                 |                      |                      |
|--------------------|-----------------|----------------------|----------------------|
| 1 Wandelwagenframe | 6 Opberggrendel | 11 Kuitsteun         | 16 Voetplaat         |
| 2 Voorwiel (x2)    | 7 Draagriem     | 12 Gesp              | 17 Remgreep          |
| 3 Achterwielen     | 8 Achterwiel    | 13 Veiligheidsharnas | 18 Inklapbaar pedaal |
| 4 Kap              | 9 Voorwiel      | 14 Kapbeugel         | 19 Inklapbare plaat  |
| 5 Handgreep        | 10 Voetsteun    | 15 Opbergmand        |                      |



## Accessoires (niet meegeleverd)

- 1 Regendek (bij bepaalde modellen)
- 2 Armsteundek (bij bepaalde modellen)



## WAARSCHUWING

- ! WAARSCHUWING Gebruik altijd de veiligheidsriemen.
- ! WAARSCHUWING Gebruik altijd de kruisriem in combinatie met de middelgordel. Gebruik tevens het schouderharnas.
- ! WAARSCHUWING Controleer voor het gebruik of alle sluitingen goed vastzitten.
- ! WAARSCHUWING Laat uw kind niet met dit product spelen.
- ! Montage door volwassene vereist.
- ! Gebruik de wandelwagen voor een kind dat minder dan 15 kg weegt. Als het kind niet past, kan dit de wandelwagen beschadigen.
- ! Om een gevaarlijke en instabiele conditie te vermijden, moet u niet meer dan 4,5 kg in de opbergmand plaatsen.
- ! WAARSCHUWING! Laat uw kind nooit zonder toezicht achter. Let altijd op uw kind als het in de wandelwagen zit.
- ! Gebruik de wandelwagen met slechts één kind tegelijk. Leg nooit handtassen, boodschappentassen, pakjes of onderdelen van toebehoren op de greep of de kap.
- ! Overbelasting, onjuist opvouwen, of het gebruik van onderdelen van andere fabrikanten kan schade of een onveilige situatie voor de wandelwagen opleveren. Lees altijd eerst zorgvuldig de handleiding.
- ! Gebruik nooit accessoires, onderdelen of componenten die niet door de fabrikant zijn gemaakt of goedgekeurd. Lees altijd eerst zorgvuldig de handleiding.
- ! Gebruik uitsluitend vervangende onderdelen die zijn geleverd of aanbevolen door de fabrikant/distributeur.
- ! Veiligheidsriemen en zitsystemen moeten op de juiste wijze worden gebruikt.
- ! Om ernstig letsel te vermijden door vallen of uit de wagen glijden, moet u altijd de riemen gebruiken.
- ! Zorg er voor dat het lichaam van uw kind geen bewegende onderdelen raakt bij het aanpassen van de wandelwagen..
- ! Het kind kan in de beenopeningen glijden en gewurgd worden als het harnas niet wordt gebruikt.
- ! Gebruik de wandelwagen nooit op trappen of roltrappen.
- ! Uit de buurt houden van voorwerpen, vloeistoffen en elektronica met een hoge temperatuur.
- ! Laat uw kind nooit in de wandelwagen staan of met het hoofd naar de voorkant van de wandelwagen zitten.
- ! Plaats de wandelwagen nooit op wegen, hellingen of gevaarlijke gebieden.
- ! Zorg ervoor dat alle mechanismen vastgezet zijn voordat u de wandelwagen gebruikt.
- ! Om verstikking te voorkomen, moet u GEEN voorwerpen met een koord rond de hals van uw kind hangen, de koorden van dit product laten hangen of koorden aan speelgoed bevestigen.
- ! Elke last bevestigd aan de greep en/of op de achterkant van de rugsteun of de zijkanten van de wandelwagen beïnvloeden de stabiliteit van de wandelwagen.
- ! Til de wandelwagen NIET op als daar een kind in zit.
- ! Gebruik de opbergmand NIET om een kind in te plaatsen.
- ! Om omvallen te voorkomen, moet u het kind nooit in de wandelwagen laten klimmen. Til het kind altijd in en uit de wandelwagen.
- ! Om afgeklemd vingers te voorkomen, moet u opletten bij het in- en uitvouwen

van de wandelwagen.

- ! Zorg ervoor dat de wandelwagen volledig geopend of dichtgevouwen is voordat u uw kind in de buurt laat komen.
- ! Om voor de veiligheid van uw kind te zorgen, moet u ervoor zorgen dat alle onderdelen goed zijn gemonteerd en vastgezet voordat u de wandelwagen gebruikt.
- ! Om verstikking te voorkomen, moet u er voor zorgen dat uw kind niet door de kap wordt bedekt.
- ! Gebruik altijd de remmen bij het parkeren van de wandelwagen.
- ! Gebruik de wandelwagen niet meer als deze is beschadigd of kapot is.
- ! De wandelwagen mag alleen met een loopsnelheid gebruikt worden. Dit product is niet bedoeld voor gebruik tijdens het joggen.
- ! Om verstikking te voorkomen, moet u de plastic zak en verpakkingsmaterialen verwijderen buiten bereik van baby's en kinderen.
- ! Dit product is niet geschikt om mee te rennen of rolschaatsen.
- ! Wandelwagen ontworpen voor gebruik vanaf de geboorte, gebruik de meest vlakke stand voor pasgeboren baby's.
- ! Bij het plaatsen en verwijderen van het kind moet de parkeerrem geactiveerd zijn.
- ! Om letsel te voorkomen, moet u uw kind uit de buurt houden tijdens het open- of samenvouwen van dit product.
- ! Men moet extra voorzichtig zijn bij gebruik in bewegende voertuigen en het kind moet niet onbeheerd achter worden gelaten, zelfs niet wanneer de rem is geactiveerd.
- ! Men moet extra voorzichtig zijn bij gebruik in bewegende voertuigen en het kind moet niet onbeheerd achter worden gelaten, zelfs niet wanneer de rem is geactiveerd.

## Montage wandelwagen

Lees alle aanwijzingen in deze handleiding voordat u het product opzet en gebruikt.

### Open wandelwagen

Maak de opberggrendel los van de opbergbeugel **1** en til de hendel omhoog **2 - 1**, druk de voetplaat omlaag met uw voet **2 - 2**, als u een klik hoort, betekent dit dat de wandelwagen volledig geopend is.

- ! Controleer of de wandelwagen volledig open is gezet voor u doorgaat.

### Voorwielen monteren

Monteer de voorwielen aan de voorpoten. Controleer of de wielen goed vast zitten door ze omlaag te trekken. **3**

Om het voorwiel te demonteren, trekt u het van de voorpoot **4 - 2** terwijl u de vergrendeltabs naar buiten drukt. **4 - 1**

### Achterwielen monteren

Monteer de achterwielen op de achterpoten **5**. Controleer of de wielen goed vast zitten door ze omlaag te trekken.

Klik de remkabel in de bevestigingstabs onder de vierkante buizen om deze vast te zetten. **6**

### Kap monteren

Lijn de gaten van de kaphouders uit met de bevestigingspunten op de buizen en steek ze er in om de kap te monteren **7**, maak de haak- en lusbevestiging vast en druk op de knoppen om de achterkant van de kap op de

rugsteun te bevestigen. **8**

De volledig gemonteerde wandelwagen wordt afgebeeld in **9**

## Gebruik wandelwagen

### Leuning aanpassen

De rugsteun heeft 5 hoeken.

Druk de instelknop in **10 - 1** en stel de rugsteun onder de gewenste hoek in. **10 - 2**

Druk de rugsteun omhoog om hem rechtop te zetten.

! Controleer of de helling goed is ingesteld.

### Riem gebruiken

#### Maak de gesp los

Druk op de knop in het midden om de riem los te maken. **11**

#### Riem vastmaken

Verbind de gesp van de middelriem met de schouderriem **12 - 1** en klik deze in de middengesp. **12 - 2**

Een klikkend geluid betekent dat de riem vergrendeld is. **12 - 3**

! Om ernstig letsel te voorkomen door uit de stoel vallen of glijden, moet u uw kind altijd met de riemen vastzetten.

! Zorg er voor dat uw kind goed vast zit. De ruimte tussen het kind en de schouderriemen moet ongeveer de dikte van een hand zijn.

! De schouderriemen NIET kruisen. Dat veroorzaakt druk op de nek van het kind.

### Schouder- en middelriemen gebruiken

! Om te voorkomen dat uw kind uit de stoel valt, moet u controleren of de schouder- en middelriemen op de juiste hoogte en lengte zitten.

- 13 - 1** Schouderriemanker A
- 13 - 2** Schouderriemanker B
- 13 - 3** Instelling

Gebruik voor een groter kind schouderriemanker A en de hoogste schouderleuven. Gebruik voor een kleiner kind schouderriemanker B en de laagste schouderleuven.

Om de positie van het schouderriemanker aan te passen, draait u het anker zodat het gelijk ligt met de kant die naar voren kijkt. Geleid deze van achter naar voor door de sleuf voor de schouderriem. **14** Steek deze vervolgens opnieuw door de sleuf die het dichtst bij de schouderhoogte van het kind zit. **15**

Gebruik de schuifregelaar om de lengte van de riemen in te stellen. **16 - 1**

Druk op knop **16 - 2** terwijl u de middelriem op de juiste lengte trekt. **16 - 3**

### Kuitsteun aanpassen

De kuitsteun heeft 2 standen.

Kuitsteun naar boven

Breng de kuitsteun omhoog door deze omhoog te drukken.

Kuitsteun naar beneden

Druk op de instelknoppen aan weerskanten van de kuitsteun **17 - 1** en draai de kuitsteun omlaag. **17 - 2**

### Blokkering voorwielen

Druk de blokkering van de voorwielen omhoog om de bewegingsrichting te behouden. **18**

**Tip** Aanbevolen wordt om de draaiblokkering op ongelijke oppervlakken te gebruiken.

## Remmen

Trap de remhendel omlaag om de wielen te blokkeren. **19**

Licht de remhendel op om de wielen vrij te geven. **19 - 1**

**Tip** Gebruik de rem altijd als de wandelwagen stil staat.

**Tip** Reinig het remsysteem regelmatig om ervoor te zorgen dat het volledig functioneel is. Zie het hoofdstuk Verzorging en onderhoud.

**Tip** Om ervoor te zorgen dat de rem volledig geactiveerd is, moet u de wandelwagen voorzichtig naar achteren en naar voren schommelen voordat u de handgreep loslaat.

## Gebruik van de kap

Om de kap te openen, trekt u deze naar voren en drukt u de steunen aan weerskanten omlaag. **20**

Om de kap op te vouwen, trekt u de steunen aan beide kanten omhoog **20 - 1** en trekt u de kap naar achteren.

## Wandelwagen opvouwen

! Vouw de kap op voordat u de kinderwagen opvouwt.

Licht de opklapbare plaat op **21**, druk het inklappedaal omlaag **22 - 1**, druk de wandelwagen naar voren om hem op te vouwen **22 - 2**. De opberggrendel haakt automatisch vast aan de opbergbeugel en daarna is de wandelwagen volledig opgevouwen en vergrendeld. **23**

## Draagriem gebruiken

U kunt de wandelwagen gemakkelijk dragen door de draagriem op te tillen. **24**

## Accessoires

Accessoires kunnen al dan niet apart leverbaar zijn, afhankelijk van de regio.

## Regenkap gebruiken

Om de regenkap te monteren, plaatst u deze over de kinderwagen, waarna u de 4 haken en lussen van de kap vastzet. **25**

! Controleer altijd op voldoende ventilatie als u de regenkap gebruikt.

! Controleer of de regenkap schoon en droog is voor u ze opvouwt.

! Vouw de wandelwagen niet op als de regenkap gemonteerd is.

! Zet uw kind niet bij warm in de wandelwagen als de regenkap gemonteerd is.

## De armsteun gebruiken

zie afbeeldingen **27 - 30**

## Verzorging en onderhoud

! Het uitneembare kussen van het zitje mag met koud water worden gewassen en te drogen gehangen. Geen bleekmiddel.

! Gebruik voor het schoonmaken van het frame alleen zeep en warm water. Geen bleekmiddel of schoonmaakmiddelen.

! Controleer de wandelwagen van tijd tot tijd op losse schroeven, slijtage, scheuren en beschadigde naden. Vervang of herstel de onderdelen als dat nodig is.

! Overmatige blootstelling aan zon of warmte kan vervagen of vervormen van onderdelen veroorzaken.

! Als de wandelwagen nat is geworden, moet u de kap openen en hem laten drogen voordat u hem opbergt.

! Als de wieltjes piepen, moet u dunne olie gebruiken (bijvoorbeeld siliconenspray, antiroest-olie of naaimachine-olie). De olie moet in de as en het wielstel komen. **25**

! Als het rempedaal stijf is/moeilijk ingetrapt kan worden, spoelt u eerst al het vuil uit het remsysteem met schoon water voordat u gaat smeren.

! Als u de wandelwagen op het strand of in gebieden met veel stof/zand gebruikt, moet u hem goed schoonmaken na het gebruik om alle zand en zout van het remmechanisme en de wielen te verwijderen.

Complimenti per avete diventato parte della famiglia Joie! Siamo felici di essere con voi nel cammino del piccolo. Mentre passeggiate con Nitro™, si utilizza un carello di alta qualità, completamente certificato e approvato dalle norme di sicurezza europee EN 1888:2012. Il prodotto è adatto per i bambini con un peso massimo di 15 kg. Leggete attentamente questo manuale e seguite ogni passo per assicurare un paseggio confortevole e la migliore protezione per il vostro bambino.

## IMPORTANTE - Tenete questo istruzioni per un riferimento futuro.

Visitate il nostro sito [joiebaby.com](http://joiebaby.com) per scaricare il manuale e vedere più prodotti Joie!

Per informazioni sulla garanzia, visitare il nostro sito internet all'indirizzo [joiebaby.com](http://joiebaby.com)

## Contenuto

|   |           |
|---|-----------|
| Figure  | 1-6       |
| Informazioni sul prodotto                               | 44        |
| Elenco parti  | 44        |
| Avvertenze  | 45-46     |
| <b>Montaggio del carello</b>                            | <b>46</b> |
| Apertura del carello                                    | 46        |
| Montaggio delle ruote anteriori                         | 46        |
| Montaggio delle ruote posteriori                        | 46        |
| Montaggio della tenda                                   | 46        |
| <b>Funzionamento del carello</b>                        | <b>47</b> |
| Regolazione del grado di inclinazione                   | 47        |
| Utilizzo della fibbia                                   | 47        |
| Utilizzo delle cinture di protezione                    | 47        |
| Regolazione del supporto                                | 47        |
| Utilizzo meccanismo di bloccaggio della ruota anteriore | 47        |
| Utilizzo del freno                                      | 47        |
| Utilizzo della tenda                                    | 48        |
| Piegatura del carello                                   | 48        |
| Utilizzo del nastro di trasporto                        | 48        |
| Accessori   | 48        |
| Cura e manutenzione                                     | 48        |

## Emergenze

In caso di una emergenza o di un incidente, è molto importante prendersi cura del vostro bambino fornendo il pronto soccorso o cure mediche immediate.

## Informazioni sul prodotto

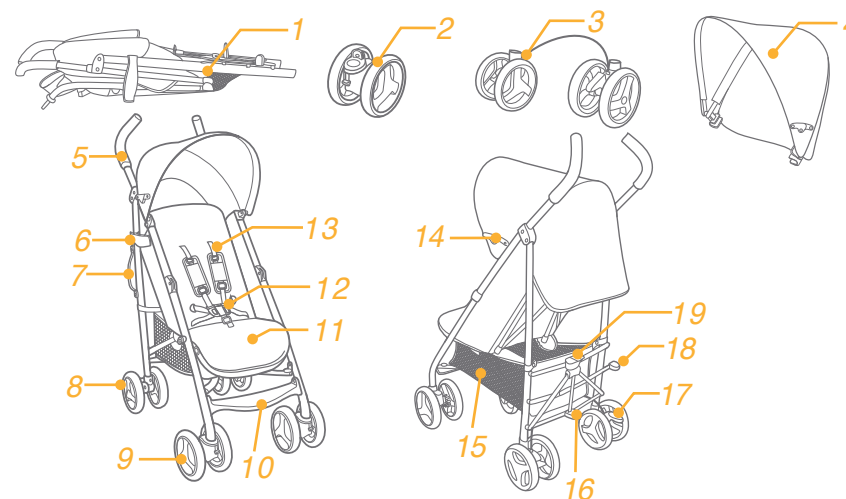
Leggete tutte le istruzioni di questo manuale prima di utilizzare il prodotto. Se avete domande, rivolgetevi al vostro rivenditore. Alcune funzioni possono variare a seconda del modello.

|                      |  |
|----------------------|--|
| <b>Prodotto</b>      | <b>Carello Nitro</b>   |
| <b>Adatto per</b>    | <b>bambini con un peso massimo di 15kg (dalla nascita a 36 mesi)</b> |
| <b>Materiali</b>     | <b>plastica, metallo, tessuti</b>                                    |
| <b>No. brevetto</b>  | <b>in attesa</b>   |
| <b>Realizzato in</b> | <b>Cina</b>  |
| <b>Marchio</b>       | <b>Joie</b>  |
| <b>Pagina web</b>    | <b><a href="http://www.joiebaby.com">www.joiebaby.com</a></b>        |
| <b>Produttore</b>    | <b>Allison Baby UK Ltd</b>   |

## Elenco parti

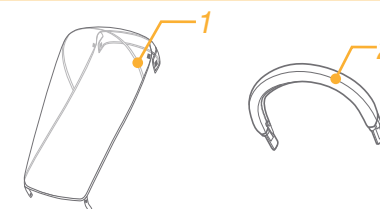
Prima del montaggio, assicuratevi che tutte le parti sono disponibili. Se mancano parti, contattate il rivenditore locale. Per il montaggio non è bisogno di attrezzi.

|                        |                         |                          |                      |
|------------------------|-------------------------|--------------------------|----------------------|
| 1 Struttura carrello   | 6 Elemento di fissaggio | 11 Supporto              | 16 Poggiapiedi       |
| 2 Ruota anteriore (x2) | 7 Cinghia da trasporto  | 12 Fibbia                | 17 Leva del freno    |
| 3 Le ruote posteriori  | 8 Ruota posteriore      | 13 Cinture di sicurezza  | 18 Pedale piegatura  |
| 4 Coperto              | 9 Ruota anteriore       | 14 Estensione tenda      | 19 Piastra piegatura |
| 5 Maniglia             | 10 Poggiapiedi          | 15 Cestino di stoccaggio |                      |



## Accessori (potrebbero non essere inclusi)

- 1 Parapioggia
- 2 Supporto per le braccia



## ATENȚIONĂRI

- ! **ATTENZIONE** Utilizzare sempre il sistema di sicurezza.
- ! **ATTENZIONE** Utilizzate il spalato in combinazione con la cintura centrale. Anche le cinture di protezione devono essere utilizzate.
- ! **ATTENZIONE** Prima di utilizzare assicuratevi che tutti i dispositivi di bloccaggio vengono azionati.
- ! **ATTENZIONE** Non permettere al bambino di giocare con il prodotto.
- ! È necessario che un adulto realizzi il montaggio.
- ! Il carrello si utilizza per bambini che pesano massimo 15 kg. Un peso improprio può causare danni al carrello.
- ! Per evitare una condizione pericolosa, instabile non mettere un peso maggiore di 4,5 kg nel cestino di stoccaggio.
- ! **AVVERTENZA** Non lasciare mai il bambino incustodito. Guardate sempre il bambino mentre è nel carrello.
- ! Utilizzate il carrello solo per un bambino. Mai depositare borse, sacchetti, pacchetti o accessori nel manico o la tenda.
- ! In caso di sovraccarico, il piego in un modo improprio o l'uso di componenti di altri produttori può provocare danni al carrello, distruggerlo o renderlo insicuro. Leggete attentamente il manuale di istruzioni.
- ! Non usate mai il carrello con parti di altri produttori.
- ! Leggete tutte le istruzioni riportate nel manuale prima di utilizzare il prodotto. Conservate il manuale di istruzioni per un riferimento futuro. Se non seguite queste avvertenze e le istruzioni, le conseguenze potrebbero essere gravi lesioni o la morte.
- ! Le cinture di sicurezza e i sistemi di mantenimento dovrebbero essere usati correttamente.
- ! Per evitare lesioni gravi provocate da cadute o scorse, utilizzate sempre le cinture di sicurezza.
- ! Assicuratevi che quando regolate il carrello il bambino è lontano dalle parti in movimento.
- ! Il bambino può scivolare tra aperture per le gambe e potrebbe essere strangolato se non si utilizzano le imbracature.
- ! Non utilizzate mai il carrello sulle scale o scale mobili.
- ! Tenete il prodotto lontano da oggetti ad alta temperatura, liquidi o oggetti elettronici.
- ! Non permettere mai al bambino di stare in piedi nel carrello o essere collocato con la testa verso la parte anteriore del carrello.
- ! Non mettete il carro nelle strade, piste o aree pericolose.
- ! Assicuratevi che tutti i meccanismi sono impostati correttamente prima di usare il carrello.
- ! Per evitare lo strangolamento, non individuare articoli con una cintura intorno al collo del bambino, elementi di sospensione del prodotto o allegare quote ai giocattoli.
- ! Per evitare il ribaltamento, non mettere nulla sul manico
- ! Non sollevate il carrello con il bambino all'interno.
- ! **NON** usate il carrello per portare il bambino.
- ! Per evitare il ribaltamento, non permettete al bambino di cavalcare sul carrello. Sollevate sempre il bambino del e nel carrello.
- ! Per evitare di schiacciarsi le dita, aprire e piegare il carrello attentamente.
- ! Assicuratevi che il carrello è completamente aperto o piegato prima di consentire ai bambini di essere vicini al carrello.
- ! Per la sicurezza del bambino, assicuratevi che tutti i componenti vengono assemblati e fissati opportunamente prima di usare il carrello.
- ! Per evitare lo strangolamento, assicuratevi che è un notevole divario tra il bambino e la tenda.

- ! Quando si arresta il carrello, sempre attivati i freni.
- ! Non utilizzate mai il carrello se è difetto o danneggiato.
- ! Il carrello deve essere utilizzato ad una velocità di passeggio. Il prodotto non è destinato ad essere utilizzato per correre.
- ! Per evitare il soffocamento, prima di utilizzare questo prodotto, rimuovete i sacchetti di plastica e i materiali di imballaggio. I sacchetti di plastica e i materiali di imballaggio devono quindi essere tenuti lontano dai neonati e bambini.
- ! Il prodotto non è adatto per l'uso mentre correte o camminate con i pattini.
- ! La progettazione dell'amaca è di essere utilizzato fin dalla nascita, e per neonati è consigliato l'utilizzo in posizione di massima inclinazione
- ! Il dispositivo di parcheggio deve essere attivato nel collocamento o il sollevamento del bambino.
- ! Per evitare lesioni assicuratevi che tenete il bambino lontano quando aprite e piegate il prodotto.
- ! È necessario prestare la massima attenzione se viene utilizzato su veicoli in movimento e il bambino non deve essere lasciato incustodito, anche con i freni inseriti.

## Il montaggio del carrello

Leggete tutte le istruzioni di questo manuale prima di montare ed utilizzare il prodotto.

### Aprire il carrello

Separate il dispositivo di chiusura del elemento di fissaggio ①, quindi sollevate la maniglia verso in alto ② - 1, spingete la piastra in basso ② - 2, se si sente un botto, significa che il prodotto è completamente aperto.

! Verificate se il prodotto è completamente aperto prima di continuare.

### Montaggio delle ruote anteriori

Montate le ruote anteriori ai supporti anteriori. Controllare se le ruote sono fissate correttamente tirando le assemblee delle ruote ③. Per rimuovere le ruote anteriori, distaccate le ruote dei piedini anteriori ④ - 2, mentre premete i elementi di rilascio al di fuori ④ - 1

### Montaggio delle ruote posteriori

Montate le ruote posteriori ai supporti posteriori. ⑤. Controllare se le ruote sono fissate correttamente tirando le assemblee delle ruote, Collegate il cavo del freno nella posizione di fissaggio sotto la barra rettangolare per fissarlo ⑥

### Montaggio della tenda

Allineate i fori della tenda con i titolari della barra e quindi immettete questi nel intero della tenda ⑦, catturate il gancio e i elementi di fissaggio, collegate i pulsanti per collegare la tenda sul retro ⑧

Il carrello completamente assemblata è indicato come ⑨

## Funzionamento del carrello

### Regolazione del grado di inclinazione

Lo schienale ha 5 gradini.

Premete il pulsante di regolazione ⑩ - 1, quindi impostate la schiena all'angolazione desiderata ⑩ - 2

Per sollevare la schiena, spingete verso l'alto.

! Assicuratevi che il meccanismo di inclinazione viene usato correttamente.



## Utilizzo della fibbia

### Rilasciare la fibbia

Premete il pulsante centrale per liberare la fibbia **11**

### Bloccaggio della fibbia

Allacciate le cinture di sicurezza **12 - 1**, e poi inserire nella leva centrale **12 - 2**. Un cricchetto significa che è completamente chiusa **12 - 3**

! Per evitare una lesione grave causata da caduta o scivolo, sempre proteggete il bambino con le cinture di sicurezza.

! Assicuratevi che il bambino è impostato con fermezza. Lo spazio tra il bambino e le cinture di sicurezza è di circa un schiaffo.

! Non incrociate le cinture di sicurezza. Il collo del bambino è sottoposto a tale pressione.

## Utilizzo delle cinture di protezione

! Per proteggere il bambino di cadute, dopo che posizionate il bambino nel seggiolino, controllate se le cinture di protezione sono a una altezza e lunghezza appropriata.

**13 - 1** Dispositivo di bloccaggio cinture di protezione per la spalla A

**13 - 2** Dispositivo di bloccaggio cinture di protezione per la spalla B

**13 - 3** Dispositivo di Controllo

Per bambini più grandi utilizzate il dispositivo di bloccaggio cinture di protezione per la spalla A e i fori più alti.

Per bambini più piccoli, utilizzate il dispositivo di bloccaggio cinture di protezione per la spalla B e i fori più bassi.

Per regolare la posizione utilizzate il dispositivo di fissaggio delle cinture di sicurezza per la spalla, ruotando il dispositivo al livello della parte anteriore. Tirate il dispositivo tra il foro per la cinghia a indietro nella parte anteriore **14**. Tirate di nuovo il dispositivo tra il foro più vicino all'altezza delle spalle del bambino **15**

Utilizzate il dispositivo di regolazione per modificare la lunghezza delle cinture imbracatura **16 - 1**

Premete il pulsante **16 - 2**, tirando il nastro centrale alla lunghezza desiderata **16 - 3**

## Regolazione del supporto

Il supporto ha 2 posizioni.

Aumentare il sostegno

Per alzare il sostegno, spingete verso l'alto.

Abbassamento del supporto

Premete i pulsanti di impostazioni su entrambi i lati del supporto **17 - 1**, e abbassate il supporto **17 - 2**

## Utilizzo meccanismo di bloccaggio della ruota anteriore

Tirate i dispositivi di blocco del asse posteriore per mantenere la direzione di movimento. **18**

**Consiglio** Si raccomanda di utilizzare i meccanismi di bloccaggio girevoli su superfici irregolari.

## Utilizzo del freno

Per bloccare le ruote, premete il piede sulla leva del freno **19**

Per liberare le ruote, sollevate la leva **19 - 1**

**Consiglio** Sempre premete il freno quando il passeggino è fermo.

**Consiglio** Pulire periodicamente l'impianto frenante per assicurarsi che sia completamente funzionante. Vedere la sezione assistenza e manutenzione.

**Consiglio** Per garantire che il freno sia completamente inserito, far oscillare delicatamente il passeggino avanti e indietro prima di rilasciare la maniglia.

## Utilizzo della tenda

Per aprire la tenda, tirate la tenda avanti e premete le estensioni sui lati **20**

Per piegare la tenda, tirate l'estensioni sui lati **20 - 1** e tirate la tenda indietro.

## Piegare del carello

! Prima di piegare il carello, piegate la tenda.

Sollevate la piastra di piegatura **21**, premete il pedale pieghevole **22 - 1**, spingete il carello prima di piegarlo **22 - 2**. Il meccanismo di bloccaggio si cattura automaticamente del dispositivo di fissaggio; il carello è piegato e bloccato completamente **23**

## Utilizzo del nastro di trasporto

Si può facilmente portare il carello sollevando con la cinghia di trasporto **24**

## Accessori

Gli accessori possono essere commercializzati separatamente o è possibile di non essere disponibile a seconda della regione.

## Utilizzo parapioggia

Per montare la copertura antipioggia, posizionarla sopra il passeggino, quindi inserire i ganci e le chiusure sulla copertura antipioggia. **26**

! Quando si utilizza la parapioggia controllate sempre la ventilazione.

! Quando non si utilizza, controllate se la parapioggia è stata pulita e asciugata prima della piegatura.

! Se la parapioggia è sul carrello rimuovetela sempre per evitare il taglio e i danni.

! Durante la stagione calda, non mettete il vostro bambino nel carello che ha assemblata la parapioggia.

## Utilizzo supporto per le braccia vedere le immagini **27 - 30**

## Îngrijire și întreținere

! Il cuscino per la seduta rimovibile può essere lavata con acqua fredda e asciugata senza pieghe. Non utilizzate sbiancamento.

! Per pulire il quadro del carrello, usate solo sapone di Marsiglia e acqua calda. Non usate agenti di sbiancamento o detersivi.

! Occasionalmente controllate il carrello per viti allentati, parti usurate, materiali strappati o oggetti incollati. Sostituite o riparate quelle parti secondo le necessità.

! Una esposizione eccessiva ai raggi solari o al calore può causare scolorimento o deformazioni delle parti.

! Se il carrello è umido, aprite la tenda e lasciatelo asciugarsi completamente prima di depositarlo.

! Se le ruote squittiscono, utilizzate un olio leggero (per esempio Spray al silicio, olio contro il ruggine o olio per la macchina da cucire). È importante di mettere l'olio nel sistema delle ruote o nel'asse **25**

! Se il pedale del freno è rigido/difficile da innestare completamente, sciacquare eventuali detriti dall'impianto frenante con acqua pulita prima di procedere alla lubrificazione.

! Quando si utilizza il passeggino in spiaggia o in aree con molta polvere/sabbia, pulire completamente il passeggino dopo l'uso per rimuovere sabbia e sale dai meccanismi dei freni e dai gruppi ruota.

Joie ailesine girdiginizin icin tebrik ederiz! Kucugun seyhatini sizinle beraber olmak cok seviniriz. Joie Nitro™ yurudugunuz zaman ve yuksek kaliteli bir puset kullanin, komple tasdikli, EN 1888:2012 avrupa standartlarina gore onayli. Urun eb fza 15 Kg cocugularin icin tasarlanmistir. Isbu klavuz cok dikkatli okunuz ve cocugunuz en iyi korunmasi icin ve rahat bir gezmekicin tum adimlarin uygulanin.

## ONEMLI- Kullanim kilavuzu ileride referans olarak kullanmak uzere saklayiniz.

Klavuzlarin yuklenmesi icin Joiebaby.comadresine ziyaret edin v daha fazla Joie ilginic urunlerin gorun Garanti bilgisi icin lutfen joiebaby.com adresindeki web sitemizi ziyaret edin

## Icindekiler

|  |           |
|--|-----------|
| Fotograflar  | 1-6       |
| Urunile ilgili bilgileri                             | 50        |
| Parca listesi  | 50        |
| Uyarilar   | 51-52     |
| <b>Puset Montaji</b>                                 | <b>52</b> |
| Puset acmasi   | 52        |
| On tekerleklerin montaji                             | 52        |
| Raka tekerlekleri montaji                            | 52        |
| Golgelik montaji                                     | 52        |
| <b>Puset calismasini</b>                             | <b>53</b> |
| Egi ayarlanmasi                                      | 53        |
| Tokanin kullanmasini                                 | 53        |
| Emniyet kemerleri kullanmasini                       | 53        |
| Cercevesi ayarlanmasi                                | 53        |
| On tekerleklerin bloke edilen mekanisma kullanmasini | 53        |
| Fren kullanmasini                                    | 54        |
| Golgelik kullanmasini                                | 54        |
| Puset katlanmasi                                     | 54        |
| Nakliye icin kemer kullanmasini                      | 54        |
| Aksesuarlar  | 54        |
| Bakim ve onarim                                      | 54        |

## Acil

Acil ve kaza durumlarda, ilk once cocugunuz bakim ve ilk yardim ve tedavi vermek cok önemlidir.

## Urunile ilgili bilgileri

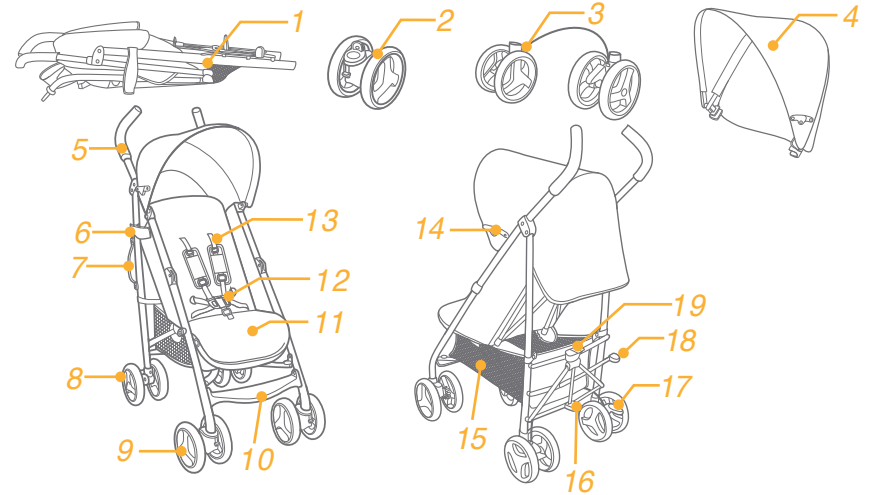
Urunun kullanmadan once kullanma klavuzundan tum talimatlarin okunun. Eger sorun varsa tucarinin arayin. Bazen ozellikler modele gore degisir.

|                         |  |
|-------------------------|--|
| <b>Urun</b>             | <b>Nitro puseti</b>                                      |
| <b>Uygunluk</b>         | <b>en fazla 15kg cocuguklari icin (dogum - 36 aylık)</b> |
| <b>Malzeme</b>          | <b>Plastik, Demir ve kumas</b>                           |
| <b>Patent no.</b>       | <b>Alinmak durumda</b>                                   |
| <b>Uretilmis ulkede</b> | <b>Cin</b>   |
| <b>Markasi</b>          | <b>Joie</b>  |
| <b>Web sayfası</b>      | <b>www.joiebaby.com</b>                                  |
| <b>Uretici</b>          | <b>Allison Baby UK Ltd</b>                               |

## Parca listesi

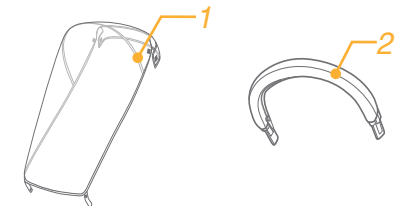
Montaj icin tum parcalari kullanilabilir oldugundan emin olun. Parcalari eksik olursa , yerel tucarin ile irtibat kurun. Montaj icin alet gerekmez.

|                        |                      |                       |                       |
|------------------------|----------------------|-----------------------|-----------------------|
| 1 Puset cercevesi      | 6 Sabitlesme elemani | 11 Dayaklamak         | 16 Bacak koyma yeri   |
| 2 On tekerlekleri (x2) | 7 Nakliye kemeri     | 12 Toka               | 17 Fren kolu          |
| 3 Arka tekerlekler     | 8 Arka tekerlekleri  | 13 Emniyet kemerleri  | 18 Katlanabilir pedal |
| 4 Golgelik             | 9 On tekerlek        | 14 Golgelik eki       | 19 Katlama plakasi    |
| 5 Kol                  | 10 Bacak koyma yeri  | 15 Esya tasima sepeti |                       |



## Aksesuarlar (Satın alınan urune dahil olmayabilir)

- 1 Yağmur kapak
- 2 tampon çubuğu kumaş örtü



## UYARILAR

- ! UYARI! Emniyet sistemi kullanınız.
- ! DİKKAT Catalli cihazı bel kemeri ile beraber kullanın. Ayrıca emniyet kemerlerin kullanılmasına gerekiyor.
- ! DİKKAT Kullanmaktan önce, tüm mandalların aktif olduğundan emin olun
- ! DİKKAT Çocuk ürünü ile oynamasını bırakmayın.
- ! Montajı yetkinler tarafından yapılır.
- ! Puset maksimum 15 kg a kadar çocuklar için üretilmiş. Yanlış bir ağırlık puseti bozabilir
- ! Telikli şartları ve sabitleme eksikliğini önlemesi için , esya taşıma sepetinde 4,5 Kg fazla ağırlık koymayın.
- ! UYARI! Çocuğunuzu asla gözetimsiz bırakmayınız. Puset icinden bulunduğunuz zaman her zaman çocuğunuzu bakın.
- ! Puseti sağdece çocuğu için kullanın. Puset kollarına ve gölgeliklerine cantalar, alışveriş ile içinde bulunan poşetlerin, paket veya aksesuarları koymayın.
- ! Fazla yük koyduğunuz zaman, yanlış katlamadığı zaman veya başka üreticinin parçaları kullandığınız zaman puset hasarlanabilir, bozabilir ve sabit olmayabilir. Kullanma Klavuzuna çok dikkatle okunun.
- ! Başka üreticilerden parçalarını pusetine kullanmayın
- ! Çocuğunuzu yalnız bırakmak tehlikeli olabilir. Puset icinden bulunduğunuz zaman her zaman çocuğunuzu bakın. İşbu uyarıların ve kullanma klavuzunun yazılanların uygulanmaması tehlikeye veya olumsuz sonuçlara yol açabilir.
- ! Emniyet kemerleri ve bagajlama sistemleri doğru kullanmasına gerekiyor.
- ! Kayma veya düşmeden önce ağır yaralamalar önlemesi için, her zaman emniyet kemerlerin bağalayın
- ! Puset ayarlamaları yapıldığı zaman , pusetin hareket eden yerlerde yanında çocuğu olmadığına emin olun.
- ! Emniyet kemerlerin kullanmadığınız zaman, ayak için boş yerlerde çocuğu kayabilir ve bogulabilir.
- ! Merdivenlerin veya yürüyen merdivenlerinde puseti kullanmayın.
- ! Yüksek sıcaklıkta, sıvı ve elektronik nesnelere uzak tutun
- ! Çocuğu, puset içinde ayakta durmasını veya kafasını puset önünde durmasını bırakmayın.
- ! Sokakta, egim pozisyona ve tehlikeli yerlerde bırakmayın
- ! Puset kullanmadan önce tüm cihazları sabitleştirmeye emin olun.
- ! Bogulmasını önlemesi için, çocuğun bogaazın yanında ip ile olan nesnelere, ürün askıya elemanlar, ve ip ile bağlanmış oyuncakları bırakmayın.
- ! Devirmesini önlemek için kolda his bir şey koymayın.
- ! Çocuğun icinden bulunduğu zaman puseti kaldırmayın. .
- ! Çocuğun taşınması için seati kullanmayın.
- ! Devirmesi önlemek için çocuğun kendisi puseti girmesine bırakmayın. İçinde vedisariya siz çocuğun koyun.
- ! Parmakların sıkıştırmamasını için, çok dikkatli puseti açın ve katlayın.
- ! Çocuğun yanında bırakmadan önce puset tam açık ve katlanmış olduğuna emin olun.

- ! Çocuğun güvenliği sağlanmak için, kullanmadan önce pusetin tüm parçaları iyi monte ve sabitleştirmeye yaptığınıza emin olun.
- ! Bogulması önlemesi için , çocuğun gölgelik yanında olmadığına emin olun.
- ! Puset durduğunuz zaman , frenleri aktive yapın.
- ! Puset hasarlı veya bozuk olursa özaman onun kullanmayın
- ! Normal yürümek hızı ile puseti kullanılacak. Ürün kasma amacına yapılmamıştır.
- ! Çocuğun bogulmamasını için, işbu ürün kullanmadan önce plastik ambalajı çıkarın. Plastik torbaları ve ambalajları bebeklerden ve küçük çocukların uzak durmasına gerekiyor
- ! Kosmak ve kaymak yaptığınız zaman ürünün kullanmayın.
- ! Doğumdan itibaren hamak tasarlanmış, ve yeni doğan bebekler için maksimum egim pozisyona ayarlanmasını kullanmaktan tavsiye ediyoruz.
- ! Park etme cihazın, çocuğun puset içinde koyduğunuz ve çıkartığınız zamanda aktive edin.
- ! Çocuğun yanında bırakmadan önce puset tam açık ve katlanmış olduğuna.
- ! Hareket hâlindeki araçlarda kullanılması durumunda daha dikkatli olunması gerekir ve frenler devreye alınsa bile çocuk gözetimsiz bırakılmamalıdır.

## Puset montajı

Ürünü monte ve kullanmadan önce kullanım klavuzunun talimatları çok dikkatli okuyun

### Puset acmasını

Sabitleme elemanından kapatma cihazı ayrılanın ① , ve sonradan kolu yukarıya kaldırın ② - ① , olan plakada ayakta aşağı bastırın ② - ② , bir ses duyduğunuz zaman , ürünün komple açıldığına demektir.

! Devam etmeden önce, ürünün tam açıldığına kontrol edin.

### Ön tekerleklerin montajı

Ön ayaklarda ön tekerleklerin montajı için. Tekerleklerin iyi sabitleştirmeye kontrol etmesi için , tekerlek topluluğunu çekme yaptığınız ③ , Ön ayakların demonte yapmak için, ön ayaklardan tekerleklerin çıkartın ④ - ② , serbest bırakma elemanların basıldığı zaman. ④ - ①

### Arka tekerleklerin montajı

Arka ayaklarda ön tekerleklerin montajı için ⑤ , Tekerleklerin iyi sabitleştirmeye kontrol etmesi için , tekerlek topluluğunu çekme yaptığınız . Fren kablosu dikdörtgen çubuğunun altında sabitleme yerine koyun sabitlemesi için. ⑥

### Gölgelik montajı

Gölgelik kuzurunda olan delikler çubuğun destekleri ile sıralayın ve sonradan bunların gölgelik topluluğuna sokun ⑦ , kancanın ve diğer sabitleme elemanların bağlanması ve gölgelik arkasında bağlanması için düğmelerin kapatın ⑧

Monte edilen puset foto ⑨ gibi görünür.

## Puset Calistirmasini

### Egim deregesi ayarlanmasini

Arkalik 5 kademede.

Ayarlanma dugmeye bastirin **10 - 1** , ve sonradan istediginiz egime yarlayin **10 - 2**

Arkalik kaldirmasi icin, yukariya itigin .

! Egim mekansmanin uygun kullanildigina emin olun.

### Tokanin kullanmasini

#### Tokanin acilmasi

Toka acilmasi icin ortada bulunan dgmeye bastirin. **11**

#### Tokanin kapatmasi

Emniyet kemerlerin bagalanin **12 - 1**, ve sonrada merkezden bulunan tokada sokun. **12 - 2** bir ses duydugunuz zaman komple kapanmis demektir **12 - 3**

! Cocugun kaymasin ve dusmesin nedeni ile olan agir yaralar onlemek icin, her zaman bagalana emniyet kemerlerin ile korun.

! Cocugun sabit koydugna emin olun. Cocuguk ve kemer arasida bosluklarin yaklasik bir elde olmasini ger-ekiyor.

! Emniyet keelerin bir birne gecirmeyin. Boylece cocugun boyunu bastiriyorsunuz.

### Emniyet kemerlerinkullanmasini

! Dusme nedenlerini cocugu korumasini icin, cocugun sandalyede koyduktan sonra, emniye kemerlerin uygun yuksekligine ve uzunluguna takildigina kontrol edin.

**13 - 1** Omuzlarin bagalanmasi icin emniyet kemeri cihazi A

**13 - 2** Omuzlarin bagalanmasi icin emniyet kemeri cihazi B

**13 - 3** Ayarlama chazi

Buyuk cocuguklari icin kemerlerin bagalanmak cihazi omuz icin A ve yukardaki olan delikleri icin kullanin .

Kucuk cocuguklari icin kemerlerin bagalanmak cihazi omuz icin ve asagidaki olan delikleri icin kullanin.

Pozisyonu ayarlanmak icin omuz icin emniyet kemerin bagalanmak cihazi kulanin, ve on tarafin seviyesini a kadar kolu cevirin.Arka kemerin deliginden cihazi onunde cektirin **14**, Yeniden cocugun en yuksek omuzlarin pozisyonuna en yaki delikten cihazin cektirin **15**

Kemerlerin uzunlugunu ayarlanmasi icin ayarlanma cihazi kullanin. **16 - 1**

Dugmeye bastirin **16 - 2**, ve aynne zamanda istedigin olcude orta kemerin cektirin **16 - 3**

### Cercevenin ayarlanmasi

Cerceve 2 pozisyonu var

Cercve kaldirmasi

Cerceve kaldirmasi icin, yukariya igitin.

Cerceve indirmesi

Cerceve her iki taraftlarin bulunan ayarlanma dugmelerin bastirin **17 - 1**, ve cercevenin asagida cevirin **17 - 2**

### Onunde bulunan tekerlegin bloke etmesi

Seyahat yonune tutmak icin on mandalina yukariya bastirin **18**

**Fikir** Donuslu bloke edilen mekanizmalarin kullanisi dengesiz yuzeylerin uzerinde tavsi ediyoruz.

### Fren kullanmasini

Tekerlekler blok etmesi icin , aya ile fran kolu ile bastirin. **19**

Tekerleklerin brakmasi icin kolunu kaldirin **19 - 1**

**Fikir** Puset durdurdugun zaman, her zaman fren bastirin.

**Fikir** Tam anlamıyla işlev görmesini sağlamak için fren sistemini düzenli olarak temizleyin. Bakım ve koruma kısmına bakın.

**Fikir** TFrenin tamamen devrede olduğundan emin olmak için, tutma yerini bırakmadan önce bebek arabasını ileriye ve geriye doğru hafifçe sallayın.

### Golgelik kullanmasini

Golgelik acilmasi icin, golgelik onunde cekin ve yanlarda bulunan eklerde bastirin **20**

Golgelik katlanmasi icin eklerin yanlarda cekin **20 - 1** ve golgelik arkaya cekin

### Puset katlanmasi

! Puset katlanmadan once ,golgeligin katlanin.

Katlanmaplakasi kaldirin **21** , katlanma pedalın ayakta bastirin **22 - 1**, katlanmak icin useti onunde igitin **22 - 2**. bloke mekanisma sabitleme elemanından bir birine hemen bagalanacak ; Puset komple katlandı ve bloke edildiği **23**

### Nakliye kemerin kullanmasini

Nakliye kemerin yardimi ile kaldirirken kolayca puset nakliyesi yapabilirsiniz **24**

### Aksesuarlar

Satin alınan urune dahil olmayabilirw

### Yagmur ortusu kullanimi

Yağmurluğu takmak için, bebek arabası üzerine yerleştirip, yağmurluktaki kanca ve halka tutturucuları takın. **26**

! Yagmur ortusu kullandigin zaman havalandirmasini kontrol edin.

! Yagmu ortusu kullanmadigin zaman , katlanmadan nce temizlendigine ve kuruldiguna emin olun.

! Yagmur ortusu montaj edildikten sonra bebek arabasi katlanmayin.

! Sicak mevsinden montaj edildigin yagmur ortusunu cocugunuzun bebek arabasi icinde koymayin.

### kullanmasini tampon çubuğu kumaş örtü

**27 - 30** arası görsellere bakın

## Bakim ve onarim

! sandaliye kaplanması cikartilabilir ve soguk suyu ile yikanilabilir ve kurutmak icin dogal kurulmasini brakilacak. Camasir suyu kulanmayin

! Puset cercevisi temizlenmek icin normal sabon kullanin ve sicak suyu. Deterjan ve camasir suyu kullanmayin.

! Surekli puset gevsemis vidalar, parcalarin bozulmasina, kumas yirtmasina ve yapistirmis nezneler ve diki-slerine icin kontrol edin. Yedek parcalarin degisirin veya amir edin.

! sicaktan veya guneste uzun zaman kaldigidan urunun solmasini ve parcalarin deforme olmasini nedeni olabilir.

! Eger pusetin islanmasini olursa , golgeligi acin ve depolamadan once iyi kurutmasina brakin.

! Eger tekerleklerden ses gelirse, hafif bir yag kullanin( ornek olarak silikonlu bir spray, paslanmaya karsi bir yag, veya dikis makinelerin icin bir yag kullanin). Tekerlek toplugumunda ve aksina yag koymasini onemlidir **25**

! Fren pedalı tamamen devreye giremeyecek şekilde katıysa/sertse, yağlamadan önce fren sistemindeki döktüntüleri temiz suyla temizleyin.

! Bebek arabanızı plajda veya fazla toz/kum bulunan alanlarda kullanırken, fren mekanizmalarındaki ve teker donanımlarındaki kumu ve tuzu gidermek için, bebek arabanızı kullanım sonrasında tamamen temizleyin.

## DA Velkommen til Joie™

Tillykke og velkommen til Joie-familien! Vi er så glade for at være en del af din rejse med den lille. Når du bruger din Joie Nitro™, bruger du en klapvogn af høj kvalitet, som er fuldt certificeret og godkendt i henhold til de europæiske standarder EN 1888:2012. Dette produkt er beregnet til børn under 15 kg. Du bedes venligst læse denne vejledning omhyggeligt og følg alle trinene, så du sikrer, at dit barn har det behageligt og er ordentligt beskyttet under turen.

### VIGTIGT - behold denne brugsvejledning til senere brug.

Besøg os på [joiebaby.com](http://joiebaby.com), hvor du kan downloade vejledninger og finde flere spændende produkter fra Joie!

Besøg venligst vores hjemmeside, for information vedrørende garanti, på [joiebaby.com](http://joiebaby.com)

## Indhold

|                                 |           |
|---------------------------------|-----------|
| Billede                         | 1-6       |
| Produktinformation              | 56        |
| Liste over dele                 | 56        |
| Advarsel                        | 57-58     |
| <b>Samling af klapvognen</b>    | <b>58</b> |
| Klapvognen foldes ud            | 58        |
| Forhjulene sættes på            | 58        |
| Baghjulene sættes på            | 58        |
| Kalechen sættes på              | 58        |
| <b>Sådan bruges klapvogne</b>   | <b>59</b> |
| Ryglænet justeres               | 59        |
| Brug af spændet                 | 59        |
| Brug skulder- og taljeselerne   | 59        |
| Juster lægstøtten               | 59        |
| Brug af drejelåsen på forhjulet | 59        |
| Brug af bremsen                 | 60        |
| Brug af kalechen                | 60        |
| Fold klapvognen sammen          | 60        |
| Brug af bæreremmen              | 60        |
| Tilbehør                        | 60        |
| <br>                            |           |
| Pleje og vedligeholdelse        | 60        |

## I tilfælde af en nødsituation

I tilfælde af en nødsituation eller ulykker er det vigtigst, at dit barn straks får førstehjælp og lægebehandling.

## Produktinformation

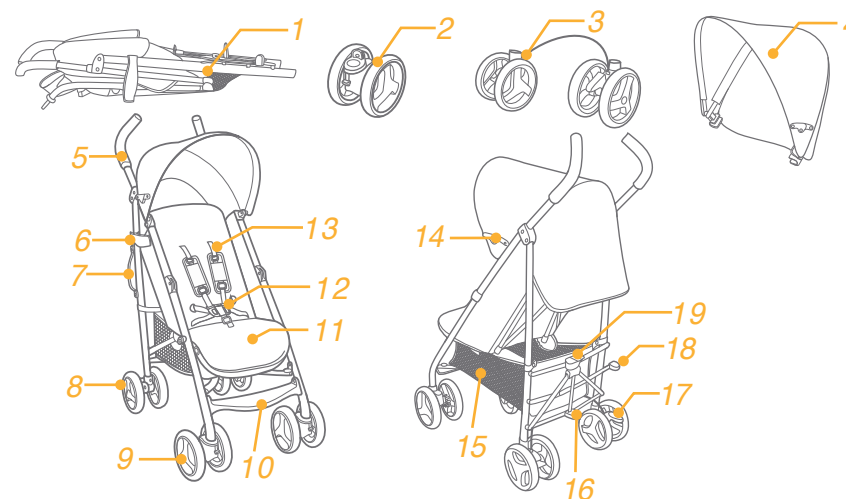
Læs alle instruktionerne i denne vejledning, inden produktet tages i brug. Hvis du har yderligere spørgsmål, bedes du venligst kontakte din forhandler. Nogle funktioner kan variere, afhængig af din model.

|                      |   |
|----------------------|---|
| <b>Produkt</b>       | <b>Klapvogn</b>   |
| <b>Egnet til</b>     | <b>Børn under 15 kg (0-36 måneder)</b>                        |
| <b>Materialer</b>    | <b>Plast, metal, tekstiler</b>                                |
| <b>Patentnummer</b>  | <b>Produktet er patentanmeldt</b>                             |
| <b>Fremstillet i</b> | <b>Kina</b>   |
| <b>Varemærke</b>     | <b>Joie</b>   |
| <b>Hjemmeside</b>    | <b><a href="http://www.joiebaby.com">www.joiebaby.com</a></b> |
| <b>Fabrikant</b>     | <b>Allison Baby UK Ltd</b>                                    |

## Liste over dele

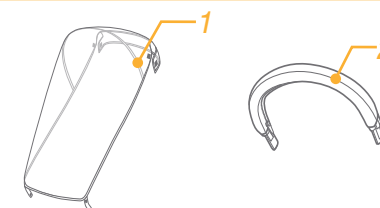
Kontroller, at alle delene følger med, inden du begynder at samle produktet. Hvis der mangler nogen dele, bedes du venligst kontakte din lokale forhandler. Der skal ikke bruges noget værktøj til at samle produktet.

|                |                  |                   |               |
|----------------|------------------|-------------------|---------------|
| 1 Stel         | 6 Opbevaringslås | 11 Lægstøtte      | 16 Fodplade   |
| 2 Forhjul (x2) | 7 Bærerem        | 12 Spænde         | 17 Bremsstang |
| 3 Baghjul      | 8 Baghjul        | 13 Sikkerhedssele | 18 Foldepedal |
| 4 Kaleche      | 9 Forhjul        | 14 Kalechebeslag  | 19 Foldeplade |
| 5 Håndtag      | 10 Fodstøtte     | 15 Opbevaringskur |               |



## Tilbehør (medfølger ikke)

- 1 Regnslag (på visse modeller)
- 2 Omslag til armstøtte (på visse modeller)



## ADVARSEL

- ! ADVARSEL Brug altid fastholdelsessystemet.
- ! ADVARSEL sørg altid for at bruge skridtkombinationen med taljeselen. Skulderselerne skal også bruges.
- ! ADVARSEL sørg for, at alle låsene er låst inden brug.
- ! ADVARSEL børn må ikke lege med dette produkt.
- ! Produktet skal samles af voksne.
- ! Klapvognen må kun bruges til børn under 15 kg. Hvis barnet vejer mere, kan det beskadige klapvognen.
- ! For at forhindre farlige og ustabile forhold, må der højst lægges 4,5 kg i opbevaringskurven.
- ! ADVARSEL Efterlad aldrig dit barn uden opsyn. Sørg altid for, at barnet er i syne, når det er i klapvognen.
- ! Der må kun være et barn i klapvognen ad gangen. Der må aldrig hænges punge, indkøbsposer, parceller eller andet tilbehør på håndtaget eller kalechen.
- ! Hvis klapvognen overbelastes, foldes forkert eller bruges med dele fra andre fabrikater, kan det muligvis beskadige den eller gøre den usikker at bruge. Du bedes venligst læse denne brugsvejledning omhyggeligt.
- ! Klapvognen må aldrig bruges med dele fra andre fabrikater.
- ! Læs venligst alle instruktionerne i denne vejledning, inden produktet tages i brug.
- ! Behold denne brugsvejledning til senere reference. Hvis disse advarsler og instruktioner ikke følges, kan det føre til alvorlige skader eller dødsfald.
- ! Sikkerhedsseler og fastholdelsesanordningerne skal bruges korrekt.
- ! For at undgå alvorlig skade, hvis barnet falder eller glider ud af klapvognen, skal sikkerhedsselen altid bruges.
- ! Når klapvognen justeres, skal du sørge for, at barnet ikke kommer i klemme i de bevægelige dele.
- ! Hvis selen ikke bruges, kan barnet glide ind i selerne til benene, og derved blive kvalt.
- ! Klapvognen må aldrig bruges på en trappe eller rulletrapper.
- ! Klapvognen skal holdes væk fra varme genstande, væsker og elektronik.
- ! Barnet må aldrig stå op i klapvognen eller sidde i klapvognen med hovedet mod klapvognens forende.
- ! Klapvognen må aldrig stilles på veje, skråninger eller andre farlige områder.
- ! Sørg for, at alle mekanismerne er fastgjorte, inden klapvognen tages i brug.
- ! For at undgå kvælning, må du IKKE putte genstande med en snor rundt om barnets hals, hænge snore på dette produkt eller sætte snore fast på legetøj.
- ! For at undgå, at klapvognen vælter, må der IKKE hænges noget på håndtaget.
- ! Klapvognen må IKKE løftes, mens barnet er i den.
- ! Der må ALDRIG være børn i opbevaringskurven.
- ! Børn må aldrig kravle op på klapvognen, da den kan vælte. Løft altid barnet ind og ud af klapvognen.

- ! For at undgå at fingrene kommer i klemme, skal du være forsigtig, når klapvognen foldes ud og foldes sammen.
- ! Sørg for, at klapvognen er åbnet helt eller foldet helt ud, inden nogen børn kommer i nærheden af den.
- ! Af hensyn til dit barns sikkerhed, skal du sørge for, at alle dele samles og fastgøres ordentligt, inden klapvognen tages i brug.
- ! For at undgå kvælning, skal du sørge for, at barnet ikke lukkes inde i kalechen.
- ! Brug altid bremserne, når klapvognen parkeres.
- ! Hvis klapvognen beskadiges eller ødelægges, må den ikke længere bruges.
- ! Klapvognen må kun bruges i almindelig gågang. Dette produkt er ikke beregnet til at løbe med.
- ! For at undgå kvælning, skal plastikposen og alle emballagematerialer fjernes, inden produktet tages i brug. Plastikposen og emballagen skal derefter holdes væk fra babyer og børn.
- ! Dette produkt er ikke beregnet til at løbe eller skøjteløbe med.
- ! På klapvogne, der er beregnet til nyfødte babyer, anbefales det at bruge den mest tilbagelænedede stilling til nyfødte babyer.
- ! Bremsen skal slås til, når barnet lægges i og tages ud af klapvognen.
- ! For at undgå skade, skal børn holdes væk fra produktet, når det foldes ud og foldes sammen.
- ! Ekstra pleje er nødvendig, hvis produktet bruges i bevægende køretøjer, og barnet må ikke efterlades uden opsyn, også selvom bremsen er låst fast.

## Samling af klapvognen

Læs alle instruktionerne i denne vejledning, inden produktet samles og tages i brug.

### Klapvognen foldes ud

Løs opbevaringslåsen fra låsebeslaget ❶, skub fodpladen ned med foden ❷ - ❶, en klik-lyd betyder, at klapvognen er foldet helt ud. ❷ - ❷, en klik-lyd betyder, at klapvognen er foldet helt ud.

! Sørg for, at klapvognen er åbnet helt, inden den tages i brug.

### Forhjulene sættes på

Sæt forhjulene på forbenene. Sørg for, at hjulene fastgøres ordentligt ved at trække i hjulsamlingen. ❸ For at tage forhjulet af igen, skal det trækkes af forbenet ❹ - ❷, mens frigivelsstapperne trykkes udad. ❹ - ❶

### Baghjulene sættes på

Sæt baghjulene på bagbenene ❺, Sørg for, at hjulene fastgøres ordentligt ved at trække i hjulsamlingen. Sæt bremsekablet i klemmerne under de firkantede rør for at fastgøre det. ❻

### Kalechen sættes på

Sørg for, at hullerne på kalechebeslaget passer med tapperne på rørene, og sæt derefter kalechen på ❼, spænd burrebåndene og knap knapperne for at sætte bagsiden af kalechen på ryglænet. ❽

Den færdigsamlede klapvogn kan ses på billede ❾.

# Sådan bruges klapvognen

## Ryglænet justeres

Ryglænet kan justeres til 5 forskellige vinkler.

Tryk på justeringsknappen **10 - 1**, og juster derefter ryglænet til den ønskede vinkel. **10 - 2**

For at hæve ryglænet, skal det blot trykkes opad.

! Sørg for, at ryglænet er justeret korrekt, inden klapvognen tages i brug.

## Brug af spændet

### Sådan låses spændet op

Tryk på knappen i midten for at låse spændet op. **11**

### Sådan låses spændet

Sørg for, at taljeselen passer med skulderspændet, som vist i **12 - 1**, og sæt den derefter i spændet på midten.

**12 - 2** Når du hører en kliklyd, er spændet låst fast. **12 - 3**

! For at undgå alvorlig skade, hvis barnet falder eller glider ud af klapvognen, skal barnet altid spændes fast med sikkerhedsselen.

! Sørg for at barnet er spændt ordentligt fast. Afstanden mellem barnet og skulderselerne skal være ca. den samme som tykkelsen af en hånd.

! Skulderselerne må ikke sættes på tværs over hinanden. Dette kan trykke for meget på barnets nakke.

## Brug skulder- og taljeselerne

! For at beskytte dit barn mod at falde ud, skal du sørge for, at skulder- og taljeselerne er i den rigtige højde og har den rigtige længde, når barnet puttes i klapvognen.

**13 - 1** Spænde A på skuldersele

**13 - 2** Spænde B på skuldersele

**13 - 3** Juster spændet

Til større børn skal du bruge spænde A på skulderselen og de øverste huller. Til mindre børn skal du bruge spænde B på skulderselen og de nederste huller.

For at justere placeringen af spændet, skal det vendes så det flugter med siden, der vender fremad. Stik det gennem hullet fra bagsiden og ud til forsiden. **14** Træk det tilbage gennem hullet, der er tættest på barnets skulderhøjde. **15**

Brug spændet til at justere selens længde. **16 - 1**

Tryk på knappen **16 - 2**, samtidig med at du trækker taljeselen til den ønskede længde. **16 - 3**

## Juster lægstøtten

Lægstøtten har 2 indstillinger.

Hæv lægstøtten

For at hæve lægstøtten, skal den trykkes opad.

Sænk lægstøtten

Tryk på justeringsknapperne på begge sider af lægstøtten **17 - 1**, og drej derefter lægstøtten nedad. **17 - 2**

## Brug af drejelåsen på forhjulet

Tryk drejelåsen på forhjulet opad for at låse hjulets retning. **18**

**Tip** Det anbefales at bruge drejelåsen på ujævne overflader.

## Brug af bremsen

For at låse hjulene, skal du trykke bremsestangen nedad. **19**

For at låse hjulene op igen, skal bremsestangen løftes opad igen. **19 - 1**

**Tip** Sørg altid for at bruge bremsen, når klapvognen står stille.

**Tip** Rengør bremsesystemet regelmæssigt for at sikre, at det virker ordentligt. Se afsnittet om pleje og vedligeholdelse.

**Tip** For at sikre, at bremsen er låst helt, skal du forsigtigt dreje klapvognen baglæns og fremad, inden du slipper håndtaget.

## Brug af kalechen

For at åbne kalechen, skal den trækkes fremad mens beslagene på begge sider trykkes nedad. **20**

For at folde kalechen sammen, skal beslagene på begge sider trykkes opad **20 - 1** mens kalechen trækkes tilbage.

## Fold klapvognen sammen

! Kalechen skal foldes sammen, før klapvognen foldes sammen.

Løft foldepladen op **21**, tryk foldepedalen nedad med foden **22 - 1**, og tryk klapvognen fremad så den foldes **22**

**- 2**. Opbevaringslåsen låser sig automatisk fast på låsebeslaget, så klapvognen er foldet helt sammen og låst. **23**

## Brug af bæreremmen

Klapvognen kan nemt bæres i bæreremmen. **24**

## Tilbehør

Tilbehøret sælges muligvis separat eller er muligvis ikke tilgængeligt i dit område.

## Brug med Joie autostol Gemm

Ved brug med Joie autostol Gemm, henvises til følgende instruktioner.

! Hvis du oplever problemer med at bruge autostolen, henvises til autostolens egen brugsanvisning.

! Fold ikke klapvognen, når autostolen stadig er fastgjort.

## Brug af regnslaget

For at sætte regnslaget på, skal det først lægges over klapvognen, hvorefter burrebåndene spændes på regnslaget. **26**

! Når du bruger regnslaget, skal du altid sørge for, at der er ordentlig ventilation.

! Hvis regnslaget ikke skal bruges, skal du sørge for, at regnslaget er blevet rengjort og tørret, inden det foldes sammen.

! Klapvognen må ikke foldes sammen, når regnslaget sidder på den.

! I varmt vejr må der ikke være børn i klapvognen med regnslaget på.

## Brug af armstøtten

### Se billederne **27 - 30**

## Pleje og vedligeholdelse

! Flytbart sædepude, der kan vaskes i koldt vand og lufttørres. Brug ikke blegemiddel.

! Klapvognens stel må kun rengøres med almindelig sæbe og varmt vand. Der må ikke bruges blegemidler eller rengøringsmidler.

! Kontroller regelmæssigt din klapvogn for løse skruer, slidte dele, revnede materialer eller syninger. Udskift eller reparer delene efter behov.

! Nogle af delene på klapvognen kan falme eller blive skæve, hvis de udsættes for for meget sol eller varme.

! Hvis klapvognen bliver våd, skal kalechen åbnes og klapvognen skal tørre ordentligt før opbevaring.

! Hvis hjulene knirker, skal du bruge en let olie (f.eks. silicium på spray, rustbeskyttende olie eller symaskineolie). Det er vigtigt at få olien ind til akslen og hjulsamlingen. **25**

! Hvis bremsepedalen er stiv/svær at låse fast, skylles der sandsynligvis snavs fra bremsesystemet. Rengør først med rent vand inden smøring.

! Hvis du bruger din klapvogn på stranden eller områder med meget støv/sand, skal du rengøre din klapvogn efter brug for at fjerne sand og salt fra bremsemekanismerne og hjulsamlingerne.

## AR مرحباً بك في عالم Joie™

نهنئكم لأنكم قد أصبحتم عضواً في عائلة جوي. ويسعدنا كثيراً أن نشارككم في رحلتكم مع طفلك الصغير. وبينما تتحركين مع عربة جوي مترو ، (ماركة مسجلة) ، فإنك تستخدمين عربة عالية الجودة ومعتمدة بالكامل وأيضاً معتمدة طبقاً للمعايير القياسية الأوروبية للسلامة EN 1888:2012. هذا المنتج مناسب للاستخدام مع الأطفال بوزن أقل من 15 كجم. نرجو قراءة هذا الدليل بحرص وإتباع كل خطوة لضمان رحلة مريحة وحماية أفضل لطفلك.

### ملاحظة هامة : احتفظي بدليل التعليمات للرجوع إليه مستقبلاً.

يمكنكم زيارتنا في موقع joiebaby.com لتنزيل الكتيبات ولمشاهدات المزيد من منتجات جوي الرائعة.

لمعلومات عن الضمان، يُرجى زيارة موقع الويب الخاص بنا على joiebaby.com

## معلومات عن المنتج

نرجو قراءة جميع التعليمات في هذا الكتيب قبل استخدام هذا المنتج. وإذا كانت لديك أي أسئلة أخرى نرجو الرجوع للبائع. وبعض المواصفات قد تختلف بحسب الموديل.

المنتج : عربة أطفال مترو  
مناسب : للطفل وزن أقل من 15 كجم (من الولادة وحتى 36 شهر).  
المواد : البلاستيك والمعادن الفبريك.  
رقم براءة الاختراع : في انتظار براءة الاختراع  
صناعة : الصين  
الاسم التجاري : جوي  
الموقع على الإنترنت : www.joiebaby.com  
الصانع : Allison Baby UK Ltd

## المحتويات

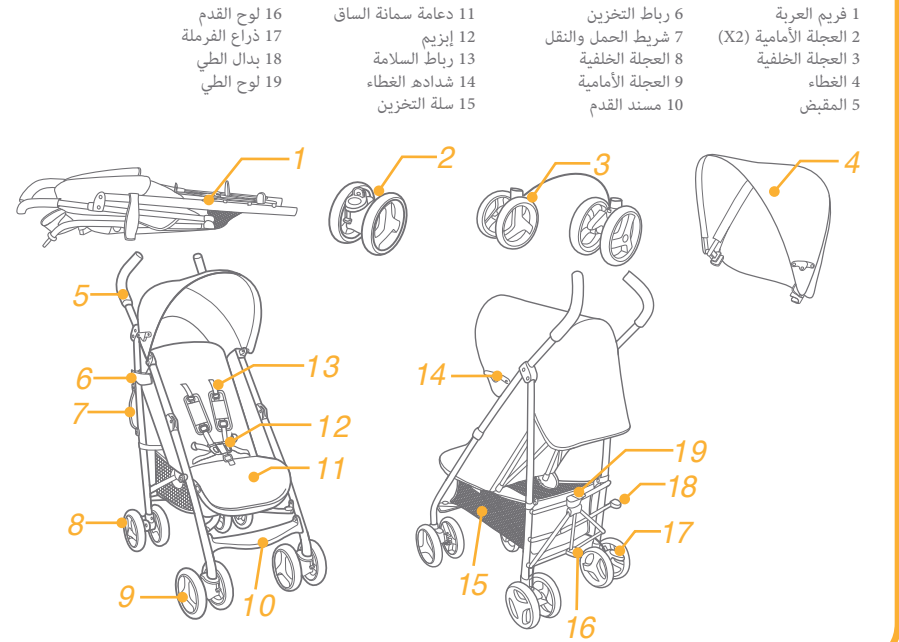
|     |  |
|-----|--|
| 1-6 | الصورة                                       |
| 62  | معلومات المنتج                               |
| 62  | قائمة الأجزاء                                |
| 63  | تحذيرات                                      |
| 64  | تجميع العربة                                 |
| 64  | فتح العربة                                   |
| 64  | تجميع العجلات الأمامية                       |
| 64  | تجميع العجلات الخلفية                        |
| 64  | تجميع الغطاء                                 |
| 65  | تشغيل العربة                                 |
| 65  | ضبط الميل                                    |
| 65  | استخدام إيزيم الربط                          |
| 65  | استخدام أربطة الأكتاف والوسط                 |
| 65  | ضبط دعامة سمانة الساق                        |
| 65  | استخدام قفل الحركة المحورية للعجلات الأمامية |
| 66  | استخدام الفرملة                              |
| 66  | استخدام الغطاء                               |
| 66  | طي العربة                                    |
| 66  | استخدام الملحقات والمستلزمات                 |
| 66  | العناية والصيانة                             |

## الطوارئ

في حالة الطوارئ أو الحوادث فمن المهم جداً العناية بلاطفال فوراً بإلعالج الطبي والإسعافات الأولية.

## قائمة الأجزاء

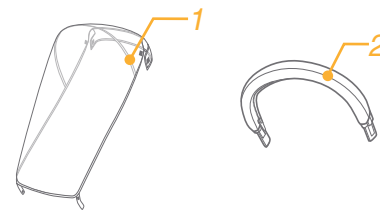
تأكد أن جميع الأجزاء متوافرة قبل التجميع. وإذا كان هناك أي جزء ناقص نرجو الاتصال بلاموزع المحلي. لا توجد أي أدوات مطلوبة للتجميع.



## الملحقات والإكسسوارات

(قد تكون غير متضمنة)

1 غطاء المطر (في موديلات معينة)  
2 في موديلات معينة (غطاء مسند الذراع)





## تحذيرات

- ! تحذير احرص دائماً على استخدام نظام التقييد.
- ! تحذير : استخدم دائماً مجموعة الرباط السفلي مع حزام الوسط. ومن المقترح أن يتم أيضاً استخدام أربطة الأكتاف.
- ! تحذير : تأكد أن جميع الأقفال مغلقة قبل الاستخدام.
- ! تحذير : لا تدع طفلك يعبث بهذا المنتج.
- ! يتم التجميع بمعرفة الكبار.
- ! استخدم العربة لطفل بوزن أقل من 15 كجم لكل مقعد. إن هذا المنتج مصمم ليحمل طفلاً واحداً أو طفلين في الوضع القائم أو المائل، وقد يحدث ضرر بالعربة في حالة وجود طفل غير صحيح في العربة.
- ! لمنع الأحوال الخطرة غير المستقرة لا تضع أكثر من 4.5 كجم في سلة التخزين.
- ! تحذير يحظر بتاتاً ترك طفلك دون مراقبة. ويجب أن يكون الطفل تحت نظرك دائماً أثناء الوجود في العربة.
- ! استخدم العربة مع وجود طفلين في نفس الوقت. ولا تضع الحقائب وأكياس المشتريات والطرود أو الملحقات الأعلى على مقبض العربة أو الغطاء.
- ! التحميل الزائد والطي غير السليم أو استخدام المكونات من صانعين آخرين يمكن أن تؤدي إلى أن تتعرض العربة للتلف أو الكسر أو تصبح غير مأمونة نرجو قراءة دليل التعليمات بحرص.
- ! لا تستخدم العربة أبداً وأجزاء مكونات من صانعين آخرين.
- ! نرجو قراءة جميع التعليمات في الدليل قبل استخدام المنتج ونرجو حفظ دليل التعليمات للاستخدام مستقبلاً. والتقصير في إتباع هذه التحذيرات والتعليمات يمكن أن يؤدي إلى إصابات خطيرة أو الوفاة.
- ! يتم استخدام سيور الأمان وأنظمة الأربطة ويلزم استخدامها بطريقة صحيحة.
- ! لتجنب الإصابات الخطيرة من السقوط أو الانزلاق استخدم دائماً سير المقعد.
- ! تأكد أن جسم الطفل بعيد عن الأجزاء المتحركة عند ضبط العربة.
- ! قد ينزلق الطفل في فتحات الساقين ويتعرض للاختناق في حالة عدم استخدام الأربطة.
- ! لا تستخدم العربة أبداً على السلالم أو السلالم المتحركة.
- ! ابتعد دائماً عن الأشياء ذات درجات الحرارة العالية والسوائل والإلكترونيات.
- ! لا تسمح أبداً لطفل بالوقوف على العربة أو الجلوس في العربة والرأس متجه للجانب الأمامي من العربة.
- ! لا تضع العربة أبداً على الطرق أو المنحدرات أو الأماكن الخطرة.
- ! تأكد أن جميع الأليات قد تم تثبيتها قبل استخدام العربة.
- ! لتجنب الاختناق لا تضع الأشياء حول رقبة الطفل بخيط أو تعلق الخيوط من هذا المنتج أو ربط الخيوط في اللعب.
- ! لمنع انقلاب العربة لا تضع أي شيء على المقبض.
- ! لا ترفع العربة بينما الطفل في العربة في ذلك الوقت.
- ! لا تستخدم سلة التخزين لحمل أطفال.
- ! لمنع انقلاب العربة لا تسمح للطفل بتسلق العربة. وعليك أن ترفع الطفل دائماً دخولاً وخروجاً من العربة.
- ! لتجنب الإصابة تأكد أن الطفل بعيد عن الطي والفك لهذا المنتج.
- ! تأكد أن العربة مفتوحة بالكامل أو منطبق قبل السماح للطفل بالقرب من العربة.
- ! لضمان سلامة الطفل نرجو التأكد من أن جميع الأجزاء قد تم تجميعها وتثبيتها بطريقة صحيحة قبل استخدام العربة.
- ! لتجنب الاختناق تأكد أن الطفل بعيد عن الغطاء.
- ! يتم تشييق الفرامل دائماً عند ترك العربة متوقفة في الانتظار.

! توقف عن استخدام العربة في حالة تعرضها للتلف أو الكسر.

! تستخدم العربة فقط بسرعة السير العادية.

! إن هذا المنتج غير مناسب للجري.

! لتجنب الاختناق فك الكيس البلاستيك ومواد التعبئة قبل استخدام هذا المنتج. وكيس البلاستيك ومواد التعبئة يتم الاحتفاظ بها دائماً بعيداً عن الأطفال والرضع.

! هذا المنتج غير مناسب للجري أو التزلج.

! كرسي الدفع مصمم على أساس استخدامه من الولادة ، وإننا نوصي باستخدام الوضع الأكثر ميلاً للأطفال حديثي الولادة.

! يتم تشييق جهاز الانتظار عند وضع ورفع الأطفال.

! يجب الحرص عند الاستخدام على المركبات المتحركة، كما يجب عدم ترك الطفل بمفرده، حتى مع تشغيل المكابح.

## تجميع العربة

نرجو قراءة جميع التعليمات في هذا الدليل قبل تجميع واستخدام هذا المنتج.

### فتح العربة

أفضل مشبك التخزين من تركيبة التخزين 1 وأرفع المقبض من بعدها لأعلى 1-2 2 أضع لوح القدم لأسفل باستخدام القدم 2-2 ، وصوت الطقطقة يعني أن العربة مفتوح بالكامل.

تأكد أن العربة مفتوحة بالكامل قبل الاستمرار.

### تجميع العجلات الأمامية

يتم تجميع العجلات الأمامية في القوائم الأمامية. وتأكد أن العجلات قد تم تثبيتها بإحكام من خلال سحب مجموعات العجلات 3

لفك العجلة الأمامية ، فك العجلة الأمامية من القوائم الأمامية 2 - 4 مع الضغط على لسان الفك للخارج. 1 - 4

### تجميع العجلات الخلفية

يتم تجميع العجلات الخلفية في القوائم الخلفية 5 . وتأكد أن العجلات قد تم تثبيتها بإحكام من خلال سحب مجموعات العجلات.

يتم إدخال كابل الفرملة إلى لسان التثبيت أسفل المواسير المرعبة لغرض تثبيته 6

### تجميع الغطاء

اضبط استقامة الثقوب في تركيبات الغطاء مع الدعائم على الأنايب ثم يتم إدخاله لتجميع الغطاء 7

أصق مثبتات الخفاف والحلقة ويتم إدخال الأزرار لتثبيت الغطاء الخلفي في مسند الظهر. 8

العربة كاملة التجميع ستكون كما هو مبين في الرسم 9

## استخدام الفرملة

إغلاق العجلات اضغط على ذراع الفرملة لأسفل. <sup>[19]</sup>

لإطلاق العجلات ، فقط أرفع ذراع الفرملة لأعلى. <sup>[1- 19]</sup>

**نَظِحْالم**

ستخدم دائماً الفرملة عندما تكون العربة في وضع التوقف.

**نَظِحْالم**

قم بتنظيف نظام المكابح بصورة دورية لضمان عمل الوظائف على أكمل وجه. انظر جزء العناية والصيانة.

**نَظِحْالم**

للتأكد من تأمين المكابح بالكامل، قم بتحريك العربة إلى الخلف والأمام برفق قبل تحرير المقبض.

## استخدام الغطاء

لفتح الغطاء ، اسحب الغطاء للأمام واضغط الشدادات لأسفل على الجانبين. <sup>[20]</sup>

لطي الغطاء اسحب الشدادات لأعلى على الجانبين <sup>[1- 20]</sup> واسحب الغطاء للخلف.

## طي العربة

نرجو طي الغطاء قبل طي العربة

ارفع لوح الطي <sup>[21]</sup> واضغط على بدال الطي لأسفل <sup>[1- 22]</sup> وادفع العربة للأمام للطَي <sup>[2- 22]</sup> وعندئذْ فإن مشبك التخزين سيثبتك تلقائياً في تركيبة التخزين وعندئذْ فإن العربة يتم طيها وإغلاقها بالكامل. <sup>[23]</sup>

## استخدم شريط الرفع والحمل

يمكنك أن تحمل العربة بسهولة من خلال رفعها بشريط الرفع والحمل <sup>[24]</sup>

## الملحقات والمستلزمات

يمكن بيع الملحقات والمستلزمات بشكل منفصل أو قد تكون غير متوافرة بحسب الإقليم.

## استخدام غطاء المطر

لتركيب الغطاء الواقي من المطر، ضعه فوق عربة الأطفال ثم ثبت مشابك ربط الحلقة في الغطاء الواقي من المطر. <sup>[26]</sup>

! عند استخدام غطاء المطر عليك أن تفحص تهويته دائماً.

! في حالة عدم الاستخدام نرجو أن تتأكد أن غطاء المطر قد تم تنظيفه وتجفيفه قبل طيه.

! يجب عدم طي العربة بعد تجميع غطاء المطر.

! لا تضع الطفل في العربة بعد تجميعها بغطاء المطر في الطقس الساخن.

## تجميع مسند الذراع

**أنظر الصور** <sup>[27 - 30]</sup>

# العناية والصيانة

! يمكن غسل وسادة المقعد القابلة للكَف بالماء البارد وتجفيفه بالتنقيط، بدون تبيض.

! لتنظيف فريم العربة استخدم فقط الصابون المنزلي والماء الدافئ. بدون تبيض أو منظفات.

! افحص العربة بخصوص أي مسامير مثككة أو أجزاء متآكلة أو مواد ممزقة من وقت إلى آخر واستبدال أو أصلح الأجزاء حسب اللازم.

! التعرض الشديد للشمس أو الحرارة يمكن أن يؤدي إلى شحوب أو التواء الأجزاء.

! إذا أصبحت العربة مبللة يتم فتح الغطاء والسماح بتجفيفها جيداً قبل التخزين.

! في حالة صيرير العجلات استخدم الزيت الخفيف (على سبيل المثال رش السليكون أو الزيت ضد الصدأ أو زيت ماكينة الغياطة)، ومن المهم دخول الزيت إلى مجموعة المحور والعجلات <sup>[25]</sup>.

! عند استخدام العربة على الشاطئ يتم تنظيفها جيداً بعد الاستخدام لإزالة الرمل والملح من آليات ومجموعات العجلات.

! إذا كانت دواسة المكابح متيبسة/صلبة/درجة عدم جذب المكابح بالكامل، قم بإزالة أية رواسب من على نظام المكابح بالماء النظيف أولاً قبل التشحيم.

متيبسة/صلبة/درجة عدم جذب المكابح بالكامل، قم بإزالة أية رواسب من على نظام المكابح بالماء النظيف أولاً قبل التشحيم.

! إذا كانت دواسة المكابح متيبسة/صلبة/درجة عدم جذب المكابح بالكامل، قم بإزالة أية رواسب من على نظام المكابح بالماء النظيف أولاً قبل التشحيم.

# تشغيل العربة

## ضبط الميل

يوجد 5 زوايا لمسند الظهر.

أضغط زر الضبط **1 - 10** ثم اضبط مسند الظهر على الزاوية المطلوبة. <sup>[2- 10]</sup>

لرفع مسند الظهر اضغط لأعلى.

تأكد أن الميل قد تم ضبطه بشكل مناسب للاستخدام.

## استخدام الإبزيم

فك الإبزيم

اضغط الزر المركزي لفك الإبزيم <sup>[11]</sup>

إغلاق الإبزيم

يتم توافق إبزيم حزام الوسط مع إبزيم الكتف **1 - 12** ويتم إدخاله مع سماع صوت الطقطقة في الإبزيم المركزي <sup>[2- 12]</sup>. إن صوت الطقطقة يعني أن الإبزيم قد تم إغلاقه بالكامل. <sup>[3- 12]</sup>

! لتجنب الإصابات الشديدة من السقوط أو الانزلاق يتم تثبيت الطفل دائماً من خلال الأربطة.

! تأكد من تثبيت الطفل بإحكام، والمسافة بين الطفل وأربطة الكتف حوالي سمك يد واحدة.

! تجنب تقاطع سيور الأكتاف، فإنها تؤدي إلى الضغط على رقبة الطفل.

## استخدام أربطة الأكتاف والوسط

! لكي تحمي طفلك من السقوط وبعد وضع طفلك في المقعد تأكد مما إذا كانت أربطة الكتف والوسط بالارتفاع والطول المناسب.

المثبت أ لرباط الكتف **1 - 13**

المثبت ب لرباط الكتف. **2 - 13**

ضبط الانزلاق. **3 - 13**

للطفل بحجم أكبر استخدم المثبتات أ لرباط الكتف ومجرى الكتف العليا، وللطفل الأصغر استخدم المثبت ب لرباط الكتف ومجرى الكتف المنخفضة.

لضبط وضع مثبت رباط الكتف يتم تدوير المثبت لكي يكون مستوياً مع الجانب في المواجهة للأمام. ويتم المرور عبر مجرى رباط الكتف من الخلف إلى الأمام. <sup>[14]</sup> أعد المرور من خلال المجرى الأقرب لارتفاع كتف الطفل. <sup>[15]</sup>

استخدم وحدة الضبط المنزلقة لتغيير طول الأربطة. **1 - 16**

اضغط الزر **2 - 16** ، مع سحب رباط الوسط للطول المناسب. <sup>[3- 16]</sup>

## ضبط دعامة سمانة الساق

دعامة سمانة الساق لها وضعين.

أرفع دعامة السمانة

لرفع دعامة السمانة ، فقط اضغط لأعلى.

إنزال دعامة السمانة.

اضغط أزرار الضبط على الجانبين من دعامة السمانة **1 - 17** ويتم تدوير دعامة السمانة لأسفل. <sup>[2- 17]</sup>

## القفل المحوري للعجلات الأمامي واستخدامه

**أنظر الصور** <sup>[18]</sup>

اسحب الأقفال المحورية للعجلات الأمامية لأعلى للمحافظة على اتجاه الحركة <sup>[18]</sup>

**نَظِحْالم**

تتم التوصية باستخدام أقفال العجلات المحورية على الأسطح غير المنتظمة.



Allison Baby UK Ltd,  
Venture Point, Towers Business Park  
Rugeley, Staffordshire, WS15 1UZ

bring the kids™

Share the joy at [joiebaby.com](http://joiebaby.com)

P-IM0060L