

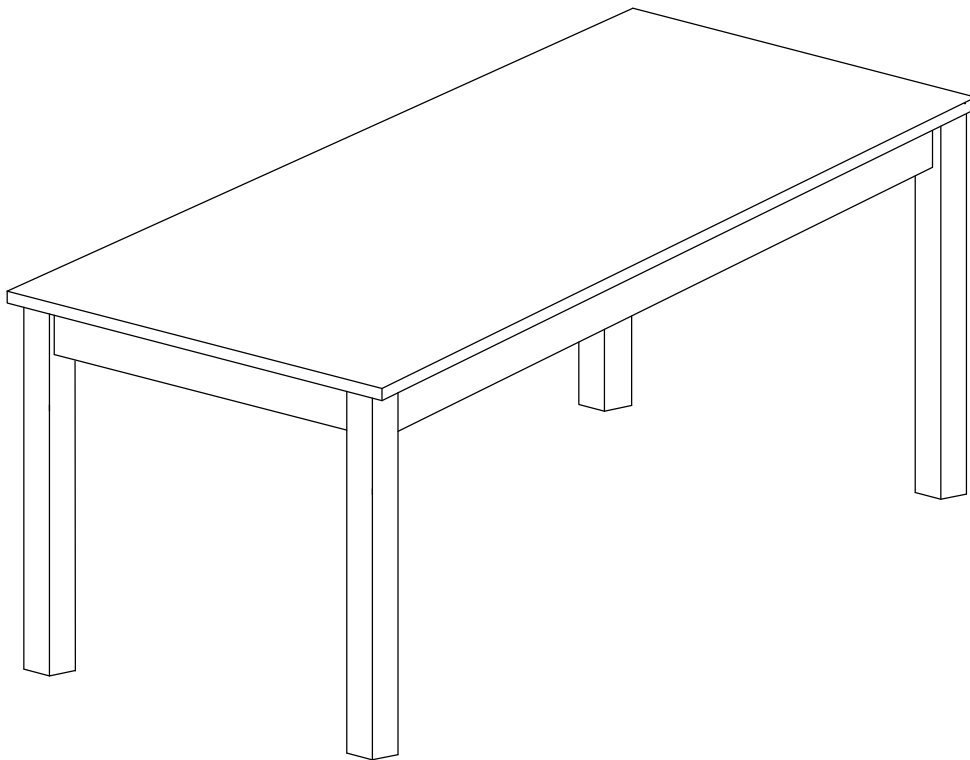
Jessie Dining Table

Assembly Instructions - Please keep for future reference

464 / 7397

H O
M E
BY ARGOS

481 / 6506



Dimensions

Width - 110 cm

Length - 70 cm

Height - 75 cm

Important - Please read these instructions fully before starting assembly

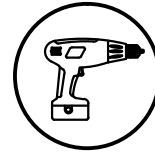
If you need help or have damaged or missing parts, call the **Customer Helpline** :
Argos 0345 640 0800



Safety and care Advice

Important - Please read these instructions fully before starting assembly

- Check you have all the components and tools listed on pages 2.
- Remove all fittings from the plastic bags and separate them into their groups.
- Keep children and animals away from the work area, small parts could choke if swallowed.
- Make sure you have enough space to layout the parts before starting.
- During assembly do not stand or put weight on the product, this could cause damage.
- Assemble the item as close to its final position (in the same room) as possible.
- Assemble on a soft level surface to avoid damaging the unit or your floor.
- Parts of the assembly will be easier with 2 people.



power drill is set on a low torque setting.

- To reduce the likelihood of damaging your product please ensure that your

Care and maintenance

- Only clean using a damp cloth and mild detergent, do not use bleach or abrasive cleaners.
- From time to time check that there are no loose screws on this unit.
- This product should not be discarded with household waste. Take to your local authority waste disposal centre.

Handy Hints

- Assemble all parts and bolts loosely during assembly, only once the product is complete should you fully tighten the bolts
- Regularly check and ensure that all bolts and fittings are tightened properly.

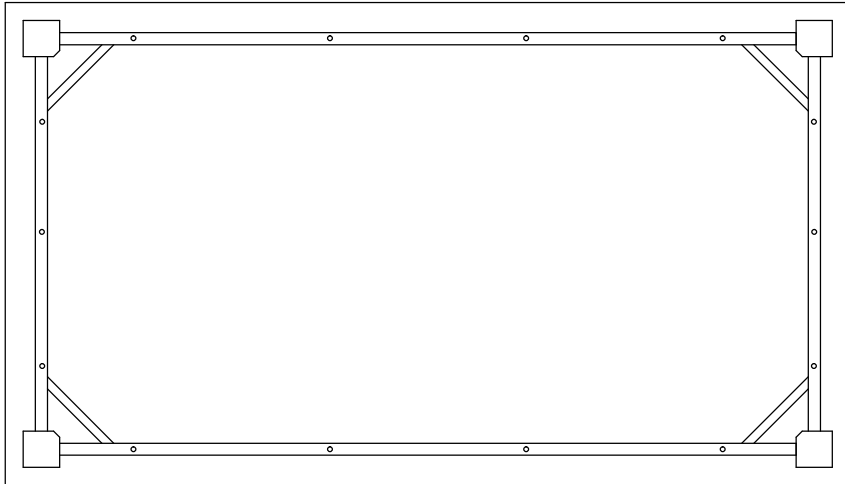
Note : if required the next page can be cut out and used as reference throughout the assembly. Keep this page with these instructions for future reference.

Components - Part

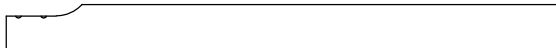
If you have damaged or missing components
, call the Customer Helpline :
Argos= 0345 640 0800

Please check you have all the parts listed below

- 1 Table Top
(1.8 x 70 x 110cm)



- 2 Leg
(4.5 x 4.5 x 73cm)

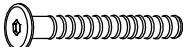





Components - Fittings

If you have damaged or missing components
, call the Customer Helpline :
Argos= 0345 640 0800

Please check you have all the parts listed below

Note : The quantities below are the correct amount to complete the assembly. In some cases more fittings may be supplied than are required.

<p>A</p>  <p>M6 x 50mm JCBC Screw x 8</p>	<p>B</p>  <p>Spring Washer x 8</p>	<p>C</p>  <p>Flat Washer x 8</p>
<p>D</p>  <p>Allen Key x 1</p>		

Tools required



Ruler/tape
measure

Ruler - Use this ruler to help correctly identify the screws



The screws length is measured from the head to the point (30mm screw shown).

Assembly Instructions

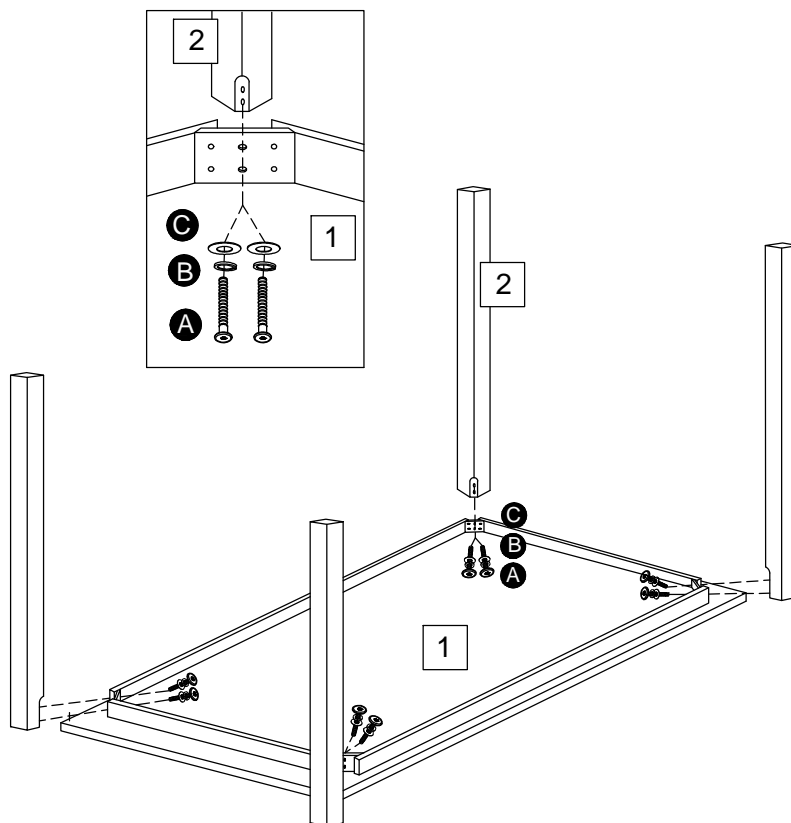
Step 1

Assembling legs

Carefully place table top **1** upside down onto a clean flat surface.

Assemble legs **2** to table top **1** using fixings **A**, **B** and **C**.


Note: Ensure the legs are tight but do not overtighten.

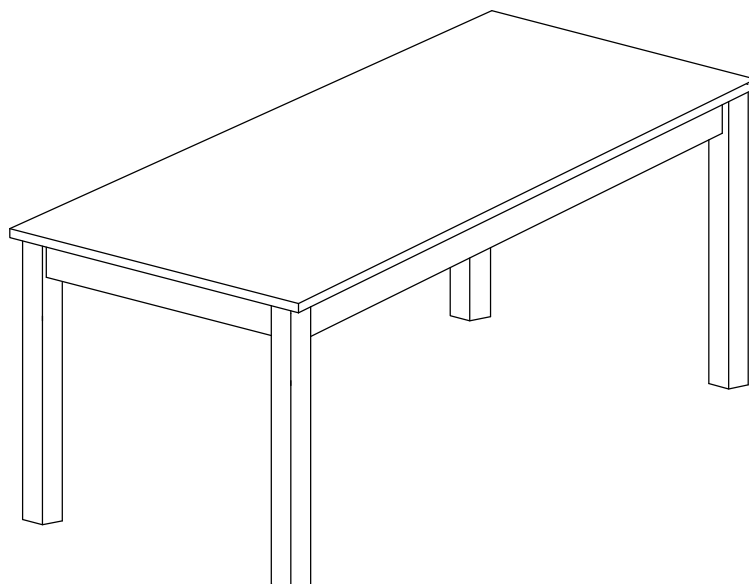


Step 2

Turn upright

With help, carefully turn the table upright.

 **Warning** The table is heavy. Lift with care.



Assembly is complete

If you need help or have damaged or missing parts, call the **Customer Helpline : 0345 640 0800**