



# ORIGINAL INSTRUCTION MANUAL



## McGregor 1200W Electric Rotary Mower

76O6146 (Model: M3E1233RA)

**Important - Please read these  
instructions fully before starting assembly**

These instructions contain important information that will help you get the best from your mower, ensuring it is assembled correctly and safely. If you need help or have damaged or missing parts, call the Customer Helpline on **0345 605 2063**

**AFTER SALES SUPPORT  
0345 605 2063**

# Contents

<b>Safety Information</b> .....	<b>3</b>
Warning Symbols .....	3
General Safety.....	5
Personal Safety .....	7
Operation and Maintenance Safety .....	11
Intended Use .....	12
Service .....	12
<b>In the Box</b> .....	<b>13</b>
Parts .....	13
<b>Assemble</b> .....	<b>14</b>
Step 1 - Handle Assemble .....	14
Step 2 - Grass Collection Box Assemble.....	15
Step 3 - Fitting .....	16
<b>Prepare</b> .....	<b>17</b>
Step 1 - Setting the Cutting Heights .....	17
Step 2 - Connection to the Power Supply.....	17
<b>Operate</b> .....	<b>18</b>
Step 1 - On / Off Operation.....	18
Step 2 - Mowing Direction .....	18
Step 3 - Grass Collection Box Full Indicator.....	19
Step 4 - Empty Grass Collection Box .....	19
<b>Maintenance and Repair</b> .....	<b>20</b>
Storing .....	20
Cleaning .....	20
Blade Maintenance.....	21
<b>Technical Data</b> .....	<b>22</b>
Technical Date Table .....	22
Part List .....	22
Recycling and Disposal .....	23
<b>Troubleshooting</b> .....	<b>24</b>
General Troubleshooting .....	24
<b>Getting Help</b> .....	<b>25</b>
Customer Helpline .....	25
Guarantee.....	25

# Safety Information

**Important - Please read these instructions fully before starting assembly**

## **Warnings Symbols**

The following warning symbols appear throughout this manual and indicate the appropriate safety measures you should take when assembling and operating the mower.



Take extra care, beware of hazards.



Read instruction manual.



Wear eye and ear protection.



Do not use the machine in the rain or leave it outdoors when it is raining.



Pay attention that bystanders are not injured by objects thrown out from the machine.



Keep bystanders a safe distance away from the machine.



Sharp blade. Beware of injury to toes or fingers.



Disconnect from the mains supply before any maintenance work.



Warning. Beware of electric shocks.



Keep the mains supply cord away from the cutting blade.



# Safety Information

Important - Please read these instructions fully before starting assembly

## Warnings Symbols (continued)



Wait until all moving parts have stopped completely before touching them. The blade may continue to rotate after the machine is switched off, a rotating blade can cause injury.



Noise level specification Lwa in dB.



Protection class II



Do not dispose of electrical equipment in domestic waste.



Cutting width



**Important!** When using equipment, the following safety precautions must be followed to avoid injuries and damage.

- Read all operating instructions carefully and comply with them. It is important to understand these instructions and to acquaint yourself with the machine, its correct usage and all safety requirements.
- Keep this manual in a safe place so that the information is available at all times.
- If you give the equipment to any other person, give them these operating instructions as well.
- We accept no liability for damage or accidents which result from non-compliance with these instructions.



## Safety Information

Important - Please read these instructions fully before starting assembly

### General Safety



**Note!** Only supply power to the equipment through circuit protected by an RCD with a maximum trip current of 30 mA.

- Use only plugs or connectors approved for outdoor usage.
- Extension cables must comply to H07RN-F requirements as described in DIN 57 282/VDE 0282 and must have a minimum cross-section of 1.5 mm<sup>2</sup>. The plug must have an earth and any connection must also be earthed and splashproof. Before use, check the cables for signs of damage and ageing. Never use the mower if the cables are not in perfect condition (this also applies to the supply cable on the mower). If the cable is damaged whilst the mower is working, disconnect the mains plug from the power supply immediately and then check the extent of the damage.
- Never allow children or others who are not familiar with the operating instructions to use the lawn mower. Local regulations may stipulate the minimum age of the user of this type of machinery.
- In areas where the mains supply is weak or bearing a high load, this mower may cause further voltage fluctuations as it starts. In extreme cases, this can cause damage to other equipment working from the same supply. In this case we recommend to temporarily switch off any unneeded equipment or connect it to a different circuit.
- This appliance can be used by children aged from 8 years and above and persons with reduced physical, sensory or mental capabilities or lack of experience



## Safety Information

**Important - Please read these instructions fully before starting assembly**

### **General Safety (continued)**

and knowledge if they have been given supervision or instruction concerning use of the appliance in a safe way and understand the hazards involved. Children shall not play with the appliance. Cleaning and user maintenance shall not be made by children without supervision.



# Safety Information

**Important - Please read these instructions fully before starting assembly**

## **Personal Safety**

- Always check the mower for signs of damage before each usage.
- Always disconnect the mains lead from the electrical supply before carrying out any inspection, servicing or maintenance work.
- Ensure that all the guards are securely fitted and in good working order.
- Check the grass collection box at regular intervals for signs of wear and to ensure that it is always in perfect working order.
- Before each use, inspect the mower to check the cutting blade, fastening bolts and the entire cutting unit for any signs of wear or damage. To prevent imbalance or vibration, worn or damaged cutting blades and fastening bolts must always be replaced in full.
- Damaged parts on the mower must be replaced by qualified personnel. Use only genuine spare parts.
- Repair work on the electrical parts of the lawn mower may only be carried out by a qualified electrician.
- Follow the instructions to fit or remove the blade and wear protective gloves.
- The user remains responsible for any injury to third parties within the working area of the lawn mower whilst the lawnmower is being used.
- Only work in good daylight or appropriate and adequate artificial light.
- Never use the mower when you are tired.



## Safety Information

**Important - Please read these instructions fully before starting assembly**

### **Personal Safety (continued)**

- Never run the mower in enclosed or poorly ventilated rooms or if there are inflammable or explosive fluids, vapours or gases nearby.
- Switch off the motor and disconnect the mains lead before clearing blockages in the grass ejection area and before you inspect it if the mower has struck a foreign body.
- Always use the lawn mower with the grass collection box correctly fitted.
- Check the site on which you intend to use the lawn mower and remove all objects that may be caught or thrown up by the mower. Foreign bodies must be removed before you start mowing. Keep an eye of the power cable and keep it away from the cutting blade at all times.
- Ensure that you do not push the mower over areas that might damage or snare the power cable.
- Never lift the lawn mower when you start the motor.
- Before you lift the lawn mower to transport it, switch off the motor, disconnect the mains lead and wait until the blade has come to a complete standstill.
- When you start the motor, the lawn mower should not be tilted unless the grass is particularly long. In this case only tilt it up as far as is really necessary and only raise the side that is furthest away from the user.
- Never reach towards rotating parts with your hands or feet. Always keep away from the discharge chute.
- Before you attach or empty the grass collection box, switch off the motor and wait until the blade has come to a complete standstill.





## Safety Information

**Important - Please read these instructions fully before starting assembly**

### **Personal Safety (continued)**

- Make sure you keep your feet at a safe distance from the mower blade at all times! Do not stand near the grass ejection chute if the grass collection box is not fitted.
- The safety distance from the moving blade produced by the push handle must be maintained at all times.
- If you use the mower on a small incline, mow across the slope (not in an up and down direction). Always be sure of your footing on slopes.
- Be particularly careful when changing direction with the mower whilst working on a slope.
- Do not use the lawn mower on gradients of over 15 degrees.
- Ensure that you have safe footing at all times whilst working with the mower.
- Always wear strong, anti-slip footwear and long trousers when using the mower. Never mow in bare feet or in open-toed sandals.
- When the mower is running ensure that no person or pet, particularly children and animals, is in the immediate vicinity of the lawn mower. Ensure that you keep everybody at least 10 meters away from the mower when it is working.
- Switch off the motor and disconnect the plug from the power supply if the mower strikes a foreign body. Check the mower for signs of damage and carry out all necessary repair work before you start the mower again.
- If the lawn mower begins to vibrate abnormally, switch it off immediately, disconnect the plug immediately and check it carefully.



## Safety Information

**Important - Please read these instructions fully before starting assembly**

### **Personal Safety (continued)**

Ensure that all the nuts, bolts and screws are tight and that the mower is in a safe condition for use.

- Do not leave the mower out in the rain. The lawn must not be wet or very damp.
- Only push the mower at a normal walking pace.
- Be particularly careful when you change the direction of the mower or pull it towards you. Avoid pulling it towards you while the blade is moving.
- Switch off the mower if it has to be pushed over surfaces other than grass, and when moving the mower to and from the area you wish to mow.
- Carefully actuate the starter switch in accordance with the instructions. (See Operating Instructions)
- Do not switch the mower on and off frequently over a short period of time, and in particular do not play with the ON/OFF switch.
- Do not touch the cutting blade until the machine has been disconnected from the mains and the cutting blade has reached a complete standstill.
- Never lift or carry the mower whilst the motor is running.
- Switch off the motor and disconnect the plug whenever you leave the lawn mower.
- Keep the lawn mower in a dry place which is inaccessible to children at all times.
- Before you adjust or clean the mower or check whether the mains lead is kinked or damaged, switch off the mower and disconnect the plug from the power supply.



## Safety Information

Important - Please read these instructions fully before starting assembly

### Operating and Maintenance Safety



**CAUTION!** Read all safety requirements and instructions.

Any errors made in following the safety requirements and instruction may result in an electric shock, fire and serious injury.

Keep all safety regulations and instructions in a safe place for future use.

- Do not use the lawnmower if the cords are damaged or worn.
- Do not connect a damaged cord to the mains supply or touch a damaged cord before it is disconnected from the mains supply. A damaged cord could allow parts to become live and cause a risk of electrocution.
- Do not attempt to touch the blades before the machine is disconnected from the supply and the blades have come to a complete stop.
- Keep extension cords away from the blade. The blade can cause damage to cords and lead to contact with live parts.



- Disconnect from the mains supply (i.e. remove the plug from the mains socket).
  - Whenever leaving the machine unattended.
  - Before cleaning a blockage.
  - After striking a foreign object.
  - Whenever the machine starts vibrating abnormally.



## Safety Information

**Important - Please read these instructions fully before starting assembly**

### Intended Use



This lawnmower is designed for domestic use only:

- This electric lawnmower is intended for mowing lawns in domestic and hobby gardens.
- This product is not to be used in wet weather conditions and may not be used to mow wet or unusually high grass, e. g. pasture grass or for shredding leaves.
- This product is intended for private domestic use only, not for any commercial trade use.

It must not be used for any purposes other than those described. Any use of the machine that deviates from its intended use and is not included in these instructions is considered unauthorized use and relieves the manufacturer from his or her legal liability. This includes the use of unapproved accessories and replacement parts.

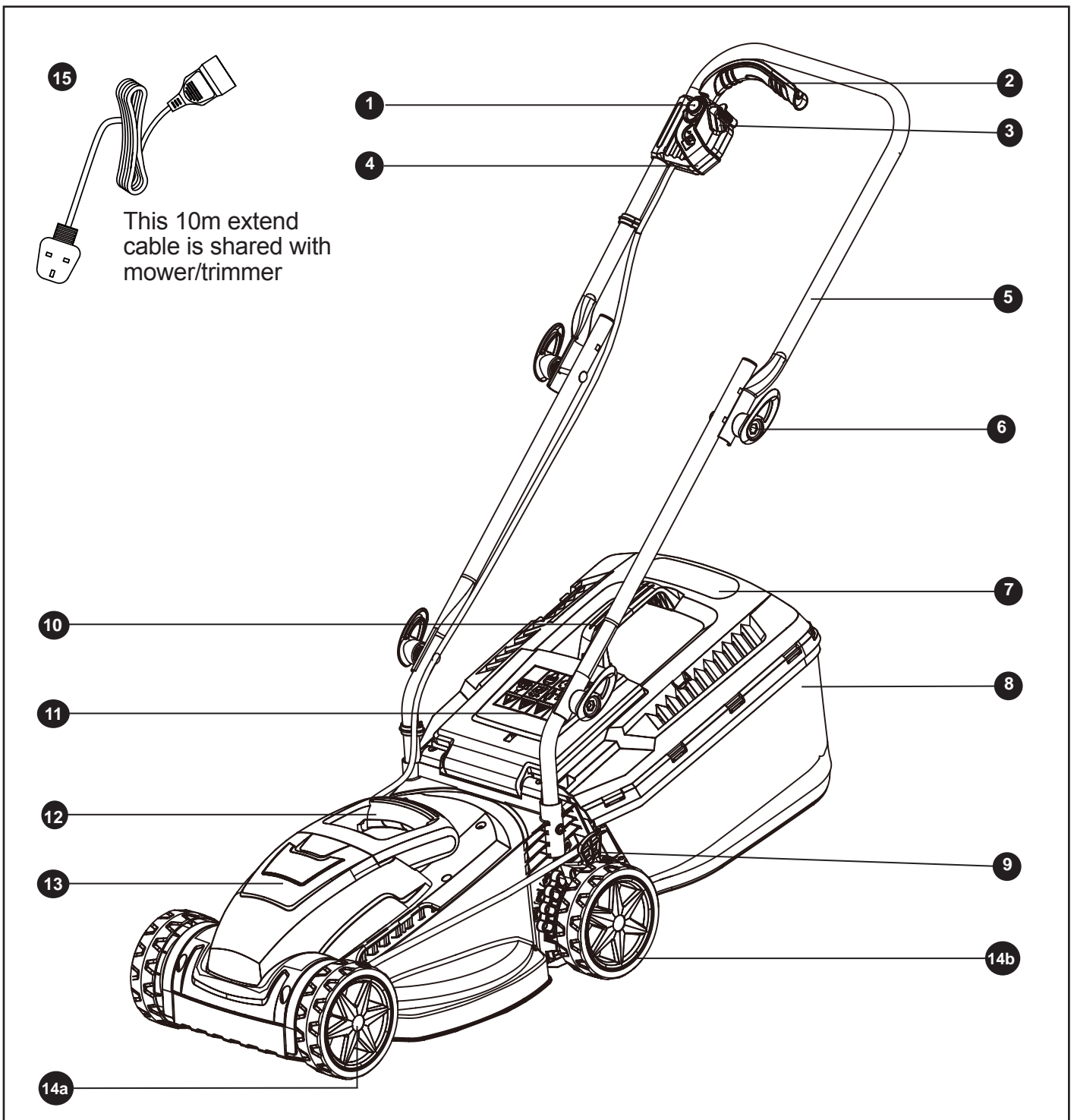
### Service

This tool is manufactured in accordance with the relevant safety regulations. To avoid danger, electrical appliances must only be repaired by qualified technicians. Call our customer helpline at 0345 605 2063 for advice.

# In the Box

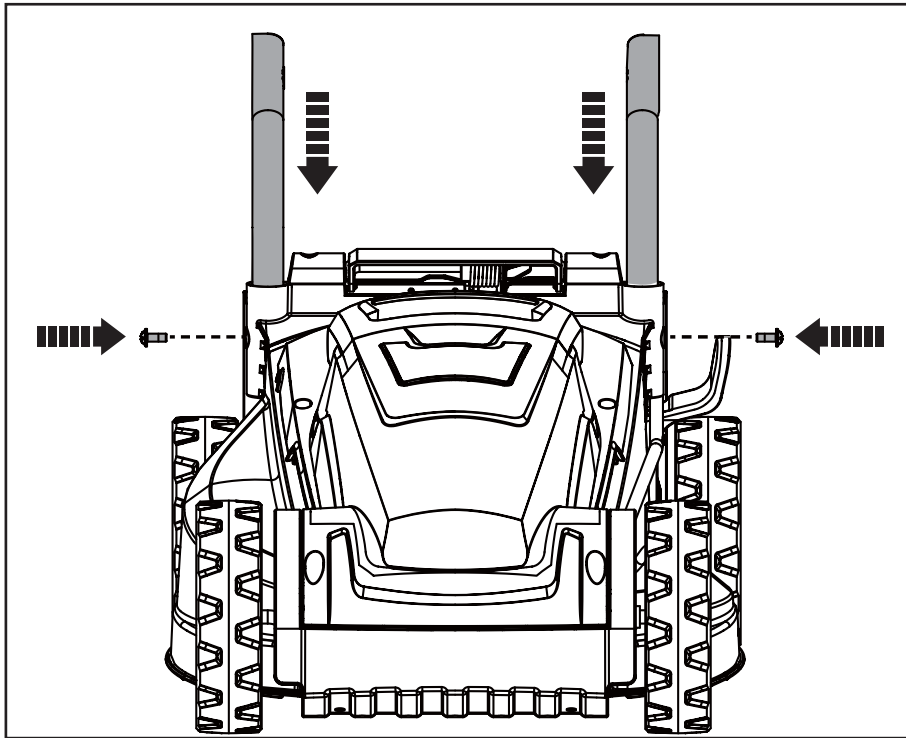
## Parts

- |                          |                                  |                                |                 |
|--------------------------|----------------------------------|--------------------------------|-----------------|
| 1 Lock-off safety button | 6 Wing knob                      | 10 Grass collection box handle | 14b Rear wheels |
| 2 Switch lever           | 7 Grass collection box top cover | 11 Deflector Guard             | 15 Extend cable |
| 3 Cable strain-relief    | 8 Grass collection box           | 12 Carrying handle             |                 |
| 4 Switch box housing     | 9 Cutting height adjuster        | 13 Motor housing               |                 |
| 5 Handle bar             |                                  | 14a Front wheels               |                 |

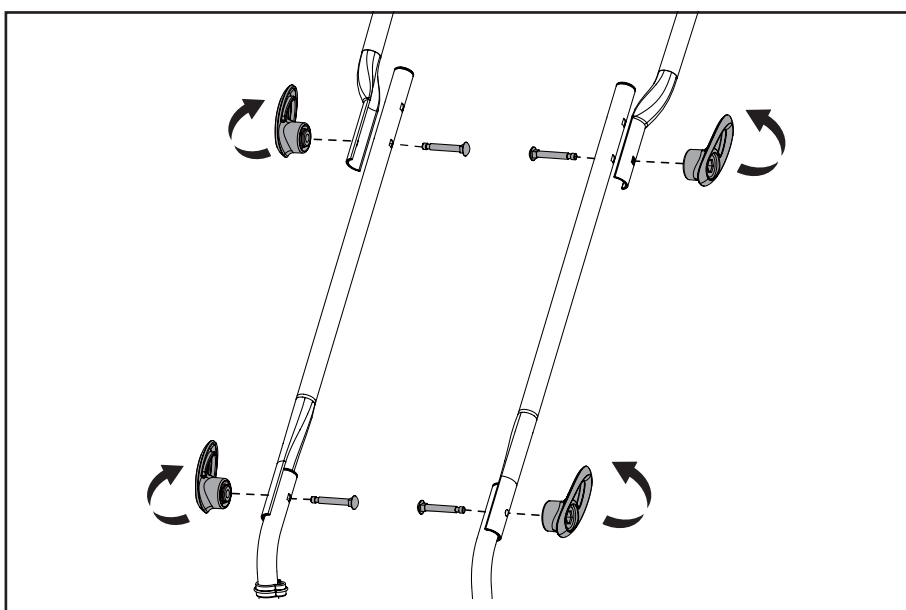


# Assemble

## Step 1 - Handle Assembly



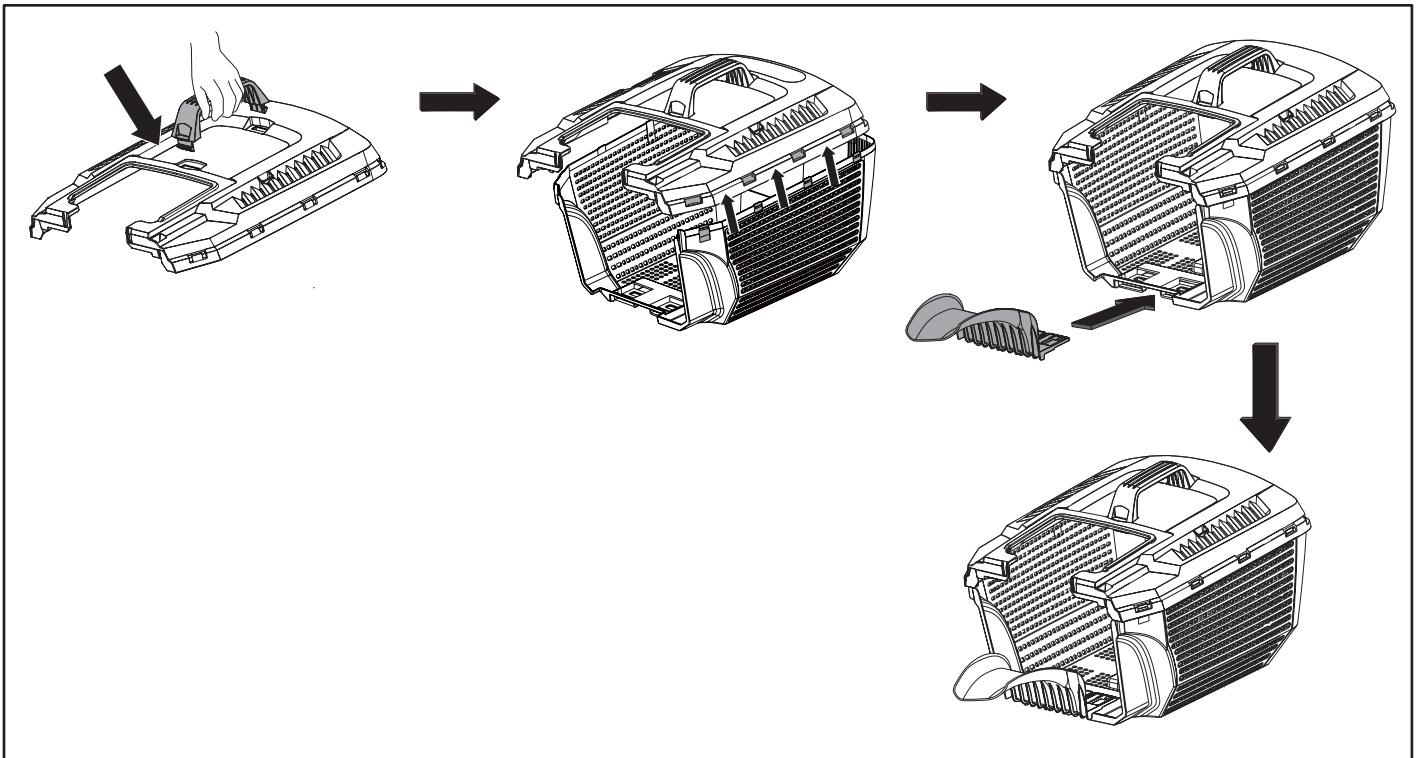
- Insert the lower handle into the slot on the mower deck. Fasten in position with the 2 screws provided
- Attach the straight tubes to the lower handle tubes using bolts and wingknobs.
- Attach the upper section of the handle to the straight tubes using bolts and wingknobs.



- Attach the Middle handle bar to the lower handle bar using bolts and wingknobs.

# Assemble

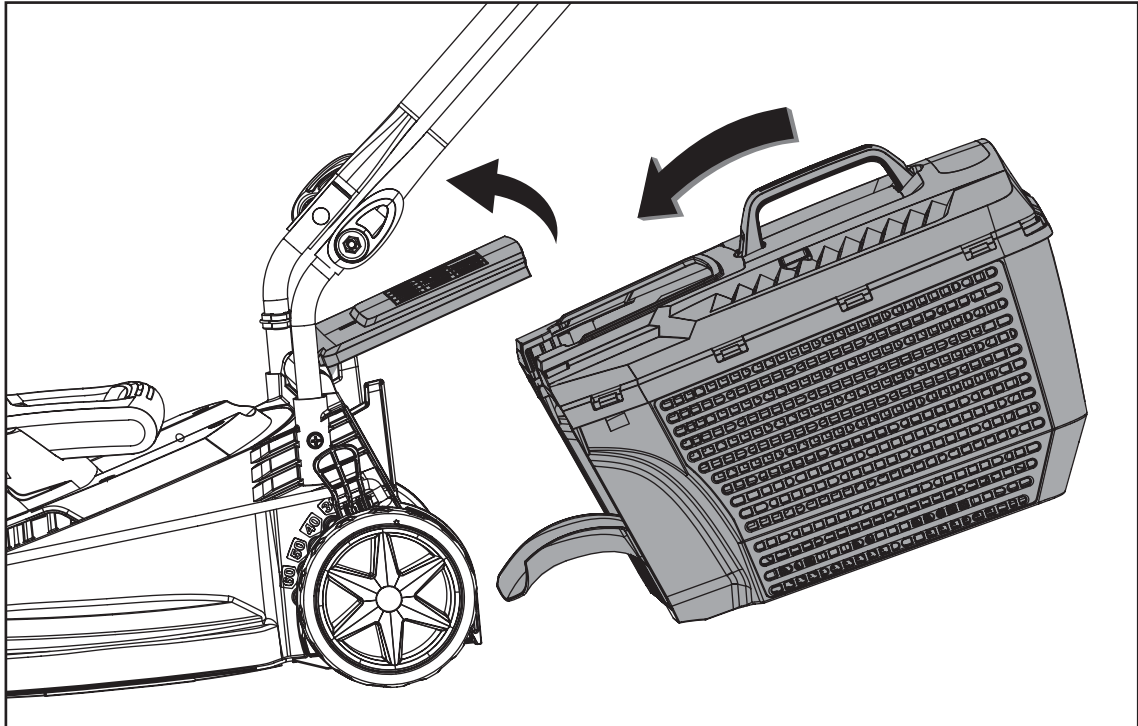
## Step 2 - Grass Collection Box Assemble



- Push fit the grassbox upper on to the grassbox lower. Start with the clips at the front and work your way to the back of the grassbox. Insert the grassbox handle into the grassbox upper. Slide the tongue on to the front of the grassbox lower.

# Assemble

## Step 3 - The Grass Collection Box



- Lift the deflector guard

Place the grass Collection box on the mounting bracket provided at the back of the lawnmower.

Lower the deflector guard onto the grass collection box.

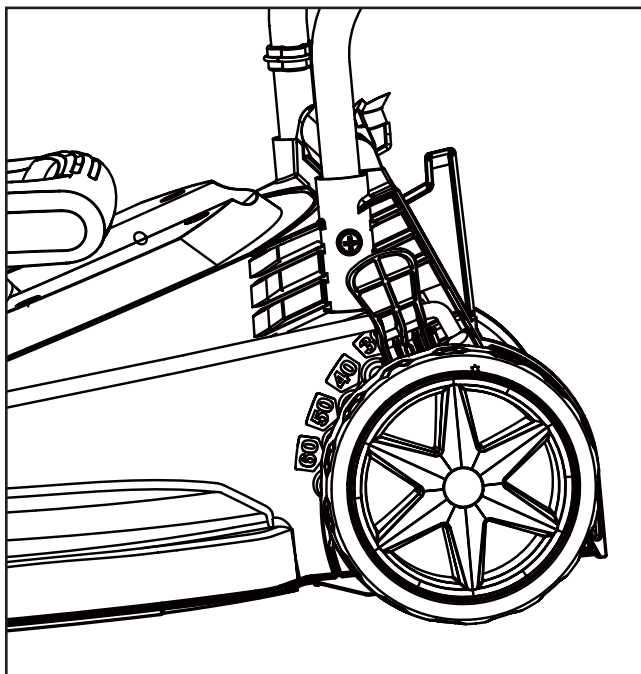
Always ensure grass deflector and grass collection box fit securely.



# Prepare

## Step 1 - Setting the Cutting Heights

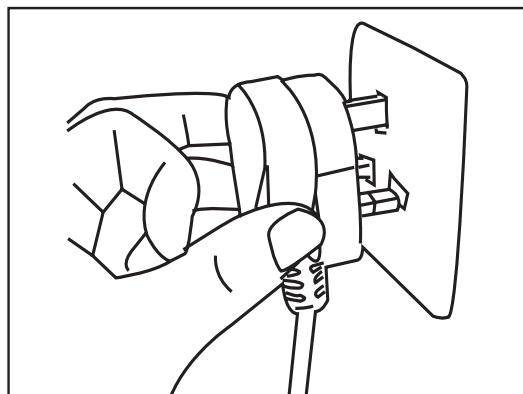
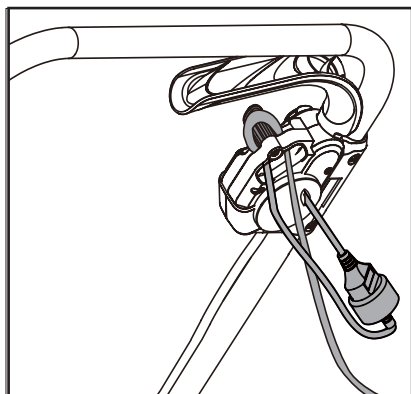
When cutting longer grass always raise the cutting height and cut the grass in 2 or more passes by lowering the cutting height gradually at each pass, never cutting the grass by more than half its height.



Cutting adjustment	Rear
Cutting heights	20 / 30 / 40 / 50 / 60 mm

- When cutting longer grass always raise the cutting height and cut the grass in 2 or more passes by lowering the cutting height gradually at each pass, never cutting the grass by more than half its height.

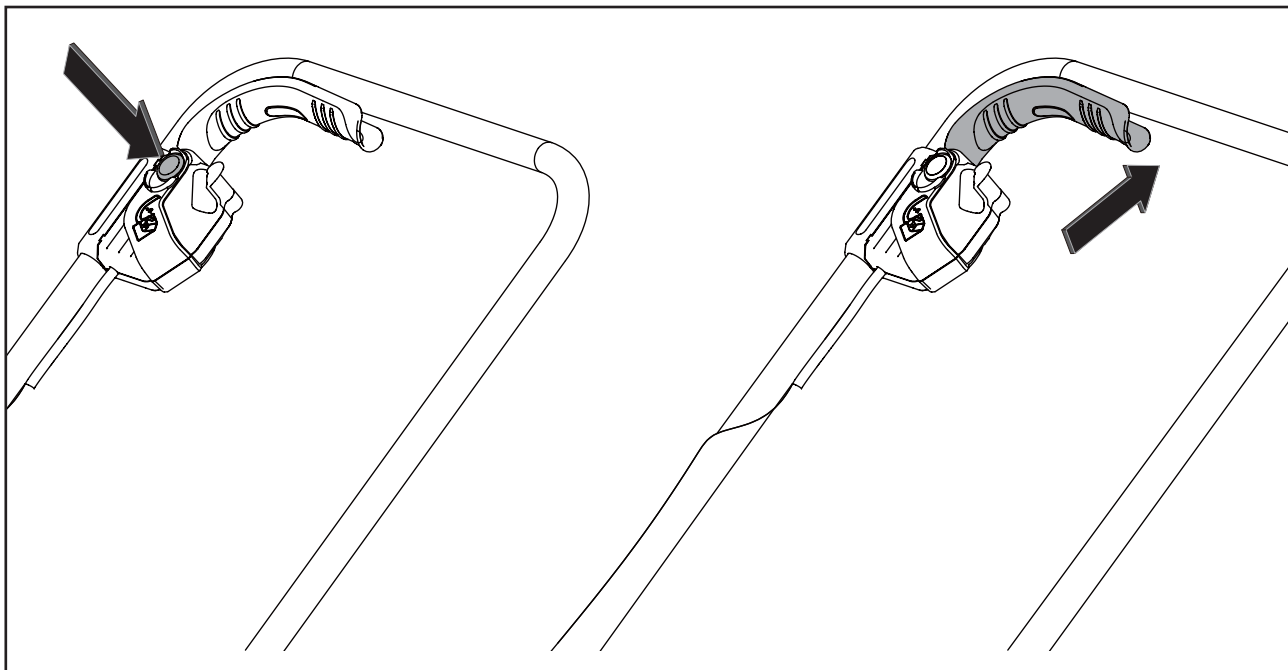
## Step 2 - Connection to the power supply



- Hook the mains cable through the cable strain-release.
- Connect the plug to the main socket.

# Operate

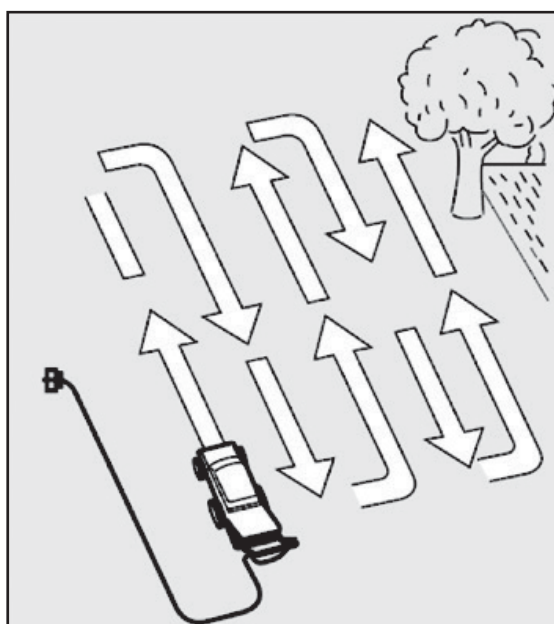
## Step 1 - On/Off Operation



To switch on, press the safety lock-off button on the handle, then activate the start/stop switch lever. Release the lock-off button.

- To switch off, release the start/stop switch lever.
- After switching off the equipment, the blade may continue to turn for several seconds. Do not touch the moving blade. There is a risk of serious injury.

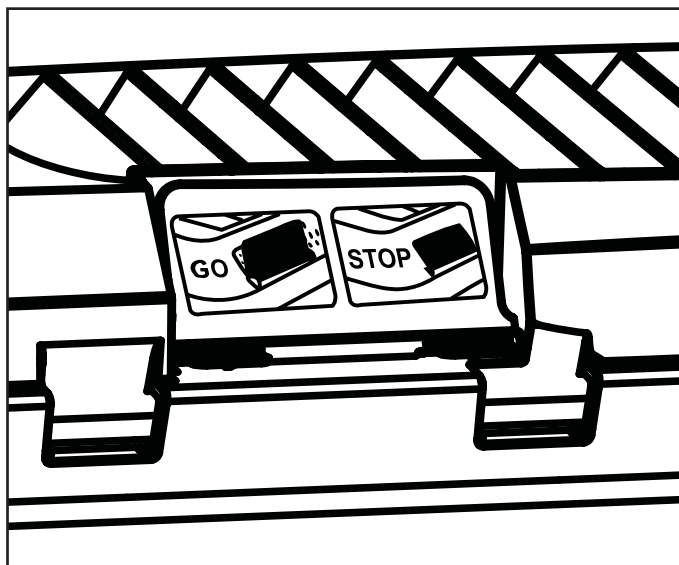
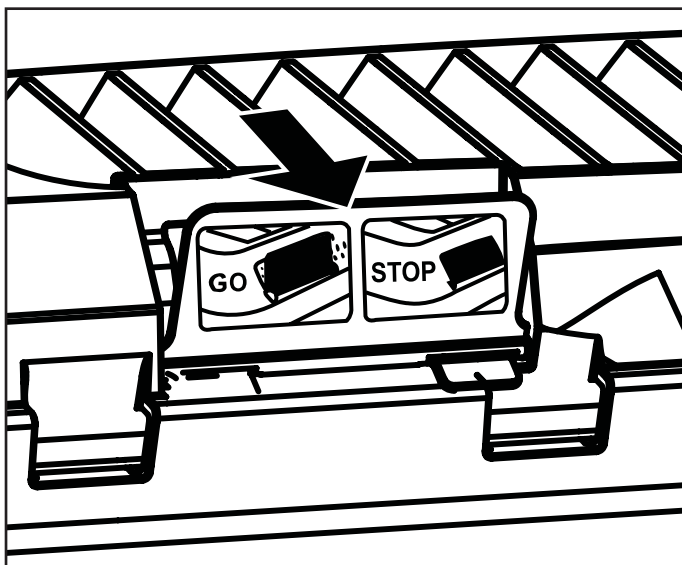
## Step 2 - Mowing direction



- Place the mains lead in loops on the ground near the wall socket. Mow away from the socket and cable and ensure that the mains lead is always on the section of lawn that you have already mowed so that you do not run over the mains lead with the mower. The blades can cause damage to the power cord if contact is made and risk electrocution.

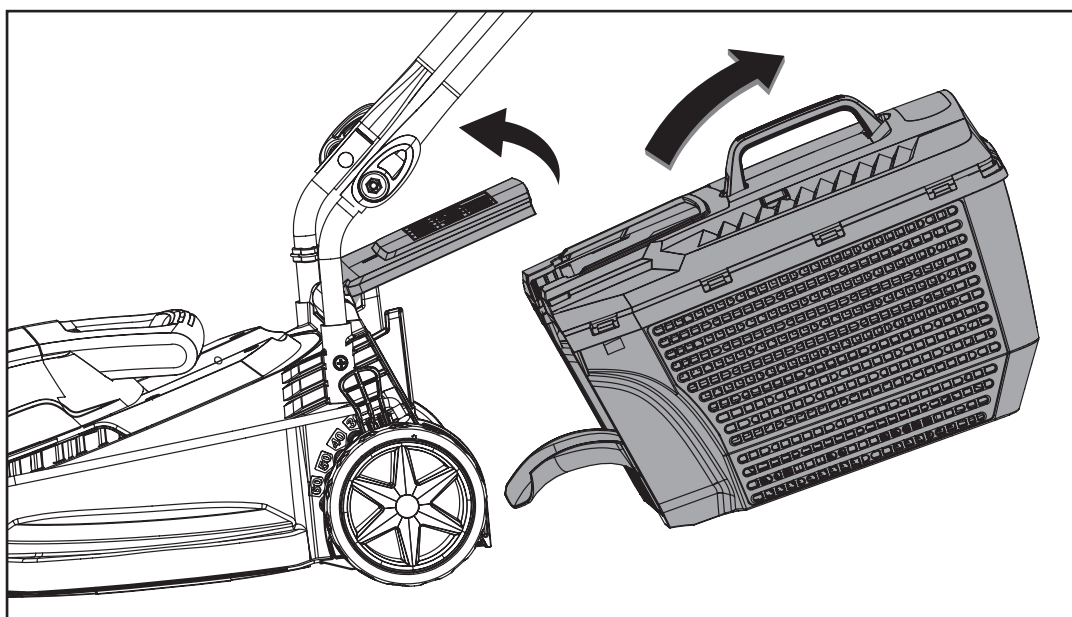
# Operate

## Step 3 - Grass Collector Full Indicator



- When this flap remains open as you work, it means that the grass collector is not full (air flowing freely through the grass collector).
- When this flap remains closed it means that the grass collector is full and needs to be emptied (no airflow through the grass collector)

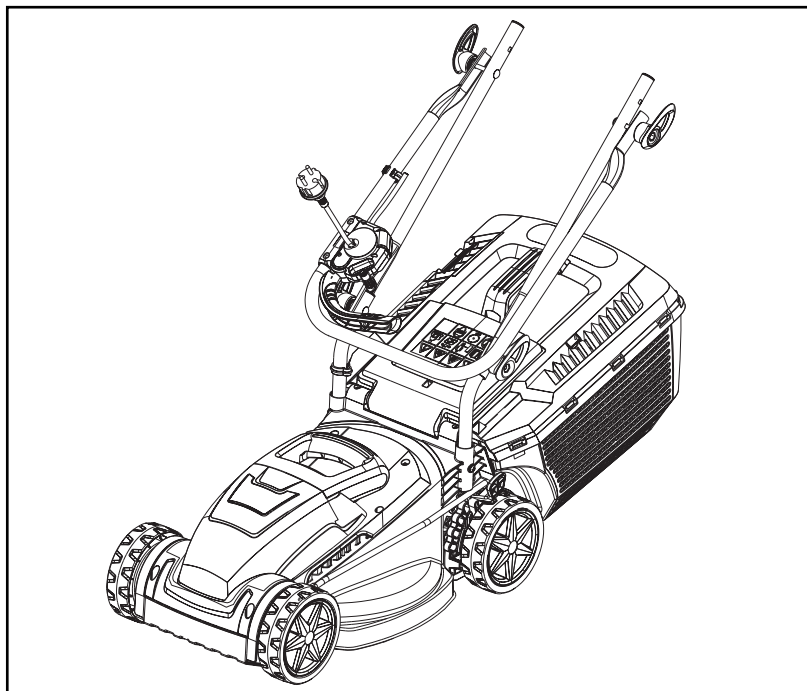
## Step 4 - Empty Grass Collection Box



- To remove the grass collector, raise the deflector guard with one hand and remove the grass collector holding its handle with your other hand. To maintain safety, the deflector guard automatically closes.

# Maintenance and Repair

## Storing



- When the two wing nuts are loosened, the handle can be folded for easy storage, Ensure the power cable is not caught between the folding sections.

## Cleaning



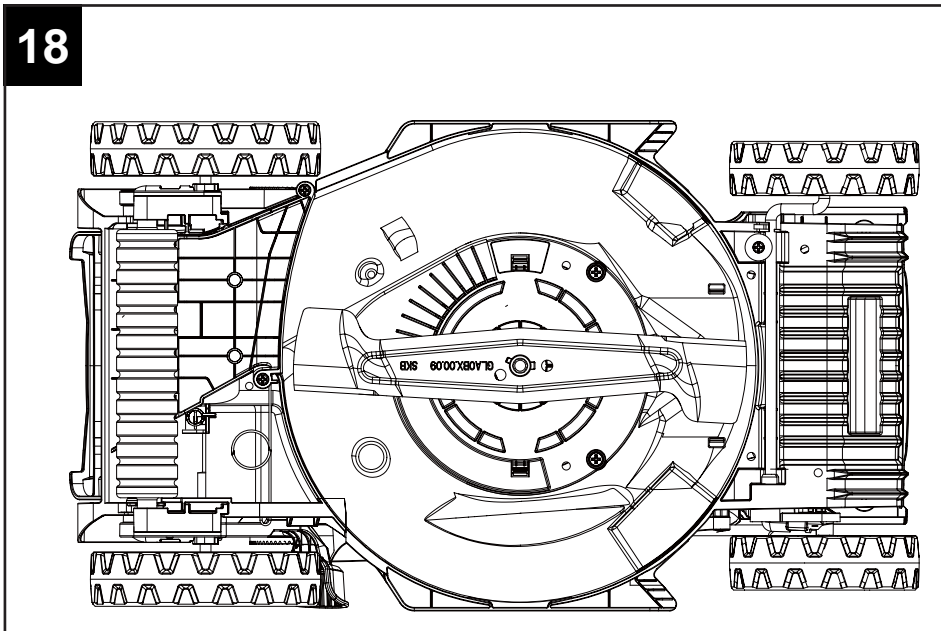
**WARNING:** Always switch the product off, disconnect it from power supply and let the product cool down before performing inspection, maintenance and cleaning work!

### Cleaning

- Keep all safety devices, air vents and the motor housing free of dirt and dust as far as possible. Wipe the equipment with a soft brush or blow it with compressed air at low pressure after usage.
- Clean the mower regularly with a soft brush. Do not use cleaning agents or solvents; these may damage plastic components.
- Ensure that no water can seep into the device.

# Maintenance and Repair

## Blade Maintenance



If the blade is blunt, it can be sharpened in a specialised workshop. If the blade is damaged or showing signs of imbalance, it must be replaced.

Carry out the following steps to change the blade:

- Turn the mower over and rest it carefully on its side .
- Use sturdy gloves and hold the blade firmly. Turn the blade bolt anticlockwise to remove the blade .
- Install the new blade in the reverse order. Ensure that the blade is positioned correctly and the screw tightened firmly. The blade's wings should be angled upwards (towards the mower).
- Tighten the fastening bolt. The tightening torque should be approx. 25 Nm.



**IMPORTANT!** Always wear work gloves when engaging in any maintenance work.

Only replace the blade with a suitable replacement blade as this will ensure top performance and safety under all conditions.

# Technical Date

## Technical Date Table

Model	7606146 (Model: M3E1233RA)
Voltage	220-240V~ 50Hz
Power input	1200W
Motor speed	3450/min
Cutting width	33cm
Cutting height adjustment	20, 30, 40, 50, 60mm; 5 levels
Grass Collection box	33 liters
Wheel size	140 mm
LpA sound pressure level	84dB(A), K=3dB(A)
LWA sound power level	96 dB(A)
Vibration at the handlebars ahv	< 2.5m/s <sup>2</sup>
Protection class	□ II

## Part List

<b>PART NUMBER</b>	<b>ACCESSORIES</b>
<b>7606146 ( M3E1233RA )</b>	
111013116	Blade
111228112	Grass collection box
111228107	Wing knobs

# Technical Data

## Recycling and Disposal

Recycle unwanted materials instead of disposing of them as waste. All tools, hoses and packaging should be sorted, taken to the local recycling centre and disposed of in an environmentally safe way.

Recycle rather than dispose of unwanted material in landfill whenever possible. The machine must be delivered in rigid packaging to avoid damage during transportation. The packaging and the machine itself are manufactured from recyclable materials and should be disposed of accordingly.

Only dispose of electrical/electronic/battery items in separate collection schemes, which cater for the recovery and recycling of materials contained within. Your cooperation is vital to ensure the success of these schemes and for the protection of the environment.



Recycle packaging where facilities exist.

This symbol is known as the Crossed out Wheelie Bin Symbol. When this symbol is marked on a product or battery, it means that it should not be disposed of with your general household waste. Some chemicals contained within electrical/electronic products or batteries can be harmful to health.

# Troubleshooting

## General Troubleshooting



### WARNING!

Only perform the steps described within these instructions!

All further inspection, maintenance and repair work must be performed by an authorised service centre or a similarly qualified specialist if you cannot solve the problem yourself!

Always turn off the machine and remove the plug before making any adjustment.

The following table provides solutions to common problems encountered with the mower.

Fault	Possible Cause	Solution
Mower does not start	No power at mains socket	Check the fuse, switch, socket, cable, wire and have any repairs carried out by a qualified electrician
	Defective on/off switch	Repair by a qualified technician required
	Defective motor	
	Grass too long	Set at a higher cut setting. Lift the front wheels slightly by pressing down on the handle bar.
Motor stops	Blade is blocked	Disconnect from mains and remove blockage
Untidy finish, motor labours	Cut height too low	Set a higher cut height
	Blade blunt	Sharpen or replace the blade
	Blade area blocked	Remove blockage
	Blade assembled incorrectly	Install the blade correctly
Blade fails to turn	Blade blocked by grass	Remove blockage
	Blade bolt loose	Tighten the blade bolt
Strange noises, rattling or vibrations	Blade bolt loose	Tighten the blade bolt
	Blade damaged	Replace the blade



# Getting Help

## Customer Helpline

Our dedicated UK based customer helpline is open to assist you with assembly, parts queries and technical support. We are open during office hours.

Our experts are here to get you back enjoying your garden in no time.

Calling our service does not affect your statutory rights.

After sales helpline number: 0345 605 2063.

## Guarantee

Dear Customer,

In the unlikely event that your device develops a fault, please contact our Customer service department on the telephone number shown below.

1. These guarantee terms cover additional guarantee rights and do not affect your statutory warranty rights. Claims must be accompanied by Proof of Purchase. This must be in the form of a Sales receipt or Bank statement and must show that the product has been purchased within 2 years prior to the claim, from the retailer that it was originally sold to.

2. Our guarantee covers problems caused by material or manufacturing defects.

Please note that our devices have not been designed for use in commercial, trade or industrial applications. Consequently, the guarantee is invalidated if the equipment is used in commercial, trade or industrial applications or for other equivalent activities.

3. The following are also excluded from our guarantee :

- A. Faults due to accidents, customer misuse or unauthorized repairs
- B. Failure due to lack of routine maintenance.
- C. Failure as a result of not using the equipment in accordance with the manual and safety instructions
- D. The adjustment of cables, drive belt , Blade.

4. The guarantee is valid for a period of 2 years starting from the purchase date of the device.

Guarantee claims should be submitted before the end of the guarantee period within two weeks of the defect being noticed. No guarantee claims will be accepted after the end of the guarantee period. The original guarantee period remains applicable to the device even if repairs are carried out or parts are replaced. In such cases, the work performed or parts fitted will not result in an extension of the guarantee period, and no new guarantee will become active for the work performed or parts fitted. This also applies when an on-site Service is used.

5. Please keep your sales receipt in a safe place.