

# BUSH

Contact:

[www.argos-support.co.uk](http://www.argos-support.co.uk)

Helpline: 0345 257 7271

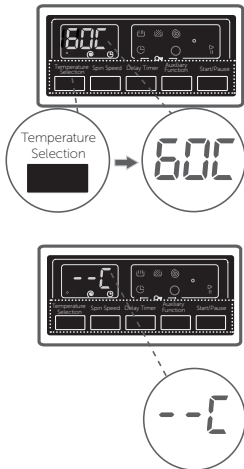
52231150

# 3 Using your washing machine for the first time

Let's get started

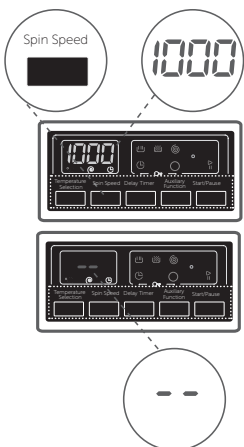
## Temperature selection

You can select the washing water temperature with the washing water temperature selection button.



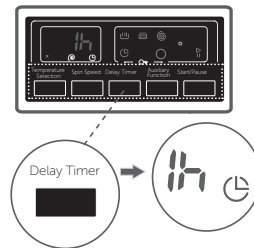
## Spin Speed Selection

You can set the spin speed for your laundry via the spin speed button.



## Delay timer

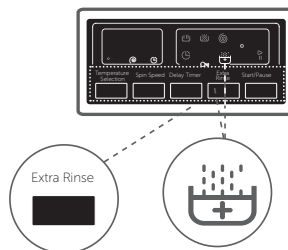
Instead of starting the programme immediately you can delay the start by up to 23 hours. Simply press the delay timer button repeatedly until the required number of hours delay is shown, then press any button, except the Start/Pause button.



## Extra Rinse

You can add an additional rinse to your programme via the control panel.

Simply press the Extra Rinse button until the symbol on the display lights up.



# 4 Troubleshooting

Help is always at hand

## Help and assistance

If you require any technical guidance or find that your WMDFX714W / WMDFX814W / WMDFX1014W / WMDFX914W washing machine is not operating as intended, a simple solution can often be found in the **Troubleshooting** section of the instruction manual or online at **[www.argos-support.co.uk](http://www.argos-support.co.uk)**

If you still require further assistance, call one of our experts on **0345 257 7271\***. To help us give you a fast and efficient service please have the following information ready:

<b>Model Ref.</b>	<input type="text"/>	You can find these on the rating plate - a small information panel (usually a sticker or metal plate) on the rear of your appliance
<b>Serial number</b>	<input type="text"/>	
<b>Date of purchase</b>	<input type="text"/>	This will be shown on your receipt

Local call rates applies\*

## Lines open 8am-7pm Monday to Saturday and 10am-4pm Sunday.

\*Calls to Argos enquiry lines may attract a charge and set up fee from residential lines depending on your call plan/tariff. Mobile and other providers costs may vary, see [www.bt.com/pricing](http://www.bt.com/pricing) for details.

For security and training purposes, telephone calls to and from customer service centres may be recorded and monitored. Calls from Republic of Ireland will attract international call charges.

# BUSH

## Quick start guide

Washing Machine

WMDFX714W

WMDFX814W

WMDFX914W

WMDFX1014W



# 1 Unpacking

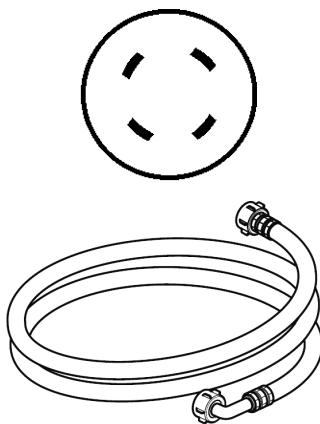
You'll soon be enjoying your new appliance

**This guide will help you get started, full details of your washing machine and its features can be found in the instruction manual.**

## Accessories

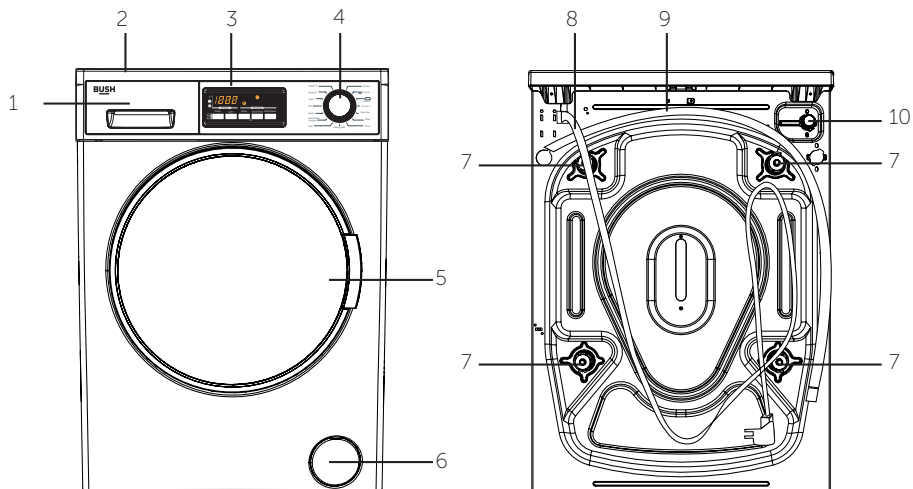
This machine includes the below accessories, please install these parts before operating.

- Plastic hole plug x 4
- Inlet hose



# 2 Installing your washing machine

Bringing it all together



## Front

1. Detergent drawer
2. Top panel
3. Electronic Display
4. Programme knob
5. Door
6. Filter

## Back

7. Packing bolt x 4
- \* Make sure to remove the transit bolts prior to first use.**
8. Power lead
  9. Drain hose
  10. Water inlet

# 2 Installing your washing machine

Bringing it all together

## Connections

### Electrical



Any electrical work that is required to install this washing machine **MUST** be carried out by a qualified electrician.

- Ensure the power socket is suitable for the maximum power of the washing machine (fuses in the power circuit must be 13 amp).
- The appliance must be connected to a 220-240 volt 50 cycle AC supply by means of a three pin socket, suitably earthed and protected by a 13 amp fuse.
- Should the fuse need to be replaced, a 13 amp fuse approved to BS1363/A must be used.

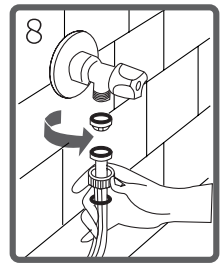
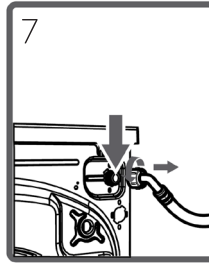
### Water



**Important:** This washing machine **MUST** only be connected to a cold water supply.

- a:** Connect the water inlet hose, the angled connection attaches to the water inlet on the back of the washing machine. (7)
- b:** The straight connection attaches to the water supply valve. (8)
- c:** Ensure all seals are in place before connecting.

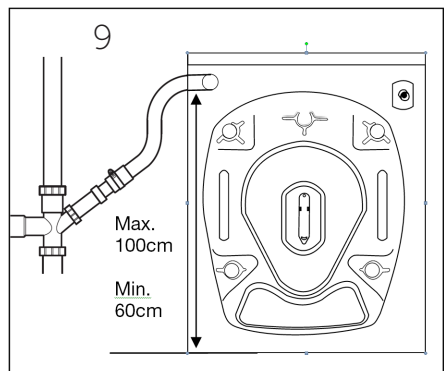
**Important:** Only tighten the hose connection nut by hand - do not overtighten.



**Important:** The height of the top of the curve in the drain hose **MUST** be between 60 - 100cm from the floor.(9)

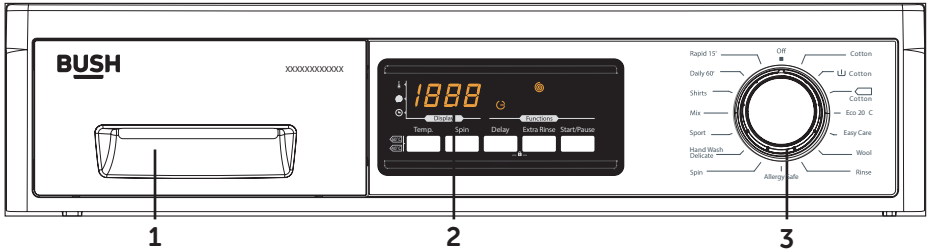
**Important:** The end of the water drain hose may be fitted directly to the waste water outlet hole or a special apparatus mounted on the outlet bracket of the wash-stand.

**Important:** Never attempt to extend the water drain hose by adding extra parts.

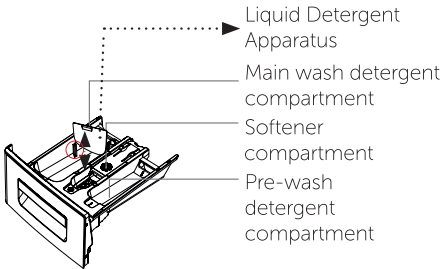


# 3 Using your washing machine for the first time

Let's get started



## 1- Detergent Drawer



## 2- Electronic Display

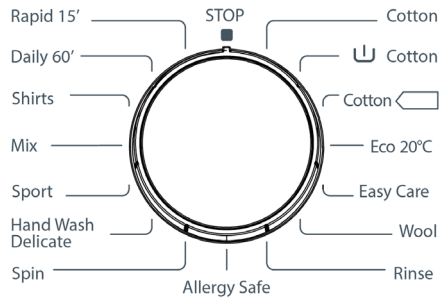
On the electronic display, you may view washing water temperature, spinning revolution speed of your machine, when your machine will finish washing, the auxiliary functions you have selected and at what stage the programme you have chosen is, ( → prewash/wash, → rinsing, → spinning).

**Note:** Refer to full instruction manual for description of fault codes.

Furthermore, the electronic display will warn you by means of fault symbols on the display when a fault occurs on your machine and notify you of the completion of the washing programme by showing "END" on the display as soon as the washing programme you have selected has finished.



## 3- Programme Knob



With the programme knob, you can select the programme with which you desire to wash your clothes. You can select programmes by turning the programme dial in both directions. You must be careful that the adjustment sign of the programme dial is exactly on the programme you want to select. If you move the programme dial to 0 (off) position, while your machine is running, your programme will be cancelled.

**Note:** If you want to activate an additional function after the machine has started washing, press the additional function button that you want to use. If the additional function selected can still be used at that programme stage, the LED of the function button will be turned on and the function will be added to the programme. If the LED is not turned on, the function selected is not possible at that stage of the current programme and will not be activated.