

LARGE TV UNIT

Assembly Instructions - Please keep for future reference

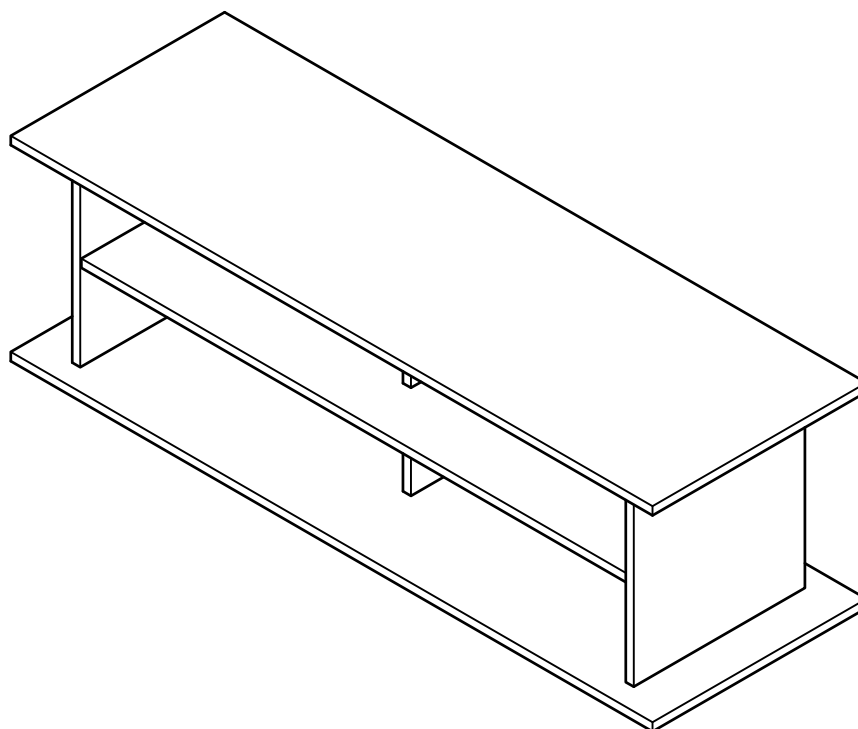
798/2578

752/8891

760/5367



BY ARGOS



Dimensions

Width - 120cm

Depth - 40cm

Height - 38cm

Important - Please read these instructions fully before starting assembly

If you need help or have damaged or missing parts, call the **Customer Helpline: 03456 400800**



Safety and Care Advice

Important - Please read these instructions fully before starting assembly

- Check you have all the components and tools listed on page 2 and 3.
- Remove all fittings from the plastic bags and separate them into their groups.
- Keep children and animals away from the work area, small parts could choke if swallowed.
- Make sure you have enough space to layout the parts before starting.

- Do not stand or put weight on the panels during assembly, this could cause damage.
- Assemble the item as close to its final position (in the same room) as possible.
- Assemble on a soft level surface to avoid damaging the unit or your floor.
- Parts of the assembly will be easier with 2 people.



- We do not recommend the use of power drill/driver **for inserting screws**, as this could damage the unit. Only use hand screwdrivers.
- Dispose of all packaging carefully and responsibly.

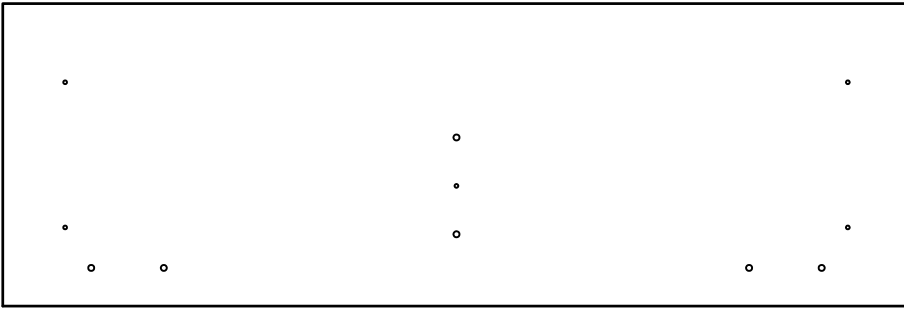
Care and maintenance

- Only clean using a damp cloth and mild detergent, do not use bleach or abrasive cleaners.
- From time to time check that there are no loose screws on this unit.
- This product should not be discarded with household waste. Take to your local authority waste disposal centre.

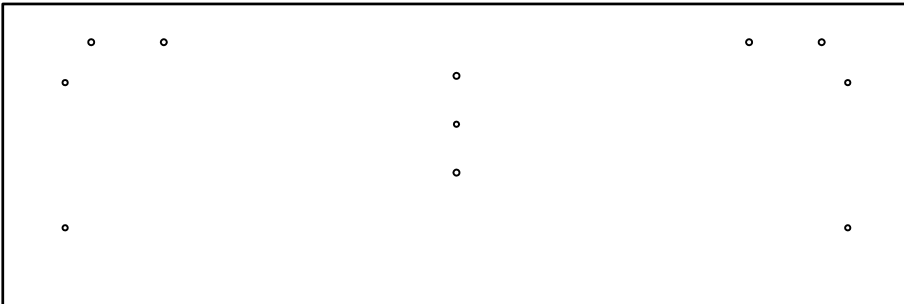
Note: If required the next page can be cut out and used as reference throughout the assembly. Keep this page with these instructions for future reference.

Components - Panels

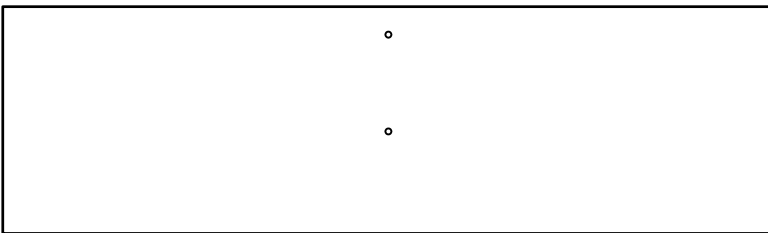
Please check you have all the panels listed below



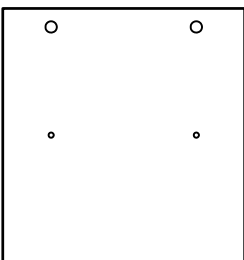
1 Table Top (120 x 40cm)



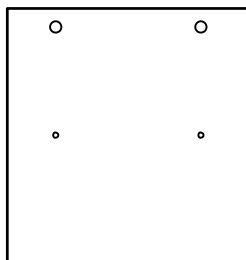
2 Bottom (120 x 40cm)



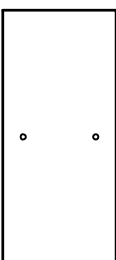
3 Shelf (102 x 30cm)



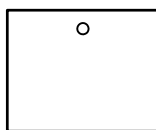
4 Left side (33.5 x 32cm)



5 Right side (33.5 x 32cm)



6 Back x 2 (33.5 x 15cm)



7 Up support (16 x 20cm)



8 Under support (16 x 20cm)

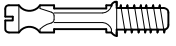

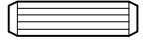
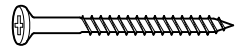

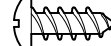
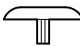
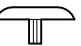



Components - Fittings

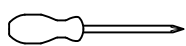
If you have damaged or missing components, call the **Customer Helpline: 03456 400800**

Please check you have all the fittings listed below

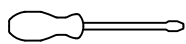
Note: The quantities below are the correct amount to complete the assembly. In some cases more fittings may be supplied than are required.

A  Locking pin x 5	B  Locking nut x 5	C  30mm Dowel x 12
D  57mm Screw x 13	E  Foot x 5	F  17mm Screw x 5
G  13mm Plastic plug x 4	H  16mm Plastic plug x 5	I  50mm Dowel x 2

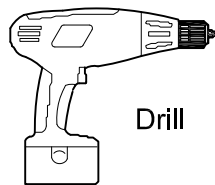
Tools required



Phillips screwdriver
(medium & large)



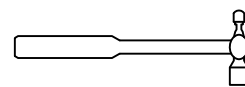
Flatblade screwdriver
(medium)



Drill



7mm Masonry drill bit
(for use with wall plug)



Small
hammer

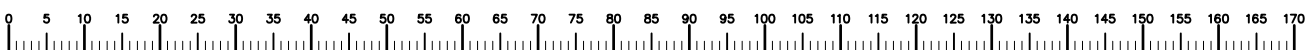


Ruler/tape
measure



Eye protection
(when using a
hammer or glue)

Ruler - Use this ruler to help correctly identify the screws



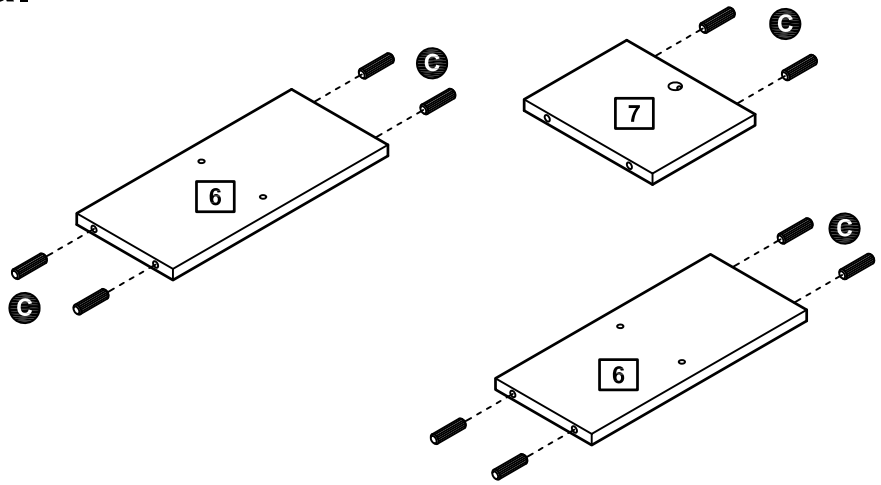
Assembly Instructions

Step 1

Fitting the shelf

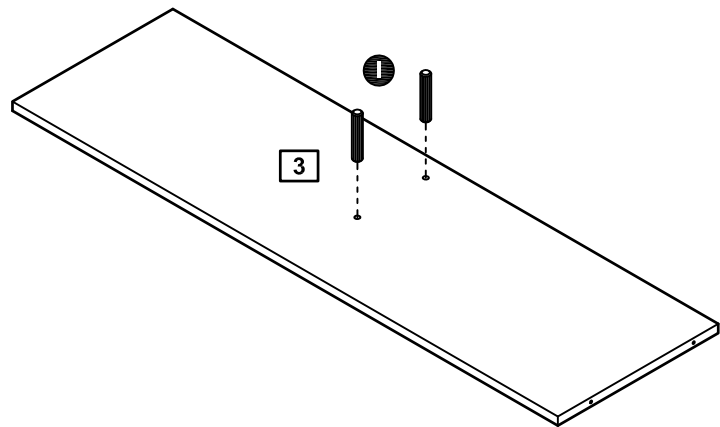
a: Insert dowels **C** into the panels **6** x2 and **7**.

a:



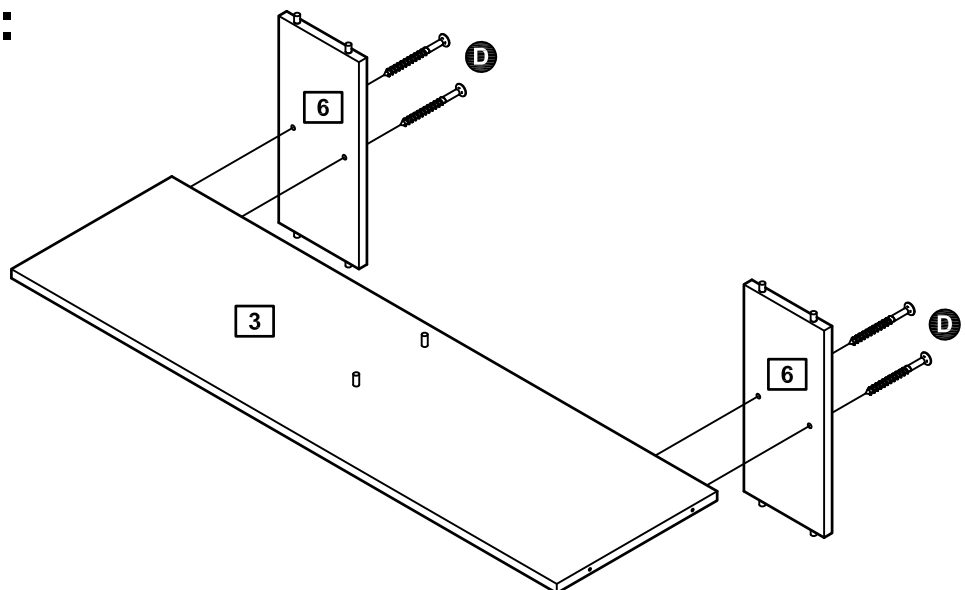
b: Insert dowels **I** into the panel **3**.

b:



c: Use screws **D** to fix back panels **6** onto shelf **3**.

c:

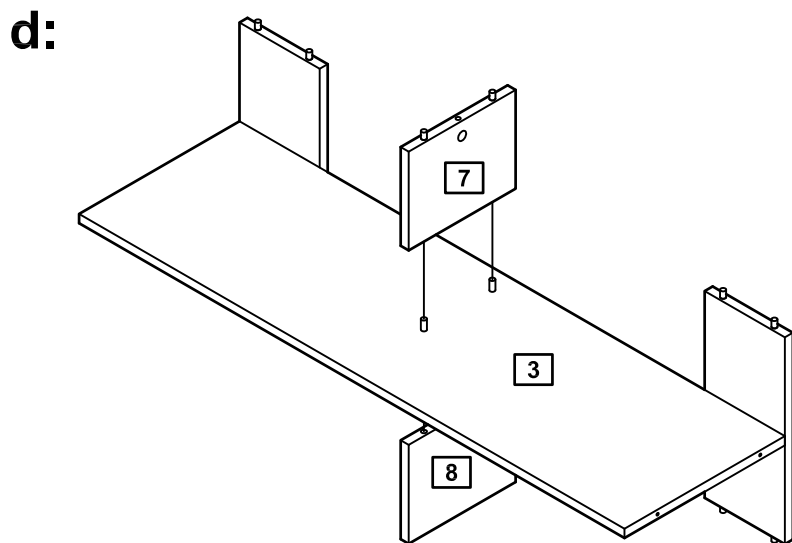


Assembly Instructions

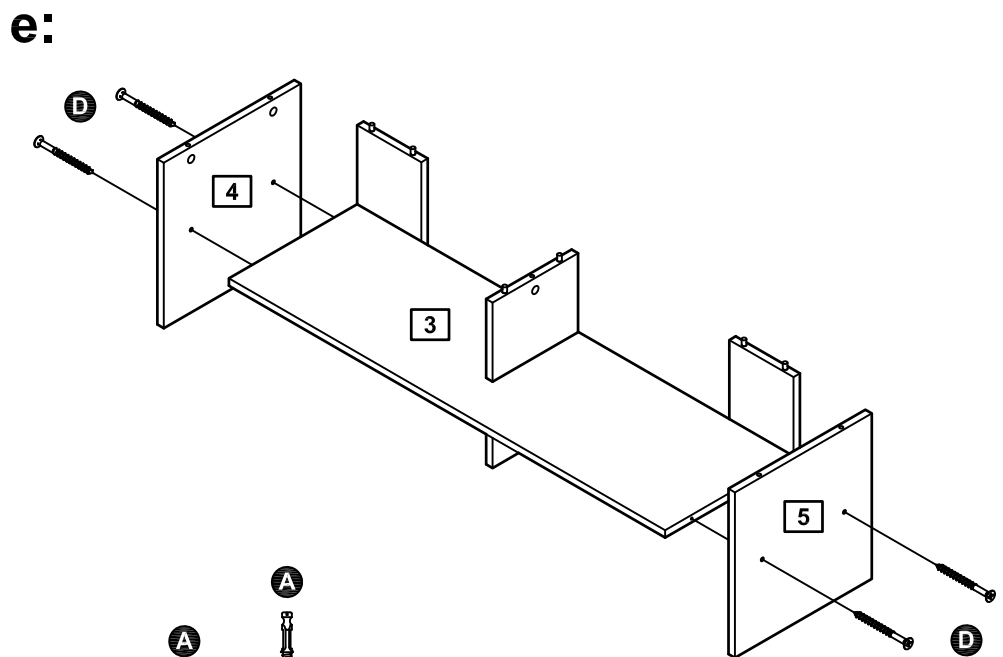
Step 1 - continued

Fitting middle part

d: Fit up support **7** and under support **8** into the unit.



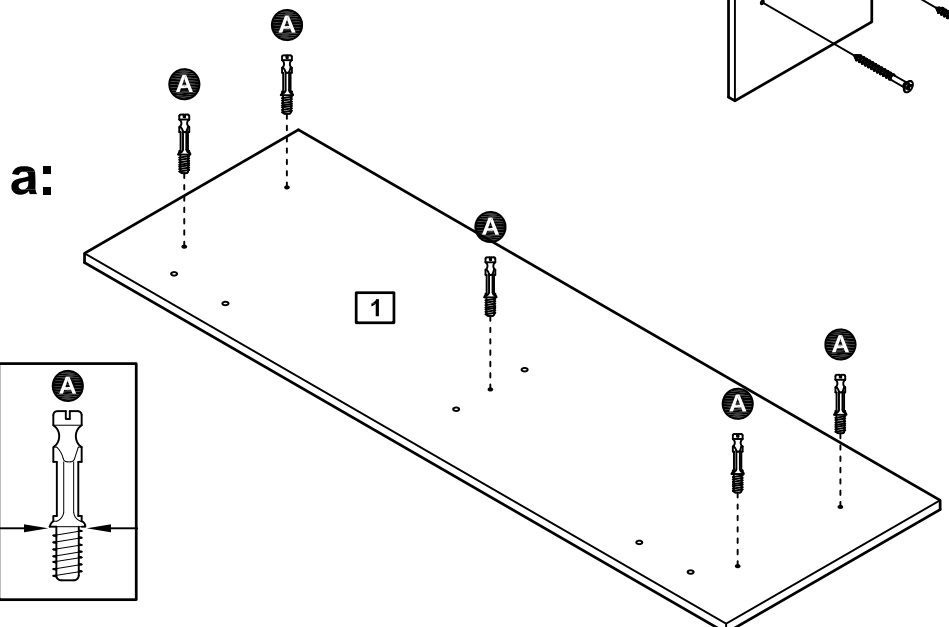
e: Use screws **D** to fix right panel **5** and left panel **4** onto the unit.



Step 2

Fitting the table top

a: Screw locking pins **A** into table top **1**. Insert locking pins as far as shown.

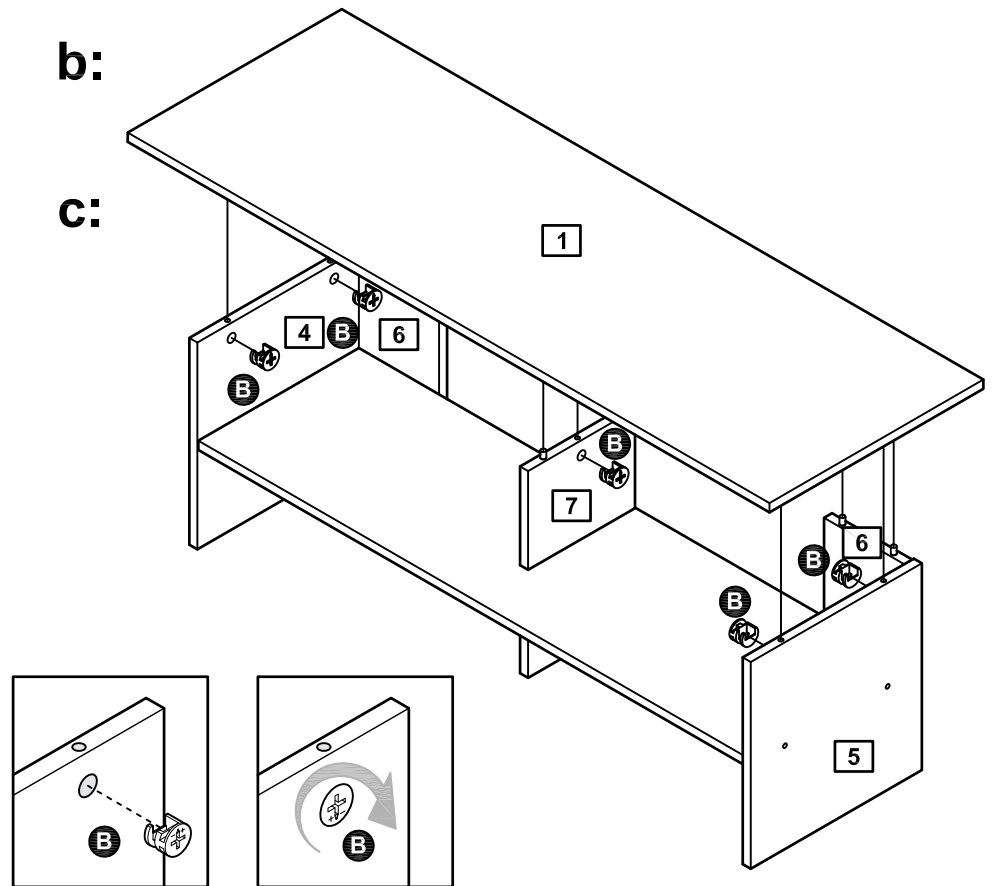


Assembly Instructions

Step 2 - continued

b: Attach table top **1** onto the unit.

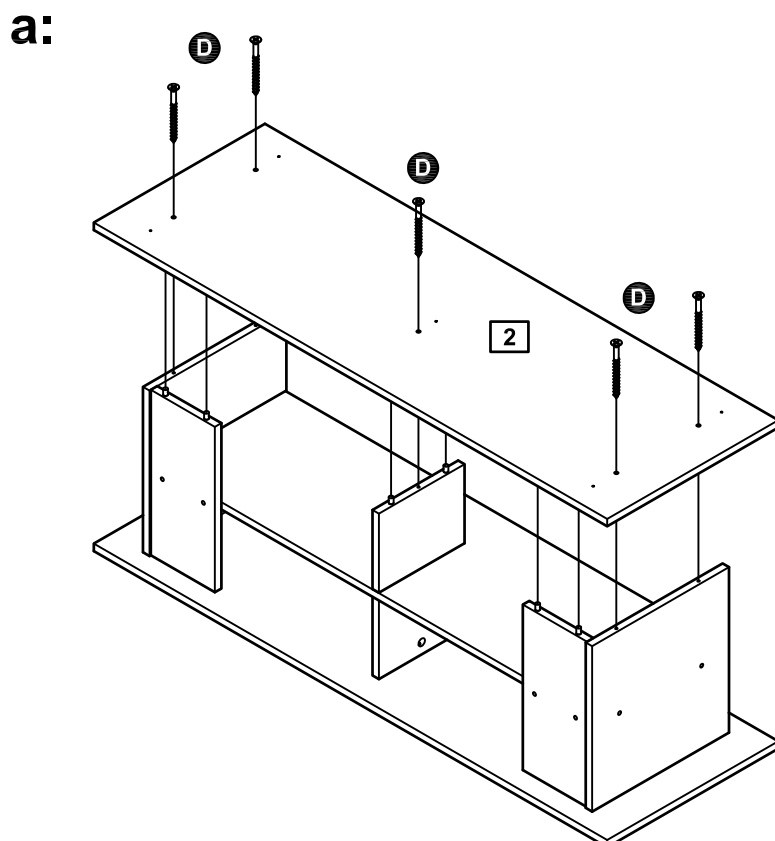
c: Insert locking nuts **B** into left side panel **4** and right side panel **5**, then use a screwdriver to turn locking nuts **B** clockwise to lock.



Step 3

Fitting the bottom panel

a: Use screws **D** to fix bottom panel **2** onto the unit.



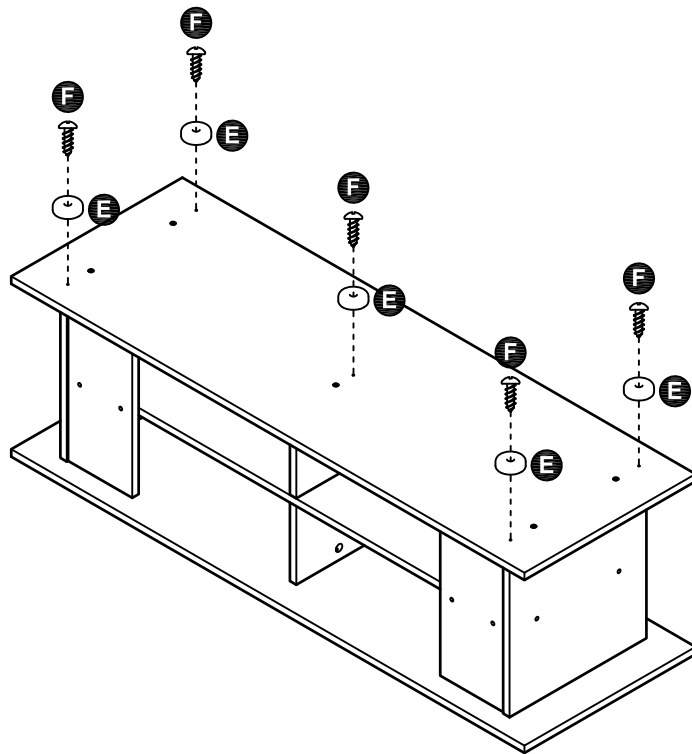
Assembly Instructions

Step 3 - continued

Fitting the feet

b: Use screws **F** to fix the feet **E** onto the unit.

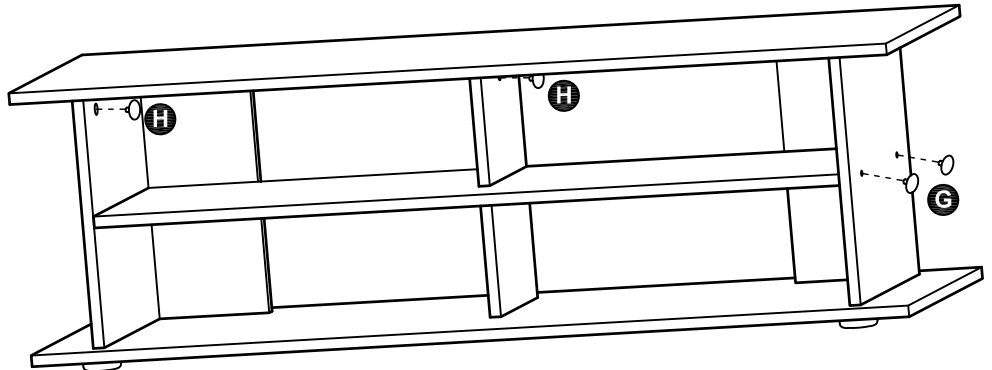
a:



Step 4

Finishing the unit

a: Use plastic plugs **G** and **H** to cover the screw heads.



Assembly is complete.

If you need help or have damaged or missing parts, call the **Customer Helpline: 03456 400800**