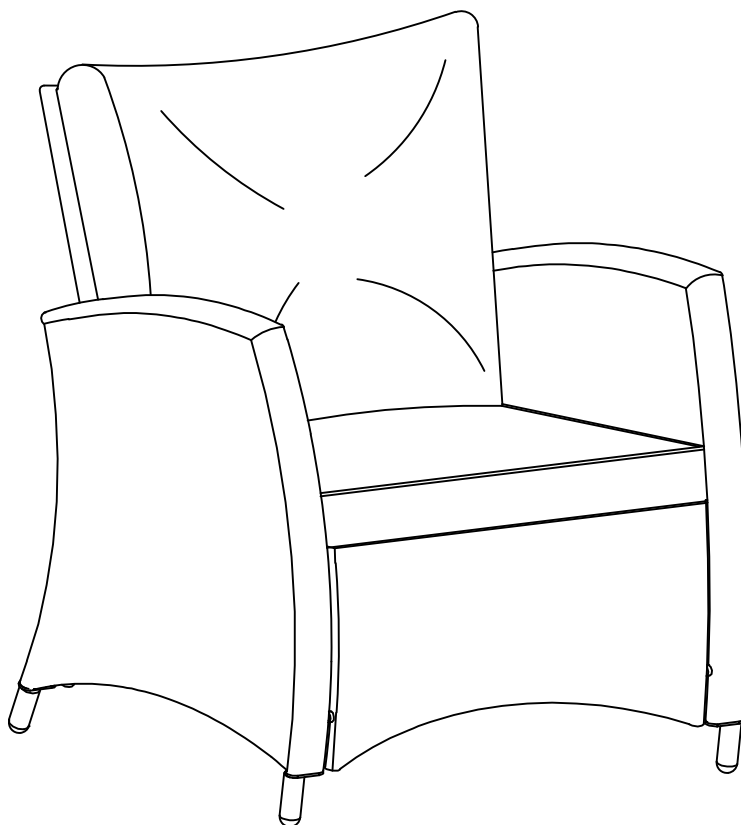


Rattan 6 Seater Storage Sofa Set - Chair

Assembly Instructions - Please keep for future reference

752/6965



Dimensions

Width - 65cm

Depth - 71cm

Height - 81cm



Important: Do not fully tighten all screws until assembly is complete.

Important – Please read these instructions fully before starting assembly

If you need help or have damaged or missing parts, call the

Customer Helpline: Argos = 0345 6400800

For further assistance please visit <http://www.argos-support.co.uk>

Address: 489-499 Avebury Boulevard Saxon Gate West, Central Milton Keynes Bucks, MK9, 2NW



Safety and Care Advice

Important – Please read these instructions fully before starting assembly

- Check you have all the components and tools listed on pages 2.
- Remove all fittings from the plastic bags and separate them into their groups.
- Keep children and animals away from the work area, small parts could choke if swallowed.
- Make sure you have enough space to layout the parts before starting.

- Do not stand or put weight on the product during assembly, this could cause damage.
- Assemble the item as close to its final position (in the same room) as possible.
- Assemble on a soft level surface to avoid damaging the chair or your floor.
- Parts of the assembly will be easier with 2 people.



- We do not recommend the use of power drill/drivers for inserting screws, as this could damage the unit. Only use hand screwdrivers.
- Dispose of all packaging carefully and responsibly.
- Maximum safe seated weight: 110kgs.

Care and maintenance

- Only clean using a damp cloth and mild detergent, do not use bleach or abrasive cleaners.
- From time to time check that there are no loose screws on this chair.
- This product should not be discarded with household waste. Take to your local authority waste disposal centre.
- Make sure each screw matches the corresponding figure to ensure correct assembly.
- Do not fully tighten all screws until assembly is complete.



Friendly Tips

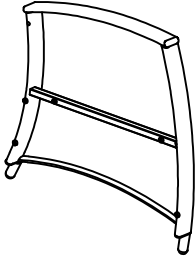
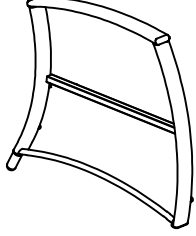
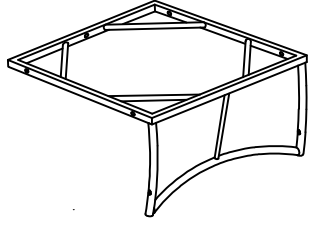
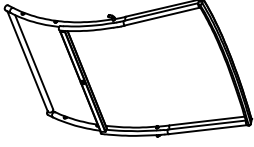

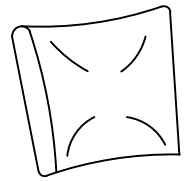
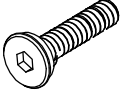
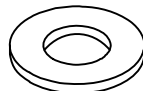

- Do not fully tighten all screws until assembly is complete.
- Make sure the assemble will be easier with 2 people.

Components - Parts & Fittings

If you have damaged or missing components, call the **Customer Helpline: Argos = 0345 6400800**

Please check you have all the parts & fittings listed below

Note: The quantities below are the correct amount to complete the assembly. In some cases more fittings may be supplied than are required.

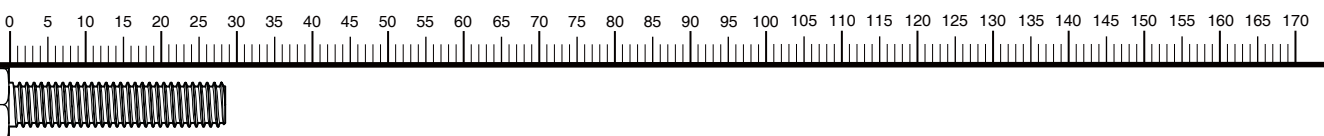
1  Left Armrest x 1	2  Right Armrest x 1	7  Seat x 1
8  Backrest x 1	9  Seat Cushion x 1	6  Back Cushion x 1
B  M6X35mm Screw x 11	E  Washer x 11	F  Screw Cap x 11

Tools provided



G Allen key x 1

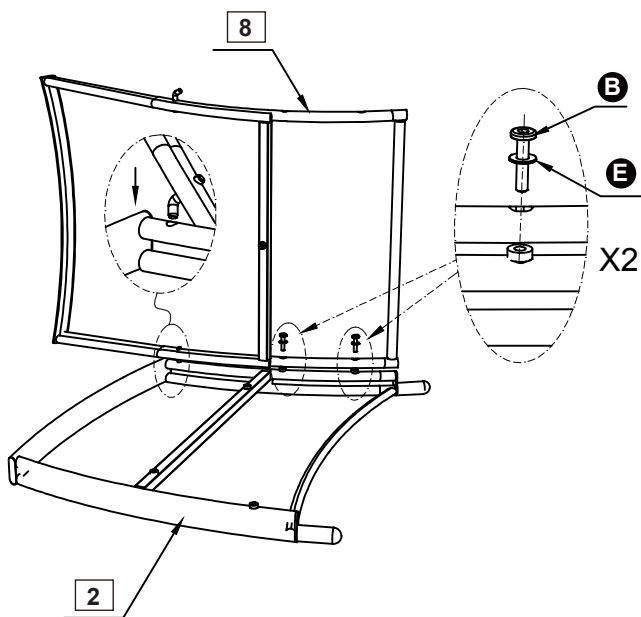
Ruler - Use this ruler to help correctly identify the screws



Assembly Instructions

Step 1

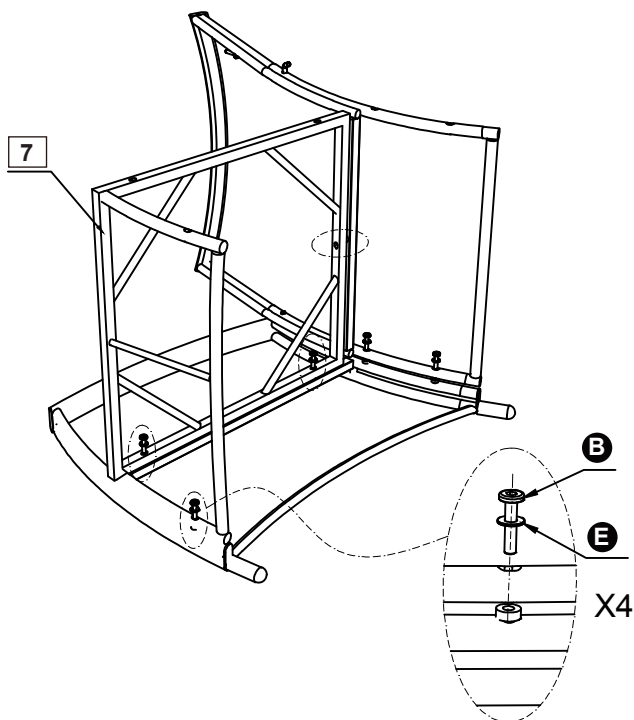
Use long screws **B** and washers **E** to fix the backrest **8** to right armrest **2**.



Important:
Do not fully tighten all screws until assembly is complete.

Step 2

Use long screws **B** and washers **E** to fix the seat **7** to the unit.

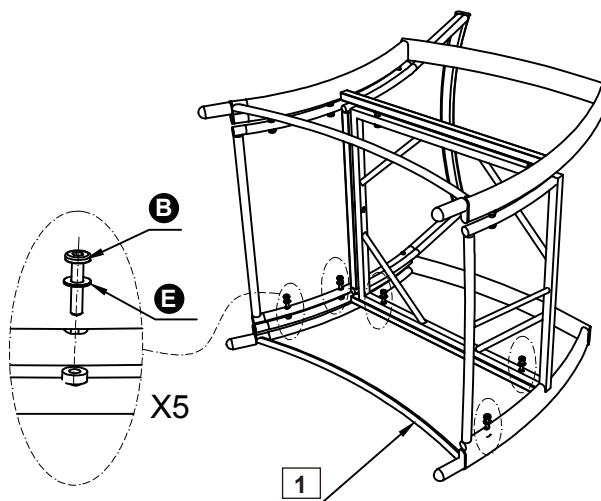


This product is for domestic use.

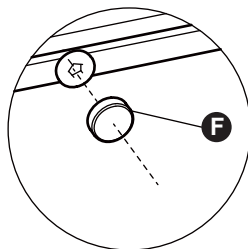
Assembly Instructions

Step 3

Use long screws **B** and washers **E** to fix the left armrest **1** to the unit.

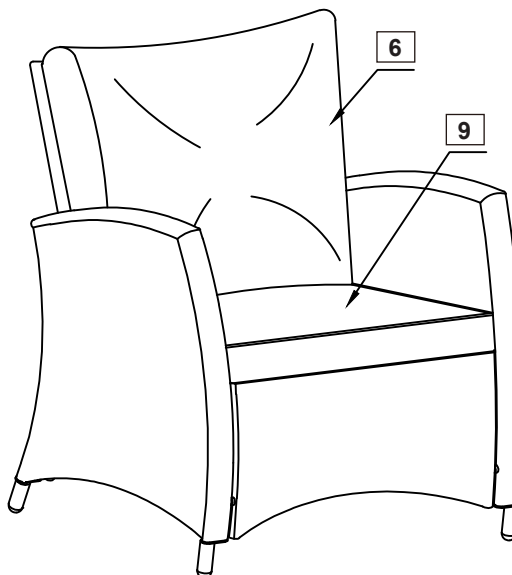


Tighten all the screws and cover all the screws with caps **F**.



Step 4

Put the seat cushion **9** and back cushion **6** onto the chair.



Assembly is complete

If you need help or have damaged or missing parts, call the

Customer Helpline: Argos = 0345 6400800

For further assistance please visit <http://www.argos-support.co.uk>

Address: 489-499 Avebury Boulevard Saxon Gate West, Central Milton Keynes Bucks, MK9, 2NW