



ORIGINAL INSTRUCTION MANUAL



McGregor 32OW Grass Trimmer

752591l (Model: GT255l)

Important - Please read these instructions fully before starting assembly

These instructions contain important information that will help you get the best from your mower, ensuring it is assembled correctly and safely. If you need help or have damaged or missing parts, call the Customer Helpline on **0345 605 2063**

**AFTER SALES SUPPORT
0345 605 2063**

Contents

Safety Information	3
Description Of Symbols	3
Operational Safety	7
Maintenance And Storage Safety	8
Intendend Use	9
In the Box	10
Parts	10
Assemble	11
Unpacking	11
Assembling the housing and handle	11
Fitting the Guard	11
Prepare	12
Edge	12
Connection to the power supply	12
Operate	13
Switching on/off	13
Trimming	13
Warning	14
Tips	14
Maintenance	15
Replacing the spool	15
Winding the line	15
Storage	16
Transportation	16
After use	16
Recycling and disposal	16
Technical Data	17
Technical Date Table	17
Part list	17
Troubleshooting	18
General Troubleshooting	18
Getting Help	19
Customer Helpline	19
Guarantee	19



Safety Information

Important - Please read these instructions fully before starting assembly

Description Of Symbols



The following warning symbols appear throughout this assembly manual and indicate the appropriate safety measures you should take when assembly and operating the grass trimmer.



Take extra care, beware of hazards.



Read instruction manual.



Warning - Wear eye protection.



Wear hearing protection. Wear breathing protection.



Use at a distance of at least 5m from other people.



Do not use the machine in the rain or leave it outdoors when it is raining.



Pay attention that bystanders are not injured by objects thrown out from the machine.



Sharp cutting device.



Noise level specification Lwa in dB.



Do not dispose of electrical equipment in domestic waste.



Safety Information

Important - Please read these instructions fully before starting assembly

Description Of Symbols (continued)

Important!

All operators must read these instructions before use.

Warning! Read all safety warnings and all instructions. Failure to follow all warnings, and instructions may result in electric shock, fire or serious injury. Save all warnings and instructions for future reference.

Work Area

- Keep work areas clean and well lit. Cluttered and dark areas invite accidents.
- Do not operate power tools in explosive atmospheres, such as in the presence of flammable liquids, gases, or dust. Power tools create sparks which may ignite the dust or fumes.
- Keep children and bystanders away while operating a power tool. Distractions can cause you to lose control.
- Stay alert, watch what you are doing and use common sense when operating a power tool. Do not use a power tool while you are tired or under the influence of drugs, alcohol, or medication. A moment of inattention while operating power tools may result in serious personal injury.
- Use safety equipment. Always wear eye protection. Safety equipment such as a dust mask, non-skid safety shoes, hard hat, or hearing protection used for appropriate conditions will reduce personal injuries.
- Avoid accidental starting. Ensure the switch is in the off-position before plugging in. Carrying power tools with your finger on the switch or plugging in power tools that



Safety Information

Important - Please read these instructions fully before starting assembly

Description Of Symbols (continued)

have the switch on invites accidents.

- Ensure you always have proper footing and balance. This will provide better control of the power tool in unexpected situations.
- Do not overreach. Keep proper footing and balance at all times. This enables better control of the power tool in unexpected situations.
- Dress properly. Do not wear loose clothing or jewellery. Keep your hair, clothing and gloves away from moving parts. Loose clothes, jewellery or long hair can be caught in moving parts.
- If devices are provided for the connection of collection facilities ensure that these are connected and properly used.
- Do not use the power tool for applications that are beyond its capacity. Use the correct power tool for your application. The correct power tool will do the job better and more safely at the rate for which it was designed.
- Do not use the power tool if the switch does not turn it ON and OFF. Any power tool that cannot be controlled with the switch is dangerous and must be repaired.
- Disconnect the plug from the power source before making any adjustments, changing accessories, or storing power tools. Such preventive safety measures reduce the risk of starting the power tool accidentally.
- Store the tool out of the reach of children. Do not allow people unfamiliar with the power tool or these instructions to operate the power tool. Power tools are dangerous in the hands of untrained users.



Safety Information

Important - Please read these instructions fully before starting assembly

Description Of Symbols (continued)

- Always maintain the power tool in good working order. Check for misalignment or binding of moving parts, breakage of parts, or other conditions that would affect its operation. If damaged, have the power tool repaired before use. Many accidents are caused by poorly maintained power tools.
- Keep cutting tools sharp and clean. Properly maintained cutting attachments with sharp cutting edges are less likely to bind and are easier to control.
- Only use the tool, accessories, and attachments as described in these instructions. Using the tool for operations it is not intended for could cause damage to the tool and hazardous situations. Always consider the working conditions and the work to be performed.
- Have the power tool serviced by a qualified repair personnel using only manufacturer's recommended replacement parts. This will ensure that the safety of the power tool is maintained.
- Always wear adequate protective clothing when operating the tool to avoid injuries to face, eyes, hands, feet, head or hearing. Use safety glasses or a face shield, high boots or sturdy shoes, long trousers, work gloves, a hard hat and hearing protection.
- When starting up and when the tool is in operation, keep the cutting section away from all parts of the body, especially the hands and feet.



Safety Information

Important - Please read these instructions fully before starting assembly

Operational Safety

- Do not expose the appliance to rain. Do not use the appliance in damp or wet conditions.
- Only use the appliance in daylight or good artificial light.
- Wear stout shoes or boots to protect your feet. Do not operate the appliance wearing open-toed sandals or when barefoot.
- Wear long trousers to protect your legs.
- Be sure that the appliance is switched off before connecting it to the mains supply.
- Stay alert at all times. Watch carefully what you are doing. Use common sense.
- Do not operate the appliance when you are tired.
- If the appliance begins to vibrate abnormally, switch it off and remove the plug from the socket. Allow rotating parts to stop and inspect the appliance for damage and loose parts.
- Never pull the cord to disconnect the plug from the socket. Keep the cord away from heat, oil and sharp edges.
- If the main cable becomes damaged during use. Switch the appliance off and disconnect the plug from the mains immediately. Do not touch the main cable before disconnecting from the mains.
- Do not allow children or any person unfamiliar with these instructions to operate the appliance.
- Do not allow children, bystanders or animals to come near the work area or to touch the appliance or mains cable.



Safety Information

Important - Please read these instructions fully before starting assembly

Operational Safety (continued)

- Remember that the operator maybe held responsible for the accidents or hazards occurring to other people or their property.

Maintenance And Storage Safety

- Switch off, remove the plug from the socket and ensure that moving parts have stopped rotating before leaving the appliance unattended and before changing, cleaning or inspecting any parts of the appliance.
- When not in use, the appliance should be stored in a dry place. Children should not have access to stored appliances.
- Before use, check the appliance for damaged or defective parts. Check for misalignment and seizure of moving part, broken parts, damage to guards and switches or any other conditions that may affect its operation.
- Do not use the appliance if any part is damaged or defective. Do not use the appliance if the switch does not turn it on and off.
- Never use the appliance when any guard or housing element is damaged or not in place.
- Ensure that the appliance will operate properly and perform its intended function.
- Have any damaged or defective parts repaired or replaced an authorized repair agent.
- Before use, check the mains cable for signs of damage, ageing or wear.



Safety Information

Important - Please read these instructions fully before starting assembly

Maintenance And Storage Safety (continued)

- Do not use the appliance if the mains cable is damaged or defective.
- If the mains cable is damaged or defective it must immediately be repaired by an authorised repair agent to avoid any further hazard.
- Never attempt to remove or replace any parts other than those specified in this manual.

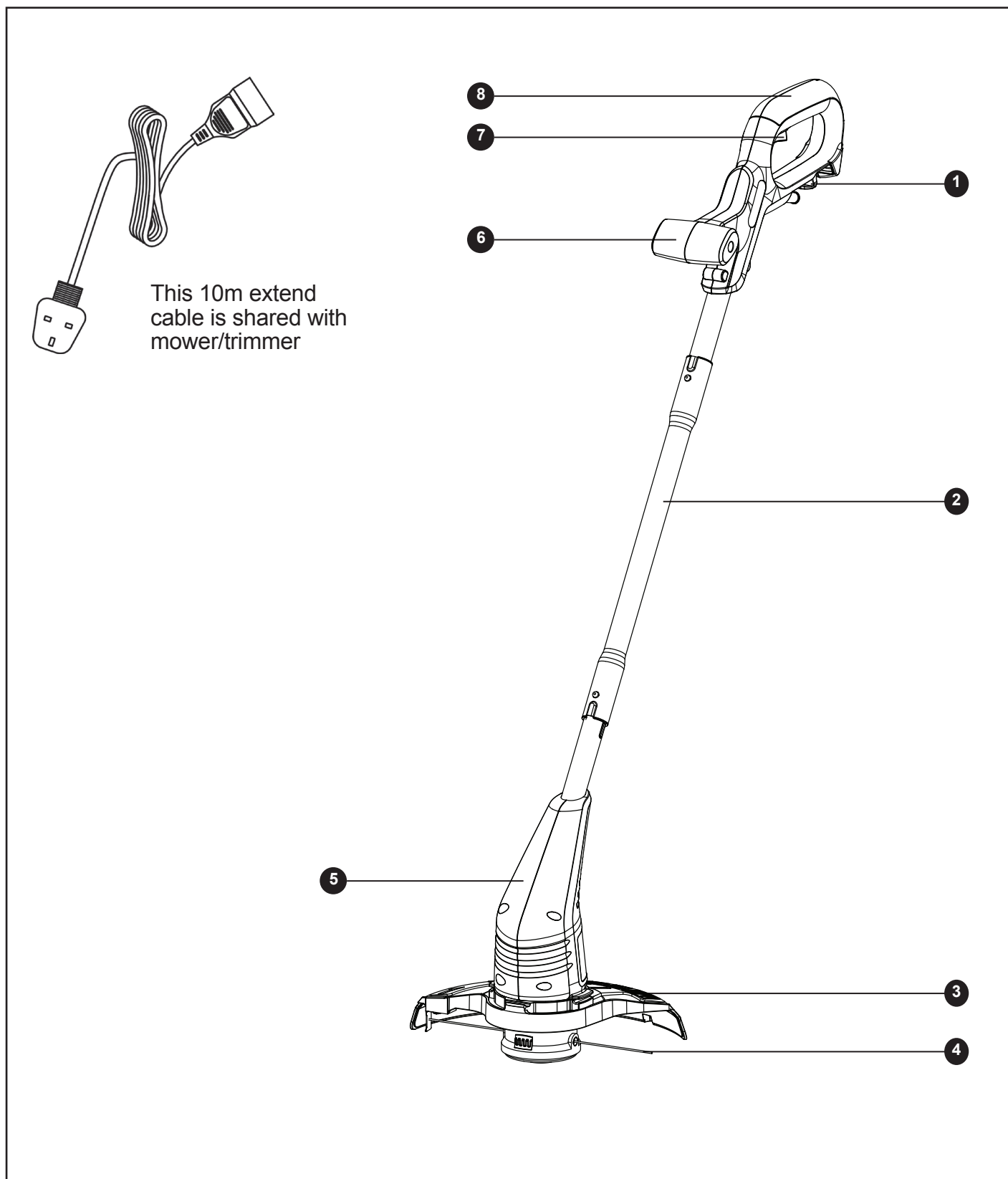
Intendend Use

- This grass trimmer is designed for domestic use only: to trim grass, lawn edges and light foliage.
- This machine is not designed for heavy duty or commercial use.
- Any use of the machine that deviates from its intended use and is not included in these instructions is considered unauthorized use and relieves the manufacturer from his or her legal liability.

In the Box

Parts

- | | | | |
|-----------------------|----------------|--------------------|-----------------|
| 1 Cable strain-relief | 3 Safety Guard | 5 Motor Housing | 7 ON/OFF switch |
| 2 Shaft | 4 Cutting line | 6 Auxiliary handle | 8 Main handle |

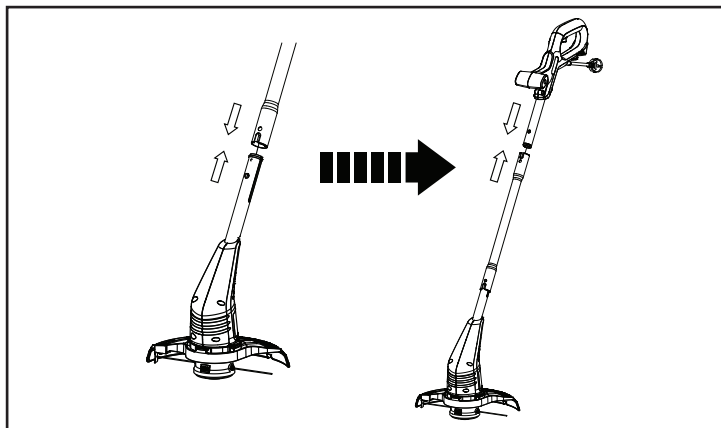


Assemble

Unpacking

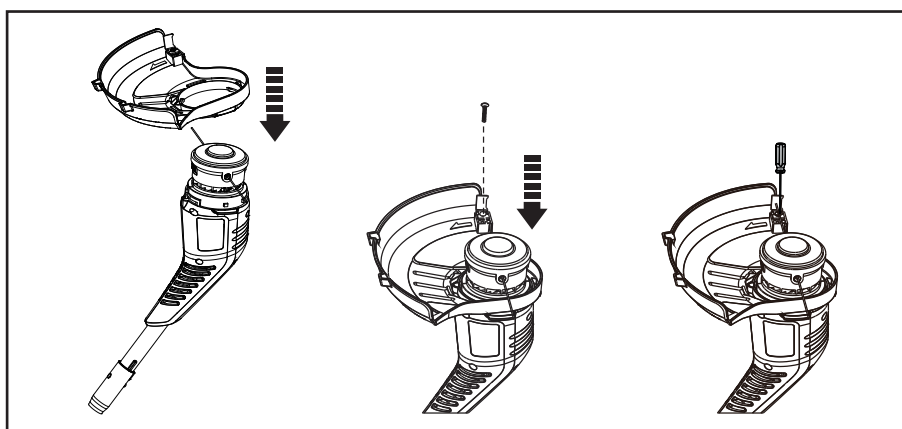
- Unpack all parts and lay them on a flat, stable surface.
- Remove all packing materials and shipping devices if applicable.
- Make sure the delivery contents are complete and free of any damage. If you find that parts are missing or show damage do not use the product but contact the aftersales helpline within 28 days of purchase. Using an incomplete or damaged product represents a hazard to people and property.
- Ensure that you have all the accessories and tools needed for assembly and operation. This also includes suitable personal protective equipment.

Assembling the housing and handle



- Assemble the housing into the handle and fully engaged.

Fitting the Guard



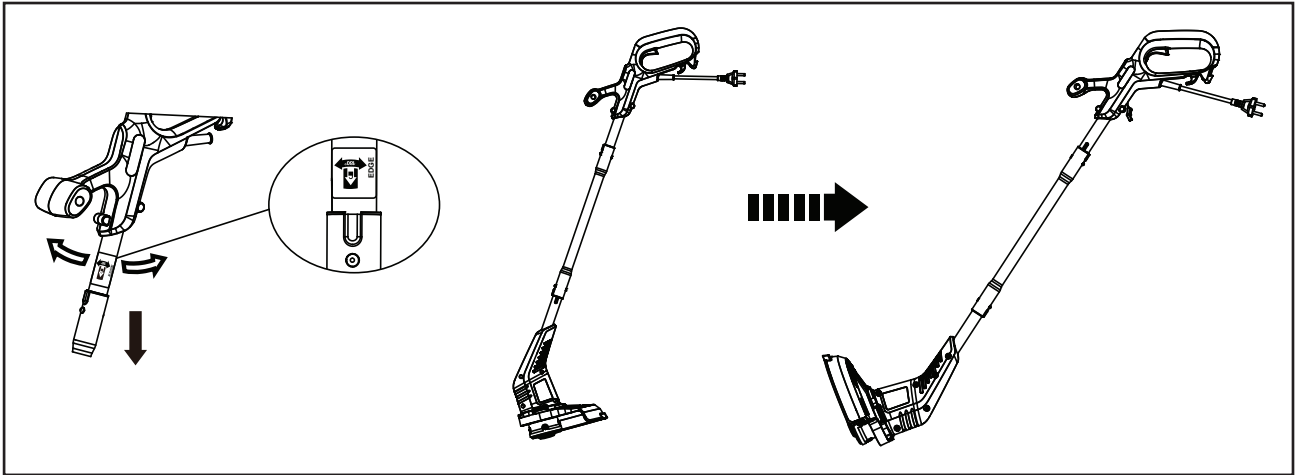
- Place the guard onto the tool as shown, secure the guard with screws.



Warning! Never use the tool unless the guard is properly fitted.

Prepare

Edge

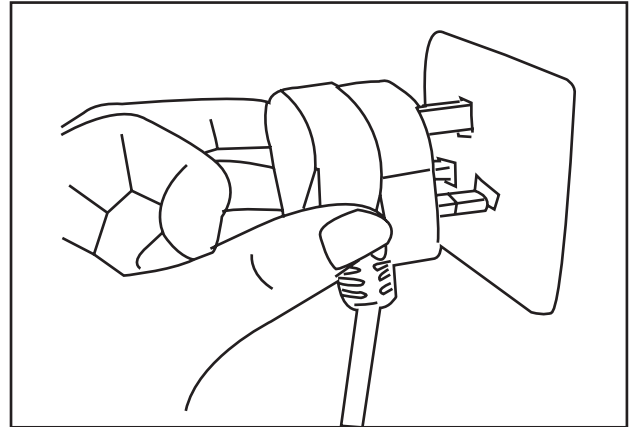
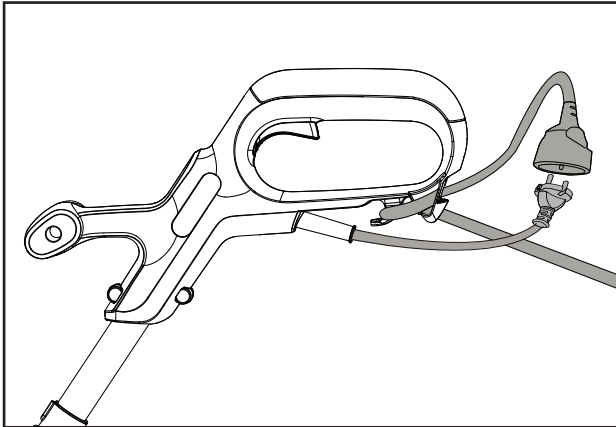


- Push the shaft forward, turn the handle to 180°, when trimming near edges and walls.



Warning! Always ensure the handle is locked in a secure. Only adjust to indicated angle!
Never adjust to an intermediate position.

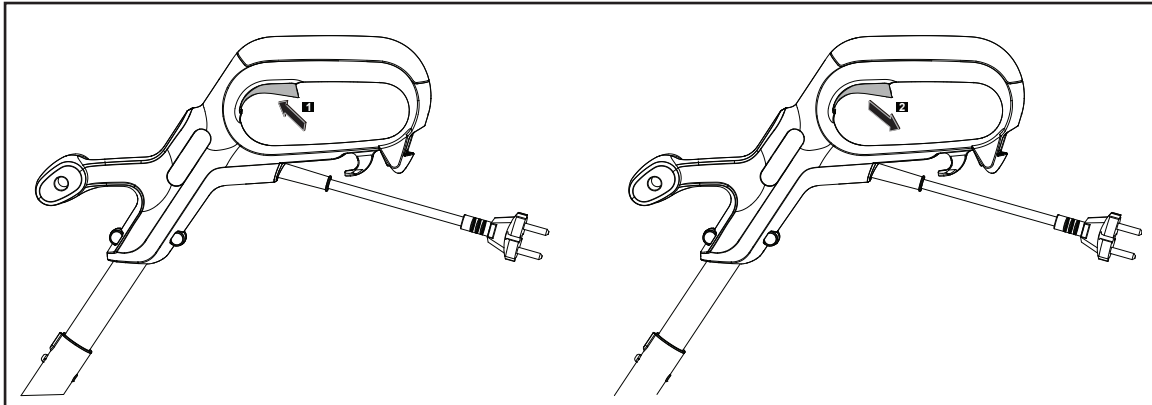
Connection to the power supply



- Hook the mains cable through the cable strain-release.
- Connect the plug to the main socket.

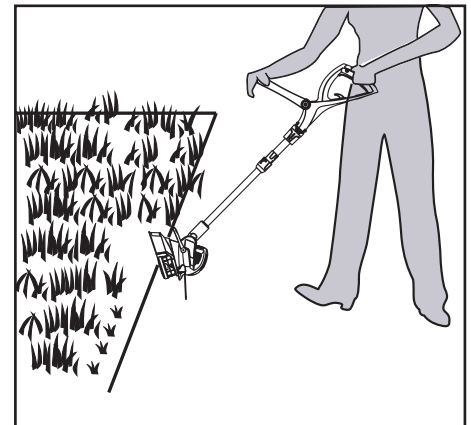
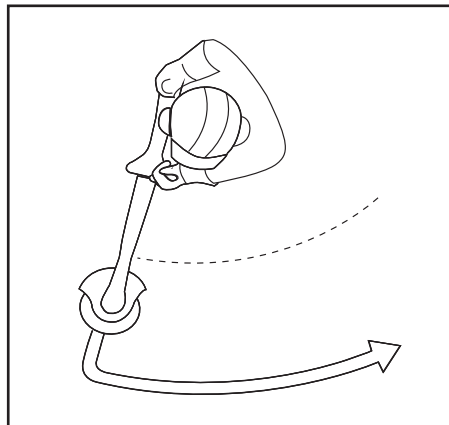
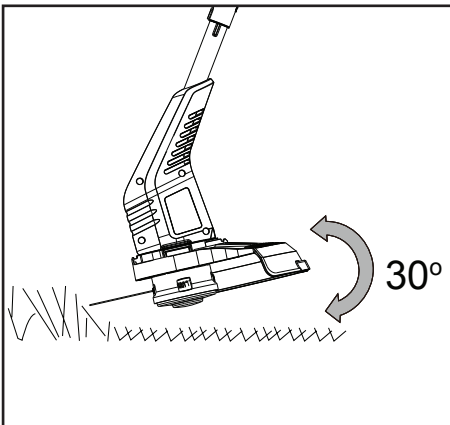
Operate

Switching on/off



- To Switch on, Press the on/off switch the lawn trimmer(1).
- To Switch off, release the switch(2).

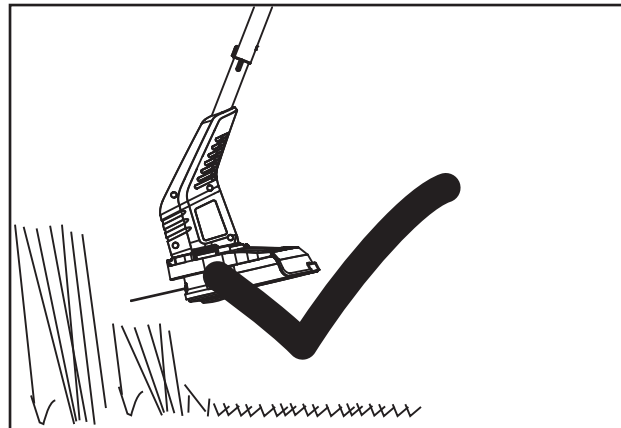
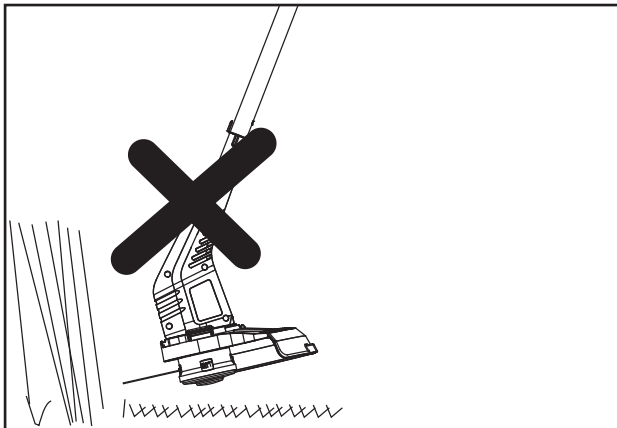
Trimming



- Ensure the knife protector label is removed before use. Ensure you wear gloves when removing this label.
- Adjust the trimmer head angle to a proper position for trimming operation.
- Hold the grass trimmer firmly, keeping your balance with feet slightly apart. Alter the height of the product if needed to ensure an upright posture.
- Hold the trimmer head just above the ground at an angle of approximately 30°.
- Move the product slowly from side to side in a swinging motion.
- Ensure the cutting device remains clean and free from off-cuts that may cause it to jam. Check regularly. Release the on/off switch and disconnect the plug before checking.
- Trim longer grass in stages; do not cut long grass in one cut. For the best results, cut longer grass in steps.
- Place the trimmer along the edge of the lawn.
- Turn product on and push the trimmer forward slowly.

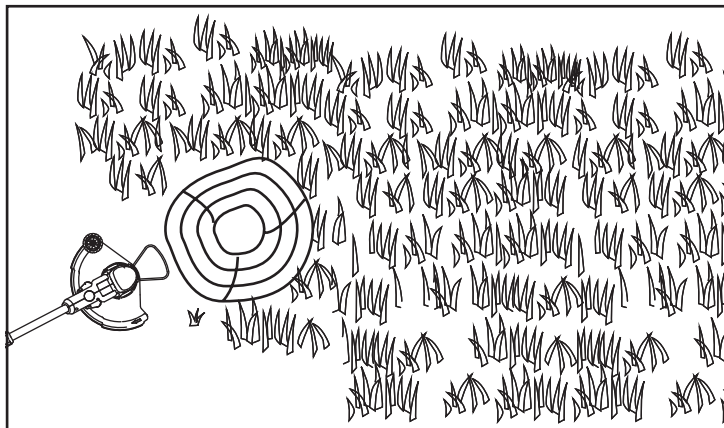
Operate

Warning!



- Always fit the guard before using the product
- When cutting longer /high grass, please make sure that you cut this down in 2 to 3 stages.
- DO NOT cut long grass in one cut, as this will damage your grass trimmer, and make your warranty invalid.

Tips



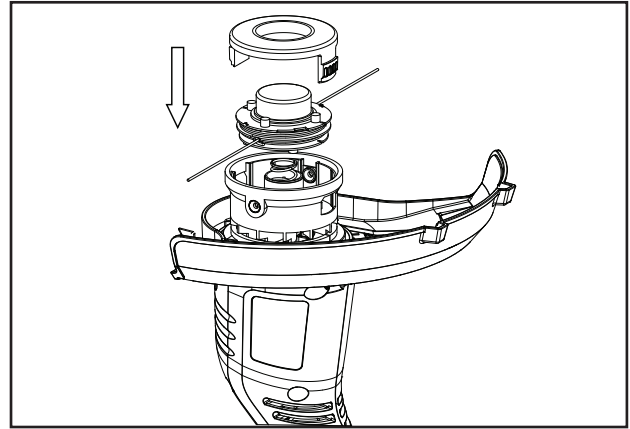
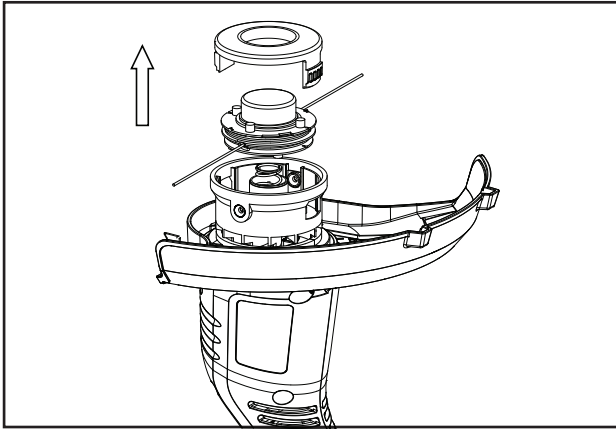
- For best results, do not cut wet grass because it tends to stick to the cutting head and guard, prevents proper discharge of grass trimmings, and could cause you to slip and fall.
- Do not allow the spool cover to drag on the ground or other surfaces.
- Pay special attention when performing the work close to trees and bushes. The cutting head could damage sensitive bark, and damage fence posts.
- Fold the plant protector out to avoid bringing the cutting device into contact with hard objects such as walls and curbstones.

NOTE: The trimming line will wear faster and require more feeding if the cutting or edging is done along sidewalks or other abrasive surfaces or heavier weeds are being cut.

Maintenance

This product does not contain any parts that can be repaired by the consumer. Contact an authorised service centre or a similarly qualified person to have it checked and repaired.

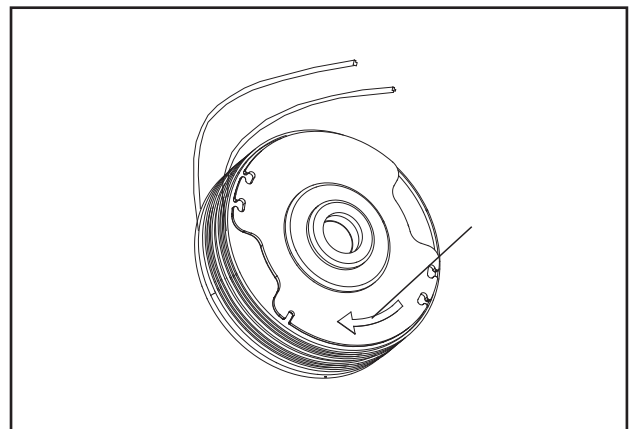
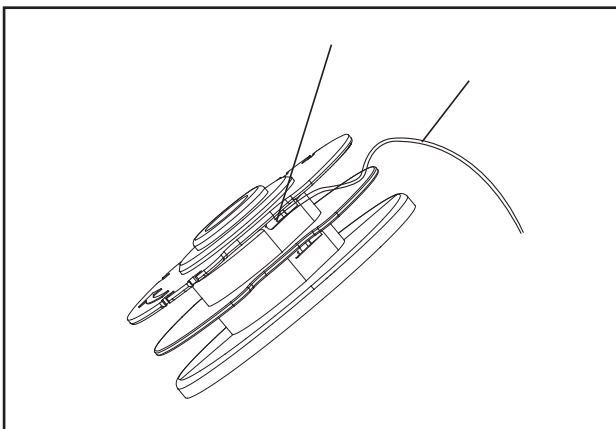
Replacing the spool



NOTE: Before replace the spool, make sure the mains plug is disconnected from the unit.

- Press together both locking device tabs on the spool cover and remove the cover.
- Remove the old spool from the spool cover.
- Clean out any dirt or grass residue.
- Put the new spool in the spool housing, thread the line into the hole.

Winding the line



NOTE: Should you wish to wind the line yourself, the instructions are provided below:

Self-winding, however, is NOT recommended because if the line is not wound properly it can cause the trimmer's feed system to malfunction. For this reason, users are strongly urged to purchase the pre-wound spool.

- Hold the loose ends of the line together with one hand, insert one end of the line into the groove on the spool.
- Wind the line following the directional arrows on the spool housing and hook the two ends into the side grooves.

Maintenance

Storage

- Store the product and its accessories in a dry, frost-free place.
- Always store the product in a place that is inaccessible to children. The ideal storage temperature is between 10°C and 30°C.

Transportation

- Switch the product off and disconnect the plug before transporting it anywhere.
- Protect the product against scratching and secure it to avoid damage from impact.

After use

- Switch the product off, take off the plug and let it cool down.
- Check, clean and store the product as described below.

Recycling and disposal



- The product comes in a package that protects it against damage during shipping. Keep the packaging until you are sure that all parts have been delivered and the product is functioning properly. Recycle the packaging afterwards.
- Old products are potentially recyclable and do not, therefore, belong in your household rubbish. You are requested to assist us and our contribution to saving resources and protecting the environment by handing in this product at an equipped collection centre (if there is one available).

Technical Date

Technical Date Table

Model	GT2551
Rated Voltage	220-240V~50Hz
Rated Power	320W
Motor speed	12000/min
Cutting width	25cm
Cutting line dia.	1.5mm
LpA sound pressure level	83.2 dB(A), K=3 dB(A)
LWA sound power level	96 dB(A)
Vibration at the handlebars ahv	4.3m/s ² K=2.2m/s ²
Net weight	1.6kgs
Insulation class	□ II

Part List

PART NUMBER	ACCESSORIES
121001110	Spool

Troubleshooting

General Troubleshooting

Suspected malfunctions are often due to causes that the user can fix themselves. Therefore, check the product using this section. In most cases the problem can be solved quickly.



WARNING!

Only perform the steps described within these instructions! All further inspection, maintenance and repair work must be performed by an authorised service centre or a similarly qualified specialist if you cannot solve the problem yourself!

Gloves and appropriate protective clothing must be worn when performing these instructions. When inspecting the line always take off the plug .

Problem	Possible Cause	Solution
Product does not start	Not connected to power supply	Connect to power supply
	Power cord or plug is defective	Check by a specialist electrician
	Other electrical defect to the product	Check by a specialist electrician
Product does not reach full power	Extension cord not suitable for operation with this product	Use a proper extension cord
	Power source (e.g.generator) has too low voltage	Connect to another power source
	Air vents are blocked	Clean the air vents
Unsatisfactory cutting performance	Cutting device worn or empty	Replace cutting device

Getting Help

Customer Helpline

Our dedicated UK based customer helpline is open to assist you with assembly, parts queries and technical support. We are open during office hours.

Our experts are here to get you back enjoying your garden in no time.

Calling our service does not affect your statutory rights.

After sales helpline number: 0345 605 2063

Guarantee

Dear Customer,

In the unlikely event that your device develops a fault, please contact our Customer service department on the telephone number shown below.

1. These guarantee terms cover additional guarantee rights and do not affect your statutory warranty rights. Claims must be accompanied by Proof of Purchase. This must be in the form of a Sales receipt or Bank statement and must show that the product has been purchased within 2 years prior to the claim, from the retailer that it was originally sold to.
2. Our guarantee covers problems caused by material or manufacturing defects, and will result in the repair of these defects or replacement of the device with a like for like or similar article. Please note that our devices have not been designed for use in commercial, trade or industrial applications. Consequently, the guarantee is invalidated if the equipment is used in commercial, trade or industrial applications or for other equivalent activities.
3. The following are also excluded from our guarantee:
 - A. Faults due to accidents, customer misuse or unauthorized repairs
 - B. Failure due to lack of routine maintenance.
 - C. Failure as a result of not using the equipment in accordance with the manual and safety instructions.
4. The guarantee is valid for a period of 2 years starting from the purchase date of the device. Guarantee claims should be submitted before the end of the guarantee period within two weeks of the defect being noticed. No guarantee claims will be accepted after the end of the guarantee period. The original guarantee period remains applicable to the device even if repairs are carried out or parts are replaced. In such cases, the work performed or parts fitted will not result in an extension of the guarantee period, and no new guarantee will become active for the work performed or parts fitted. This also applies when an on-site Service is used.
5. Please keep your sales receipt in a safe place.