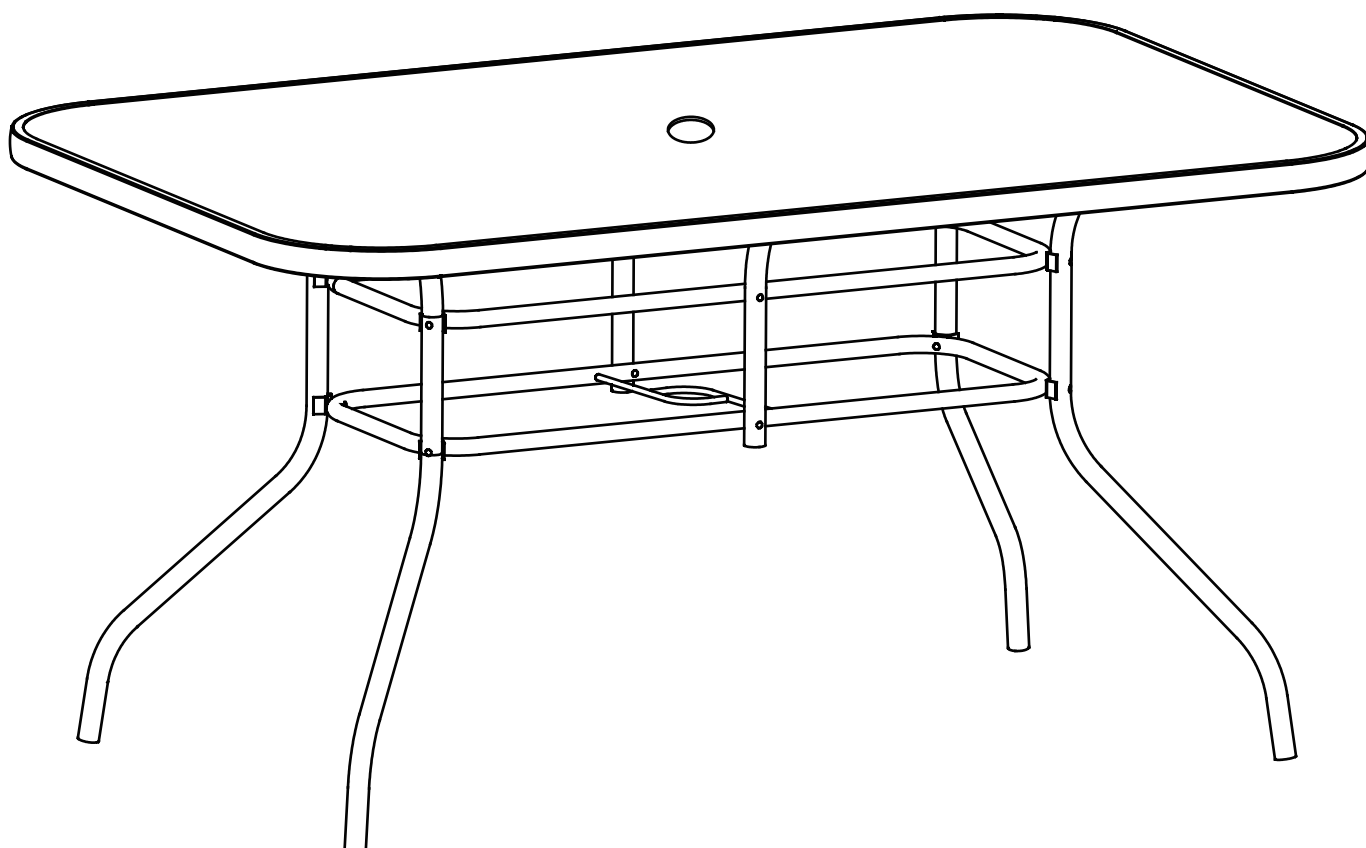


# Sicily 6 Seater Patio Set

Assembly Instructions - Please keep for future reference

750/7331



## Dimensions

Width - 135cm  
Depth - 84cm  
Height - 71cm

**Important** - Read these instructions fully before starting assembly

If you need help or have damaged or missing parts, call the Customer Helpline:03456400800  
For further assistance please visit <http://www.argos-support.co.uk/>



# Safety and Care Advice

## Important - Read these instructions fully before starting assembly

- This product is manufactured from toughened safety glass. In the unlikely event that the glass fails it will break in to a large number of small fragments that may be spread over a wide area. This is a feature of toughened glass, designed to remove the risk of Injury from glass breaking into large shards.
- If the glass is chipped or broken, stop using the product and consult the manufacturer or supplier.
- Check you have all the components and tools listed on page 2.
- Remove all fittings from the plastic bags and separate them into their groups.
- Keep children and animals away from the work area, small parts could choke if swallowed.
- Make sure you have enough space to layout the parts before starting.
- Do not stand or put weight on the components during assembly, this could cause damage.
- Assemble on a soft level surface to avoid damaging the unit or your floor.
- Parts of the assembly will be easier with 2 people.
- Dispose of all packaging carefully and responsibly.
- Do not sit or stand on this table.
- Do not place very hot or very cold items on the glass.
- Warning: The unit weighs approximately 22.5 kgs. Please lift with care.

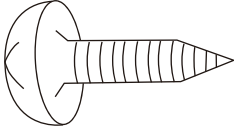
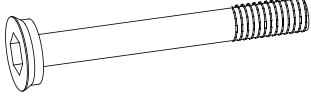
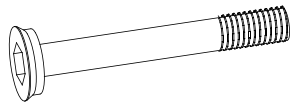

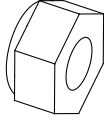
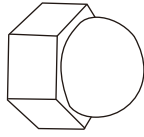
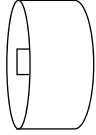
## Care and maintenance

- Wash frame parts with mild soap and water, rinse thoroughly, and dry completely. Do not use bleach, acid, or other solvents on the frame parts.
- Wash glass with mild soap and water, rinse thoroughly, and dry completely.
- Do not use washing powders or any abrasive substances which may scratch the surface.
- When moving the table, remove the umbrella and lift. Do not drag this table.
- We recommend the use of furniture covers when not in use.
- Do not use the glass as chopping surface. Do not strike the glass with hard or pointed items.
- In order to prolong the life and beauty of your table, we recommend that it be stored in a dry and protected area when not in use.

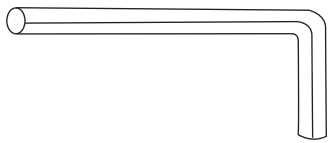
# Components - Fittings

Please check you have all the fittings listed below

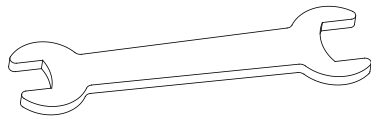
**Note:** The quantities below are the correct amount to complete the assembly.

<p><b>A</b></p>  <p>ST4.2 x 15 Screw x 6</p>	<p><b>B</b></p>  <p>M6 x 55mm Bolt x 8</p>	<p><b>C</b></p>  <p>M6 x 52mm Bolt x 4</p>
<p><b>D</b></p>  <p>D13 Washer x 24</p>	<p><b>E</b></p>  <p>M6 Metal Nut x 12</p>	<p><b>F</b></p>  <p>M6 x P1.0 Plastic Nut x 12</p>
<p><b>G</b></p>  <p>M6 Bolt Cap x 12</p>		

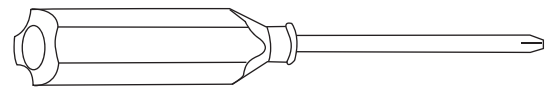
## Tools required



4mm Hex Key



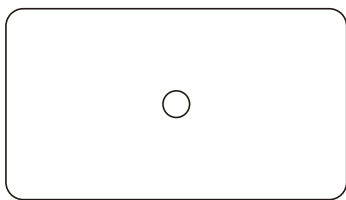
10 mm Nut Wrench



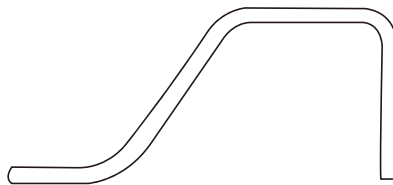
Screwdriver (Not Provided)

# Components - Parts

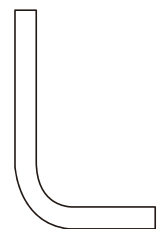
Please check you have all the parts listed below



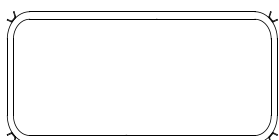
**1** Table Top x 1



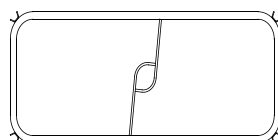
**2** Leg x 4



**3** Support x 2



**4** Center Connector x 1



**5** Center Connector With Ring x 1

# Assembly Instructions

## Step 1

Place the table top **1** onto a non-abrasive surface, such as a carpet, with its underside facing upwards. Insert the legs **2** and the supports **3** into the plastic holders on the underside of the table top **1** rim.



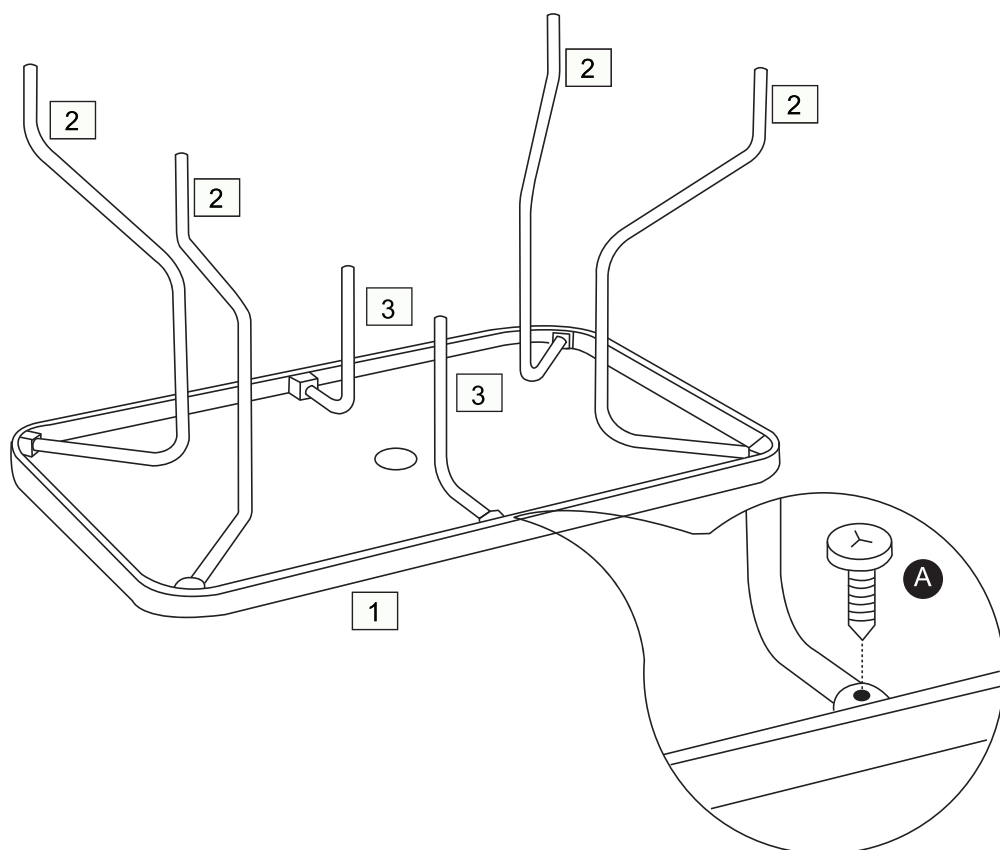
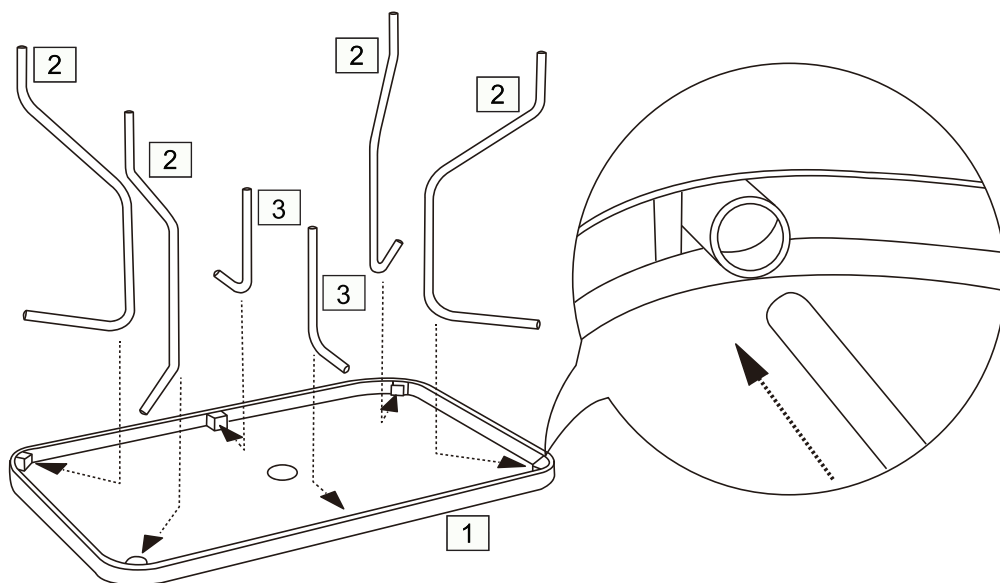
### Important:

1. During assembly do not lay the glass directly onto hard or rough surfaces. We recommend laying the glass on a blanket or cardboard during assembly. You could even use the box.

2. When lifting or moving the product, ask for someone to lend a hand, trying to move a product on your own can lead to accidents.

## Step 2

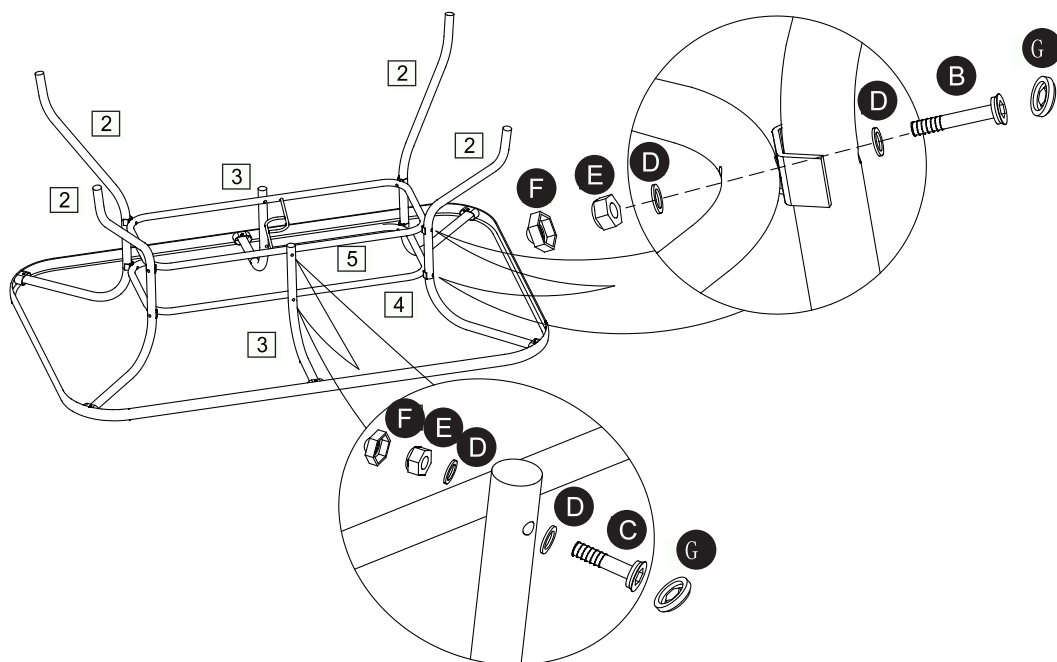
Attach the supports **3** and legs **2** to the plastic holders on the underside of the table top **1** rim by using screws **A**.



# Assembly Instructions

## Step 3

Attach the center connector **4** and the center connector with ring **5** to the middle of the legs **2** by using bolts **B**, washers **D**, Metal Nut **E** and plastic nuts **F**. Attach the center connector **4** and the center connector with ring **5** to the middle of the legs **3** by using bolts **C**, washers **D**, Metal Nut **E** and plastic nuts **F**. Make sure that all of the bolts have been tightened completely and cover them with bolt caps **G**.



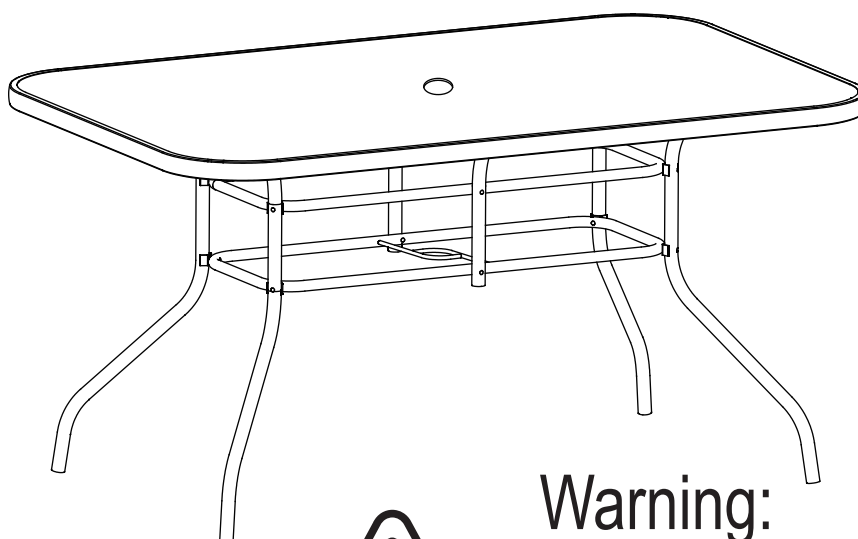
## Step 4

Turn the table to its upright position.

**Note:**  
To use an umbrella with this table, remove the plastic center plug and put the umbrella pole through the table top and center connector ring.

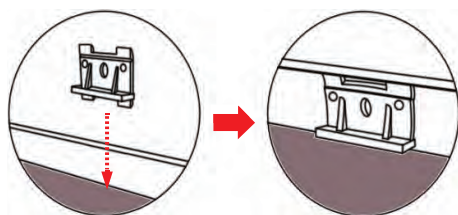
Parts of the assembly will be easier with 2 people.

Assembly is completed.



## Warning:

The parasol must be placed into the parasol's base if the table set need to match a parasol.



**Warning:** Don't detach the plastic support from the table frame! It is for glass support!

If you need help or have damaged or missing parts, call the Customer Helpline:03456400800  
For further assistance please visit <http://www.argos-support.co.uk/>  
Retailer:Argos  
Address:489-499 Avebury Boulevard Saxon Gate West,Central Milton Keynes Bucks,MK9,2NW

# Glass Guidelines

---

During assembly do not lay the glass directly onto hard or rough surfaces. We recommend laying the glass on a blanket or cardboard during assembly. You could even use the box.

When lifting or moving the product, ask for someone to lend a hand, trying to move a product on your own can lead to accidents.

Do not use furniture if any parts are missing or broken. Contact your retailer immediately.

Do not place very hot or very cold items, such as saucepans or barbecues, directly on the glass surface. Extreme temperature differences over small areas can damage glass.

Do not sit or stand upon the glass surface.

Do not strike the glass with hard or pointed items, or use the glass as a chopping surface.

Do not drag rough or heavy objects over the top of the glass.

We recommend using place mats, coasters and table cloths to help protect against scratches and accidentally dropped items.

Clean the glass regularly to make sure there are no grit on the top.

Do not clean glass with washing powders or any other substances containing abrasives, since these substances can scratch glass.

For tables that can be used outdoors, if your table has a parasol, make sure the edge of the parasol cut-out has a protector in place. In addition always use a weighted parasol base, and remove the parasol in windy conditions. Parasols can put pressure on the table top or even blow the table over in windy weather.

For tables that can be used outdoors it is advised that the table is kept covered when not in use to protect the glass from the weather and accidental damage.