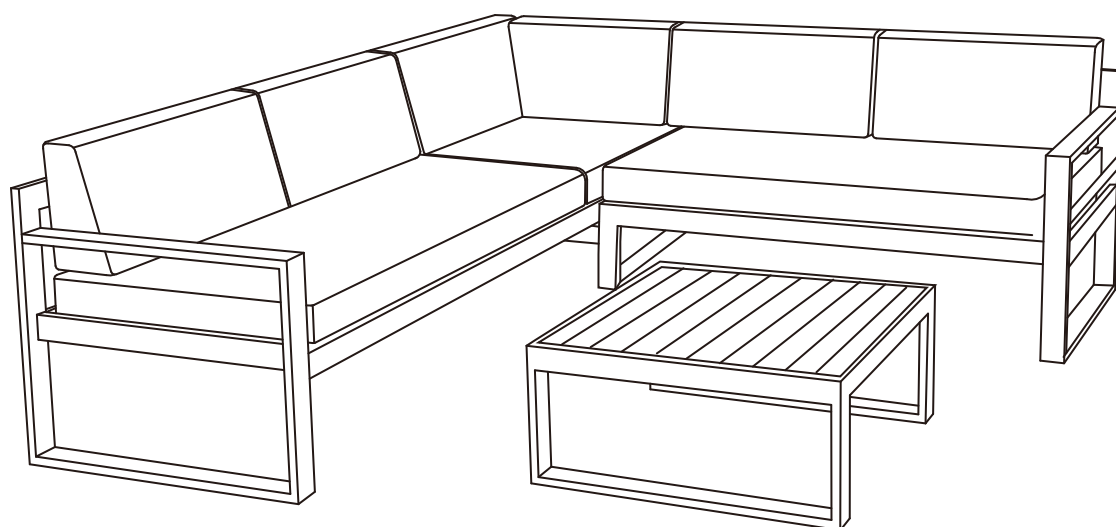


# Aluminium 6 Seater Corner Set

Assembly Instructions - Please keep for future reference

749/6246



Dimensions	Three Seat Sofa	Two Seat Sofa	Coffee table
Width	214cm	130cm	69.5cm
Depth	70cm	70cm	69.5cm
Height	63.5cm	63.5cm	32cm

**Important – Please read these instructions fully before starting assembly**

If you need help or have damaged or missing parts, call the

**Customer Helpline: Argos = 0345 6400800**

For further assistance please visit <http://www.argos-support.co.uk>

Address: 489-499 Avebury Boulevard Saxon Gate West, Central Milton Keynes Bucks, MK9, 2NW



# Safety and Care Advice

**Important – Please read these instructions fully before starting assembly**

- Read these instructions carefully and familiarise yourself with the procedure before assembling the unit.

- Check that you have all the component parts following the list on the back cover and familiarise yourself with each part before proceeding.

- Take all the fittings out of the plastic bag and separate them into their groups.

- Ensure you have enough space to lay out all the parts before assembly.

- To avoid scratching it is recommended that you assemble the unit on a soft level surface.

- Keep children and animals away from the work area, small parts could choke if swallowed.

- At least 2 people are required for this procedure.

- Please secure furniture in climatic weather, as lightweight aluminium can become a projectile.

- Dispose of all packing carefully and responsibly.

- Do not allow children to play under tables.

- Do not drag or lean back chair, sofa, benches whilst sitting on them

- Do not stand on furniture for your own safety & for the sake of the furniture.



- We do not recommend the use of power drill/drivers for inserting screws, as this could damage the unit. Only use hand screwdrivers.

- **Warning:** The unit weights approximately 46 kgs.

**Please lift with care.**

## Care and maintenance

- To avoid any risk of suffocation to animals or children dispose of the plastic bags immediately.

- While aluminium is rust resistant, bare metal can show signs of oxidation (red film) this does not constitute rust. Simply you are able to wipe or sand surface to remove oxidation mark.

- From time to time please ensure there are no loose screws on the product.

- Use a bucket filled with warm water & a soft soap, sponge over frame till clean, once clean rinse off with a hose, pat dry with a soft clean cloth before use. Every 4-6 weeks Ensure not left wet for long periods of time to avoid mould build up.

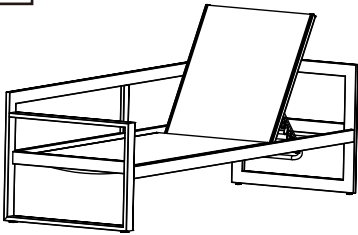
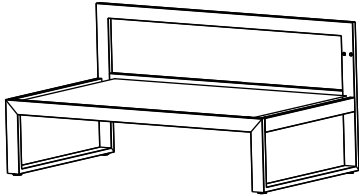
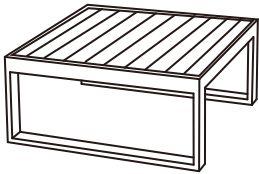


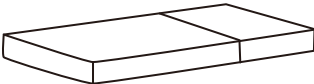
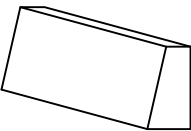
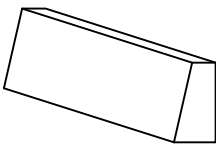
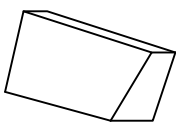

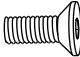
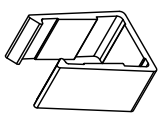
- It is important to keep fabric free of dust and or debris. Please vacuum at least every 2-3 weeks. Spot cleaning warm water & soft soap solution, sponge onto affected area till clean rinse area with clean sponge, pat dry with a soft clean cloth.

# Components - Parts & Fittings

If you have damaged or missing components, call the **Customer Helpline: Argos = 0345 6400800**

Please check you have all the parts & fittings listed below

*Note:* The quantities below are the correct amount to complete the assembly. In some cases more fittings may be supplied than are required.

<p><b>1</b></p>  <p>Three seater sofa x 1</p>	<p><b>2</b></p>  <p>Two seater sofa x 1</p>	<p><b>3</b></p>  <p>Coffee table x 1</p>
<p><b>4</b></p>  <p>Sofa armrest x 1</p>	<p><b>5</b></p>  <p>Seat cushion x 1</p>	<p><b>6</b></p>  <p>Seat cushion x 1</p>
<p><b>7</b></p>  <p>L65xW8/15xH28cm Back cushion x 2</p>	<p><b>8</b></p>  <p>L73xW8/15xH28cm Back cushion x 1</p>	<p><b>9</b></p>  <p>L59/52xW8/15xH28cm Back cushion x 1</p>
<p><b>10</b></p>  <p>L62xW8/15xH28cm Back cushion x 2</p>	<p><b>A</b></p>  <p>M6x15mm Screw x 4</p>	<p><b>B</b></p>  <p>Joining clip x 2</p>

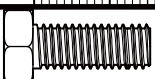
## Tools required



**C** Allen key x 1

## Ruler - Use this ruler to help correctly identify the screws

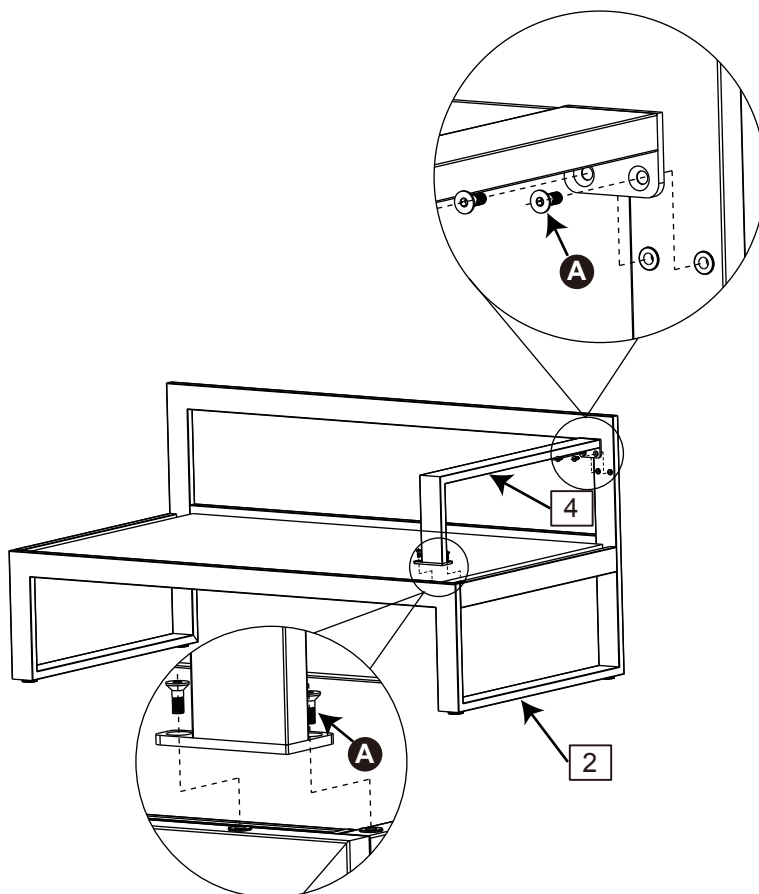
0 5 10 15 20 25 30 35 40 45 50 55 60 65 70 75 80 85 90 95 100 105 110 115 120 125 130 135 140 145 150 155 160 165 170



# Assembly Instructions

## Step 1

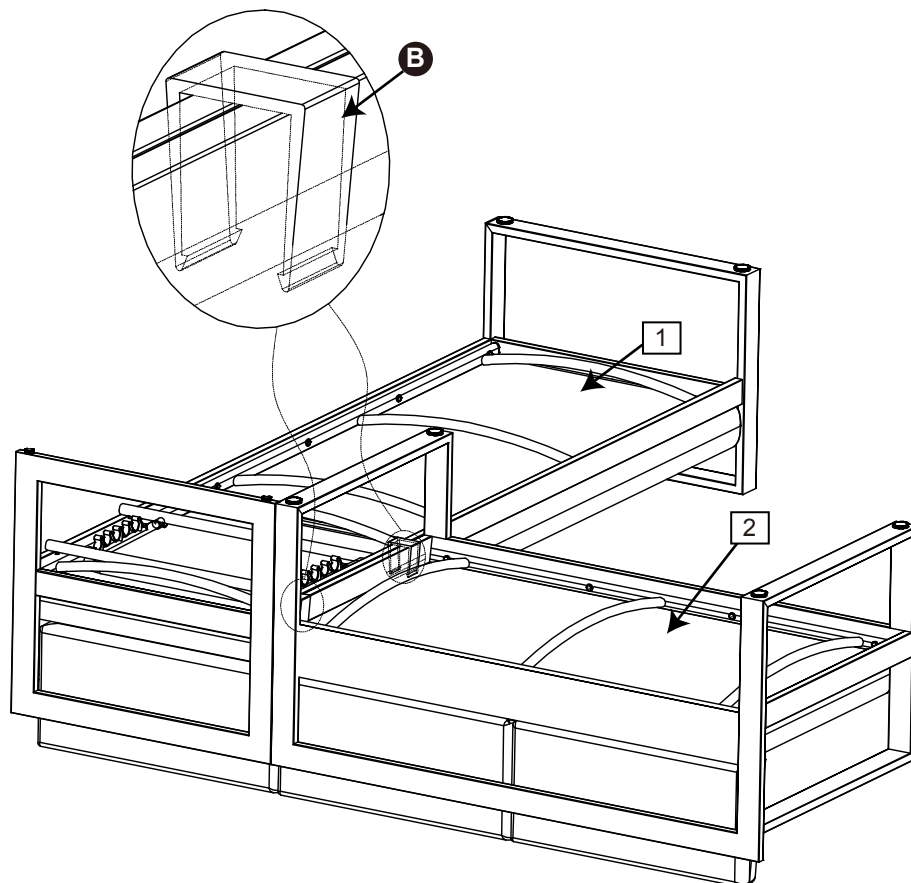
Use screw **A** to fix sofa armrest **4** to the two seater sofa **2**, fully tighten screws.



## Step 2

**Note:** At least 2 people are required for this procedure.

Use joining clip **B** to fix both two seater sofa **2** and three seater sofa **1** together as shown picture.



# Assembly Instructions

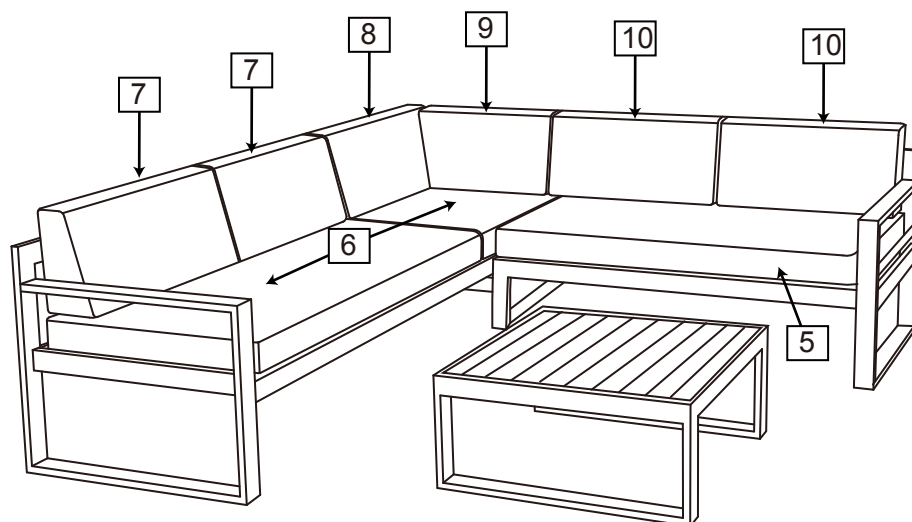
## Step 3

Put the seat and back cushions on the sofas as shown picture.

**Note:** You can find the cushion number on sewing label.

**Note:** The Cushions must be placed in turn as showed numbers.

**Assembly is complete.**



If you need help or have damaged or missing parts, call the

**Customer Helpline: Argos = 0345 6400800**

For further assistance please visit <http://www.argos-support.co.uk>

Address: 489-499 Avebury Boulevard Saxon Gate West, Central Milton Keynes Bucks, MK9, 2NW