

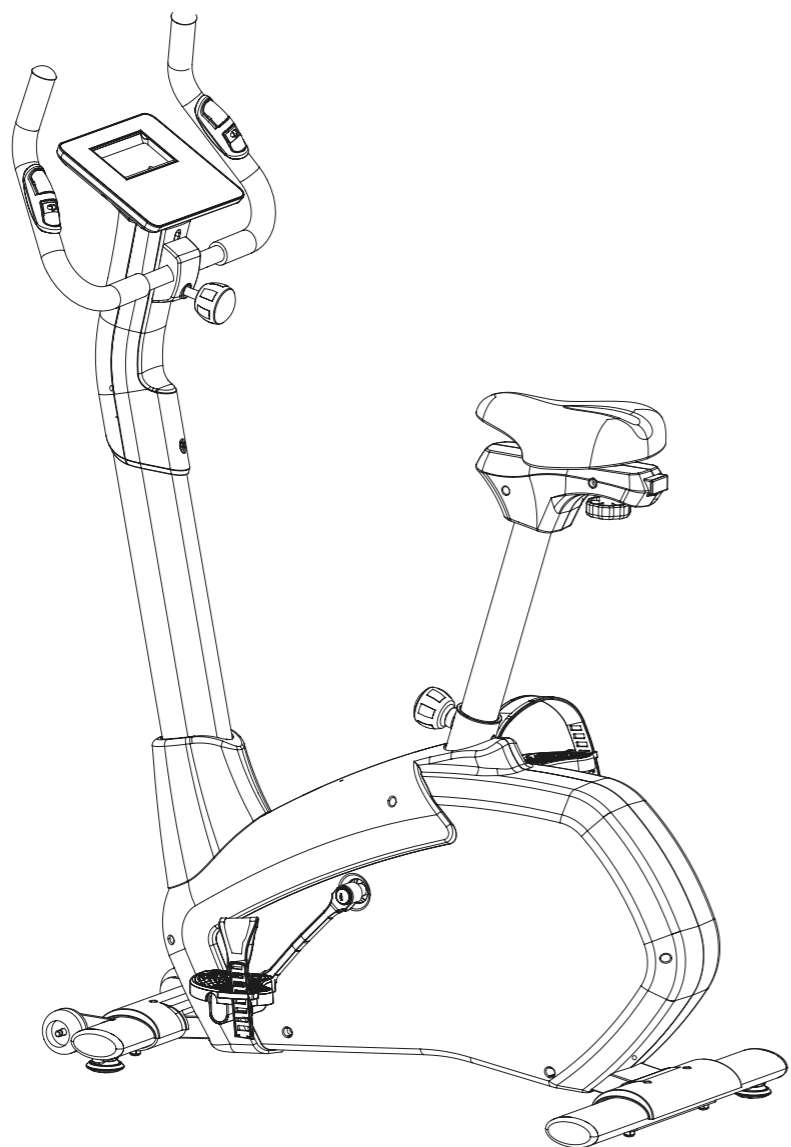


reebokfitness.com

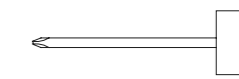
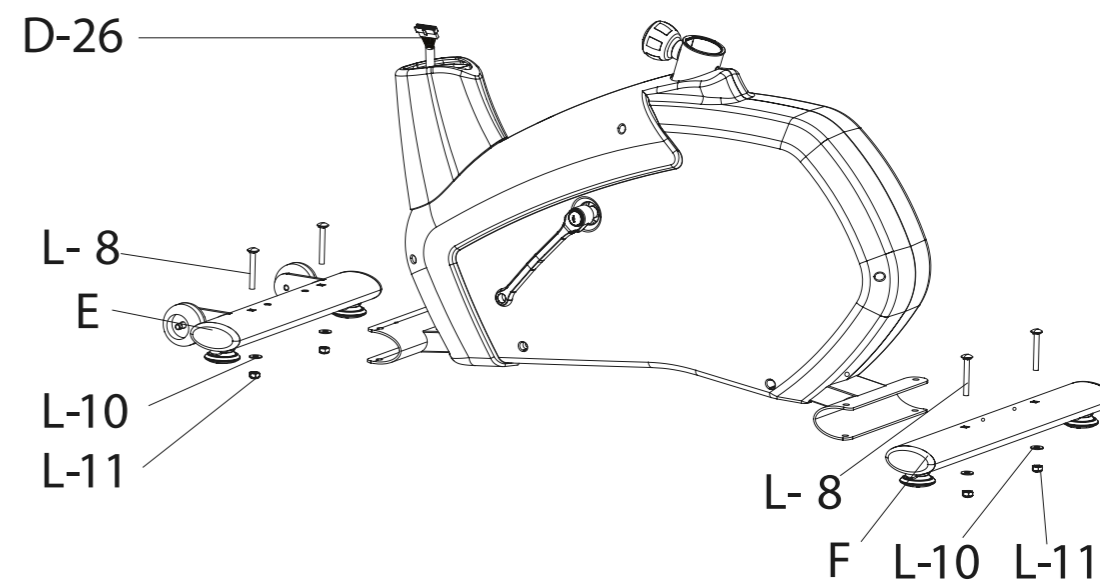


JET 300 BIKE ASSEMBLY GUIDE

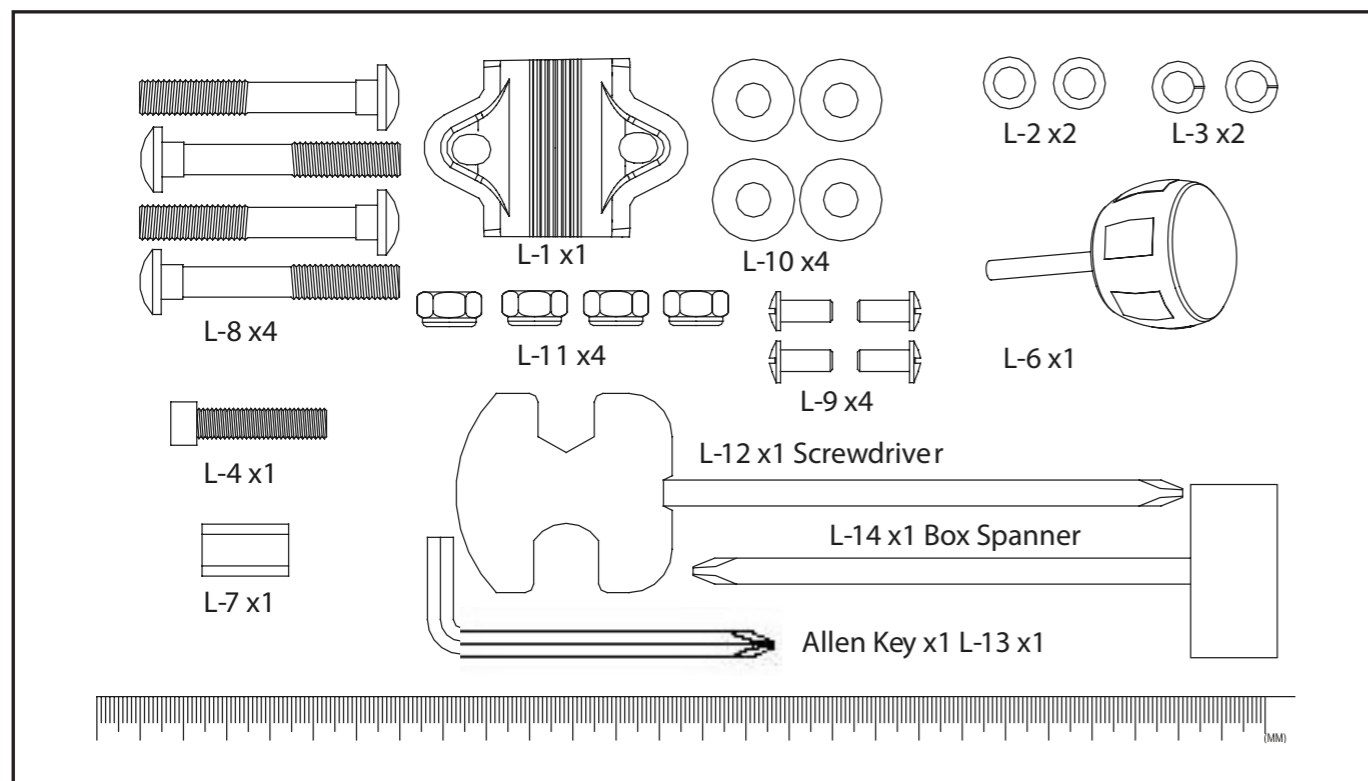
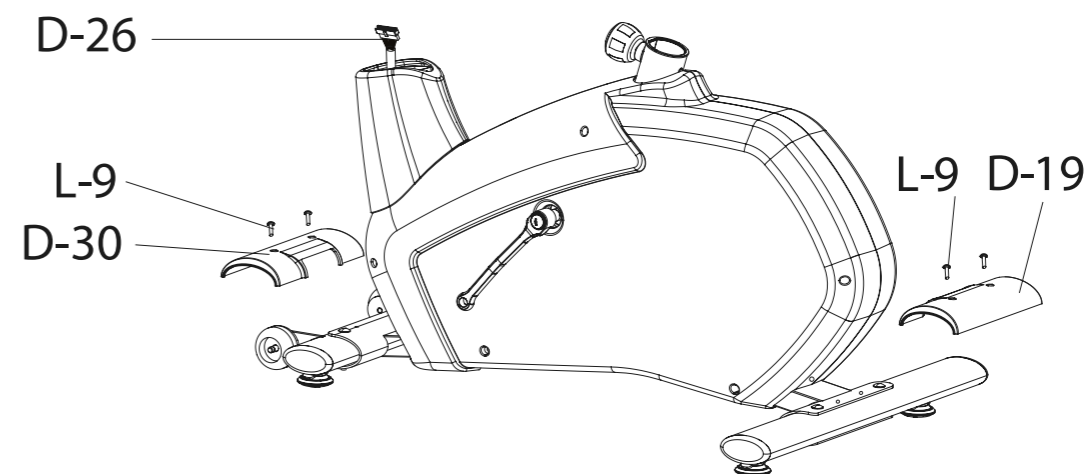


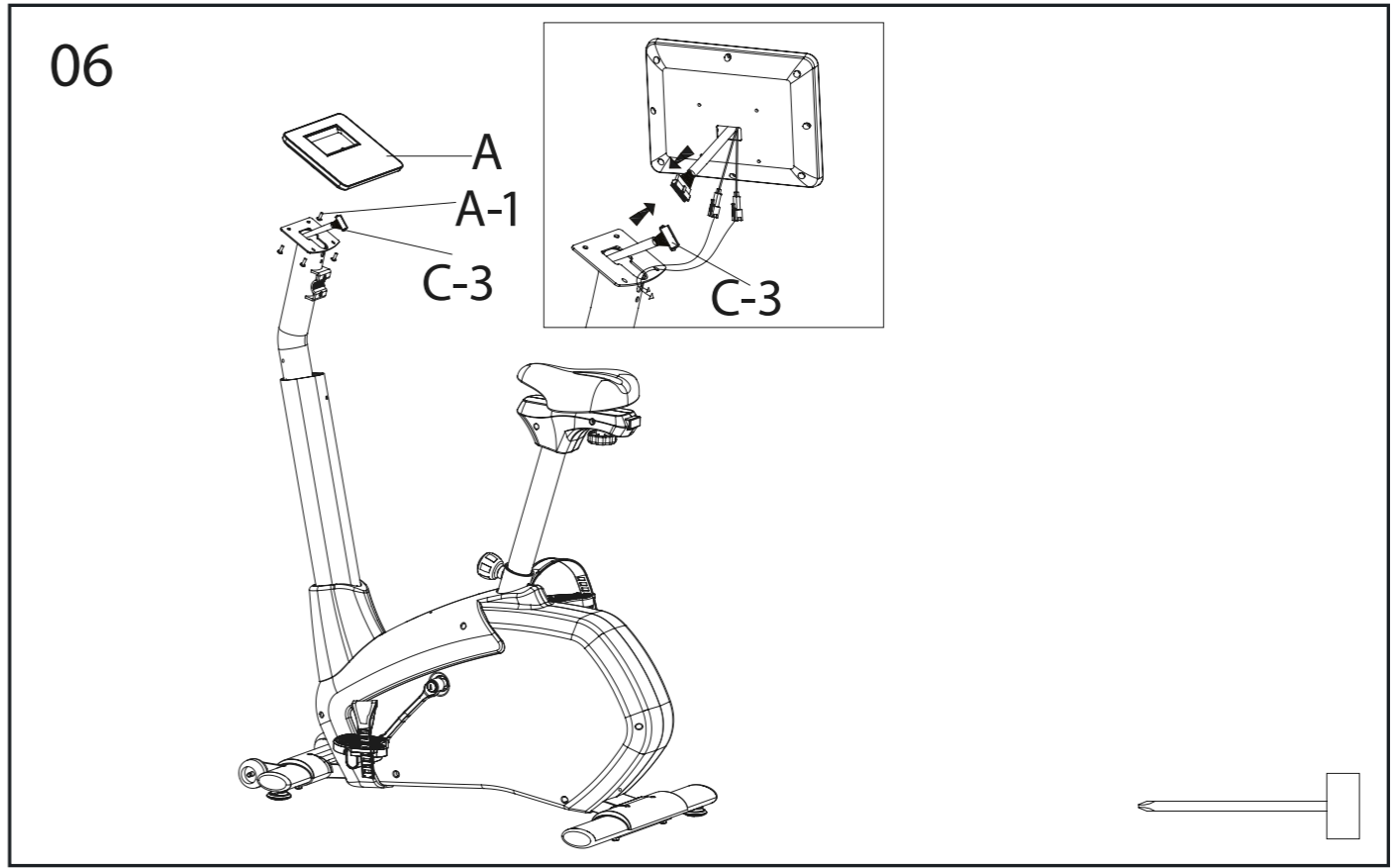
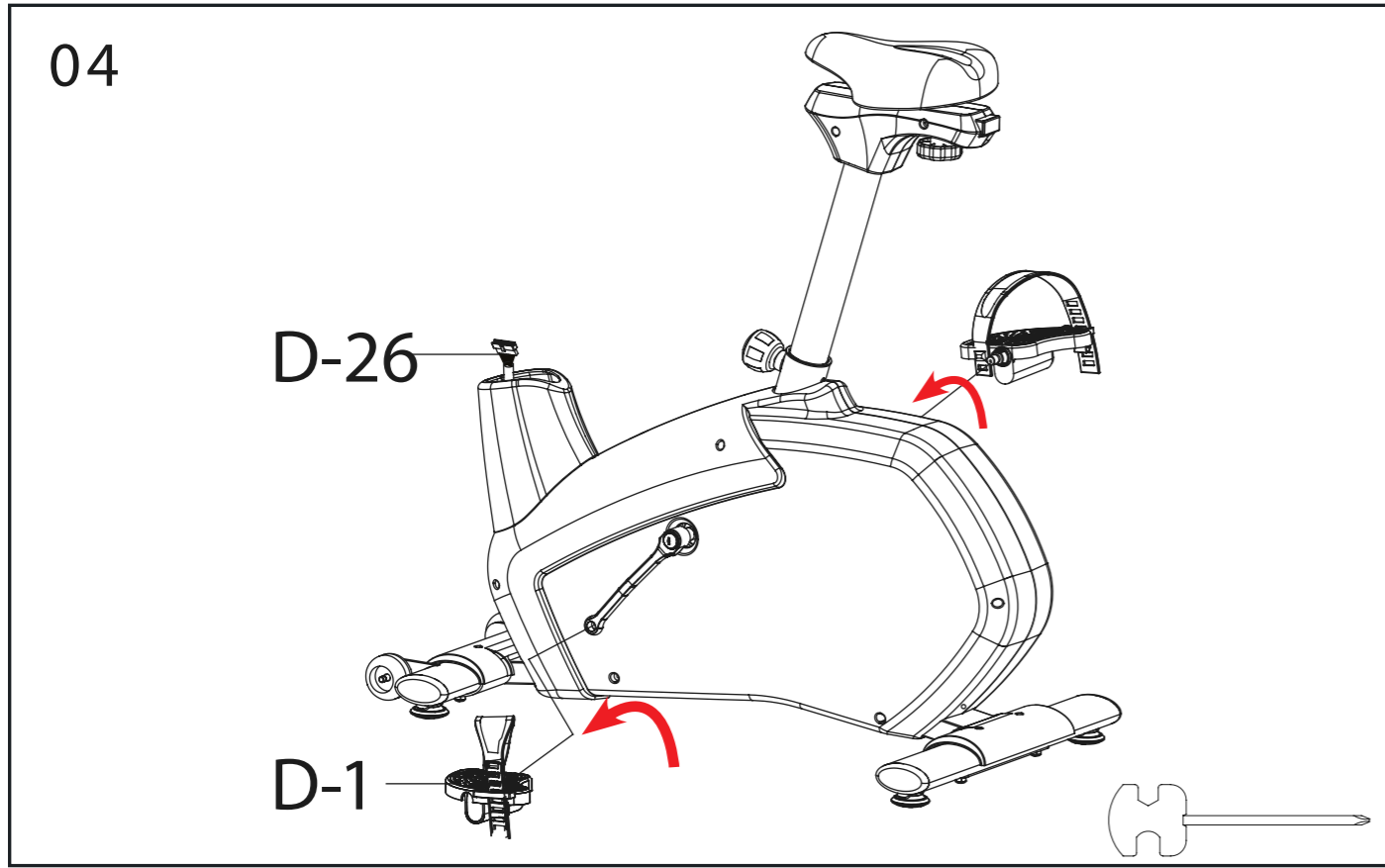
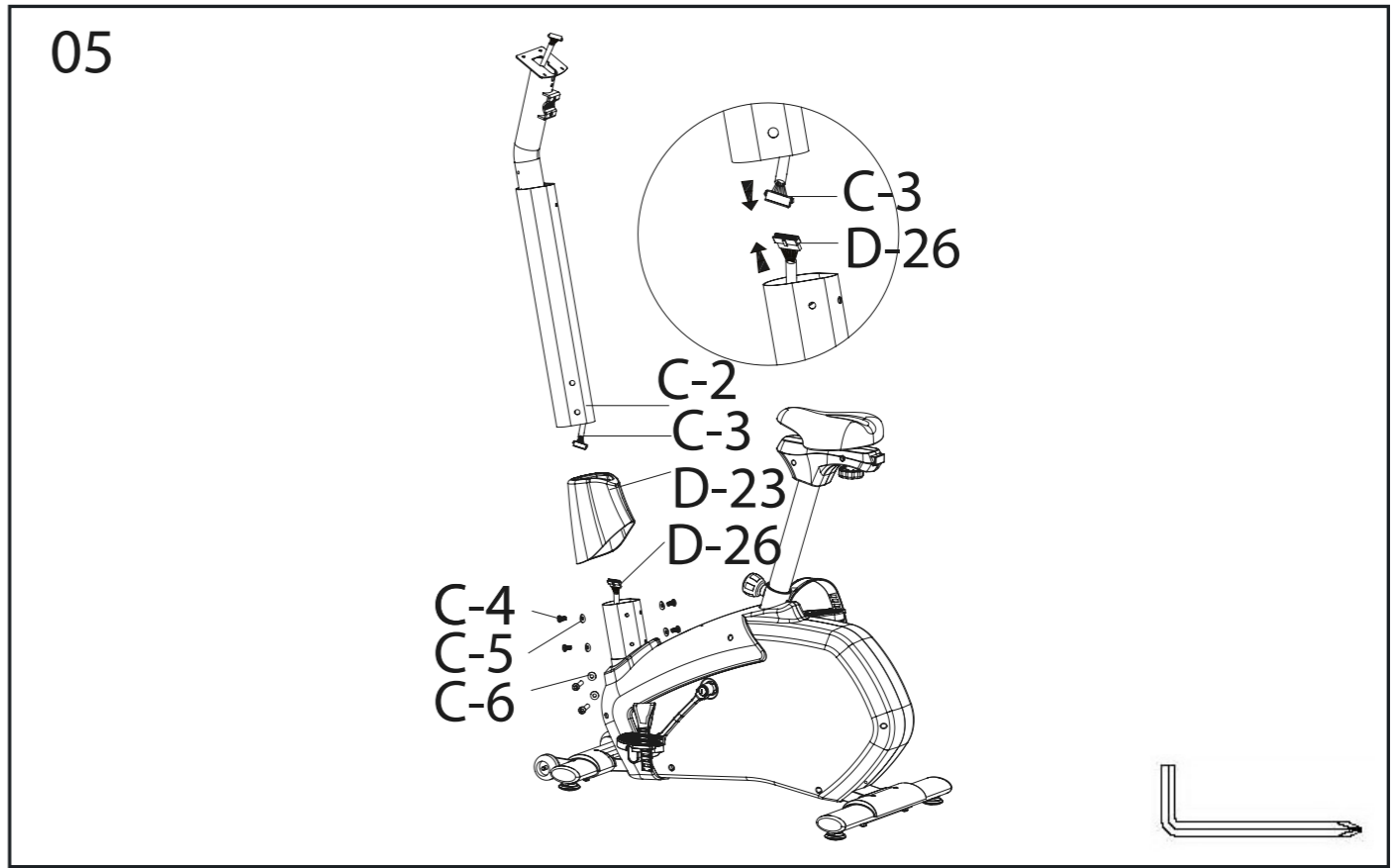
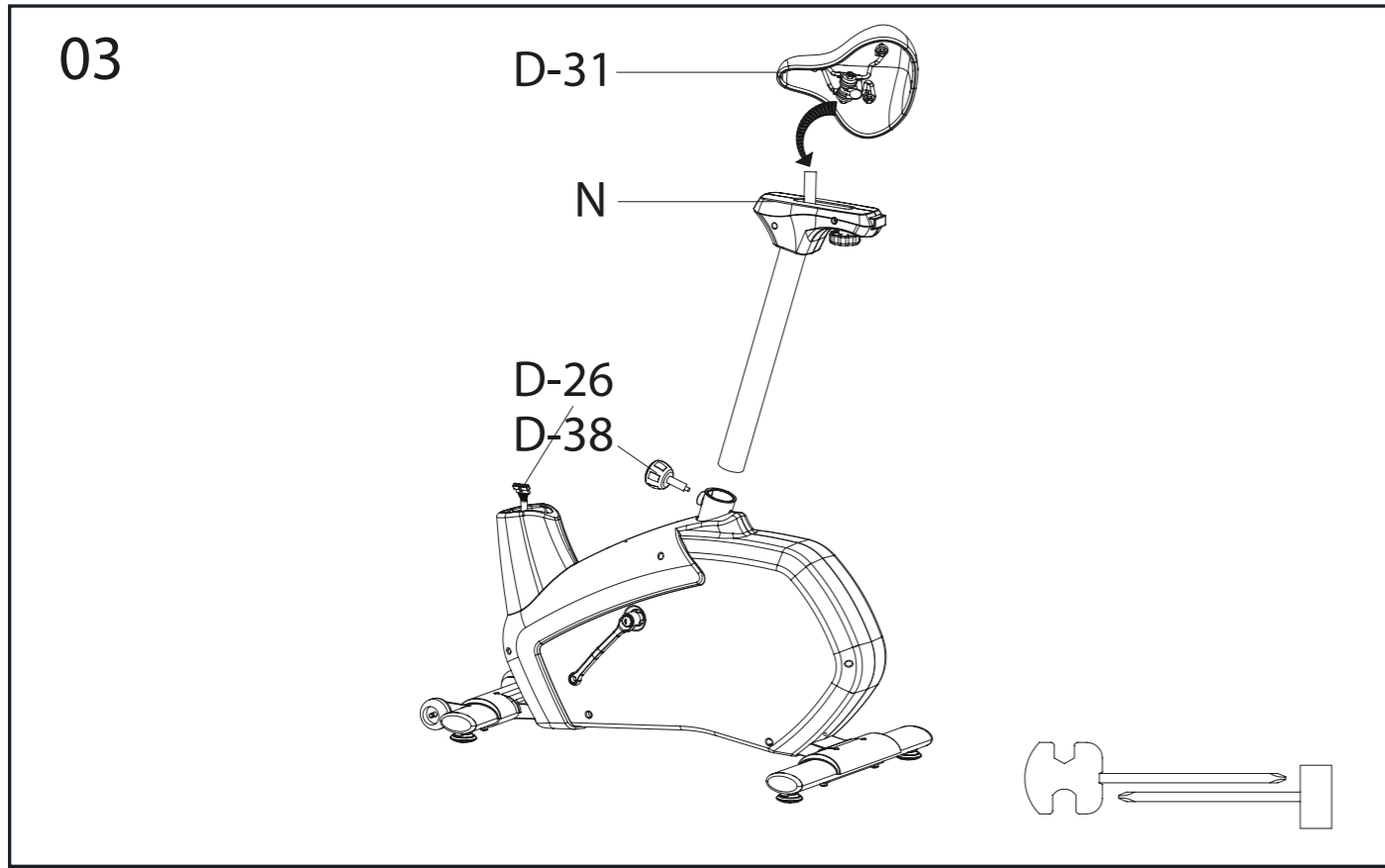


01

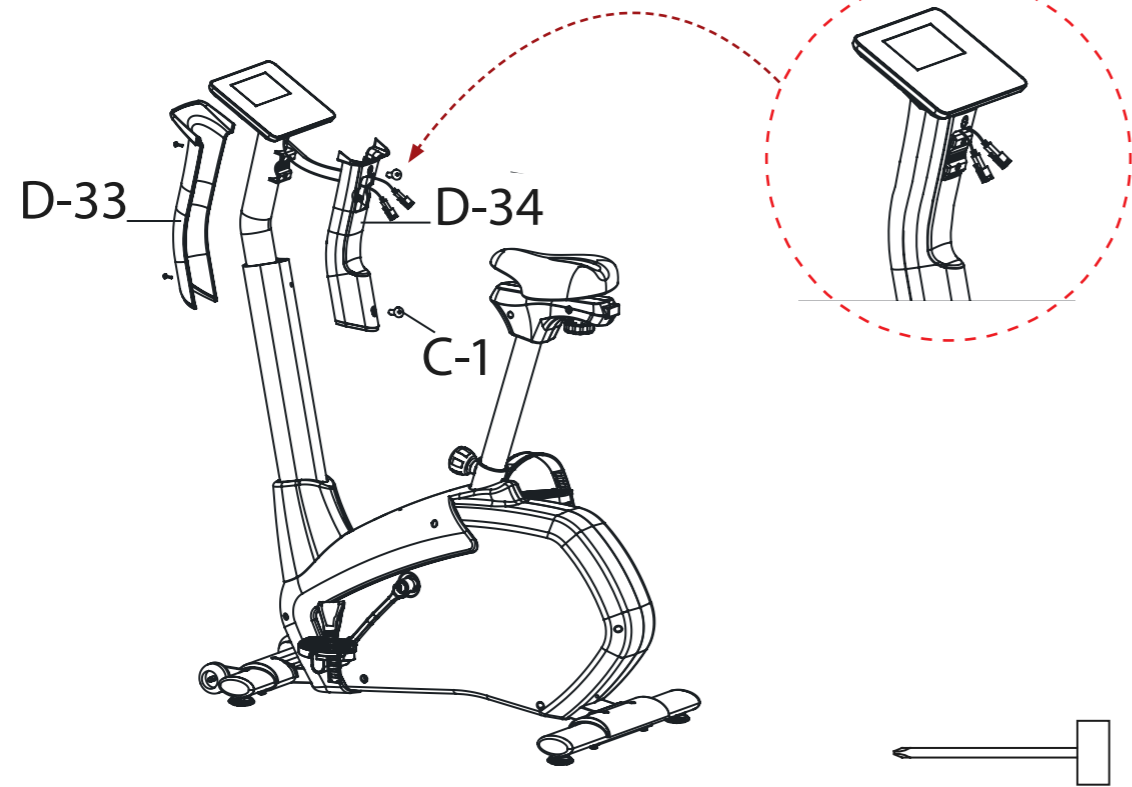


02

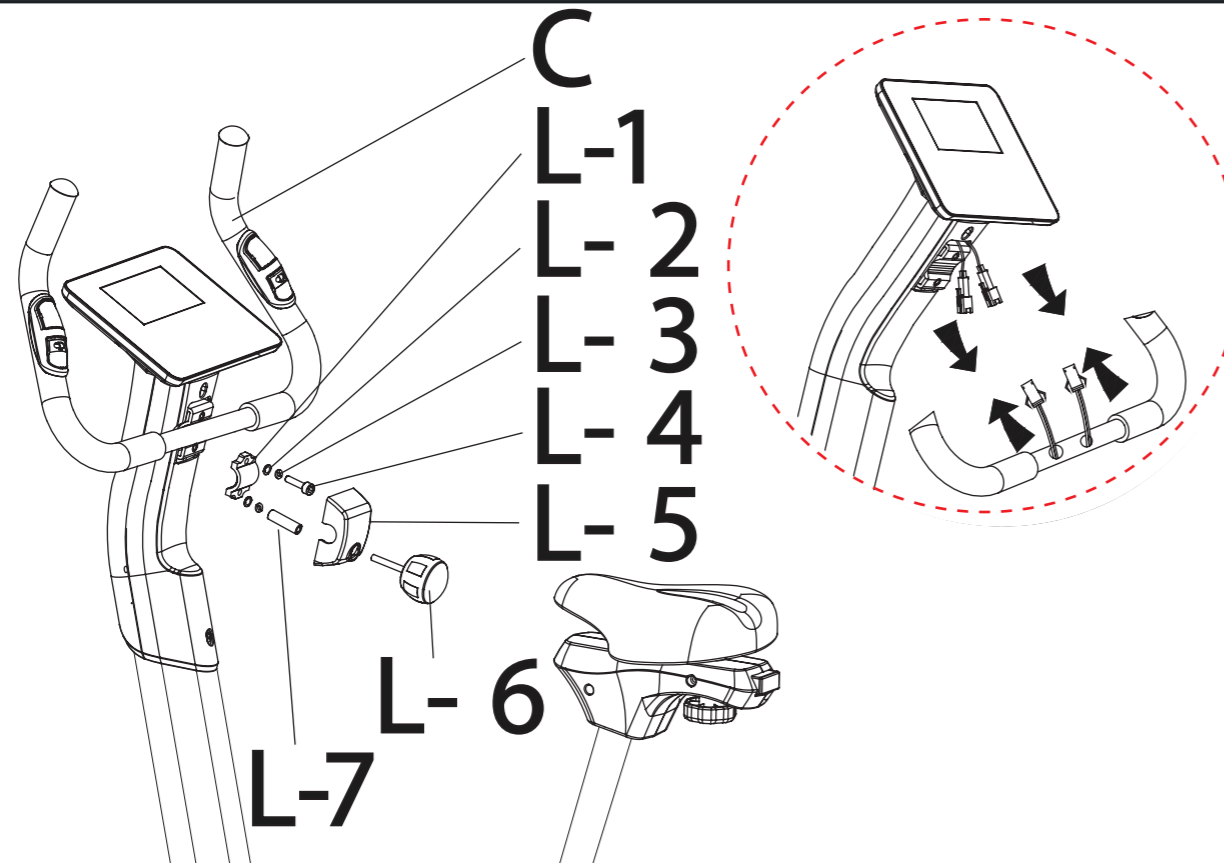




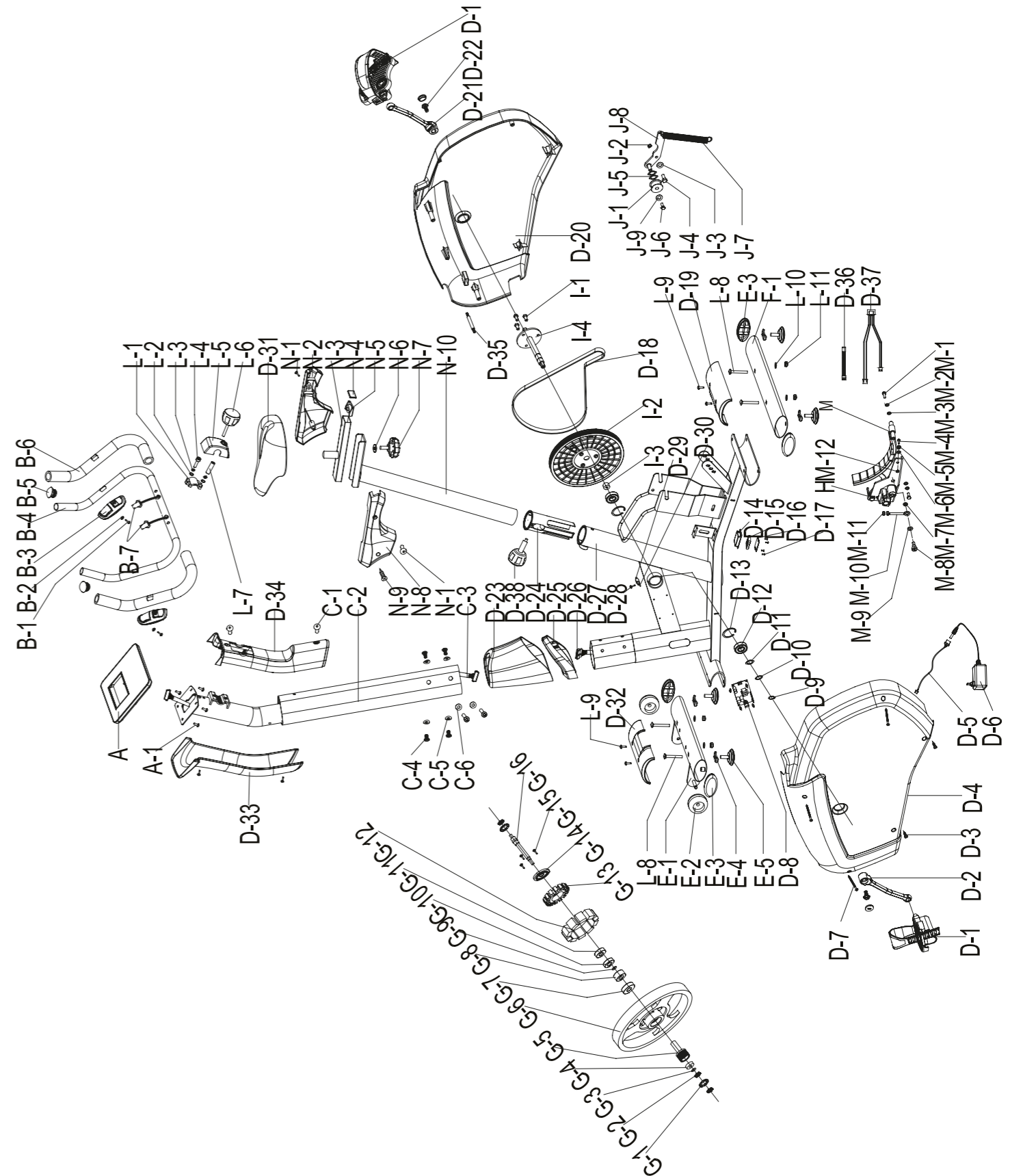
07



08



Exploded view



No.	Description	Q'ty	No.	Description	Q'ty
A	Console	1	G-3	Flat washer	1
A-1	Screw	4	G-4	6000RS bearing	1
B	Handlebar set (incl. B-1~B-7)	1	G-5	Small pulley	1
B-1	Screw	2	G-6	Flywheel	1
B-2	Semi circle washer	2	G-7	6203RS Bearing	1
B-3	Hand pulse	2	G-8	One way bearing set	1
B-4	Handlebar	1	G-9	Flat washer	1
B-5	End cap	2	G-10	6003RS bearing	1
B-6	Foam grip of handlebar	2	G-11	6202RS bearing	1
B-7	Hand pulse wire	1	G-12	NGP magnet	5
C	Handlebar post set (incl. C-1~C-6)	1	G-13	Coil set	1
C-1	Screw	4	G-14	End cap for coil set	1
C-2	Handlebar post	1	G-15	Screw	3
C-3	Upper cable wire	1	G-16	Axle for flywheel	1
C-4	Screw	6	H	Magnetic set w/ Gear box set	1
C-5	Semi circle washer	2	I	Axle set (incl. I-1~I-4)	1
C-6	Flat washer	4	I-1	Hex. Screw	3
D	Main frame set	1	I-2	Pulley	1
D-1	Pedals	1	I-3	Bushing	1
D-2	Left crank	1	I-4	Axle	1
D-3	Screw	4	J	Idler wheel set (incl. J-1~J-9)	1
D-4	Left chain cover	1	J-1	Idler wheel	1
D-5	DC wire	1	J-2	Nylon nut	1
D-6	Adaptor	1	J-3	Flat washer	1
D-7	Screw	3	J-4	Hex. screw	1
D-8	Control Board	1	J-5	Wave washer	2
D-9	C type ring	1	J-6	Hex. Screw	1
D-10	Flat washer	4	J-7	Spring for idler	1
D-11	Wave washer	1	J-8	Idler	1
D-12	6203RS Bearing	2	J-9	Flat washer	1
D-13	Ring	2	L	Hardware kit (incl. L-1~L-14)	1
D-14	Lower battery box cover	1	L-1	Handlebar clamp	1
D-15	Battery	5	L-2	Flat washer	2
D-16	Upper battery box cover	1	L-3	Spring washer	2
D-17	Screw	4	L-4	Inner hex. Screw	1
D-18	Belt	1	L-5	Small cover for handlebar	1
D-19	Cover for rear stabilizer	1	L-6	Knob for handlebar	1
D-20	Right chain cover	1	L-7	Bushing	1
D-21	Right crank	1	L-8	Carriage Screw	4
D-22	Nylok screw	2	L-9	Screw	4
D-23	Cover for handlebar post	1	L-10	Flat washer	4
D-24	Seat sleeve	1	L-11	Nylon nut	4
D-25	Sleeve for handlebar post	1	L-12	Wrench	1
D-26	Lower cable wire	1	L-13	Hex. Wrench	1
D-27	Main frame	1	L-14	Bushing Wrench	1
D-28	Screw	1	M	Magnetic set (incl. M-1~M-12)	1
D-29	Sensor box	1	M-1	Hex. Screw	2
D-30	Sensor bracket	1	M-2	Spring washer	2
D-31	Saddle	1	M-3	Flat washer	2
D-32	Cover for front stabilizer	1	M-4	Hex. Screw	1
D-33	Rear cover for handlebar	1	M-5	Bushing	1
D-34	Front cover for handlebar	1	M-6	Flat washer	1
D-35	Connecting pole for chain cover	1	M-7	Bushing	1
D-36	Input NGP cable wire	1	M-8	Screw	1
D-37	Output NGP cable wire	1	M-9	Flat washer	1
D-38	Knob for seat post	1	M-10	Adjustor	1
E	Front stabilizer set (incl. E-1~E-8)	1	M-11	Hex. nut	2
E-1	Font stabilizer	1	M-12	Nylon nut	1
E-2	Adjustor foot cap	4	N	Seat post w/ slider set (incl. N-1~N10)	1
E-3	Transportation wheel	2	N-1	Screw	2
E-4	End cap	4	N-2	Right cover for seat slider	1
E-5	Nut	2	N-3	Seat slider	1
E-6	Bushing	2	N-4	End cap	1
E-7	C type ring	2	N-5	Fix screw set for seat slider	1
E-8	Blind nuts	4	N-6	Flat washer	1
F	Rear stabilizer set (incl. F-1, E-2, E4~E8)	1	N-7	Knob for saddle	1
F-1	Rear stabilizer	1	N-8	Left cover for seat slider	1
G	Flywheel Set (incl. G-1~G-16)	1	N-9	Screw	1
G-1	Star washer	2	N-10	Seat post	1
G-2	Nut	3			

