



# ORIGINAL INSTRUCTION MANUAL

**24V**

# Cordless Grass Trimmer

**CLGT2425H**



**Important - Please read these instructions  
fully before starting assembly**

These instructions contain important information that will help you get the best from your trimmer, ensuring it is assembled correctly and safely. If you need help or have damaged or missing parts, call the Customer Helpline on 0345 605 2068

**AFTER SALES SUPPORT  
0345 605 2068**

## SPEAR & JACKSON SINCE 1760

For more than 250 years gardeners have enjoyed high quality performance and great results using Spear & Jackson tools.

Our garden power tools combine continuous innovation and the latest in manufacturing technologies with a proud heritage.

Each product is carefully designed with performance, comfort and durability firmly in mind, which has earned Spear & Jackson an enviable reputation as a maker of tools to trust.

### 3 YEARS GUARANTEE

As a testament to the quality of our products, we offer a 3 year manufacturers warranty and a comprehensive after sales service.

The warranty covers manufacturing faults, however in the event that the item has been deliberately damaged, used in a commercial environment or disassembled then the warranty will be null and void.

Please retain proof of purchase.

### TECHNICAL SUPPORT

We want you to get the best out of your products. Our easy-to-read instruction manual guides you with best practice use and maintenance tips. Please call 03456 052 068 for technical support, we can solve around 80% of questions directly over the phone.

We hope you enjoy your product and we look forward to any feedback, as this allows us to develop even better products for the future.

# CONTENTS

<b>Safety Information</b> .....	<b>4</b>
Description Of Symbols.....	4
General Safety .....	5
Additional Safety Instructions For Batteries And Chargers .....	7
Additional Safety Instructions For Grass Trimmers.....	10
Maintenance And Storage Safety.....	11
Intended Use.....	12
<b>In the Box</b> .....	<b>13</b>
Parts.....	13
<b>Assemble</b> .....	<b>14</b>
<b>Prepare</b> .....	<b>17</b>
<b>Operate</b> .....	<b>19</b>
<b>Maintenance</b> .....	<b>22</b>
<b>Technical Data</b> .....	<b>24</b>
<b>Troubleshooting</b> .....	<b>26</b>
<b>Warranty</b> .....	<b>27</b>

# SAFETY INFORMATION

## DESCRIPTION OF SYMBOLS



**WARNING!** This is a warning symbol. This symbol is used throughout the user guide whenever there is a risk of personal injury. Ensure that these warnings are read and understood at all times.



Read instruction handbook before operating this machine.



Wear hearing protection.



Wear eye protection.



Keep bystanders away.



Disconnect the battery pack before any repair or maintenance.



Guaranteed sound power level.



The product complies with the applicable European directives and an evaluation method of conformity for these directives was done.



Do not expose and operate the tool in rain.



Beware of thrown or flying objects to bystanders. Keep bystanders a safe distance away from the machine.



Waste electrical products should not be disposed of with household waste. Please recycle where facilities exist. Check your Local Authority or retailer for recycling advice.



The charger is for indoor use only.



Double insulation.



Fuse.



Batteries contain Li-ion, waste batteries should be sorted for ecofriendly. Do not dispose of waste batteries as unsorted municipal waste.



Do not dispose of batteries in rivers or immerse in water.



Do not litter to fire.

## SAFETY INFORMATION



Do not subject the battery to strong sunlight over long periods and do not leave it on a heater (max.45°C).

### GENERAL SAFETY



**IMPORTANT!** Read all instructions. Failure to follow all instructions listed below may result in electric shock, fire and/or serious injury. The term “power tool” in all warnings listed below refers to your mains operated power tool.

- Read the instruction carefully. Be familiar with the controls and the correct use of the appliance. Read and understand the operator’s manual and observe the warnings and instruction labels affixed to the appliance.
- Users. Never allow children or people unfamiliar with these instructions to use the appliance. Local regulations may restrict the age of operator. Never operate the tool under the influence of alcohol, medication or drugs.

- Use appropriate tool. This device is only intended for trimming hedge outdoors and only designated for use on private property. Do not force small tools or attachments to do the job of a heavy duty tool.
- Keep work areas clean. Cluttered areas can cause accidents.
- Consider work area environment. Do not expose the tool to high humidity or rain. Do not use the tool in damp and wet conditions. Keep the work area well lit. Do not use the tool where there is a risk of causing fire or explosion, e.g. in the presence of flammable liquids and gases.
- Keep all bystanders, children, and pets away. The operator or user is responsible for accidents or hazards occurring to other people or the property.
- Grip the tool securely. Operator should have one hand on the main handle, the other on the front handle. Keep finger off trigger until ready to use.
- Risk of cut. Do not try to grasp or remove trimmings

## SAFETY INFORMATION

when the product is running. Only remove trimmings when the product is switched off and disconnected from the power supply.

- Check for damaged parts. Before further use, carefully check the tool for damage. Check for alignment of moving parts, binding of moving parts, breakage of parts, mounting and any other condition that may affect its operation. Do not use the tool if any parts are damaged or defective. Have any damaged or defective parts repaired or replaced by an authorized service agent. Never attempt any repairs yourself.
- Store idle tools. When not in use, tools should be stored in a dry, locked-up place out of reach of children.
- Maintain tools with care. Keep tools clean and in good condition for better and safer performance. Follow the instructions for maintenance and changing accessories. Keep handles and switches dry, clean and free from oil and grease.

## PERSONAL SAFETY

- Stay alert, watch what you are doing and use common sense when operating a power tool. Do not use a power tool while you are tired or under the influence of drugs, alcohol or medication. A moment of inattention while operating power tools may result in serious personal injury.
- Use personal protective equipment. Always wear eye protection. Protective equipment such as dust mask, non-skid safety shoes, hard hat, or hearing protection used for appropriate conditions will reduce personal injuries.
- Prevent unintentional starting. Ensure the switch is in the off-position before connecting to power source and/or battery pack, picking up or carrying the tool. Carrying power tools with your finger on the switch or energising power tools that have the switch on invites accidents.
- Do not overreach. Keep proper footing and balance at all times. This enables better control of the power tool in unexpected

## SAFETY INFORMATION

situations.

- Dress properly. Do not wear loose clothing or jewellery. Keep your hair, clothing and gloves away from moving parts. Loose clothes, jewellery or long hair can be caught in moving parts.

### ADDITIONAL SAFETY INSTRUCTIONS FOR BATTERIES AND CHARGERS

#### SAFETY WARNINGS FOR BATTERY PACK



**WARNING!** Read all safety warnings and all instructions. Failure to follow the warnings and instructions may result in electric shock, fire and/or serious injury.

#### SAVE ALL WARNINGS AND INSTRUCTIONS FOR FUTURE REFERENCE.

- Do not dismantle, open or shred cells or battery pack.
- Do not short-circuit a battery pack. Do not store battery packs haphazardly in a box or drawer where they may short circuit each other or be short-circuited by conductive materials. When battery pack is not in use, keep it away from

other metal objects, like paper clips, coins, keys, nails, screws or other small metal objects, that can make a connection from one terminal to another. Shorting the battery terminals together may cause burns or a fire.

- Do not expose battery pack to heat or fire. Avoid storage in direct sunlight.
- Do not subject battery pack to mechanical shock.
- In the event of battery leaking, do not allow the liquid to come into contact with the skin or eyes. If contact has been made, wash the affected area with copious amounts of water and seek medical advice.
- Seek medical advice immediately if a cell or battery pack has been swallowed.
- Keep battery pack clean and dry.
- Wipe the battery pack terminals with a clean dry cloth if they become dirty.
- Battery pack needs to be charged before use. Always refer to this instruction and use the correct charging procedure.

## SAFETY INFORMATION

- Do not maintain battery pack on charge when not in use.
- After extended periods of storage, it may be necessary to charge and discharge the battery pack several times to obtain maximum performance.
- Battery pack gives its best performance when it is operated at normal room temperature ( $20\text{ }^{\circ}\text{C} \pm 5\text{ }^{\circ}\text{C}$ ).
- When disposing of battery packs, keep battery packs of different electrochemical systems separate from each other.
- Recharge only with the charger specified by manufacturer. Do not use any charger other than that specifically provided for use with the equipment. A charger that is suitable for one type of battery pack may create a risk of fire when used with another battery pack.
- Do not use any battery pack which is not designed for use with the equipment.
- Keep battery pack out of the reach of children.
- Retain the original product literature for future

reference.

- Remove the battery from the equipment when not in use.
- Dispose of properly.

### SAFETY WARNINGS FOR YOUR BATTERY CHARGER



**WARNING!** Read all safety warnings and all instructions. Failure to follow the warnings and instructions may result in electric shock, fire and/or serious injury.

### SAVE ALL WARNINGS AND INSTRUCTIONS FOR FUTURE REFERENCE.

- This appliance is not intended for use by persons (including children) with reduced physical, sensory or mental capabilities, or lack of experience and knowledge, unless they have been given supervision or instruction concerning use of the appliance by a person responsible for their safety.
- Children should be supervised to ensure that they do not play with the appliance.



### ADDITIONAL SAFETY INSTRUCTIONS FOR YOUR BATTERY CHARGER

- Before charging, read the instructions.
- After charging, disconnect the battery charger from the supply mains. Then remove the chassis connection and then the battery connection.
- Do not charge a leaking battery.
- Do not use chargers for works other than those for which they are designed.
- Before charging, ensure your charger is matching the local AC supply.
- For indoor use, or do not expose to rain.
- The charging device must be protected from moisture.
- Do not use the charging device in the open.
- Do not short out the contacts of battery or charger.
- Respect the polarity “+/-” when charging.
- Do not open the unit and keep out of the reach of children.
- Do not charge the batteries of other manufactures or ill-suited models.
- Ensure that the connection between the battery charger and battery is correctly positioned and is not obstructed by foreign bodies.
- Keep battery charger’s slots are free of foreign objects and protect against dirt and humidity. Store in a dry and frost-free place.
- When charging batteries, ensure that the battery charger is in a wellventilated area and away from inflammable materials. Batteries can get hot during charging. Do not overcharge any batteries. Ensure that batteries and chargers are not left unsupervised during charging.
- Do not recharge nonrechargeable batteries, as they can overheat and break.
- Longer life and better performance can be obtained if the battery pack is charged when the air temperature is between 18°C and 24°C. Do not charge the battery pack in air temperatures below

## SAFETY INFORMATION

0°C, or above 45°C. This is important as it can prevent serious damage to the battery pack.

- Charge only battery pack of the same model provided by manufacturer and of models recommended by manufacturer.

### ADDITIONAL SAFETY INSTRUCTIONS FOR GRASS TRIMMERS

- Wear safety goggles when operating this tool.
- Wear gloves when operating this tool.
- Do not expose the tool to rain or high humidity.
- Be familiar with the controls and proper use of trimmer.
- Never allow children or people unfamiliar with the instructions to use the trimmer.
- Keep children, other people and pets away from the trimmer; the grass which is cut and dispersed may contain stones and debris. Stop using the trimmer while people, especially children, or pets are nearby.
- Do not let other people or animals come within 15 m of the trimmer when in use.
- Only use the trimmer in daylight or good artificial light.
- Before using the trimmer and after any impact, check for signs of wear or damage and repair as necessary; Do not use the trimmer if the cutting device is not secured properly or is damaged.
- Always check the good working order of the trimmer which, if not adequate, could endanger the user.
- Never operate the trimmer with damaged guards or without the guards in place.
- Before starting the trimmer, make sure that the nylon line is not touching stones or debris.
- Take care against injury to feet and hands from the cutting means.
- Take care against injury from the cutter blade fitted for trimming the filament line length. Switch on the motor only when the hands and feet are away from the cutting means.
- Never fit metal cutting elements.
- Never use replacement

## SAFETY INFORMATION

parts or accessories not provided or recommended by the manufacturer.

- Remove the battery before checking, cleaning or working on the trimmer and when it is not in use.
- Always ensure that ventilation openings are kept clear of debris.
- To avoid unintentional starting, do not carry the machine with a finger on the on/off switch.
- Remain in a stable and secure position while operating the trimmer.
- Keep the area being cut free from wires, stones and debris.
- Do not cut against hard objects. This could cause injury or damage the trimmer.
- Warning! Cutting elements continue to rotate after the motor is switched off.
- Do not try stopping the cutting device (nylon line) with your hands. Always let it come to a stop by itself.
- Do not use the trimmer to cut grass which is not in contact with the ground; for example do not cut grass which is on

walls or rocks etc.

- Do not cross roads or gravel paths with the trimmer still running.

## MAINTENANCE AND STORAGE SAFETY

- Disconnect the product from the power supply (i.e. remove the plug from the power supply or the battery pack) and check for damage after use.
- Disconnect the product from the power supply (i.e. remove the plug from the power supply or the battery pack) before carrying out maintenance or cleaning work.
- Use only the manufacturer's recommended replacement parts and accessories.
- Inspect and maintain the product regularly. Have the product repaired only by an authorised service centre or similar qualified specialist.
- When not in use, store the product out of the reach of children.
- Have your power tools

## SAFETY INFORMATION

serviced by a qualified repair person using only identical replacement parts. This will ensure that safety of the power tool is maintained.

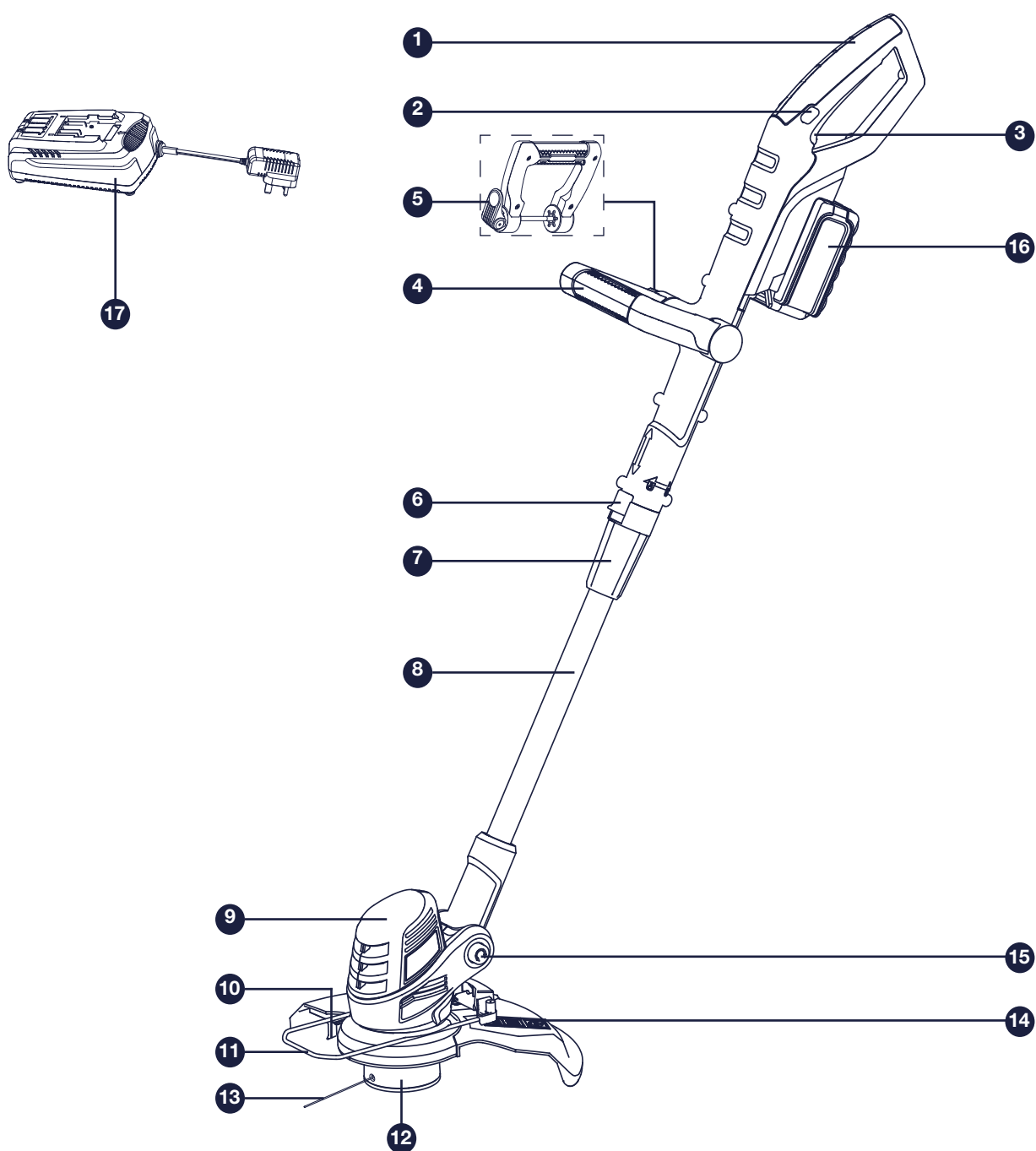
## INTENDED USE

- This Cordless grass trimmer is designed for domestic use only: to trim grass, lawn edges and light foliage.
- This machine is not designed for heavy duty or commercial use.
- Any use of the machine that deviates from its intended use and is not included in these instructions is considered unauthorized use and relieves the manufacturer from his or her legal liability.

# IN THE BOX

## PARTS

- |                           |                                  |                           |                    |
|---------------------------|----------------------------------|---------------------------|--------------------|
| 1 Handle                  | 6 Trimming/edging locking system | 11 Flower guard           | 16 Battery         |
| 2 Lock-off button         | 7 Locking collar                 | 12 Automatic feed spool   | 17 Battery charger |
| 3 Trigger switch          | 8 Shaft                          | 13 Nylon line             |                    |
| 4 Front handle            | 9 Motor housing                  | 14 Guard                  |                    |
| 5 Handle adjustment clamp | 10 Line cutting blade            | 15 Head adjustment button |                    |



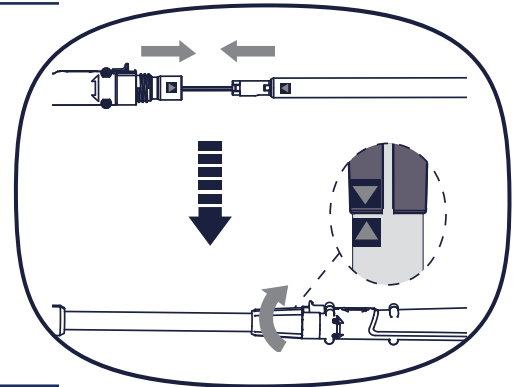
# ASSEMBLE

## 1 Unpacking

- i. Unpack all parts and lay them on a flat, stable surface.
- ii. Remove all packing materials and shipping devices if applicable.
- iii. Make sure the delivery contents are complete and free of any damage. If you find that parts are missing or show damage do not use the product but contact the aftersales helpline within 28 days of purchase. Using an incomplete or damaged product represents a hazard to people and property.
- iv. Ensure that you have all the accessories and tools needed for assembly and operation. This also includes suitable personal protective equipment.

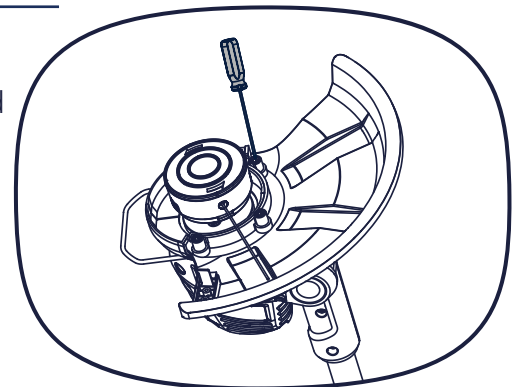
## 2 Connect the upper and lower handle

Assemble the shaft into the upper handle and fully engaged, fix the handle using the locking collar.



## 3 Fitting the Guard

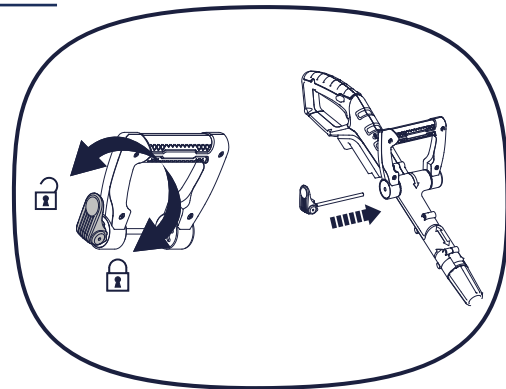
Place the guard onto the housing as shown, secure the guard by screws.



# ASSEMBLE

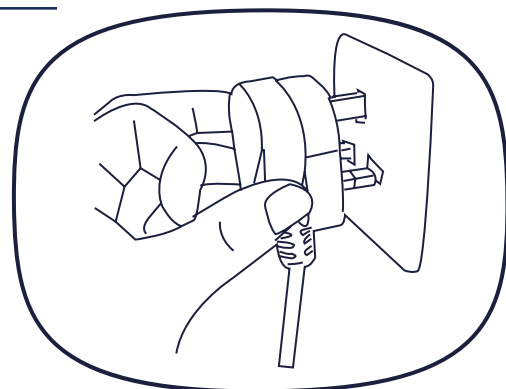
## 4 Front handle assemble

- i. Loosen the knob and remove it together with the bolt from the front handle.
- ii. Align the front handle to the housing and place it onto it.
- iii. Insert the bolt from the right through the opening, ensure that the bolt head sits properly then tighten the knob.



## 5 Charging the battery

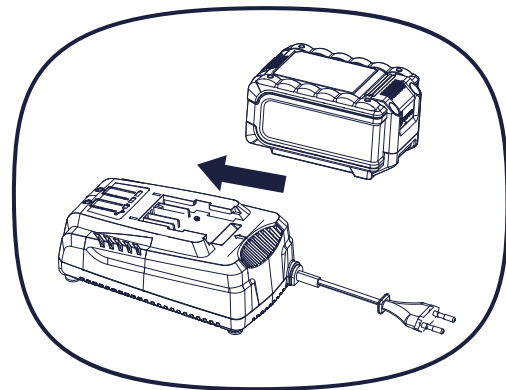
- i. Plug the charger into an appropriate AC power outlet.



- ii. Install the battery on the slot of charger.

**Preparation:** The charging process starts as soon as the mains plug of the battery charger is plugged into a mains socket and the battery is inserted into the charging compartment.









If the battery is not inserted, a continuous red light indicates that the mains plug is plugged into a mains socket and the battery charger is ready for operation.



**Charging:** a flashing green LED on the charger indicates that the battery is charging normally.

**Charged:** continuous green LED on the charger indicates that the battery is ready for use.

The indicator lights on the charger show the charger status:

Symbol	Indicator lights	Status
		red, flashing technical issue see instructions below
		red, continuous connected to power supply
		green, flashing charging
		green, continuous fully charged

The intelligent charger measures the charge level of the battery and charges the battery accordingly with the required current and voltage based on battery temperature and voltage. This ensure maximum battery life charge it fully before storage.

A flashing red LED light on the charger indicates that the battery temperature is not within the charging temperature range of -5°C– 50°C or the charging current is too high. As soon as the permitted temperature and the charging current ranges are reached, the battery charger will automatically switch to charging.

After continuous or repeated charging cycles without interruption, the charger may warm up. This is normal and does not indicate a technical defect of the battery charger.

Green LED flashing rapidly indicates that the battery voltage is low, the battery will receive an extended charge cycle approximately 30mins longer. This does not indicate a defect with the battery.

## 6 Check battery capacity

Push the power indicator to show remaining battery capacity.

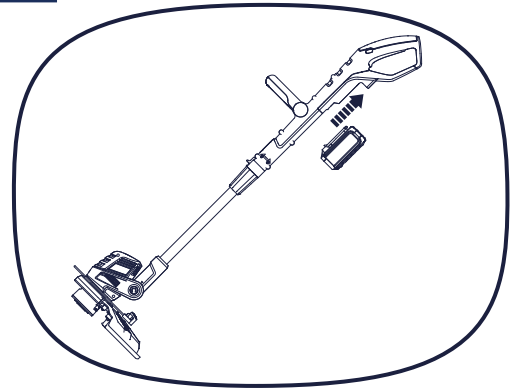
LED indicators on battery	Battery Capacity
Continuous lighting of 4 LEDs (inc 2 green)	Fully charged
Continuous lighting of 3 LEDs (inc 1 green)	≥ 50%
Continuous lighting of 2 LEDs (orange & red)	≥ 25%
Continuous lighting of 1 LED (red only)	≤ 25%. Recharge required.



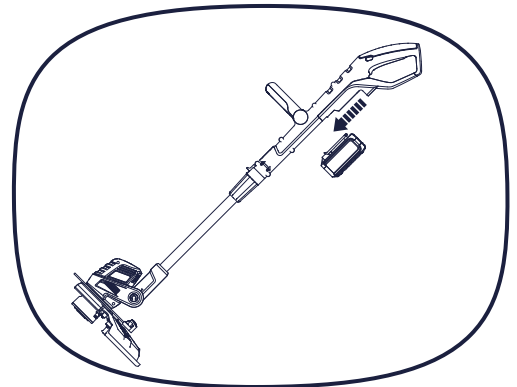
# PREPARE

## 1 Insert and remove battery Pack

i. Insert battery pack into the battery slot and ensure it clicks firmly into place.

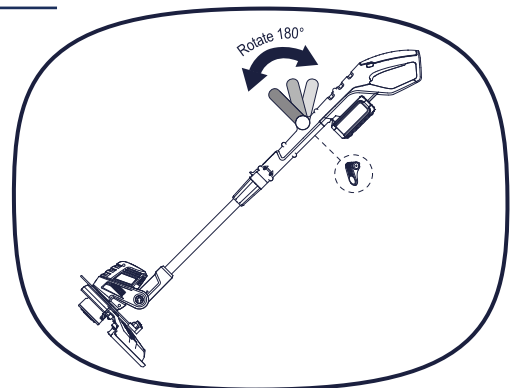


ii. To remove the battery back press the release button on the battery.



## 2 Adjusting the Front handle

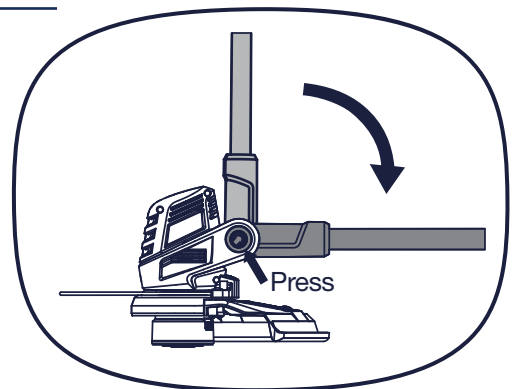
i. Release the clamp and rotate the handle to the desired position then lock the clamp.



## 3 Head angle Adjustment

Adjust the vertical angle of the trimmer head to fit the trimming conditions.

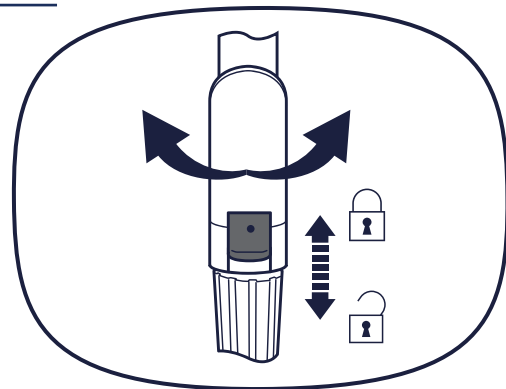
- i. Press the press head adjustment button.
- ii. Adjust the angle, up or down.
- iii. Release the button, make sure it locks in place.



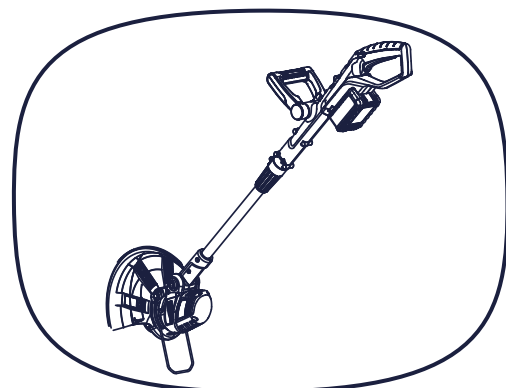
# PREPARE

## 4 Edge

i. Push the locking button forward and hold it in position.



ii. Twist the shaft 180 degree and allow automatically engage the lock as figure show.

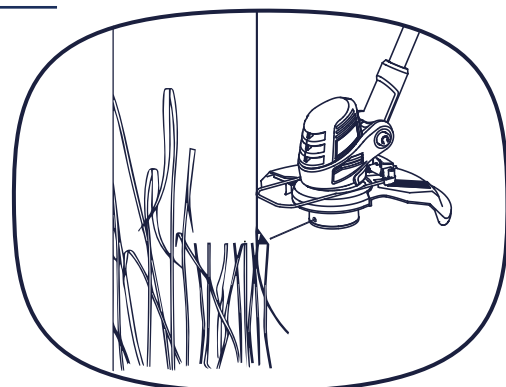


## 5 Plant protector

Use the plant protector to keep distance to plants like flowers, trees or other objects that could be hit by the cutting device.

i. Slide the plant protector out for trimming/edging operation.

ii. Slide the plant protector in for storage.



**WARNING!** Adjust the plant protector position only when the product is switched off and the cutting device is at a complete stop!



**WARNING!** Take care to have a look at the yellow warning label and rip off before use.

Take great care when doing this as there is a very sharp line trimming blade on the guard.

# OPERATE

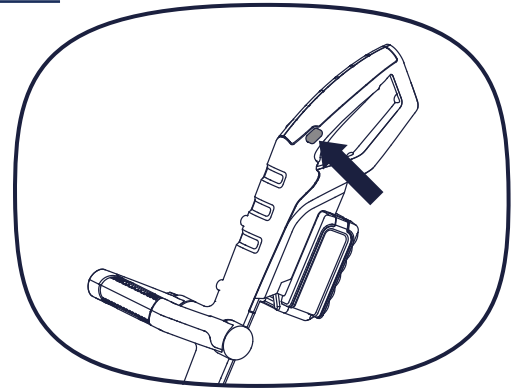
## 1 Switching on/off

- i. Push safety switch, and press the on/off switch to turn the product on.
- ii. Release the on/off switch to turn the product off.

### Automatic line feeding

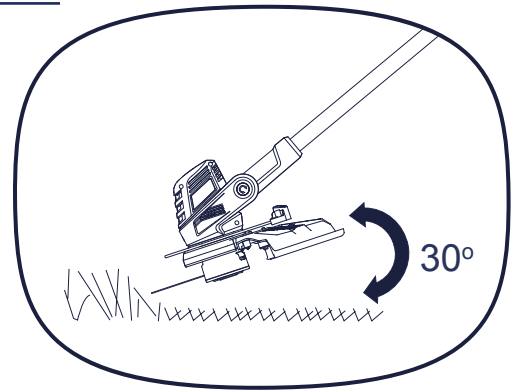
The equipment features a fully automatic single line system. The lines will automatically elongate every time you turn on the appliance. To support proper line elongation, ensure that the coil has stopped moving completely before turning on the appliance again.

The lines are automatically cut to the correct length by the line cutter.

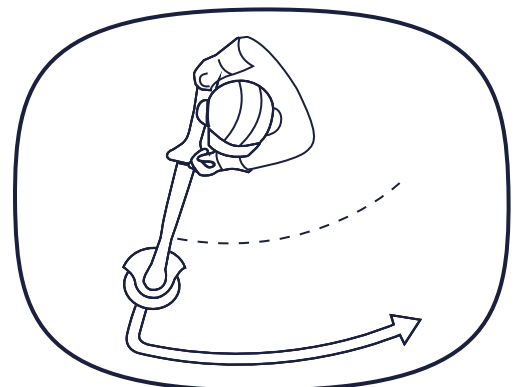


## 2 Trimming

- i. Ensure the knife protector label is removed before use. Ensure you wear gloves when removing this label.
- ii. Adjust the trimmer head angle to a proper position for trimming operation.
- iii. Hold the grass trimmer firmly, keeping your balance with feet slightly apart. Alter the height of the product if needed to ensure an upright posture.
- iv. Hold the trimmer head just above the ground at an angle of approximately 30°.

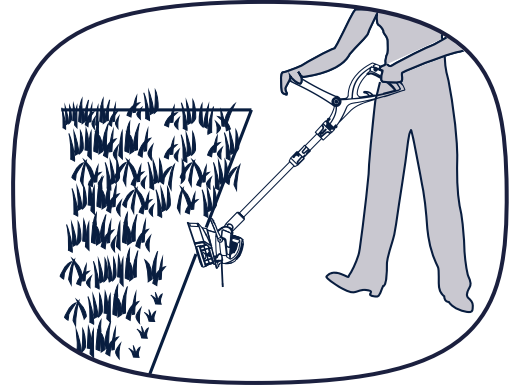


- v. Move the product slowly from side to side in a swinging motion.
- vi. Ensure the cutting device remains clean and free from off-cuts that may cause it to jam. Check regularly. Release the on/off switch and take the battery pack off before checking.



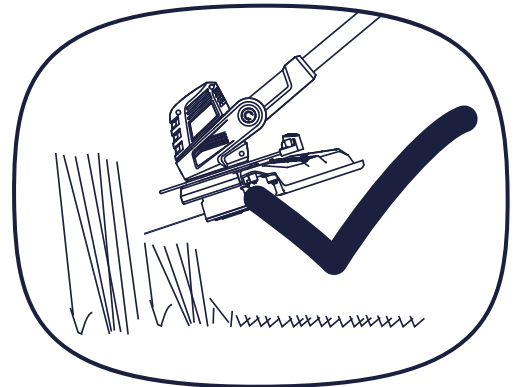
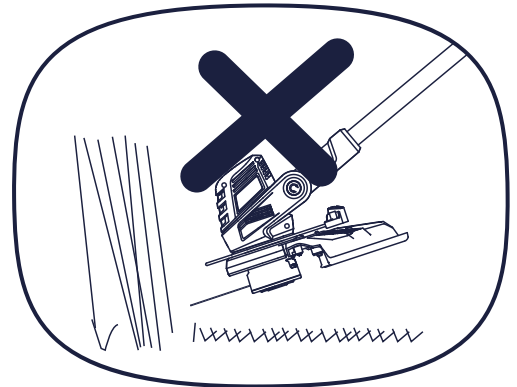
# OPERATE

- vii. Trim longer grass in stages; do not cut long grass in one cut. For the best results, cut longer grass in steps.
- viii. Place the trimmer along the edge of the lawn.
- ix. Turn product on and push the trimmer forward slowly.



## WARNING!

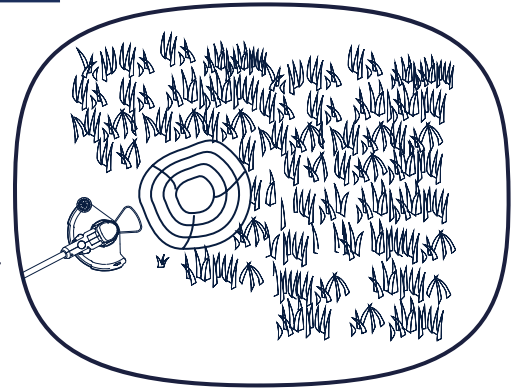
- Always fit the guard before using the product
- When cutting longer/high grass, please make sure that you cut this down in 2 to 3 stages.
- Do not cut long grass in one cut, as this will damage your grass trimmer, and make your warranty invalid.



## 3 Tips

- i. For best results, do not cut wet grass because it tends to stick to the cutting head and guard, prevents proper discharge of grass trimmings, and could cause you to slip and fall.
- ii. Do not allow the spool cover to drag on the ground or other surfaces.
- iii. Pay special attention when performing the work close to trees and bushes. The cutting head could damage sensitive bark, and damage fence posts.
- iv. Slide the plant protector out to avoid bringing the cutting device into contact with hard objects such as walls and curbstones.

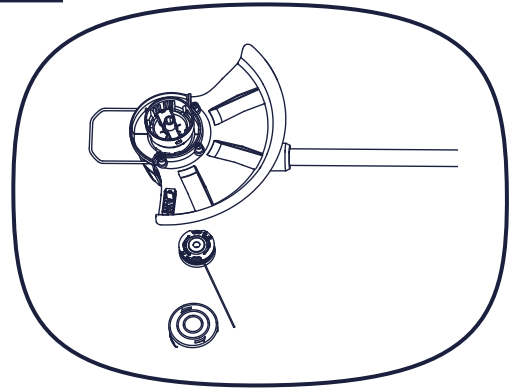
**NOTE:** The trimming line will wear faster and require more feeding if the cutting or edging is done along sidewalks or other abrasive surfaces or heavier weeds are being cut.



## Replacing the spool

**NOTE:** Before replace the spool, make sure the battery is disconnected from the unit.

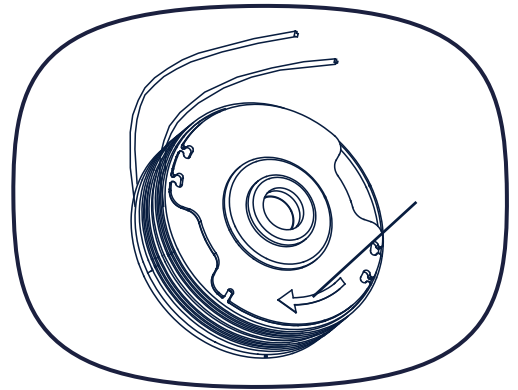
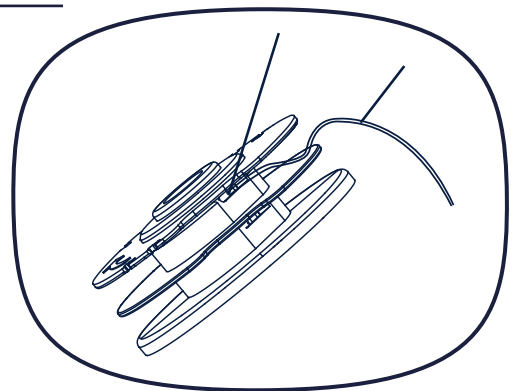
- i. Press together both locking device tabs on the spool cover and remove the cover.
- ii. Remove the old spool from the spool cover.
- iii. Clean out any dirt or grass residue.
- iv. Put the new spool in the spool housing, thread the line into the hole.



## Winding the line

**NOTE:** Should you wish to wind the line yourself, the instructions are provided below:

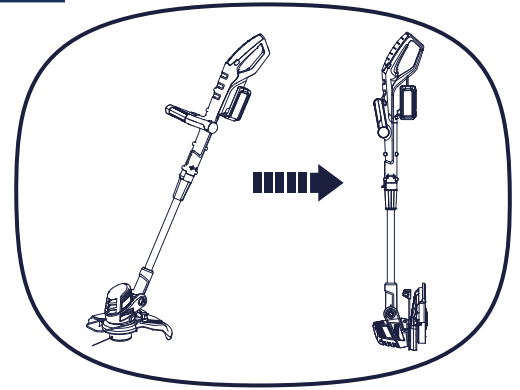
- i. Hold the loose ends of the line together with one hand, insert one end of the line into the groove on the spool.
- ii. Wind the line following the directional arrows on the spool housing and hook the two ends into the side grooves.



# MAINTENANCE

## Storage

- i. Store the product and its accessories in a dry, frost-free place.
- ii. Always store the product in a place that is inaccessible to children. The ideal storage temperature is between 10°C and 30°C.



## Transportation

- i. Switch the product off and take off the battery pack before transporting it anywhere.
- ii. Protect the product against scratching and secure it to avoid damage from impact.

## After use

- i. Switch the product off, take off the battery pack and let it cool down.
- ii. Check, clean and store the product as described below.

## Recycling and disposal

- i. Waste electrical products should not be disposed of with household waste. Please recycle where facilities exist. Check with your local authority or local store for recycling advice.
- ii. The product comes in a packaging that protects it against transportation damage. Keep hold of the packaging until you are sure that all the parts have been delivered and the product is functioning properly. Recycle the packaging afterwards.
- iii. To preserve natural resources, please recycle or dispose of batteries properly. This product contains a lithium-ion battery. Local, provincial or federal laws may prohibit disposal of lithium-ion batteries in ordinary trash. Consult your local waste authority for information regarding available recycling and/or disposal options.



## TECHNICAL DATA

Model	CLGT2425H
Voltage	24V ---
No load speed	9200/min
Cutting width	25cm
Cutting line dia.	1.6mm
Net weight	1.96kg
Vibrations	3.4m/s <sup>2</sup> K=1.7m/s <sup>2</sup>

Charger	
Model no.	24LFC12
Charger input	220-240V~ 50Hz,110W
Charger output	24V --- 4A
Charging period (battery fully discharged)	60min
Permitted charging temperature range (for charger)	-5°C~50°C
Weight of charger	0.6kg
Insulation protection of charger	<input type="checkbox"/>

Battery pack	
Battery model	24LB4005
Rated voltage of battery	24V ---
Battery type	Lithium-Ion
Capacity of battery	4.0Ah

Part number	
121003116	Spool
211033104	Battery
211002121	Charger



## TECHNICAL DATA

Measured sound pressure level  $L_{PA}$ : 80dB(A), K=3dB(A)

Measured sound power level  $L_{WA}$ : 88.4dB(A), K=2.48dB(A)

Guaranteed sound power level  $L_{WA}$ : 96dB(A)

The sound values have been determined according to noise test code given in EN 50636-2-91, using the basic standards EN ISO 11201 and EN ISO 3744.

The sound intensity level for the operator may exceed 80dB(A) and ear protection measures are necessary.

The declared vibration value has been measured in accordance with a standard test method (according to EN 50636-2-91) and may be used for comparing one product with another. The declared vibration value may also be used in a preliminary assessment of exposure.



**WARNING!** Depending on the actual use of the product the vibration values can differ from the declared total! Adopt proper measures to protect yourself against vibration exposures! Take the whole work process including times the product is running under no load or switched off into consideration!

Proper measures include among others regular maintenance and care of the product and cutting attachments, keeping hands warm, periodical breaks and proper planning of work processes!

# TROUBLESHOOTING

Suspected malfunctions are often due to causes that the user can fix themselves. Therefore, check the product using this section. In most cases the problem can be solved quickly.



**WARNING!** Only perform the steps described within these instructions! All further inspection, maintenance and repair work must be performed by an authorised service centre or a similarly qualified specialist if you cannot solve the problem yourself!

Gloves and appropriate protective clothing must be worn when performing these instructions. When inspecting the blade always remove the battery from the trimmer.

Fault	Possible Cause	Solution
Product does not start	Safety lock off not pressed. Battery pack not properly inserted	Press the safety lock off switch before switching on. Insert properly
	Battery pack discharged	Remove and charge battery pack
	Battery pack damaged	Contact the customer helpline
	Other electrical defect to the product	Check by a specialist electrician
Product does not reach full power	Battery pack capacity too low	Charge battery pack
	Air vents are blocked	Clean the air vents
Unsatisfactory result	Nylon line worn or damaged	Replace spool with a new one
No charging procedure possible	Battery contacts contaminated	Clean the battery contacts (e.g. by inserting and removing the battery several times) or replace the battery
The charge control LEDs do not light up after inserting the mains plug into the socket	Mains plug of battery charger not plugged in (properly)	Insert mains plug (fully) into the socket outlet
The charge control LEDs do not light up after inserting the mains plug into the socket	Socket outlet, mains cable or battery charger defective	Check the mains voltage and if necessary, contact the support helpline
The green LED flashing rapidly	Battery in a low voltage status and need activate	Wait patiently half hour, the battery will awake and return to normal charging process

# WARRANTY

If your device develops a fault, please don't hesitate to contact our customer service department on 03456 052 068, the majority of problems can be solved directly on the phone.

1. These warranty terms cover additional warranty rights and do not affect your statutory warranty rights. This product is covered by a 3 year manufacturer warranty.
2. Claims must be accompanied by proof of purchase. This must be in the form of a sales receipt or bank statement and must show that the product has been purchased within the warranty period as described under point 1, from the retailer that it was originally bought from. Please keep your receipt safe or staple it to the back of this manual for future reference.
4. Our devices have not been designed for commercial, trade or industrial applications, any signs of use of the equipment in these application or equivalent activities, invalidates the warranty.
5. The following are also excluded from our warranty:
  - A. Faults due to accidents, customer misuse or unauthorized repairs
  - B. Faults due to the use of incorrect consumable parts such as incompatible spools, nylon line, fixings and guards.
  - C. Failure due to lack of routine maintenance.
  - D. Failure as a result of not using the equipment in accordance with the manual and safety instructions

Warranty claims should be submitted before the end of the warranty period, see point 1. The original warranty period remains applicable to the device even if repairs are carried out or parts are replaced. In such cases, the work performed or parts fitted will not result in an extension of the warranty period, and no new warranty will become active for the work performed or parts fitted.

If you have any problems or questions concerning your garden power tool, please contact our after sales service at 03456 052 068.