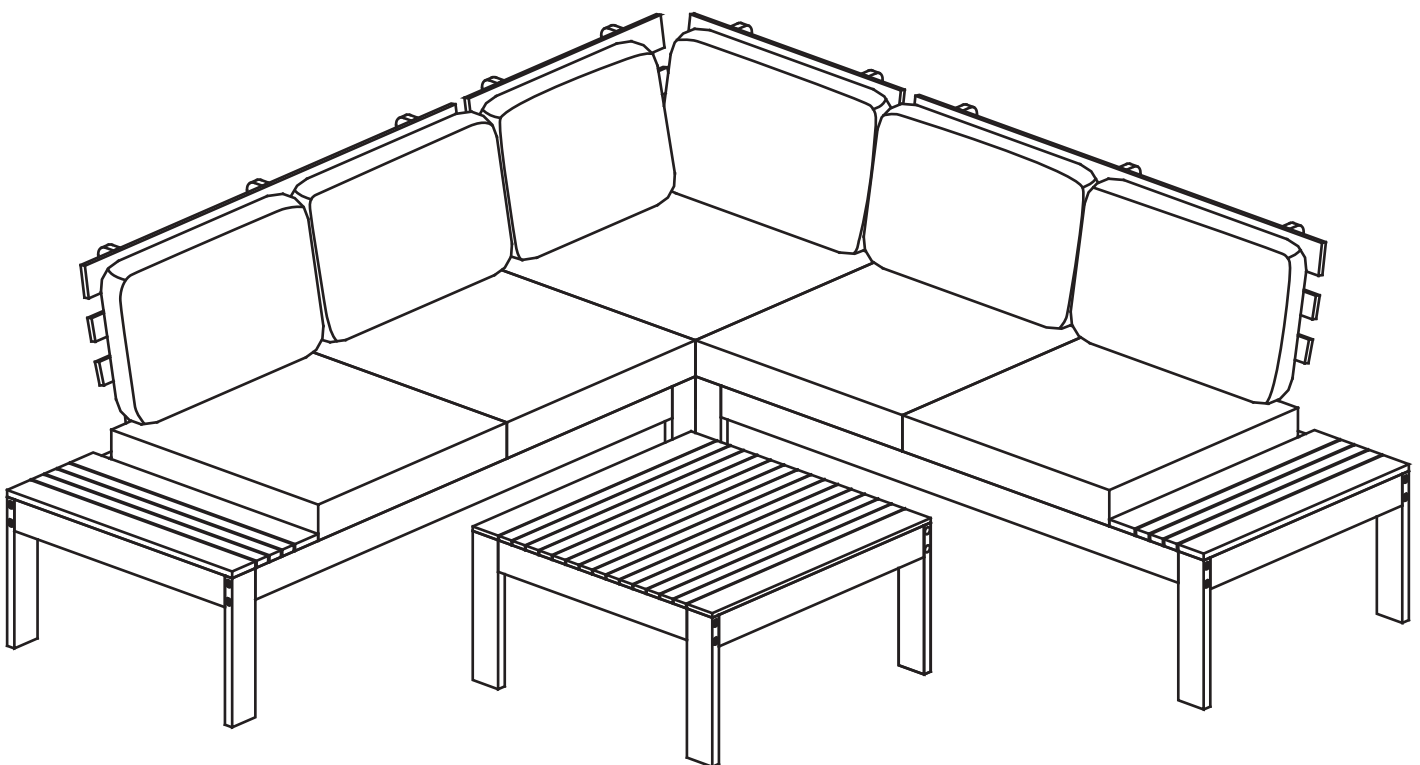


Wood Corner Set

Assembly Instructions - Please keep for future reference

792/5748



Dimensions

Corner Sofa

Width - 210cm (approx)

Depth - 210cm (approx)

Height - 76cm (approx)

Dimensions

Coffee Table

Width - 70cm (approx)

Depth - 70cm (approx)

Height - 34cm (approx)

Important - Please read these instructions fully before starting assembly

If you need help or have damaged or missing parts, call the **Customer Helpline: 0345 6400 800**



Safety and Care Advice

Important – Please read these instructions fully before starting assembly

- Check you have all the components and tools listed on the following pages.
- Remove all fittings from the plastic bags and separate them into their groups.
- Keep children and animals away from the work area, small parts could choke if swallowed.
- Make sure you have enough space to layout the parts before starting.

- During assembly do not stand or put weight on the product, this could cause damage.
- Assemble the item as close to its final position (in the same room) as possible.
- Assemble on a soft level surface to avoid damaging the unit or your floor.
- Parts of the assembly will be easier with 2 people.



power drill is set on a low torque setting.

- To reduce the likelihood of damaging your product please ensure that your



- Table max.weight capacity : 25 KG

- Sofa max.weight capacity : 110 KG per seat

Care and maintenance

- Only clean using a damp cloth and mild detergent, do not use bleach or abrasive cleaners.
- Outdoor fair weather and domestic use only.

- From time to time check that there are no loose screws on this unit.

- This product should not be discarded with household waste. Take to your local authority waste disposal centre.

Handy Hints

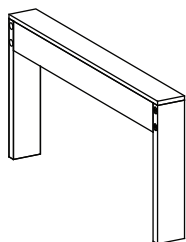
- Assemble all parts and bolts loosely during assembly, only once the product is complete should you fully tighten the bolts.

- Regularly check and ensure that all bolts and fittings are tightened properly.

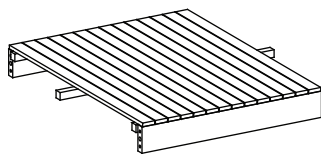
Components - Parts

If you have damaged or missing components, call the **Customer Helpline: 0345 6400 800**

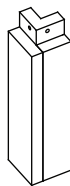
Please check you have all the parts listed below



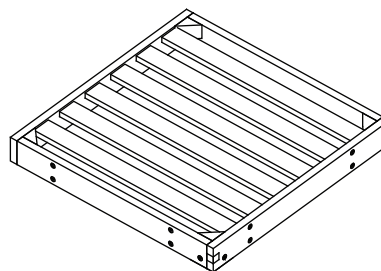
1 Table leg x2



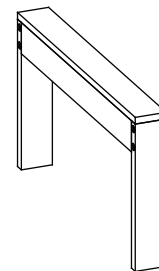
2 Table top x1



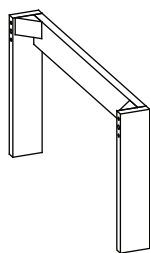
3 Corner Leg x1



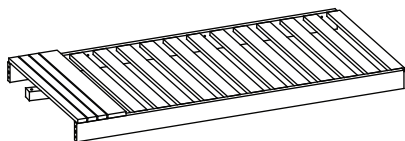
4 Corner sofa seat x1



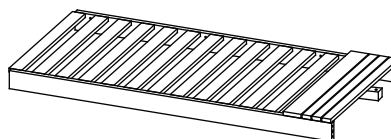
5 Left leg x2



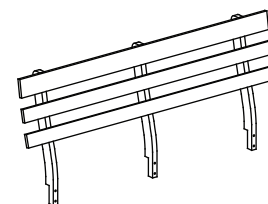
6 Right leg x2



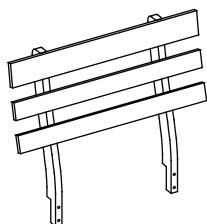
7 Left Sofa Seat x1



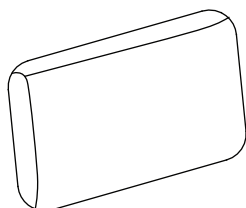
8 Right Sofa Seat x1



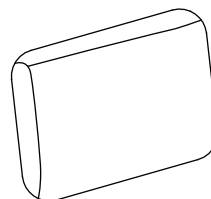
9 Large backrest x2



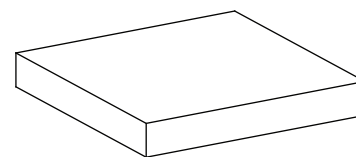
10 Small backrest x2



11 Large back cushion x5



12 Small back cushion x1

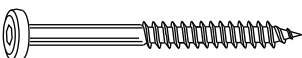


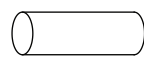
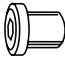
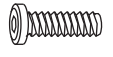
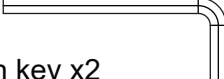


13 Seat cushion x5

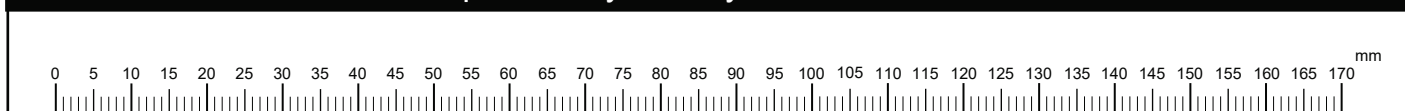
Components - Fittings

Please check you have all the fittings listed below

Note: The quantities below are the correct amount to complete the assembly. In some cases more fittings may be supplied than are required.

<p>A </p> <p>110mm Screw x24</p>	<p>B </p> <p>35mm Bolt x4</p>	<p>C </p> <p>40mm Bolt x20</p>	<p>D </p> <p>Wood dowel x12</p>
<p>E </p> <p>13mm Nut x2</p>	<p>F </p> <p>25mm Bolt x2</p>	<p>G </p> <p>Allen key x2</p>	

Ruler - Use this ruler to help correctly identify the screws



Assembly Instructions

Step 1

Assembling the table

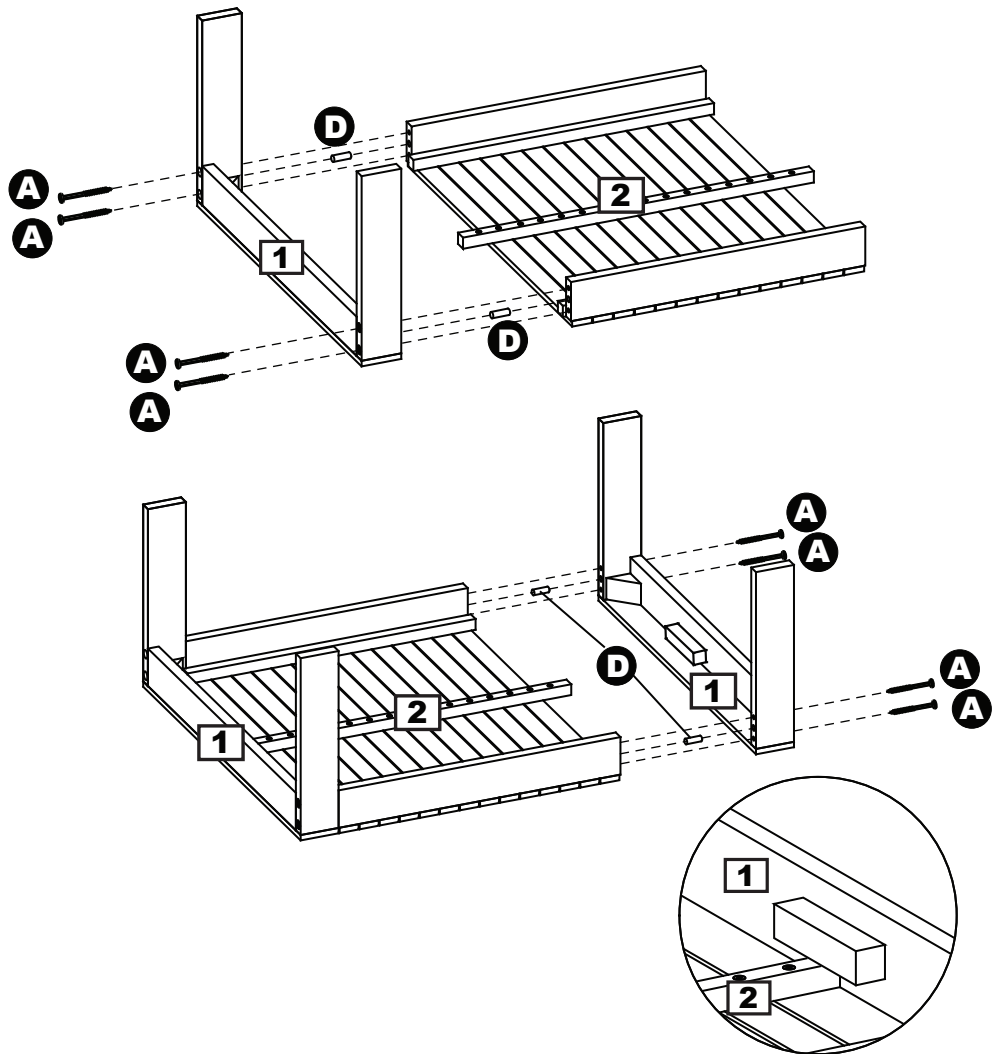
Place the table top **2** on a flat surface.

Insert wood dowels **D** into both sides of the leg **1**.

Attach the leg **1** to the top panel **2** using screws **A**.

Tighten screws with Allen key **G**.

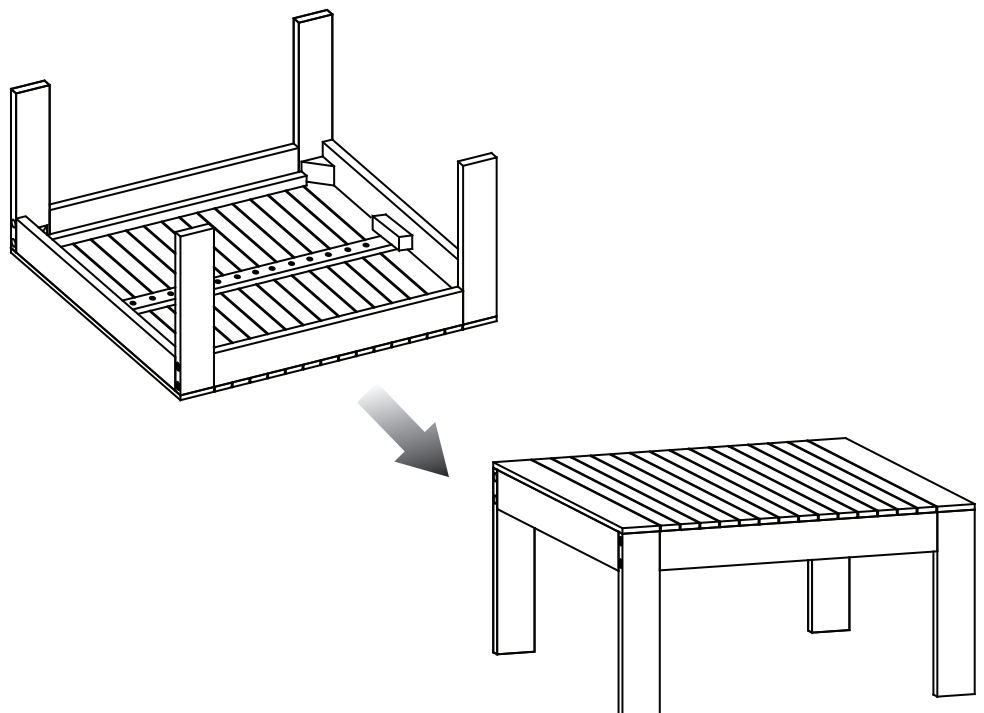
Repeat the procedures to assemble the other table leg.



Step 2

Assembling the table

Carefully turn the table over into an upright position.

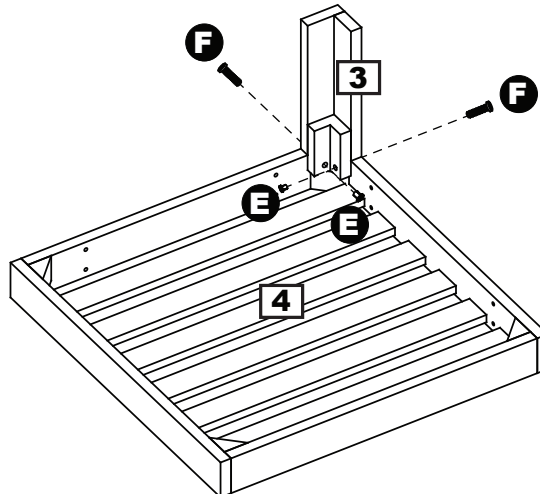


Assembly Instructions

Step 3

Attaching the corner leg

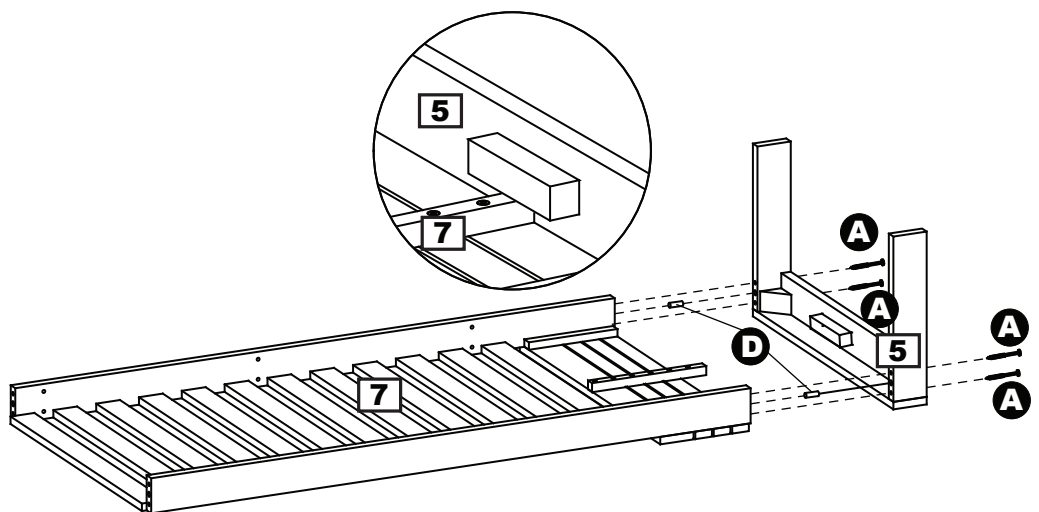
Attach the corner leg **3** to the corner sofa seat **4**, using bolts **F**, nuts **E**. Tighten bolts with Allen key **G**.



Step 4

Assembling the left sofa

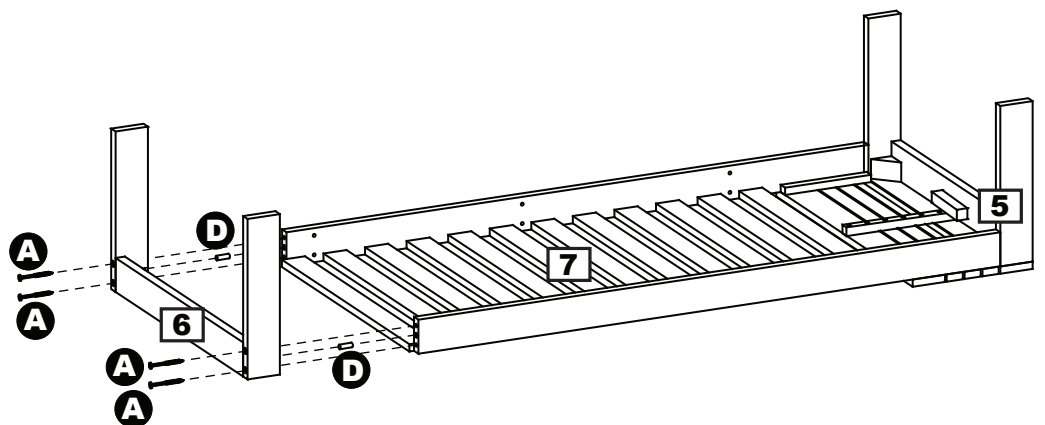
Attach sofa leg **5** to the sofa seat **7**, using wood dowels **D**, screws **A**. Tighten screws with the Allen key.



Step 5

Assembling the left sofa

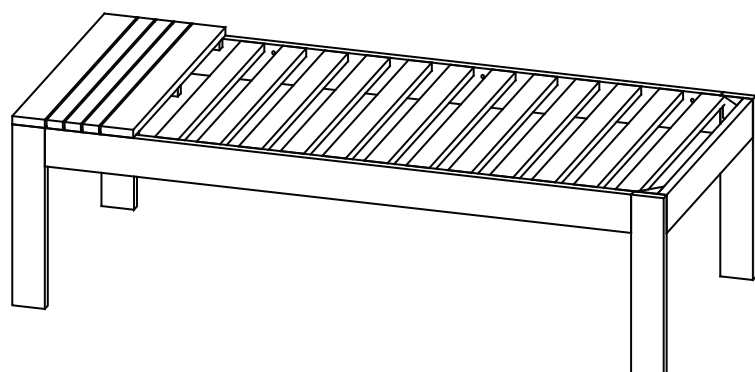
Attach sofa leg **6** to the sofa seat **7** using wood dowels **D**, screws **A**. Tighten screws with the Allen key.



Step 6

Assembling the left sofa

With helps, carefully turn the left sofa over into an upright position.

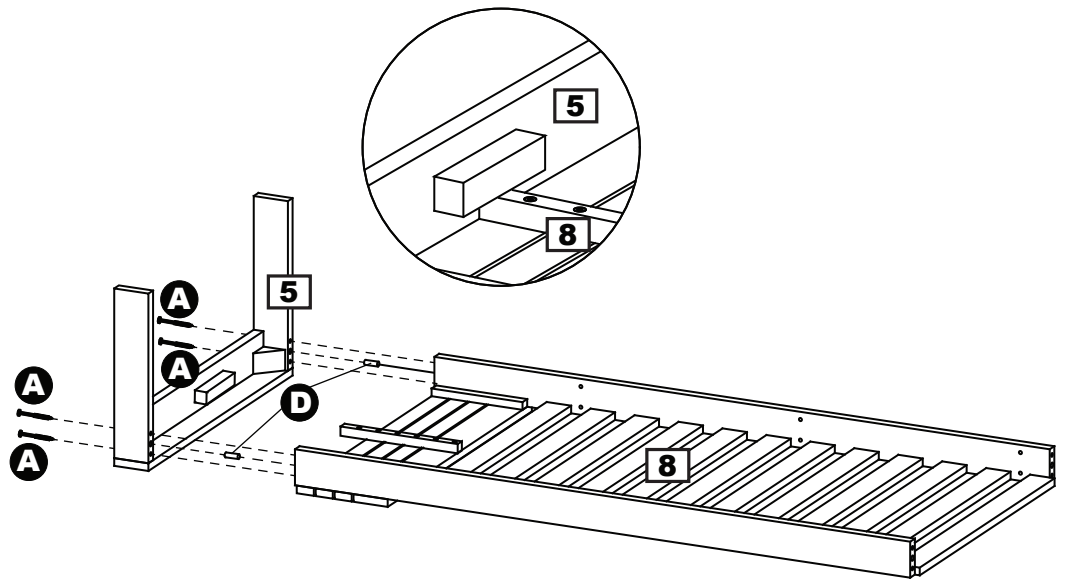


Assembly Instructions

Step 7

Assembling the right sofa

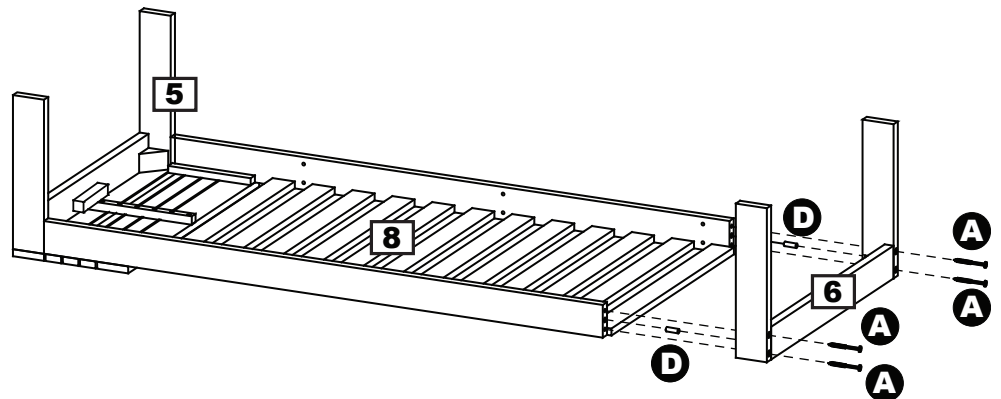
Attach the sofa leg **5** to the sofa seat **8**, using wood dowels **D**, screws **A**. Tighten screws with the Allen key.



Step 8

Assembling the right sofa

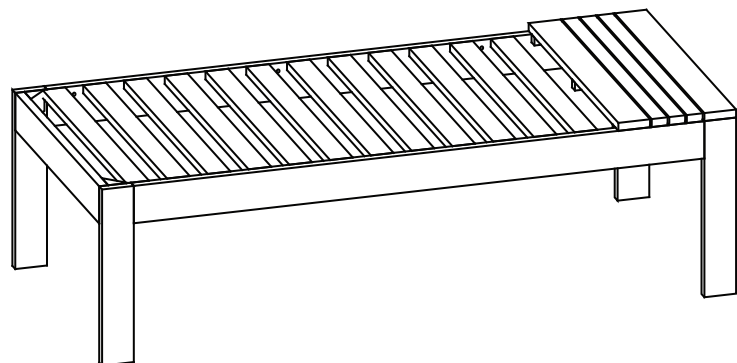
Attach the sofa leg **6** to the sofa seat **8** using wood dowels **D**, screws **A**. Tighten screws with the Allen key.



Step 9

Assembling the right sofa

With help, carefully turn the right sofa over into an upright position.



Assembly Instructions

Step 10

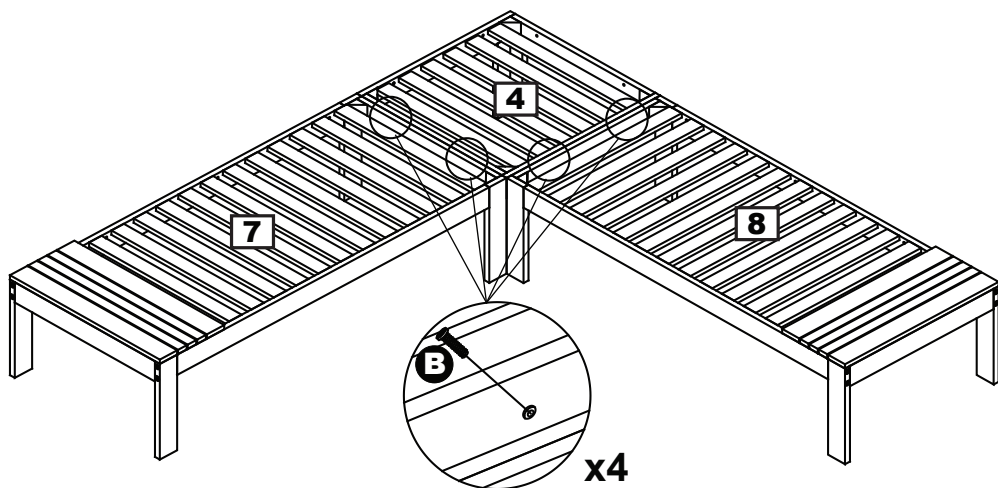
Attaching the left sofa, corner sofa and right sofa.

Attach the left sofa and the right sofa to the corner sofa using bolts **B**.

Tighten bolts with the Allen key.



Warning:
The sofa is heavy.
Lift with care.

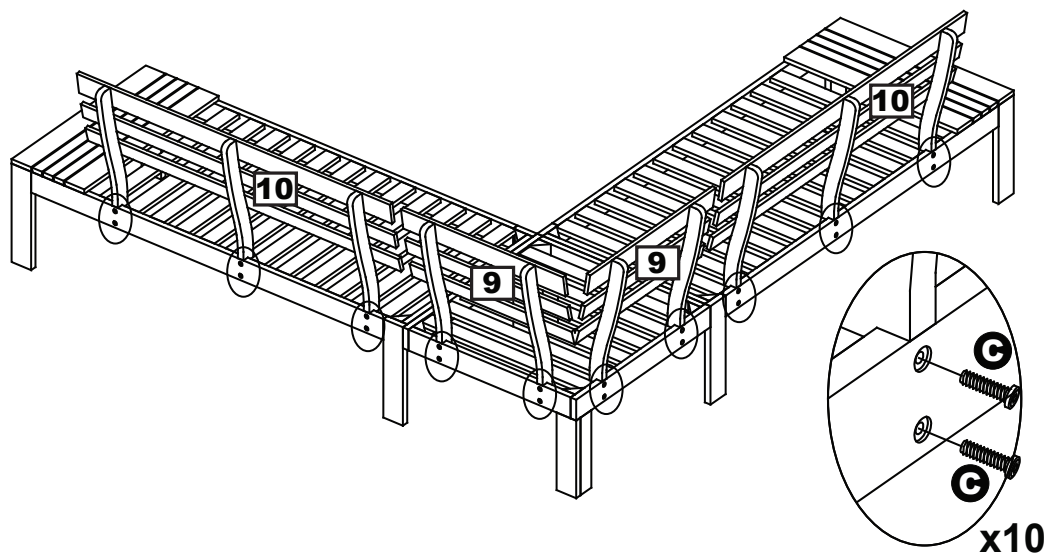


Step 11

Attaching the backrests

Attach small backrests **9**, large backrests **10** to the sofa seat using bolts **G**.

Tighten bolts with the Allen key.



Step 12

Placing the seat cushions and back cushions

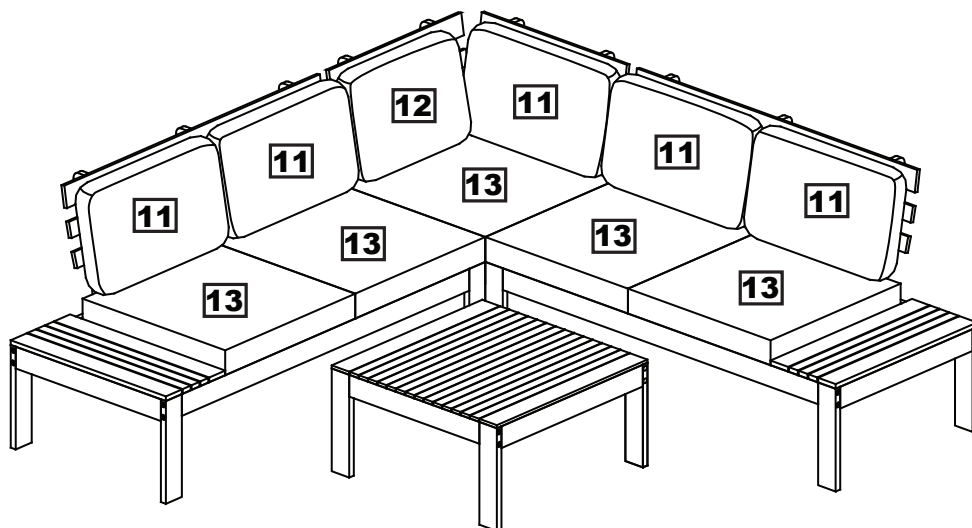
With help, carefully put all the units in position.

Place seat cushions **13**, back cushions **11**, **12** onto the sofa as shown.



Warning:
The sofa is heavy.
Lift with care.

Assembly is complete.



If you need help or have damaged or missing parts, call the **Customer Helpline: 0345 6400 800**

Important, Retain for Future Reference: Read Carefully !

Care Instructions for wooden furniture

IMPORTANT

As your furniture has been boxed since manufacture there may be a slight oil residue on the pieces which will dry when it is left in the air. Care should be taken when assembling and using the furniture in the first couple of days particularly if light coloured clothes are worn. Hardwood has a varied texture which absorbs oil at different rates. This may mean there are some paler dry patches. If this is the case then apply a little oil as directed in the care instructions below.

Use of Wood Furniture

- This furniture has been made for the garden and is not suitable for indoor use or conservatories. If positioned on grass the legs may absorb moisture which could cause deterioration. The sunlight will make the colour of the wood mellow with time even if it is oiled.
- Never place hot dishes directly on to the wood as they will mark the surface.
- Wipe up spills immediately as the oiled surface is more susceptible to stains than a lacquered finish and the wood will absorb moisture causing the grain to rise slightly.
- Take care when moving furniture and never drag pieces as this will cause damage to the joints.
- To ensure the longevity of your garden furniture it is advised that it is covered when not in use and that it is stored in a garage or shed over the winter months. Ensure furniture is dry before storing.

Care Instructions.

- In the first three months the furniture should be oiled monthly with a hardwood garden furniture oil using a lint free cloth, paying particular attention to the ends of the legs and slats as they are more absorbent.
- After the first three months, the furniture should be oiled once a year as it is brought out at the beginning of the spring summer season and whenever the surface is looking dry. The wood will gradually change colour to a silvery grey and the surface will become rough. Regular oiling will help to minimise cracking but won't eliminate it. Cracking of the timber does not affect the durability of the product.
- Do not use oils sold for cooking or eating as they will leave a sticky film.
- If the surface of the furniture becomes slightly stained or damaged with use, then it can often be removed by sanding gently with fine sandpaper then re-oiling. If the stain or damage is more serious then we recommend that professional help is obtained.
- Please check the fixings are all tight when you put the furniture out each year, as the wood may expand or contract slightly.

Please retain for future reference.