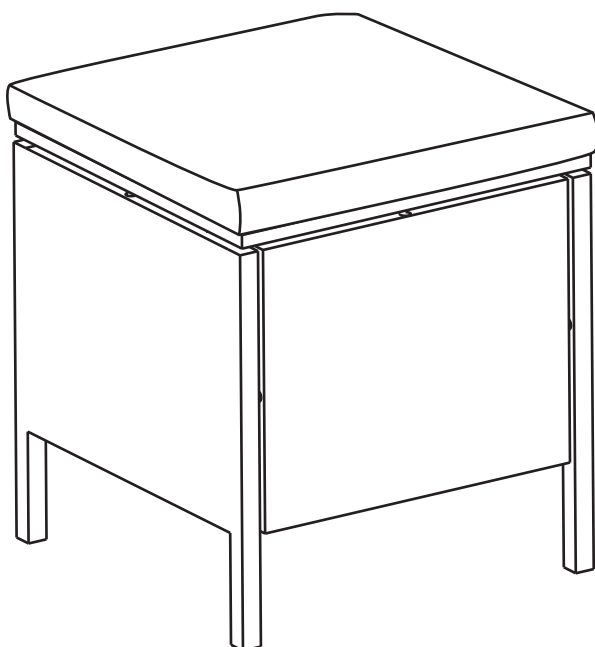


High Back Sofa Set - Stool

Assembly Instructions - Please keep for future reference

743/7377



Dimensions

Width - 36cm

Depth - 36cm

Height - 36cm



Important: Do not fully tighten all screws until assembly is complete.

Important – Please read these instructions fully before starting assembly

If you need help or have damaged or missing parts, call the

Customer Helpline: Argos = 0345 6400800

For further assistance please visit <http://www.argos-support.co.uk>

Address: 489-499 Avebury Boulevard Saxon Gate West, Central Milton Keynes Bucks, MK9, 2NW



Safety and Care Advice

Important – Please read these instructions fully before starting assembly

- This product is manufactured from toughened safety glass. In the unlikely event that the glass fails it will break into a large number of small fragments that may be spread over a wide area. This is a feature of toughened glass, designed to remove the risk of injury from glass breaking into large shards.
- If the glass is chipped or broken, stop using the product and consult the manufacturer or supplier.
- Check you have all the components and tools listed on page 2.

- Remove all fittings from the plastic bags and separate them into their groups.
- Keep children and animals away from the work area, small parts could choke if swallowed.
- Make sure you have enough space to layout the parts before starting.
- Do not stand or put weight on the parts during assembly, this could cause damage.
- Assemble on a soft level surface to avoid damaging the unit or your floor.



• We do not recommend the use of power drill/drivers for inserting screws, as this could damage the unit, only use hand screwdrivers.

- Dispose of all packing carefully and responsibly.
- Do not sit or stand on this table.
- Do not place very hot or very cold items on the glass.
- **Warning:** The unit weight approximately 3.5kgs.

Please lift with care.

Care and maintenance

- Wash glass with mild soap and water, rinse thoroughly, and dry glass completely.
- We recommend the use of furniture covers when not in use.

- Do not use the glass as chopping surface. Do not strike the glass with hard or pointed items.
- In order to prolong the life and your

table, we recommend it be stored in a dry and protected area during off season periods.

- Do not use washing powders or any abrasive substances which may scratch the surface.



Friendly Tips

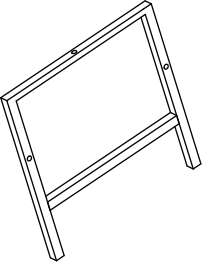
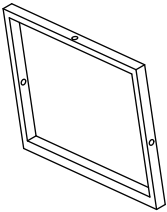
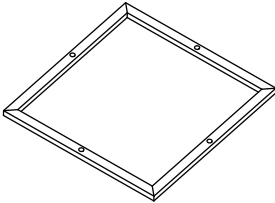
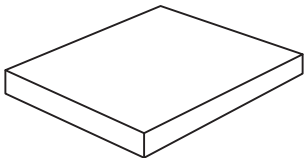
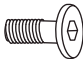


- Do not fully tighten all screws until assembly is complete.
- Make sure the assemble will be easier with 2 people.

Components - Parts & Fittings

If you have damaged or missing components, call the **Customer Helpline: Argos = 0345 6400800**

Please check you have all the parts & fittings listed below

Note: The quantities below are the correct amount to complete the assembly. In some cases more fittings may be supplied than are required.

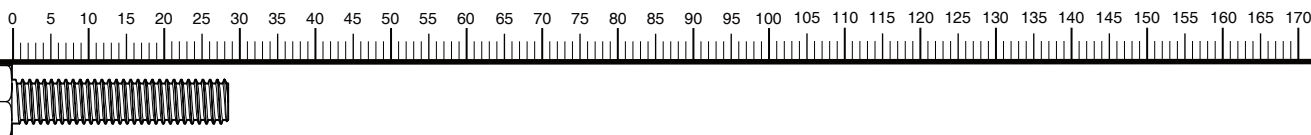
<p>1</p>  <p>Stool Leg x 2</p>	<p>2</p>  <p>Support x 2</p>	<p>3</p>  <p>Stool Top x 1</p>
<p>4</p>  <p>Cushion x 1</p>	<p>C</p>  <p>M6X25 Screw x 8</p>	<p>D</p>  <p>Washer x 8</p>
<p>E</p>  <p>Screw Cap x 8</p>		

Tools Provided



F Allen key x 1

Ruler - Use this ruler to help correctly identify the screws



Assembly Instructions

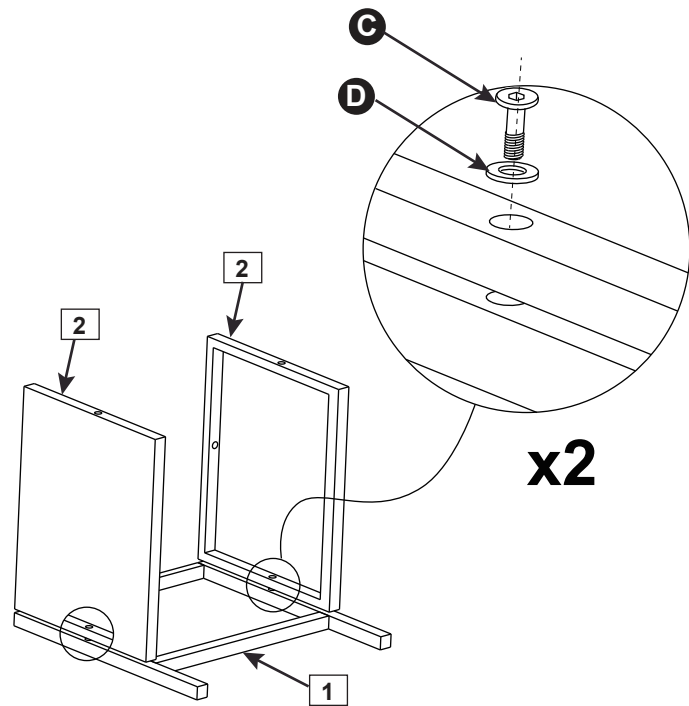
Step 1

Use screws **C** and washers **D** to fix the support **2** onto the stool leg **1**.

Repeat above steps to assemble the other support.

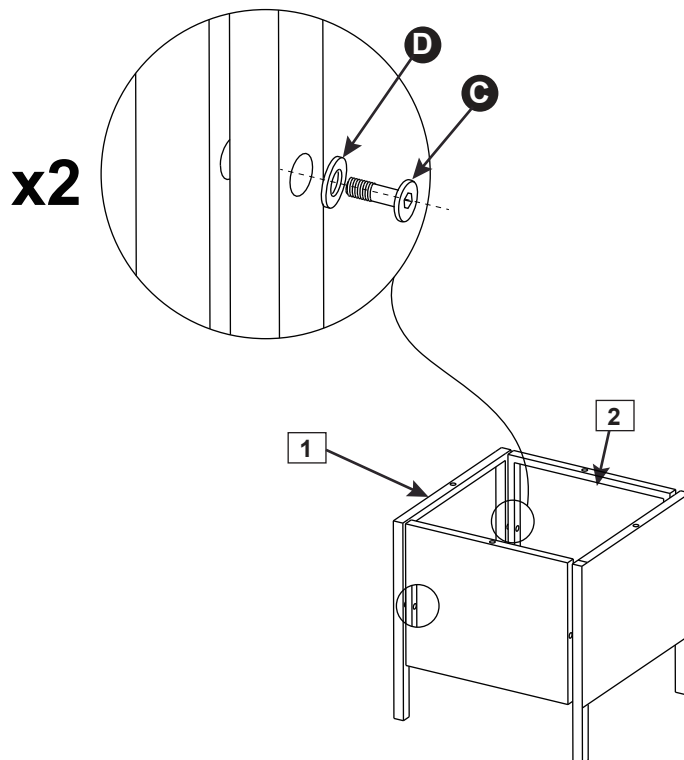


Important: Do not fully tighten all screws until assembly is complete.



Step 2

Use screws **C** and washers **D** to fix the stool leg **1** onto the supports **2**.

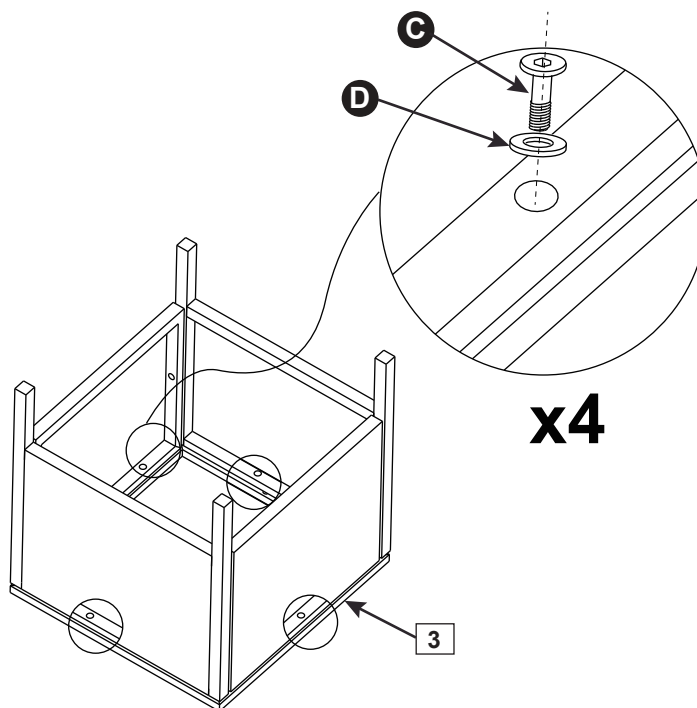


Important: Do not fully tighten all screws until assembly is complete.

Assembly Instructions

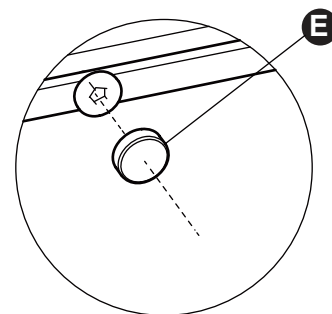
Step 3

Use screws **C** and washers **D** to fix the stool top **3** onto the stool leg **1** and the support **2**.

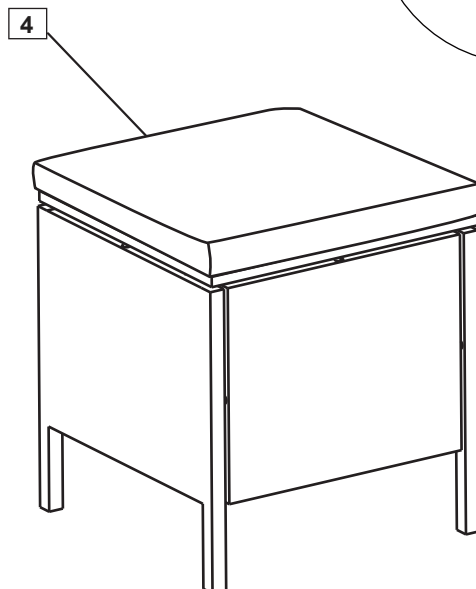


Step 4

Tighten all the screws and cover all the screws **C** with the caps **E**.



Put the cushion **4** onto the stool.



Assembly is complete

If you need help or have damaged or missing parts, call the

Customer Helpline: Argos = 0345 6400800

For further assistance please visit <http://www.argos-support.co.uk>

Address: 489-499 Avebury Boulevard Saxon Gate West, Central Milton Keynes Bucks, MK9, 2NW