



HOVER

HOBS

USER INSTRUCTIONS

GB - IE

TABLES DE CUISSON

NOTICE D'EMPLOI

FR

VARNÉ DESKY

NÁVOD POUŽITÍ

CZ

UND BEDIENUNGSANLEITUNG

INSTALLATIONS

DE

ENCIMERAS

INSTRUCCIONES DE USO

ES

INSTRUKCJE

UŻYCIA I MONTAŻU

PL

ANKASTRE OCAK

KULLANIM KLAVUZU

TR

ВАРОЧНЫЕ ПОВЕРХНОСТИ

ИНСТРУКЦИЯ ПОЛЬЗОВАТЕЛЯ

RU

NAVODILA ZA UPORABO

VGRADNJO IN PRIKLJUČITEV

SL

PIANI COTTURA

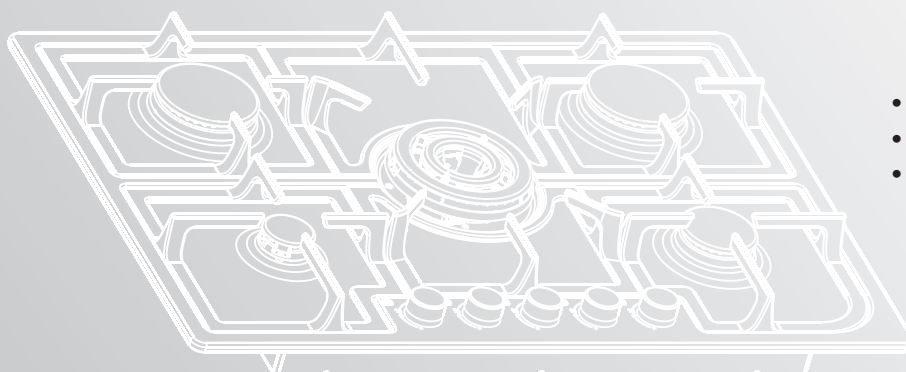
ISTRUZIONI PER L'USO

IT

PLACAS

INSTRUÇÕES DE UTILIZAÇÃO

PT



- HGH 64
- HGH 74
- HGH 75

CONTENT	GB - IE
Safety Instructions	05
1. Instructions For The Installer	06
1.1. Bulding In	06
1.2. Suitable Location	06
2. Electrical Connection (For U.K. Only)	06
2.1. Electrical Connection	06
2.2. Gas Connection (For U.K. Only).....	07
2.3. Adapting The Hob To Different Types Of Gas	07
2.4. Regulating The Minimum Flame	07
3. Use Of Hob - User Instructions	07
3.1. Using The Gas Burner	07
4. Maintenance and Cleaning	07
5. Aftercare	07
6. Protection Of The Environment	08

OBSAH	CZ
Bezpečnostní Pokyny	13
1. Pokyny pro instalatéra	14
1.1 Vestavba	14
1.2 Vhodné místo instalace	14
2.1. Připojení k elektrické síti	14
2.2. Připojení plynu	14
2.3. Změna varné desky na jiný druh plynu	15
2.4. Nastavení minimálního plamene	15
3. Použití varné desky	15
3.1. Použití plynového hořáku	15
4. Údržba a čištění	15
5. Servis	15
6. Ochrana životního prostředí	15

CONTENIDO	ES
Instrucciones Para Un Uso Seguro	21
1. Instrucciones Para El Instalador	22
1.1 Integración	22
1.2 Ubicación Ideal	22
2.1 Conexión Eléctrica	22
2.2 Conexión Del Gas	22
2.3 Adaptación De La Placa A Distintos Tipos De Gas	23
2.4 Regulación De La Llama Mínima	23
3. Utilización De La Placa Instrucciones Para El Usuario	23
3.1 Utilización Del Quemador De Gas	23
4. Mantenimiento Y Limpieza	23
5. Servicio Técnico	23
6. Protección Del Medioambiente	24

İÇİNDEKİLER	TR
Güvenlik Talimatları	29
1. Kurulum Talimatları	30
1.1. Ankastré Montaj	30
1.2. Uygun Yer Tespiti	30
2.1. Elektrik Bağlantısı	30
2.2. Gaz Bağlantısı	30
2.3. Ocağın Farklı Gaz Türlerine Uyarlanması	31
2.4. Minimum Alevin Ayarlanması	31
3. Ocak Kullanımı Kullanım Talimatları	31
3.1. Gazlı Ocak Gözlerinin Kullanımı	31
4. Bakım Ve Temizlik	31
5. Satış Sonrası Servis	31
6. Çevrenin Korunması	32

VSEBINA	SL
Varnostna Navodila	38
1. Vgradnja In Priključitev	39
1.1. Vgradnja	39
1.2. Ustrezen Prostor	39
2.1. Priključitev Na Električno Omrežje	39
2.2. Priključitev Plina	39
2.3. Prilaganje Kuhalne Plošče Za Drugo Vrsto Plina	39
2.4. Nastavljanje Minimalnega Plamena Gorilnika	40
3. Uporaba Kuhalne Plošče Navodila Za Uporabnika	40
3.1. Uporaba Gorilnikov	40
4. Vzdrževanje In Čiščenje	40
5. Servisiranje	40
6. Protection De L'environnement	40

CONTENU	FR
Conseils De Sécurité	09
1. Installation	10
1.1 Encastrement	10
1.2. Caractéristiques Requises	10
2.1. Raccordement Electrique	10
2.2. Raccordement Gaz	11
2.3. Adapter La Table A Differents Types De Gaz	11
2.4. Regular La Flamme Au Minimum	11
3. Utilisation De La Table	11
3.1. Using The Gas Burner	11
4. Maintenance Et Entretien	11
5. Assistance Technique	11
6. Protection De L'environnement	12

INHALT	DE
Sicherheitsvorschriften	17
1. Installationsanweisung	18
1.1 Einbau	18
1.2. Geeigneter Standort	18
2.1. Elektrischer Anschluss	18
2.2. Gasanschluss	18
2.3. Umstellung Auf Eine Andere Gasar	19
2.4. Einstellen Der Gasmindestzufuhr	19
3. Bedienungsanleitung	19
3.1. Inbetriebnahme Der Brenner	19
4. Wartung Und Reinigung	19
5. Technischer Kundendienst	19
6. Umweltgerechte Entsorgung	20

SPIS TREŚCI	PL
Instrukcje Bezpieczeństwa	25
1. Instrukcje Dla Instalatora	26
1.1 Zabudowa	26
1.2 Odpowiednie Pomieszczenie	26
2.1 Podłączenie Do Sieci Elektrycznej	26
2.2 Podłączenie Do Gazu	26
2.3 Przystosowanie Płyty Do Różnych Rodzajów Gazu	27
2.4 Regulacja Płomienia Minimalnego	27
3. Użytkowanie Płyty - Instrukcje Dla Użytkownika	27
3.1 Używanie Palników Gazowych	27
4. Czyszczenie I Konserwacja	27
5. Obsługa Serwisowa	28
6. Ochrona Środowiska	28

СОДЕРЖАНИЕ	RU
ПРАВИЛА ТЕХНИКИ БЕЗОПАСНОСТИ	34
1. Инструкции по выполнению установки	35
1.1. Встраиваемые варочные поверхности	35
1.2. Выбор места для установки варочной поверхности	35
2. Подключение к электросети (только для Великобритании)	35
2.1. Подключение к электросети	35
2.2. Подключение к линии газоснабжения (только для Великобритании)	35
2.3. Адаптация варочной поверхности на другие типы газа	36
2.4. Регулировка минимального пламени	36
3. Инструкции по эксплуатации варочной поверхности	36
3.1 использование газовой конфорки	36
4. Обслуживание и чистка	37
5. Послепродажное обслуживание	37
6. Защита окружающей среды	37

INDICE	IT
Indicazioni Di Sicurezza	42
1. Istruzioni Per L'installatore	43
1.1. Installazione	43
1.2. Locazioni Consigliate	43
2.1. Connessione Elettrica	43
2.2. Connessione Gas	43
2.3. Adattare Il Piano Cottura Con Diversi Tipi Di Gas	44
2.4. Regolare Il Minimo Della Fiamma	44
3. Uso Del Piano - Istruzioni Utente	44
3.1. Uso Del Bruciatore Gas	44
4. Manutenzione E Pulizia	44
5. Ripristino	44
6. Rispetto Dell'ambiente	44

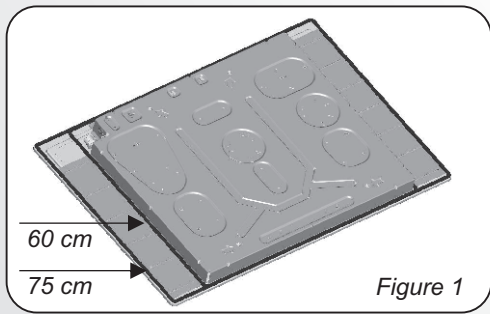


Figure 1

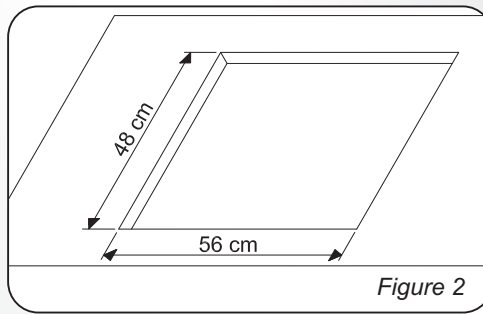


Figure 2

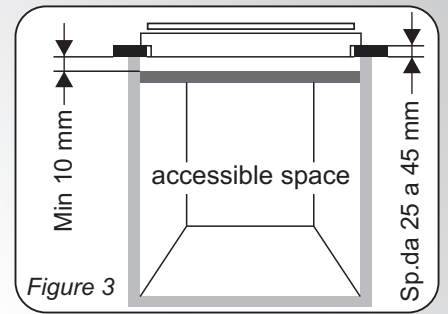


Figure 3

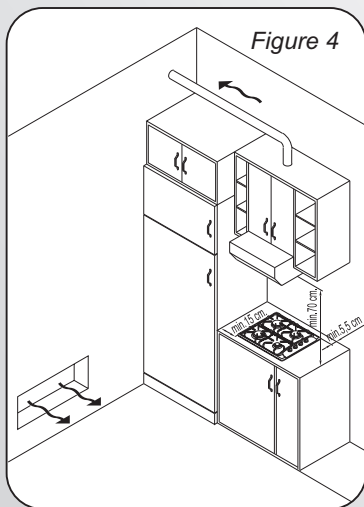


Figure 4

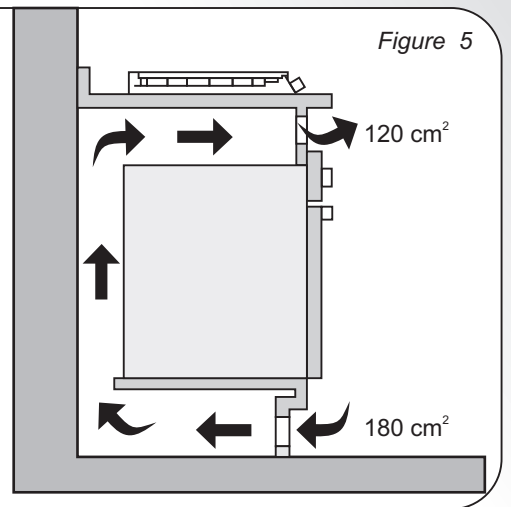
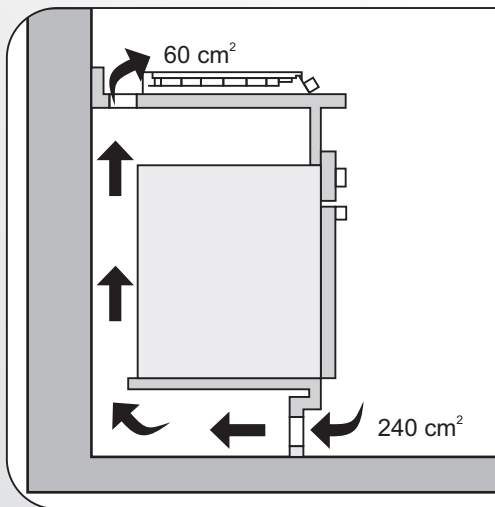


Figure 5

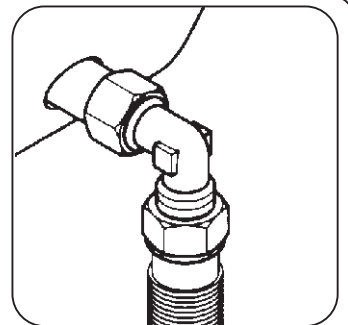
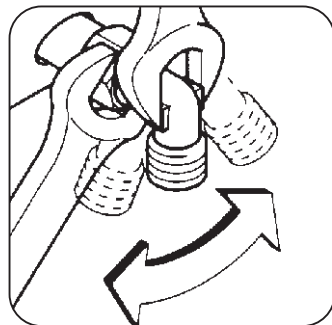
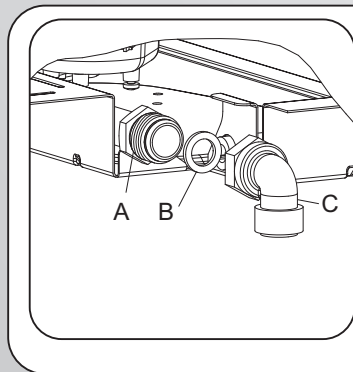


Figure 6

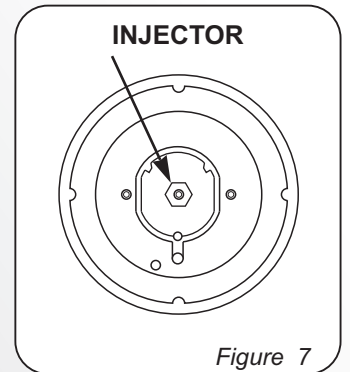


Figure 7

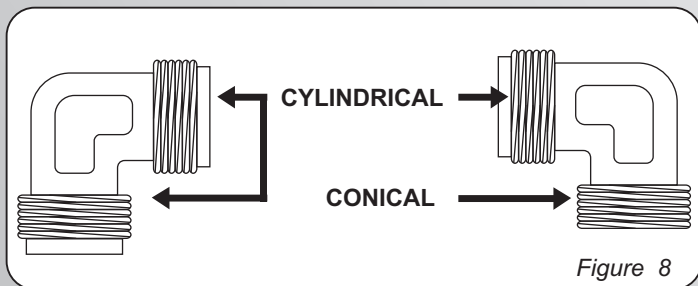


Figure 8

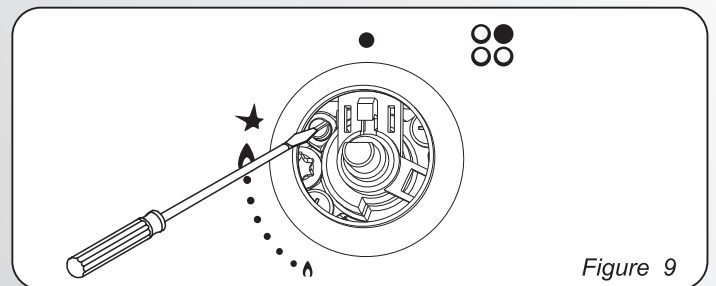


Figure 9

SAFETY INSTRUCTIONS

WARNING: The appliance and its accessible parts become hot during use. Care should be taken to avoid touching heating elements.

- Children under 8 Year of age must be kept away from the appliance unless they are continuously supervised.
- This appliance can be used by children aged from 8 years and above and persons with reduced physical, sensory or mental capabilities or lack of experience and knowledge if they have been given supervision or instruction concerning use of the appliance in a safe way and understand the hazards involved.
- Children must not play with the appliance.
- Cleaning and user maintenance shall not be made by children without supervision

WARNING: Unattended cooking on a hob with fat or oil can be dangerous and may result in fire.

- NEVER try to extinguish a fire with water, but switch off the appliance and then cover flame e.g. with a lid or a fire blanket.

WARNING: Danger of fire: do not store items on the cooking surfaces.

WARNING: If the surface is cracked, switch off the appliance to avoid the possibility of electric shock.

- Do not use a steam cleaner for cleaning operations.
- Any spillage should be removed from the lid before opening.
- The hob surface must be allowed to cool down before closing the lid.
- This appliance is not intended to be operated by means of an external timer or separate remote-control system.
- The means for disconnection must be incorporated in the fixed wiring in accordance with the wiring rules.
- The instructions state the type of cord to be used, taking into account the temperature of the rear surface of the appliance.
- If the supply cord is damaged, it must be replaced by a special cord or assembly available from the manufacturer or its service agent.

CAUTION: In order to avoid a hazard due to inadvertent resetting of the thermal cutout, this appliance must not be supplied through an external switching device, such as a timer, or connected to a circuit that is regularly switched on and off by the utility.

- This appliance must be installed in accordance with the regulations in force and only used in a well ventilated space. Read the instructions before installing or using this appliance.
- "These instructions are only valid if the country symbol appears on the appliance. If the symbol does not appear on the appliance, it is necessary to refer to the technical instructions which will provide the necessary instructions concerning modification of the appliance to the conditions of use of the country".
- "Prior to installation, ensure that the local distribution conditions (nature of the gas and gas pressure) and the adjustment of the appliance are compatible";
- "The adjustment conditions for this appliance are stated on the label (or data plate)";
- "This appliance is not connected to a combustion products evacuation device. It shall be installed and connected in accordance with current installation regulations. Particular attention shall be given to the relevant requirements regarding ventilation".
- The use of a gas cooking appliance results in the production of heat and moisture in the room in which it is installed. Ensure that the kitchen is well ventilated: keep natural ventilation holes open or install a mechanical ventilation device (mechanical extractor hood). Prolonged intensive use of the appliance may call for additional ventilation, for example opening of a window, or more effective ventilation, for example increasing the level of mechanical ventilation where present.

1. INSTRUCTIONS FOR THE INSTALLER

INSTALLING A DOMESTIC APPLIANCE CAN BE A COMPLICATED OPERATION WHICH IF NOT CARRIED OUT CORRECTLY, CAN SERIOUSLY AFFECT CONSUMER SAFETY. IT IS FOR THIS REASON THAT THE TASK SHOULD BE UNDERTAKEN BY A PROFESSIONALLY QUALIFIED PERSON WHO WILL CARRY IT OUT IN ACCORDANCE WITH THE TECHNICAL REGULATIONS IN FORCE. IN THE EVENT THAT THIS ADVICE IS IGNORED AND THE INSTALLATION IS CARRIED OUT BY AN UNQUALIFIED PERSON, THE MANUFACTURER DECLINES ALL RESPONSIBILITY FOR ANY TECHNICAL FAILURE OF THE PRODUCT WHETHER OR NOT IT RESULTS IN DAMAGE TO GOODS OR INJURY TO INDIVIDUALS.

1.1 BUILDING IN

The hob may be installed in any worktop which is heat resistant to a temperature of 100°C, and has a thickness of 25-45 mm. The dimensions of the insert to be cut out of the worktop are in shown in *Figure 2*.

If the Hob is fitted next to a cabinet on either side, the distance between the Hob and the cabinet must be at least 15 cm (*see Figure 4*); while the distance between the hob and the rear wall must be at least 5,5 cm.

The distance between the hob and any other unit or appliance above it (e.g. An extractor hood) must be no less than 70 cm (*Figure 4*).

When there is an accessible space between the built-in hob and the cavity below, a dividing wall made of insulating material should be inserted (wood or a similar material) (*Figure 3*).

Important - The diagram in figure 1 shows how the sealant should be applied.

The Hob unit is fitted by attaching the Fixing Clamps supplied, using the holes at the base of the unit.

If a hob of 60 cm is fitted above an oven which is not equipped with fan cooling system it is recommended that openings are created within the built in furniture to ensure correct air circulation.

The size of these openings must be at least 300 cm² and placed as shown in *Figure 5*.

When a 75 cm hob is fitted over a built in oven, the latter must be fan cooled.

1.2. SUITABLE LOCATION

This appliance must be installed in accordance with the regulations in force and only used in a well ventilated space. Read the instructions before installing or using this appliance.

A gas-powered cooking appliance produces heat and humidity in the area in which it is installed. For this reason you should ensure good ventilation either by keeping all natural air passages open or by installing an extractor hood with an exhaust flue. Intensive and prolonged use of the appliance may require extra ventilation, such as the opening of a window or an increase in speed of the electric fan, if you have one.

If a hood can not be installed, an electric fan should be fitted to an outside wall or window to ensure that there is adequate ventilation.

The electric fan should be able to carry out a complete change of air in the kitchen 3-5 times every hour. The installer should follow the relevant national standards.

2. ELECTRICAL CONNECTION (FOR U.K. ONLY)

Warning - this appliance must be earthed

This appliance is designed for domestic use only. Connection to the main supply must be made by a competent electrician, ensuring that all current regulations concerning such installations are observed.

The appliance must only be connected to a suitably rated spur point, a 3 pin 13 amp plug/socket is not suitable. A double pole switch must be provided and the circuit must have appropriate fuse protection. Further details of the power requirement of the individual product will be found in the users' instruction and on the appliance rating plate. In the case of built-in product you are advised, should you wish to use a longer cable than the one supplied, that a suitably rated heat resistant type must be used.

The wiring must be connected to the mains supply as follows:

CONNECT	TO SPUR TERMINAL
Green & Yellow Wire	Earth Connection
Blue Wire	Neutral Connection
Brown Wire	Live Connection

Note: We do not advocate the use of earth leakage devices with electric cooking appliances installed to spur points because of the «nuisance tripping» which may occur. You are again reminded that the appliance must be correctly earthed, the manufacturer declines any responsibility for any event occurring as a result of incorrect electrical installation.

2.1. ELECTRICAL CONNECTION

Check the data on the rating plate, located on the outside of the unit, to ensure that the supply and input voltage are suitable.

Before connection, check the earthing system.

By Law, this appliance must be earthed. If this regulation is not complied with, the Manufacturer will not be responsible for any damage caused to persons or property. If a plug is not already attached, fit a plug appropriate to the load indicated on the rating plate. The earth wire is coloured yellow/green. The plug should always be accessible.

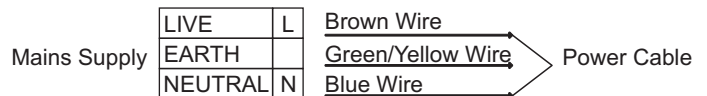
Where the Hob is connected direct to the electricity supply, a circuit breaker must be fitted.

If the power supply cord is damaged this is to be replaced by a qualified engineer so as to prevent any potential risk.

The earth wire (green and yellow coloured) must be at least 10 mm longer than the live and neutral wires.

The section of the cable used must be of the correct size in relation to the absorbed power of the hob.

Please check rating plate for the power details and ensure that the power supply cord is of the type 3x0.75 mm² H05RR-F.



If an appliance is not fitted with a supply cord and a plug, or with other means for disconnection from the supply mains having a contact separation in all poles that provide full disconnection under overvoltage category III conditions, the instructions shall state that means for disconnection must be incorporated in the fixed wiring in accordance with the wiring rules.

When connecting the hob to the gas supply via use offlexible hoses please ensure that the maximum distance covered by the hose does not exceed 2 metres.

The flexible tube shall be fitted in such a way that it cannot come into contact with a moveable part of the housing unit (e.g. a drawer) and does not pass through any space where it may become crushed/ kinked or damaged in any way.

To prevent any potential damage to the hob please carry out the installation following this sequence (picture 6):

1)As illustrated, assemble parts in sequence:

A: 1/2 Male Adaptor Cylindrical

B: 1/2 Seal

C: 1/2 Female Gas Adaptor Conical-Cylindrical or Cylindrical-Cylindrical

2)Tighten the joints with the spanner, remembering to twist the pipes into position.

3)Attach fitting C to mains gas supply using rigid copper pipe or flexible steel pipe.

IMPORTANT: carry out a final check for leaks on the pipe connections using a soapy solution. NEVER USE A FLAME. Also, make sure that the flexible pipe cannot come into contact with a moving part of the cabinet (eg.adrawer) and that it is not situated where it could be damaged.

Warning: If gas can be smelt in the vicinity of this appliance turn off the gas supply to the appliance and call the engineer directly. Do not search for a leak with a naked flame.

2.2. GAS CONNECTION

These instructions are for qualified personnel, installation of equipment must be in line with the relevant national standard. **(For U.K. only: by law the gas installation/commissioning must be carried out by a "Gas Safe" installer)**

All work must be carried out with the electricity supply disconnected.

The rating plate on the hob shows the type of gas with which it is designed to be used. Connection to the mains gas supply or gas cylinder should be carried out after having checked that it is regulated for the type of gas with which it will be supplied. If it is not correctly regulated see the instructions in the following paragraphs to change gas setting.

For liquid gas (cylinder gas) use pressure regulators which comply with the relevant national standards.

Use only pipes, washers and sealing washers which comply with the relevant national standards.

For some models a conic link is furnished to outfit for the installation in the countries where this type of link is obligatory; in picture 8 it is pointed out how to recognize the different types of links (CY = cylindrical, CO = conic). In every case the cylindrical part of the link has to be connected to the hob.

2.3. ADAPTING THE HOB TO DIFFERENT TYPES OF GAS

To adapt the Hob for use with different types of gas, carry out the following instructions:

- Remove the grids and burners
- Insert on hexagonal spanner (7 mm) into the burner support (Figure 7)
- Unscrew the injector and replace it with one suitable for the gas to be used (see gas type table)

2.4. REGULATING THE MINIMUM FLAME

After lighting the burners, turn the control knob to the minimum setting and then remove the knob (this can easily be removed by applying gentle pressure).

Using a small «Terminal» type screwdriver the regulating screw can be adjusted as in Figure 9. Turning the screw clockwise reduces the gas flow, whilst turning it anticlockwise increases the flow – Use this adjustment to obtain a flame of approximately 3 to 4 mm in length and then replace the control knob.

When the gas supply available is LPG - the screw to set the idle flame must be turned (clockwise) to the end stop.

When you have carried out the new gas regulation, replace the old gas rating plate on your appliance with one (supplied with hob) suitable for the type of gas for which it has been regulated.

3. USE OF HOB - USER INSTRUCTIONS

This appliance must only be used for the purpose for which it is intended, domestic cooking, and any other use will be considered improper and could therefore be dangerous. The Manufacturer will not be responsible for any damage or loss resulting from improper use.

3.1. USING THE GAS BURNER

To ignite the burners, place a lighted taper close to the burner, press in and turn the control knob anti-clockwise.

If the burners have not been used for a couple of days, wait for a few seconds before lighting the burner, this will allow any air present in the pipes to escape.

For appliances fitted with electronic ignition carry out the following:

- Push in and turn the knob anticlockwise to the ignition symbol.
- Ignite the burner by pressing the sparker button.

For hobs fitted with automatic ignition simply push in and turn the knob to the ignition symbol.

The ignition system will continue to generate sparks as long as the control knob is being pressed.

If the burner has not ignited within 5 seconds, turn the knob to the 0 position and repeat the operation.

For models fitted with a safety tap (which cuts-off the flow of gas if the flame is accidentally extinguished) the burners are ignited and described above, but care must be taken.

Prior to switching on the gas hob ensure that the burners and burner caps are correctly placed within their position.

GENERAL ADVISE

For best results, use cooking vessels with a flat surface. The size of the surface should match the gas burner side as follows. Table A.

Burner Type	Ø pan/pot (cm)	Power (kW)	G20/20 mbar (methane)	G30/28-30 mbar (LPG)
AUX Auxiliary	12 - 18	1,00	95 l/h	73 g/h
SR Semi Rapid	18 - 24	1,75	167 l/h	127 g/h
R Rapid	24 - 26	2,50	238 l/h	182 g/h
UR Ultra Rapid	24 - 28	3,50	333 l/h	255 g/h
QC Double Ring	24 - 28	4,00	381 l/h	291 g/h
TC Triple Crown Burner	24 - 28	3,80	362 l/h	276 g/h

Table A

For smaller containers the gas burner should be regulated so that the flame does not overlap the base of the pan. Vessels with a concave or convex base should not be used.

WARNING: If a flame is accidentally extinguished, turn the knob to the off position and do not attempt to re-ignite if for at least 1 minute.

If over the years the gas taps become stiff to turn it is necessary to lubricate them.

Such operation must be carried out only by qualified Service Engineers.

4. MAINTENANCE AND CLEANING

Before cleaning the hob, ensure the appliance has cooled down. Remove the plug from the socket or (if connected directly) switch off the electricity supply.

Cleaning and user maintenance shall not be made by children without supervision

Never use abrasives, corrosive detergents, bleaching agents or acids. Avoid any acid or alkaline substances (lemon, juice, vinegar etc.) on the enamelled, varnished or stainless steel sections.

When cleaning the enamelled, varnished or chrome sections, use warm soapy water or a non caustic detergent. For stainless steel use an appropriate cleaning solution.

The burners can be cleaned with soapy water. To restore their original shine, use a household stainless steel cleaner. After cleaning, dry the burners and replace.

It is important the Burners are replaced correctly.

Chromed grids and burners

Chromed grids and burners have a tendency to discolour with use. This does not jeopardize the functionality of the hob.

Our After Sales Service Centre can provide spare parts if required.

5. AFTERCARE

Before calling out a Service Engineer please check the following:

- that the plug is correctly inserted and fused;
- that the gas supply is not faulty.

If the fault cannot be detected:

Switch off the appliance and call the After Service Centre. **DO NOT TAMPER WITH THE APPLIANCE.**

6. PROTECTION OF THE ENVIRONMENT



This appliance is marked according to the European directive 2012/19/EU on Waste Electrical and Electronic Equipment (WEEE). WEEE contains both polluting substances (which can cause negative consequences for the environment) and basic components (which can be re-used). It is important to have WEEE subjected to specific treatments, in order to remove and dispose properly all pollutants, and recover and recycle all materials.

Individuals can play an important role in ensuring that WEEE does not become an environmental issue; it is essential to follow some basic rules:

- WEEE shall not be treated as household waste.
- WEEE shall be handed over to the relevant collection points managed by the municipality or by registered companies. In many countries, for large WEEE, home collection could be present.
- When you buy a new appliance, the old one may be returned to the retailer who has to collect it free of charge on a one-to-one basis, as long as the equipment is of equivalent type and has the same functions as the supplied equipment.

Declaration of compliance: This equipment, in the parts intended to come into contact with food, complies with the regulations laid down in EEC directives 89/109.

The appliance complies with European Directives 2009/142/EC and subsequent amendments.

By placing the **CE** mark on this product, we are confirming compliance to all relevant European safety, health and environmental requirements which are applicable in legislation for this product.

The Manufacturer will not be responsible for any inaccuracy resulting from printing or transcript errors contained in this brochure. We reserve the right to carry out modifications to products as required, including the interests of consumption, without prejudice to the characteristics relating to safety or function.

Table 1

BUILT IN HOBS								
Burner	1	1	2	3	2	1	2	3
	4 gas QC / R / SR / AUX	4 gas R / 2SR / AUX	5 gas QC / 2R / SR / AUX	4 gas QC / R / SR / AUX	5 gas UR / 2R / SR / AUX	4 gas TC/R/SR/AUX	5 gas TC/2R/SR/AUX	4 gas TC/R/SR/AUX
Type / reference	S67 / HBGPL2X	S67 / HBGPL2X	S67 / HBGPL2X	S67 / HBGPL2X	S67 / HBGPL2X	S67 / HBGPL2X	S67 / HBGPL2X	S67/HBGPL2X
Flame failure device	YES	YES	YES	YES	YES	YES	YES	YES
Auxiliary burner (AUX Ø 50 mm)	1	1	1	1	1	1	1	1
Double ring burner (QC Ø 135 mm)	1	-	1	1	-	-	-	-
Ultra rapid burner (UR Ø 110 mm)	-	-	-	-	1	-	-	-
Semirapid burner (SR Ø 75 mm)	1	2	1	1	1	1	1	1
Rapid burner (R Ø 100 mm)	1	1	2	1	1	1	2	1
Triple crown burner (TC Mono Ø135 mm)	-	-	-	-	-	1	1	1
Installed Gas Type / Power:								
Power	9.25 kW	7.00 kW	11.75 kW	9.25 kW	11.25 kW	9.05 kW	11.55 kW	9.05 kW
G 20/20 mbar (methane)	881 L/h	666 L/h	1119 L/h	881 L/h	1071 L/h	862 L/h	1100 L/h	862 L/h
G 30/28-30 mbar (LPG)	673 g/h	509 g/h	854 g/h	673 g/h	818 g/h	658 g/h	839 g/h	658 g/h
Installation Class	3	3	3	3	3	3	3	3
Voltage / Frequency V / Hz	220-240 V~ 50-60Hz	220-240 V~ 50-60Hz	220-240 V~ 50-60Hz	220-240 V~ 50-60Hz	220-240 V~ 50-60Hz	220-240 V~ 50-60Hz	220-240 V~ 50-60Hz	220-240 V~ 50-60Hz
Electrical input power	15 W	15 W	15 W	15 W	15 W	15 W	15 W	15 W
Electric ignition	YES	YES	YES	YES	YES	YES	YES	YES
Product dimension	595 x 510	595 x 510	745 x 510	745 x 510	745 x 510	595 x 510	745 x 510	745 x 510

This appliance has been designed for non-professional, i.e. domestic, use.