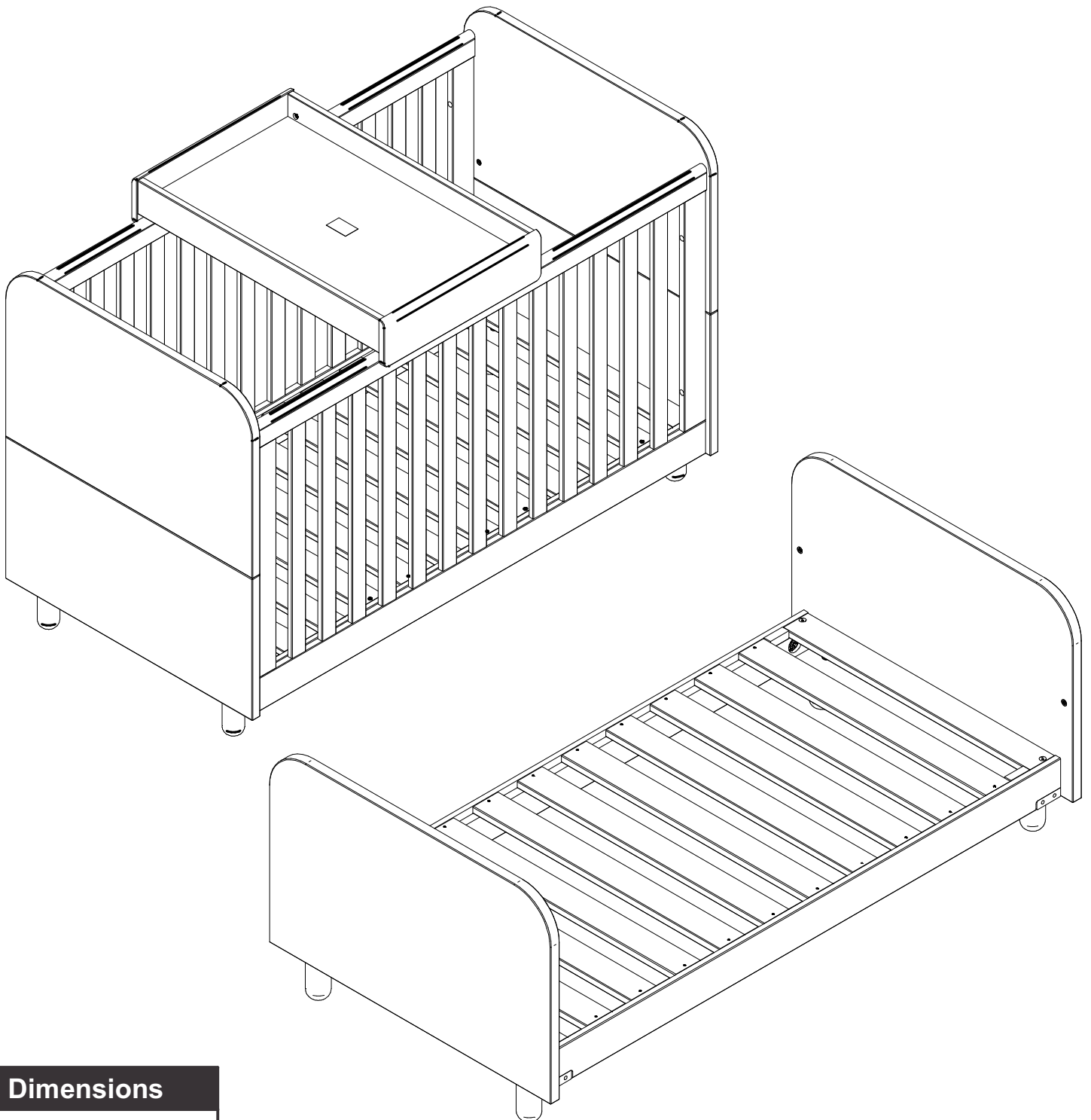


Noah - Cotbed and changer

Assembly Instructions - Please keep for future reference

742/3202



Dimensions

Width - 78,8cm

Depth - 145,2cm

Height - 95,7cm

Important – Please read these instructions fully before starting assembly

If you need help or have damaged or missing parts, call the **Customer Helpline: 03456 400 800**



Safety and Care Advice

Important – Please read these instructions fully before starting assembly

- Check you have all the components and tools listed on pages 2 and 3.
- Remove all fittings from the plastic bags and separate them into their groups.
- Keep children and animals away from the work area, small parts could choke if swallowed.
- Make sure you have enough space to layout the parts before starting.

- This product contains Natural timber; you may notice some variation in the grain and colour of different component parts which is normal for furniture produced using natural wood and is not the result of any manufacturing fault.
- Do not stand or put weight on the product, this could cause damage.
- Assemble the item as close to its final position (in the same room) as possible.



- We do not recommend the use of power drill/drivers **for inserting screws**, as this could damage the unit. Only use hand screwdrivers.
- Parts of the assembly will be easier with 2 people.
- Dispose of all packaging carefully and responsibly.
- Assemble on a soft level surface to avoid damaging the unit or your floor.

Care and maintenance

- Use an appropriate furniture polish for natural wood furniture and a dry cloth to clean the product.
- From time to time check that there are no loose screws on this unit.
- Avoid placing the furniture in direct sunlight as this will cause the timber to prematurely age.
- This product should not be discarded with household waste. Take to your local authority waste disposal centre.

Warning !

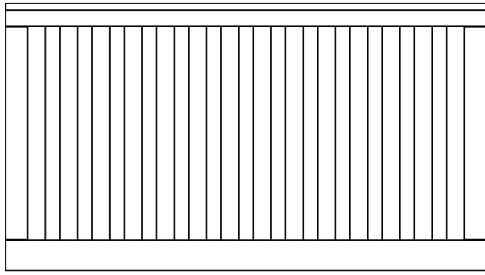
IMPORTANT KEEP IT FOR FUTURE REFERENCE, READ IT CAREFULLY.

- In cot mode, three base height positions are possible. The lowest position is the safest and should always be used once the child can sit unaided.
- The thickness of the mattress should be such that the distance between the top of the mattress and the top of the sides should be no less than 500mm with the base in its lowest position and no less than 200mm with the base in its highest position (indicated by printed line on cot frame).
- Do not leave anything (large toys etc.) in the cot which could provide a foothold or present a danger of suffocation or strangulation.
- The cot is suitable for a mattress of 1400mm in length and 700mm in width. For safety reasons, the minimum mattress size to be used in this cot must be 1380mm in length and 680mm in width.
- Do not position too close to strong sources of heat e.g. open fires, electric fires or gas fires.
- Regularly check the security of fittings and ensure there are no loose screws which could trap parts of the body, or clothing (e.g. strings, necklaces or ribbons for dummies) which would pose a risk of strangulation.
- Do not use the cot if any part is broken, torn or missing and use only spare parts approved by the manufacturer
- Do not use more than one mattress in the cot
- The cot shall no longer be used when the child is able to climb out of the cot to prevent injury from falls, when the child is able to climb out of the cot, the cot shall no longer be used for that child.
- Designed and manufactured to BS EN 716-1: 2008 and BS 8509:2008 + A1:2011
- The toddler bed is suitable for children aged from 18 months to 4 years.
- Do not leave anything in the cot or place the cot close to another product, which could provide a foothold or present a danger of suffocation, e.g. strings, blind/curtain, cords, etc.

Note: if required the next page can be cut out and used as reference throughout the assembly. Keep this page with these instructions for future reference.

Components - Panels

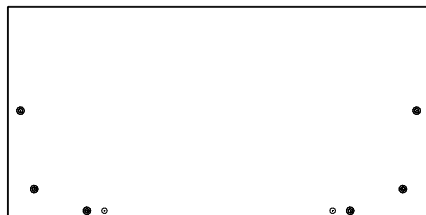
Please check you have all the panels listed below



1 Side frame x2 (140,6 x 77,7cm)



3 Headboard top x 2 (77 x 47cm)



4 Headboard bottom x 2 (77 x 38,4cm)



5 Side panel x 2 (140,2x90cm)



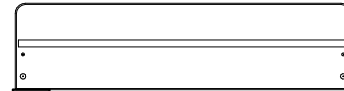
6 Changer bottom x 1 (76,1 46,2cm)



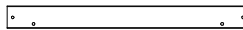
7 Slat x 10 (67,4 x 7cm)



8 Changer side panel x 2 (75,2 x 9cm)



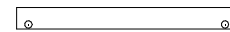
9 Changer front panel x 2 (49 x 12,5cm)



10 Foot support x 2 (70,4 x 6,5cm)



11 Top slats x 2 (67,4 x 7cm)



12 Changer support bars x 2 (44,9 x 4,4cm)



13 Foot x 4 (10,0 x 5,0cm)

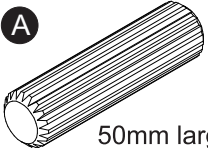
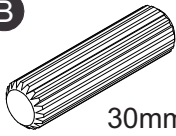
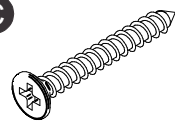
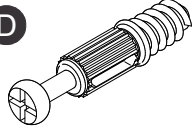
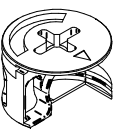
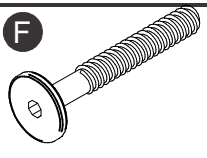
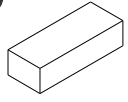
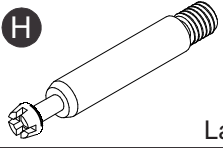
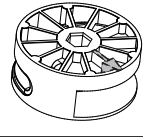
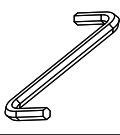
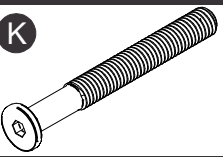
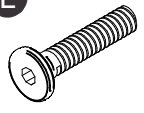
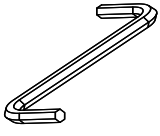
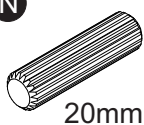


Components - Fittings

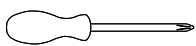
If you have damaged or missing components, call the **Customer Helpline: 03456 400 800**

Please check you have all the fittings listed below

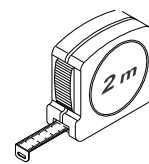
Note: The quantities below are the correct amount to complete the assembly. In some cases more fittings may be supplied than are required.

A  50mm large Wooden dowel x 12	B  30mm Wooden dowel x 12	C  35mm Screw x 20
D  Metal dowel x 8	E  Locking nut x 8	F  50mm Bolt x 4
G  Spacer x 02	H  Large metal dowel x 4	I  Large locking nut x 4
J  Allen key x 1	K  70mm Bolt x 12	L  30mm Bolt x 8
M  L Key x 1	N  20mm Small Wooden dowel x 8	

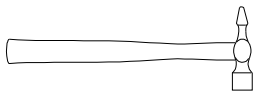
Tools required



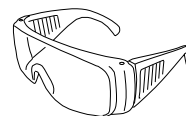
Phillips screwdriver
(medium & large)



Ruler/tape
measure



Small
hammer



Eye protection
(when using a
hammer or glue)

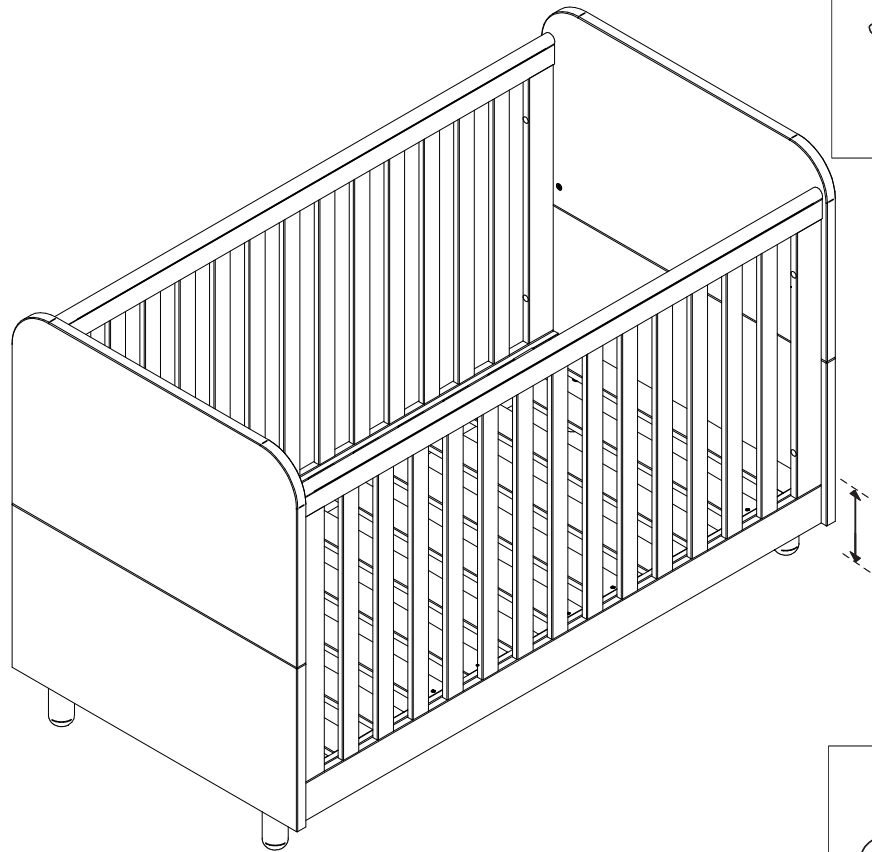
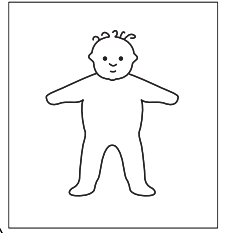
Ruler -Use this ruler to help correctly identify the screws



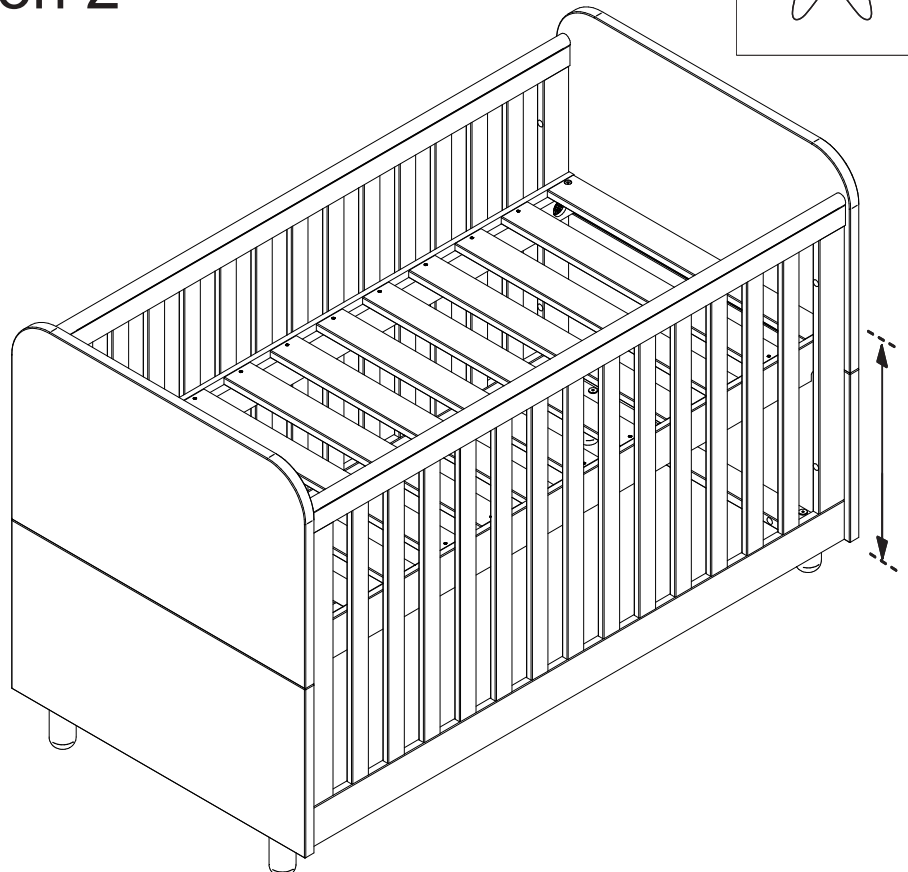
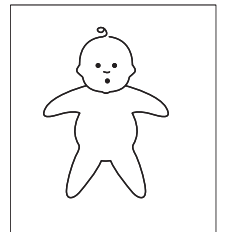
Assembly Instructions

This manual will show assembly of option 1

Option 1



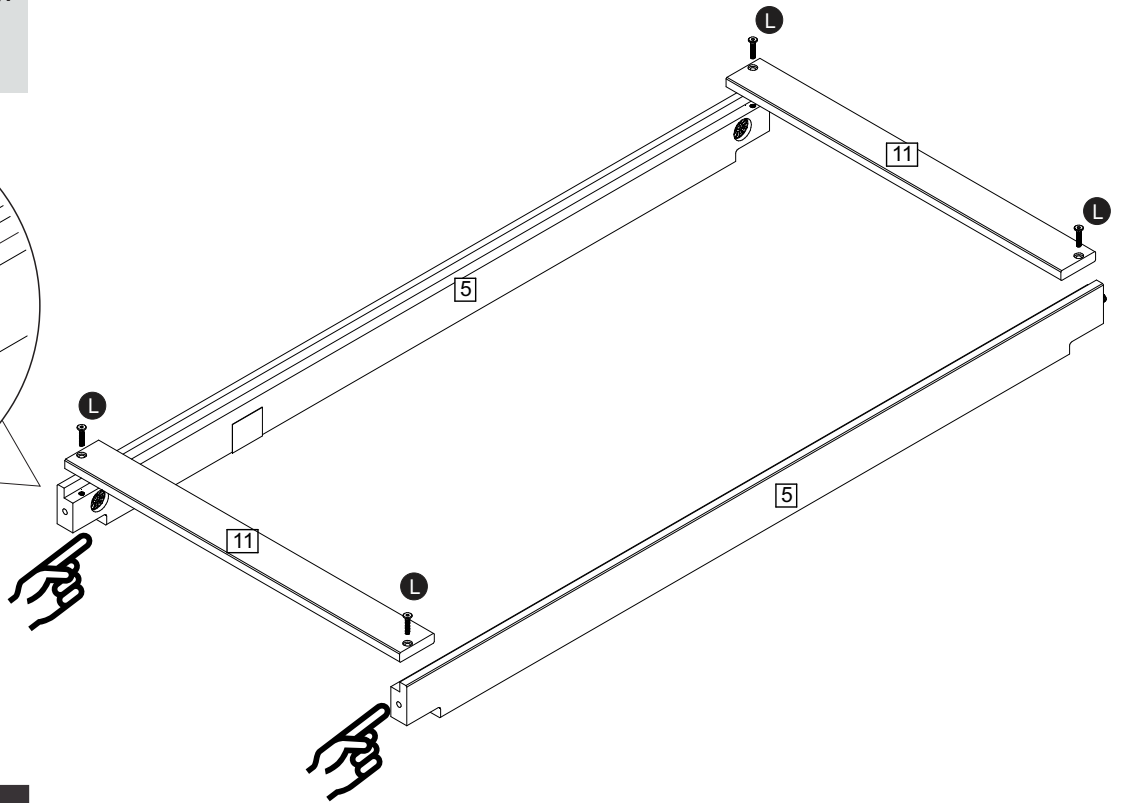
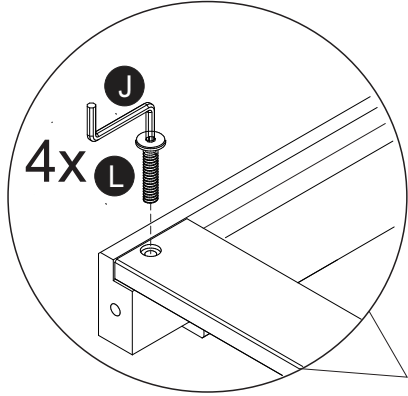
Option 2



Assembly Instructions

Step 1

Fix top slats **11** to side rails **5** using bolts **L** and allen key **J**.

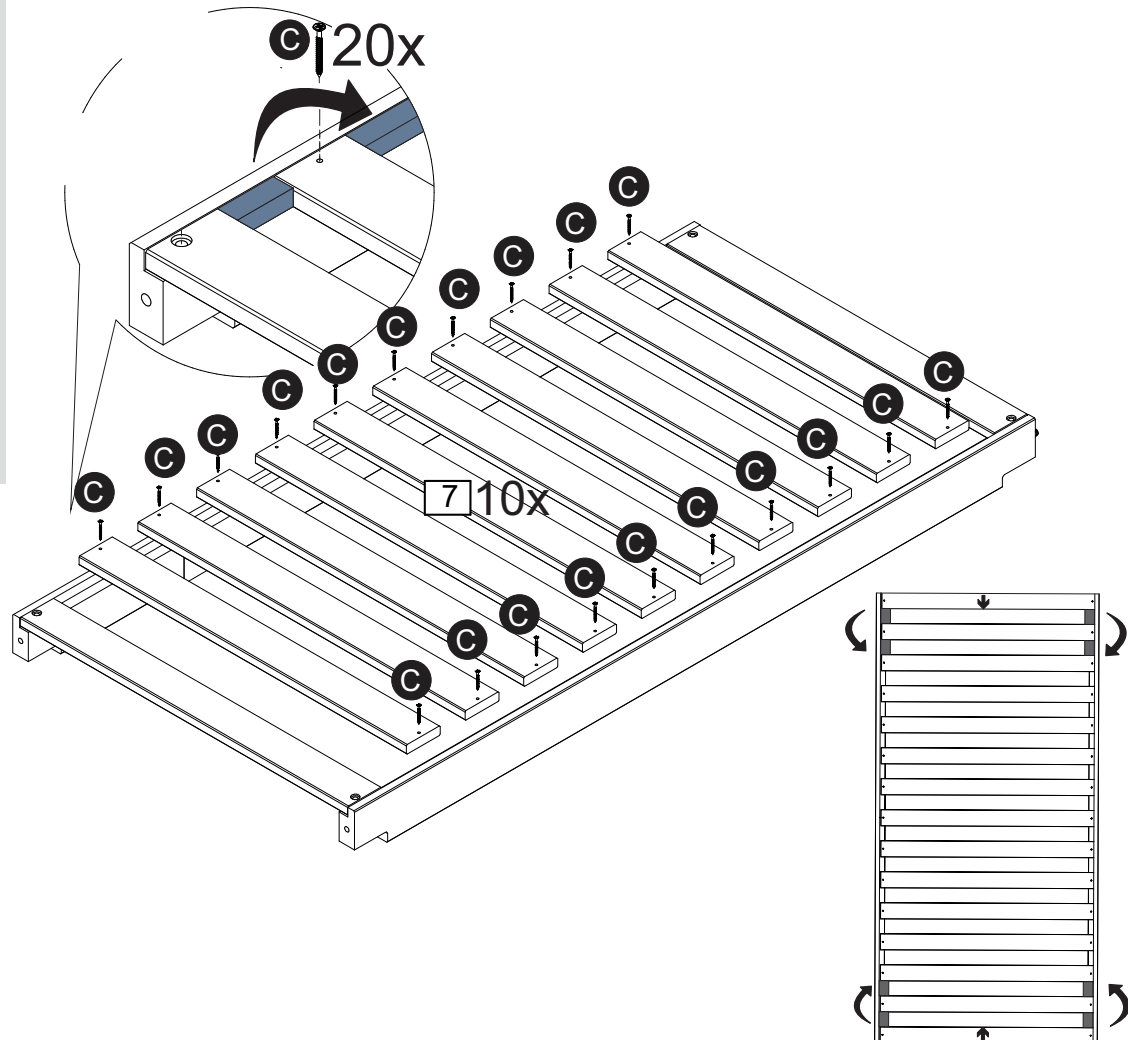


Step 2

Then, using spacer **G**, work towards the middle of the cot fixing slats **7** to the side rails using screws **C**.



Make sure slats are fully pushed to the sides of the side rails before fixing and countersank holes are facing up.

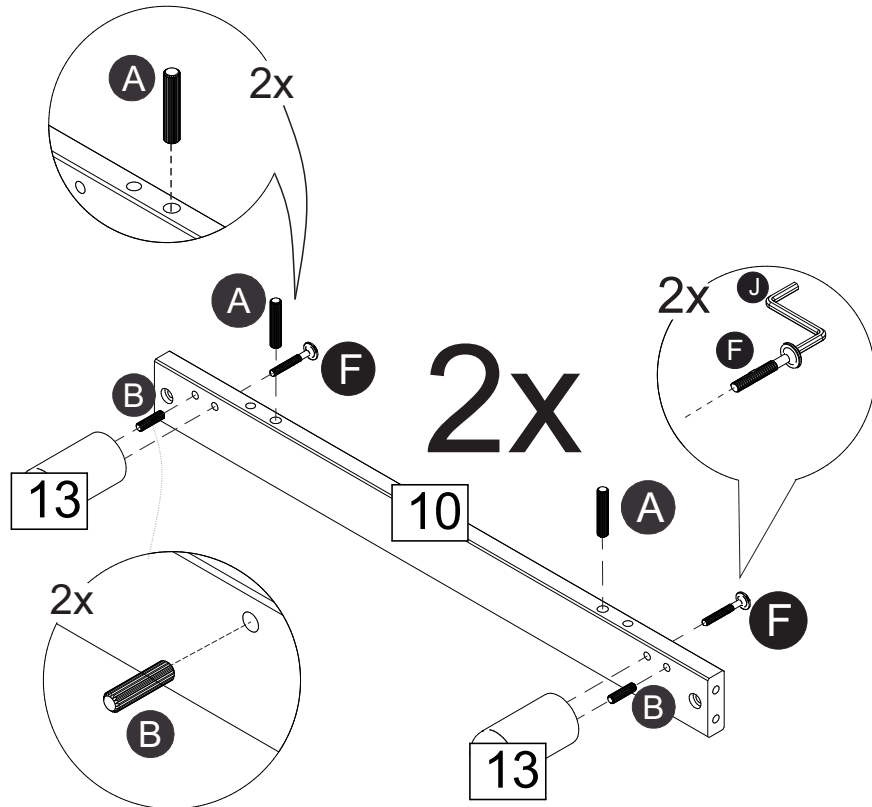


Assembly Instructions

Step 3

Insert large wooden dowels **A** to foot support **10** where shown.

Insert wooden dowels **B** to foot **13** and fix foot **13** to foot support **10** using screws **F** and allen key **J**.

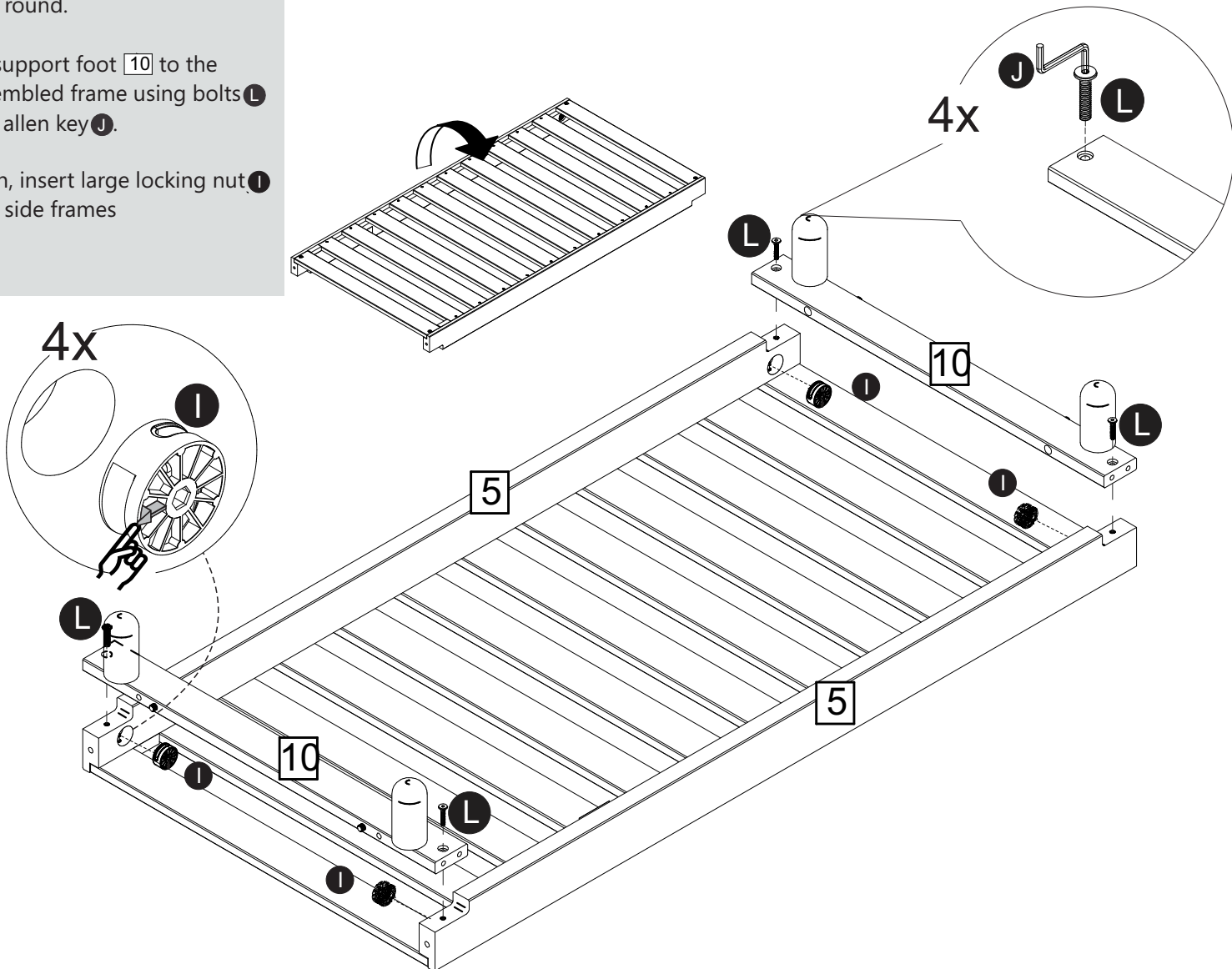


Step 4

Turn assembled frame the other way round.

Fix support foot **10** to the assembled frame using bolts **L** and allen key **J**.

Then, insert large locking nut **I** into side frames

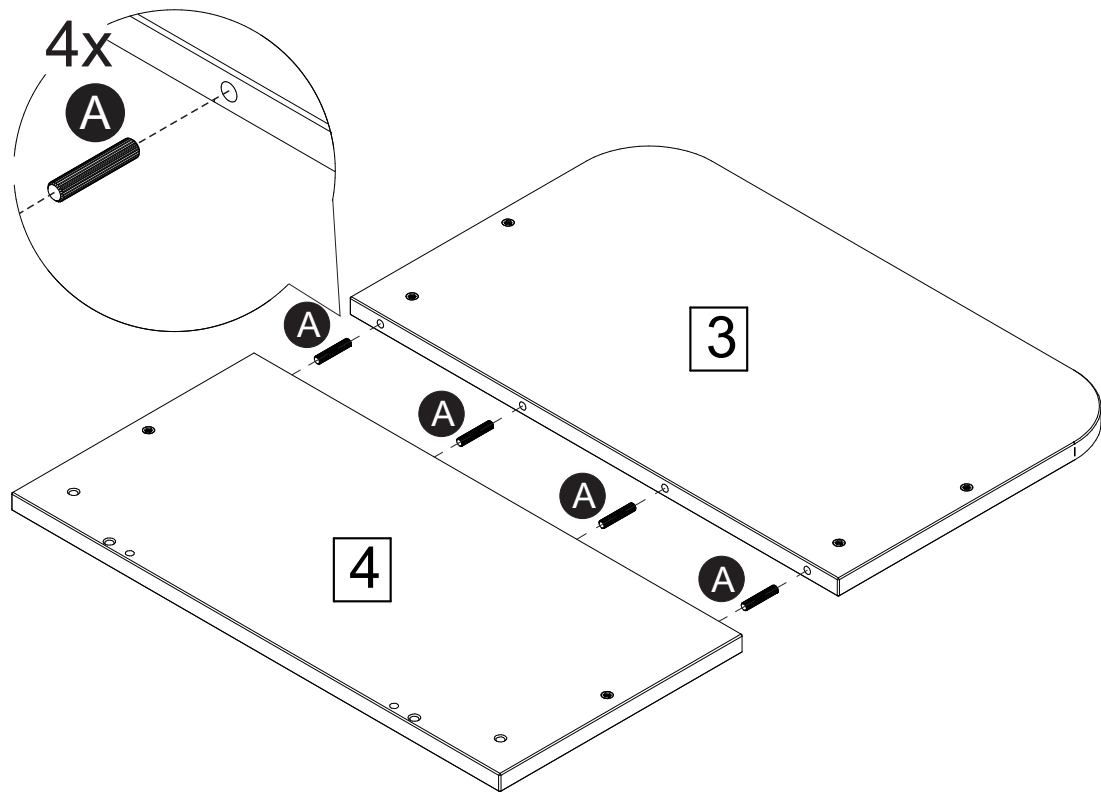


Assembly Instructions

Step 5

Insert large wooden dowels **A** to headboard bottom **4** and fit it to the headboard top **3**.

2x



Step 6

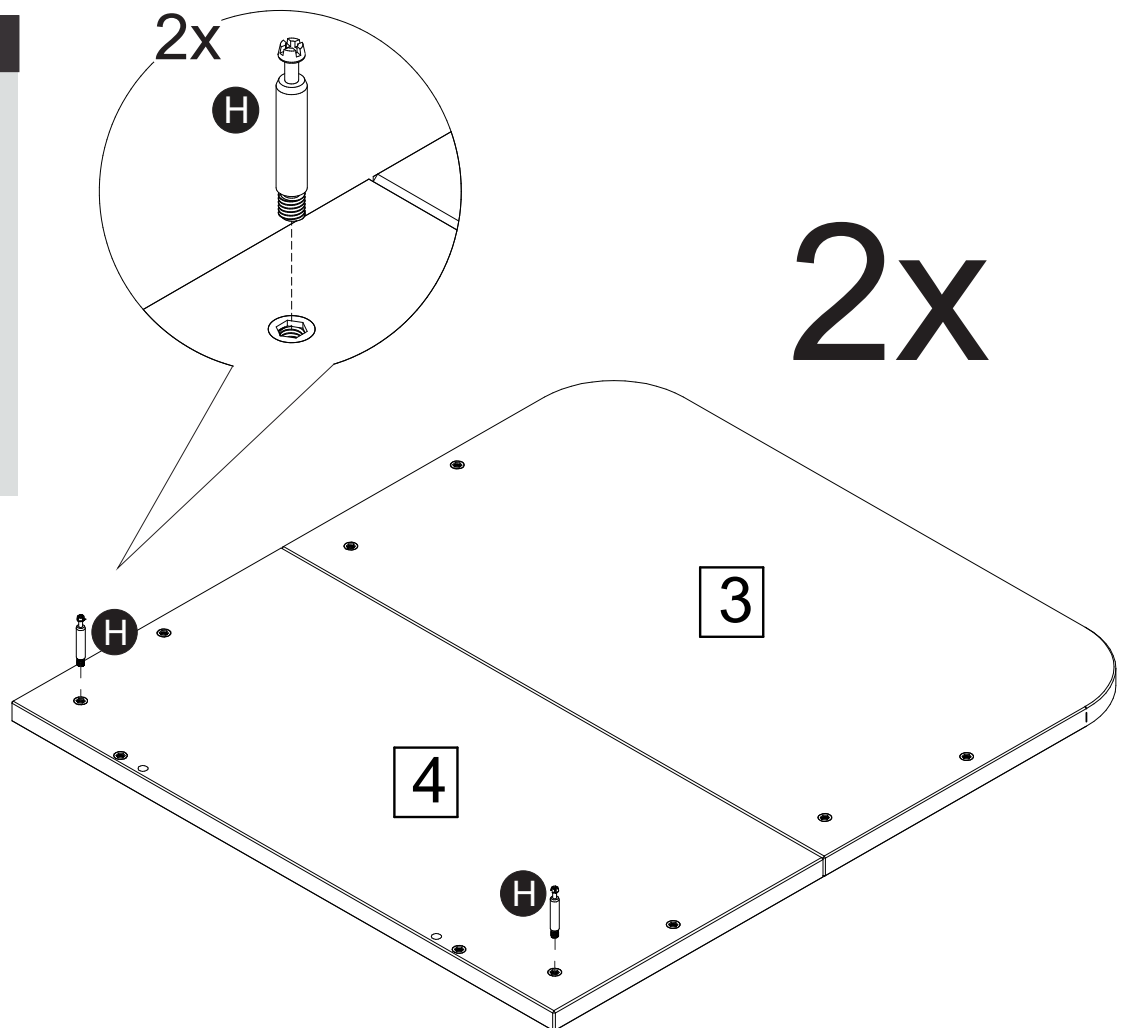
Screw large metal dowels **H** into headboard bottom **4**.



Note: Insert metal dowels as far as shown.

Do not over tighten.

2x

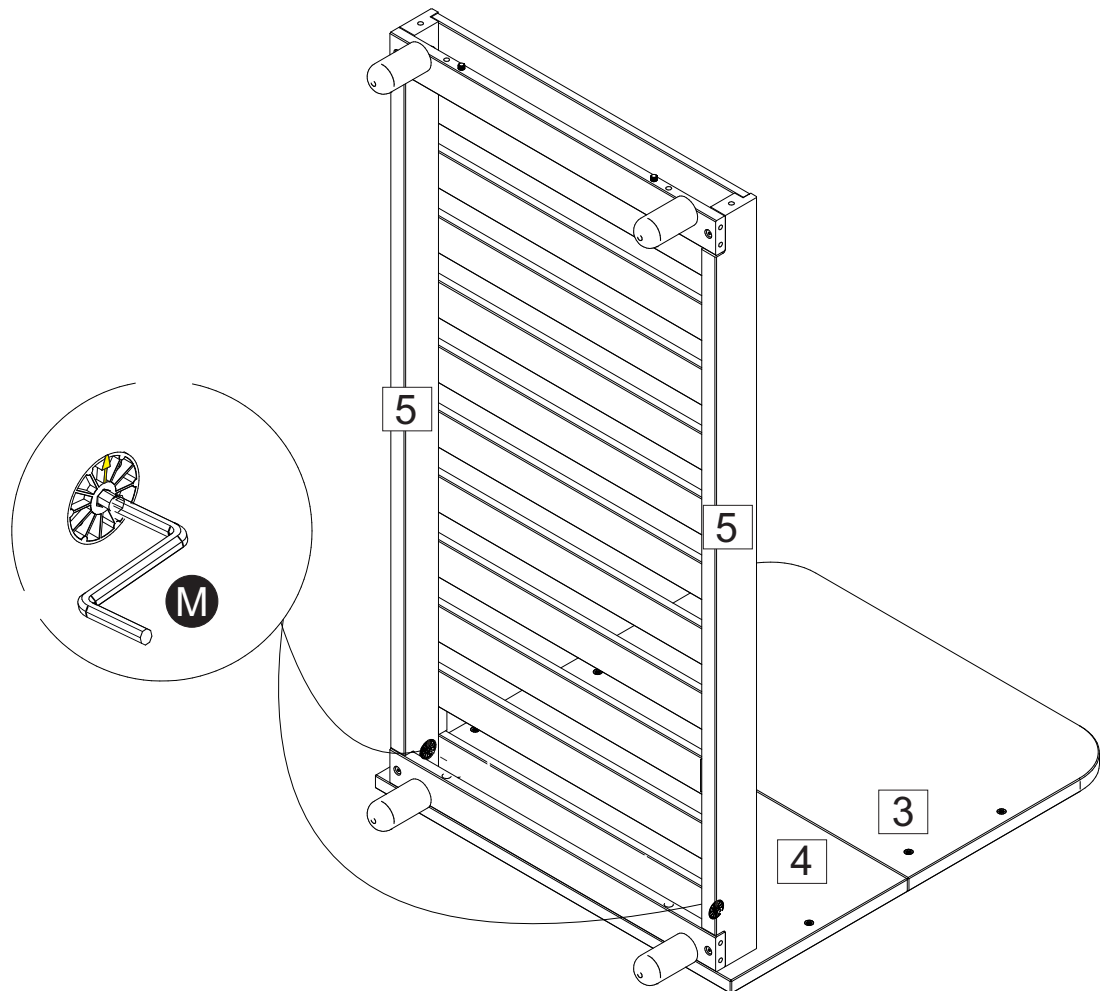
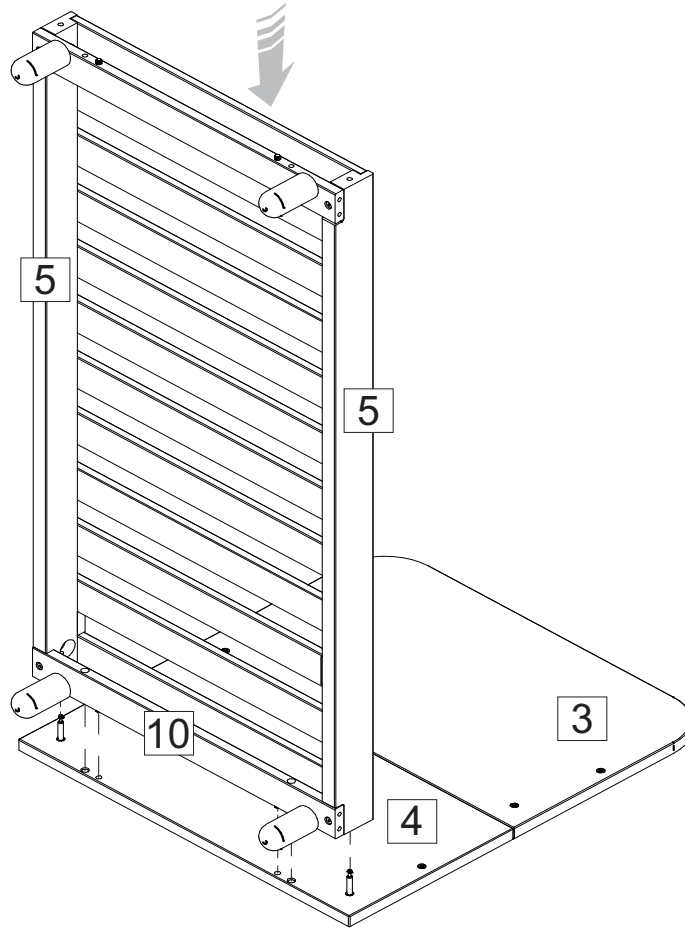


Assembly Instructions

Step 7

Fit assembled frame do headboard bottom.

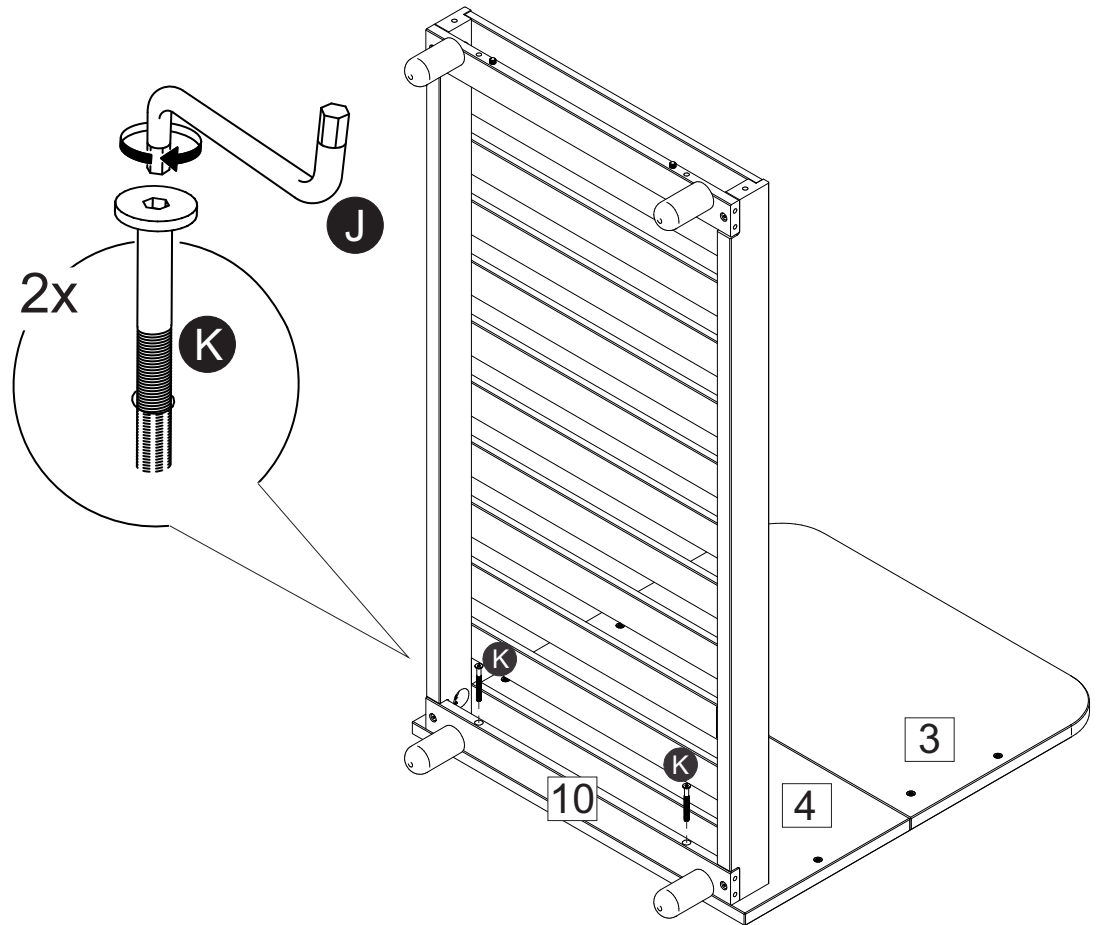
Using L key , turn large locking nuts **M** clockwise..



Assembly Instructions

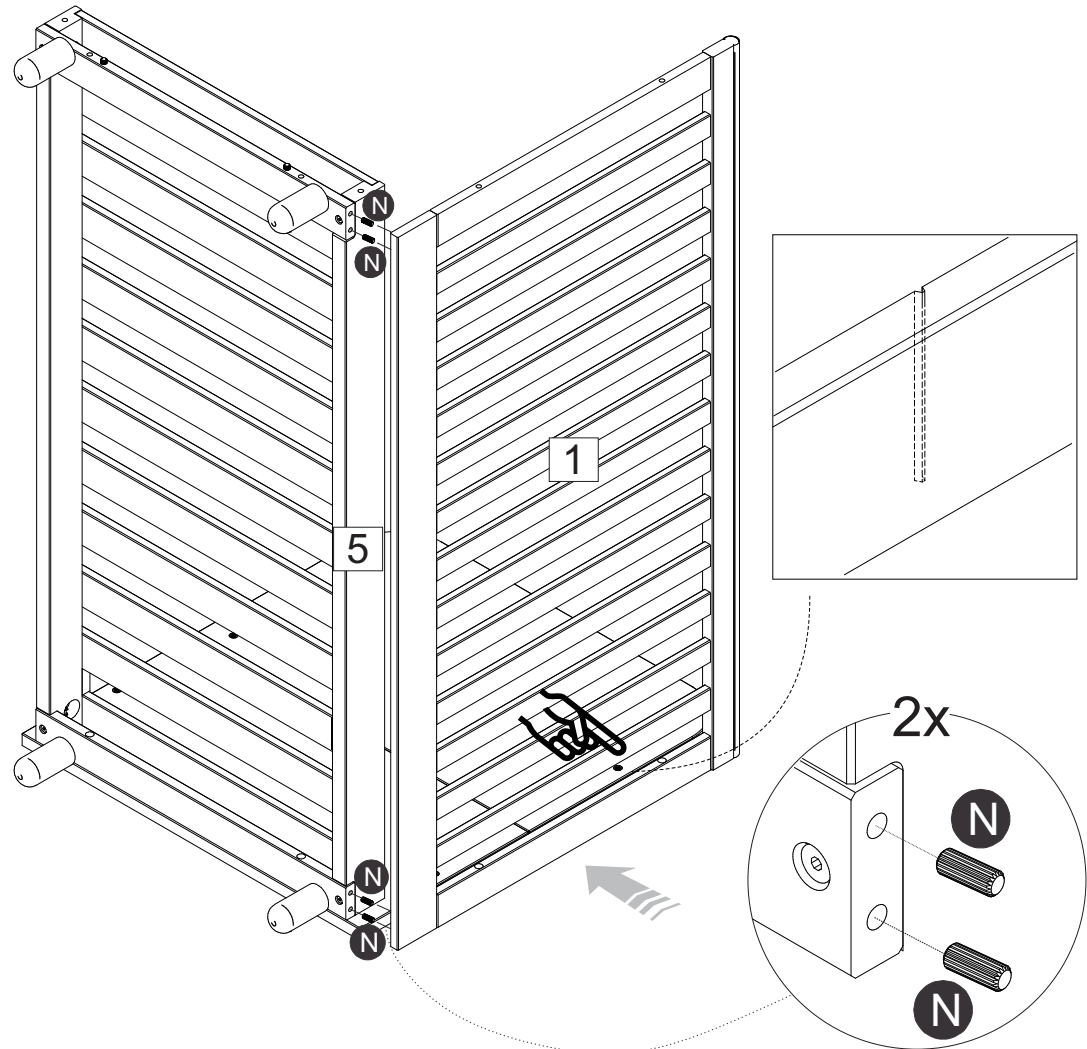
Step 8

Fix foot support to the headboard bottom using bolt **K** and allen key **J**.



Step 9

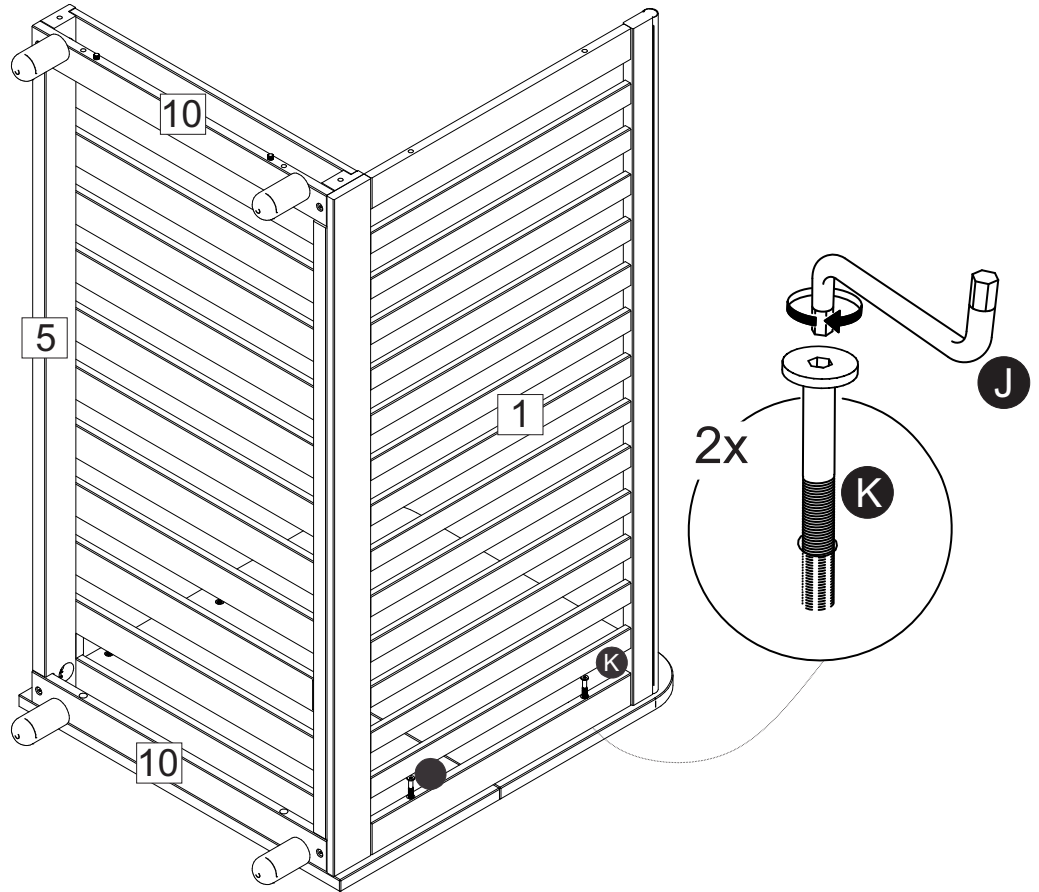
Insert small locking wood dawels **N** to foot support and fit side frame **1**.



Assembly Instructions

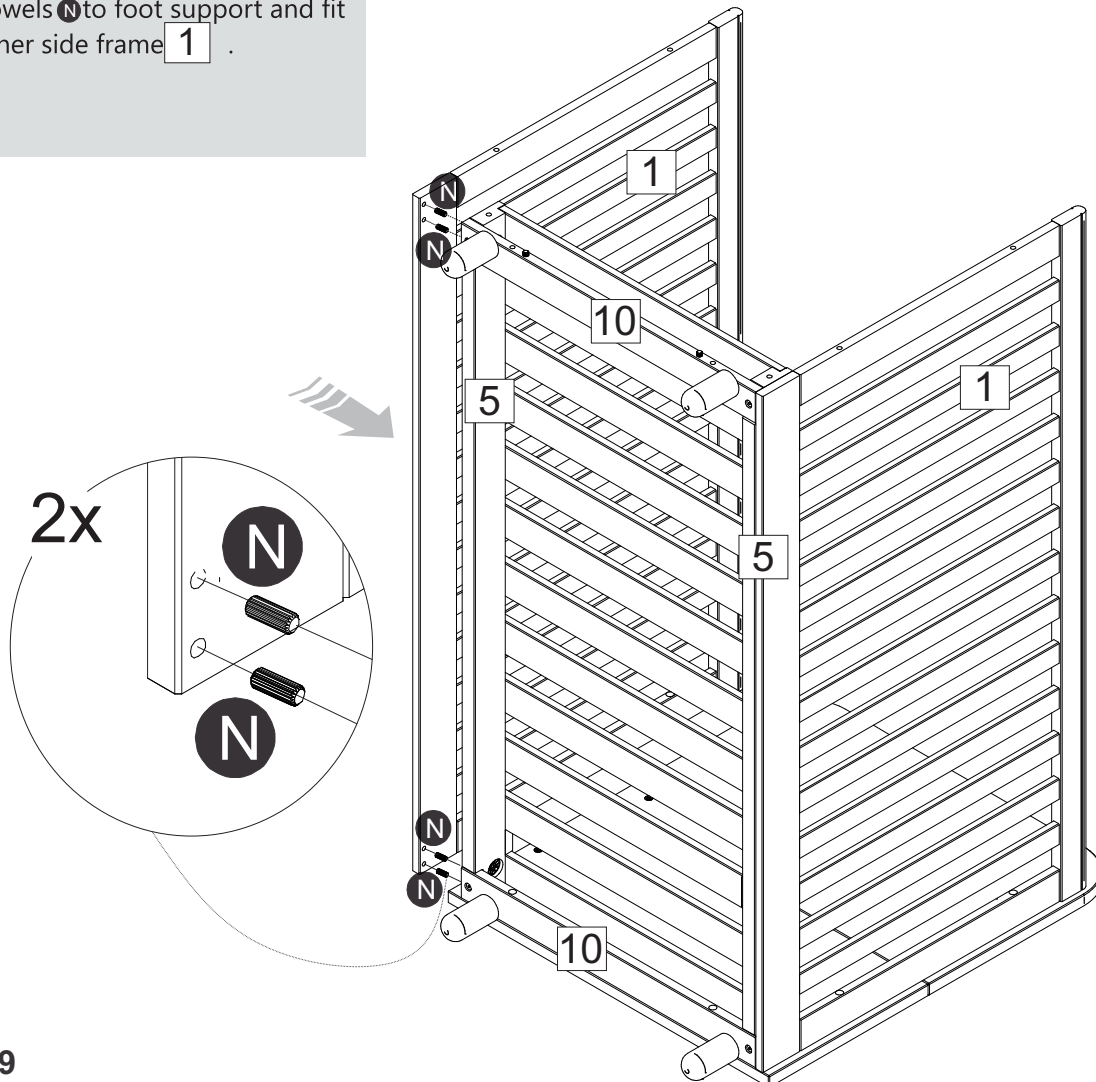
Step 10

Fix side frame **1** to headboard using bolts **K** and allen key **J**.



Step 11

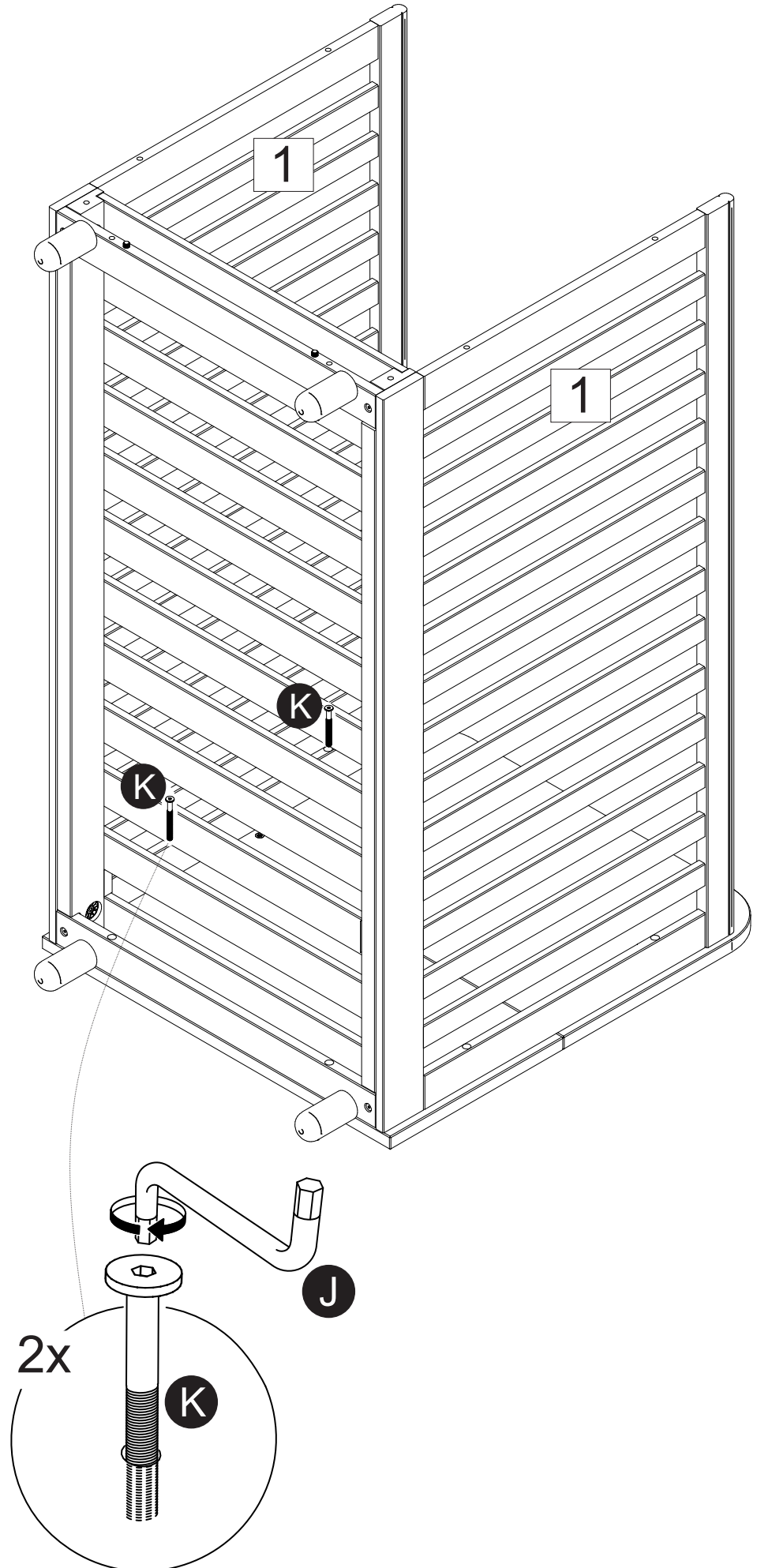
Insert small locking wooden dowels **N** to foot support and fit other side frame **1**.



Assembly Instructions

Step 12

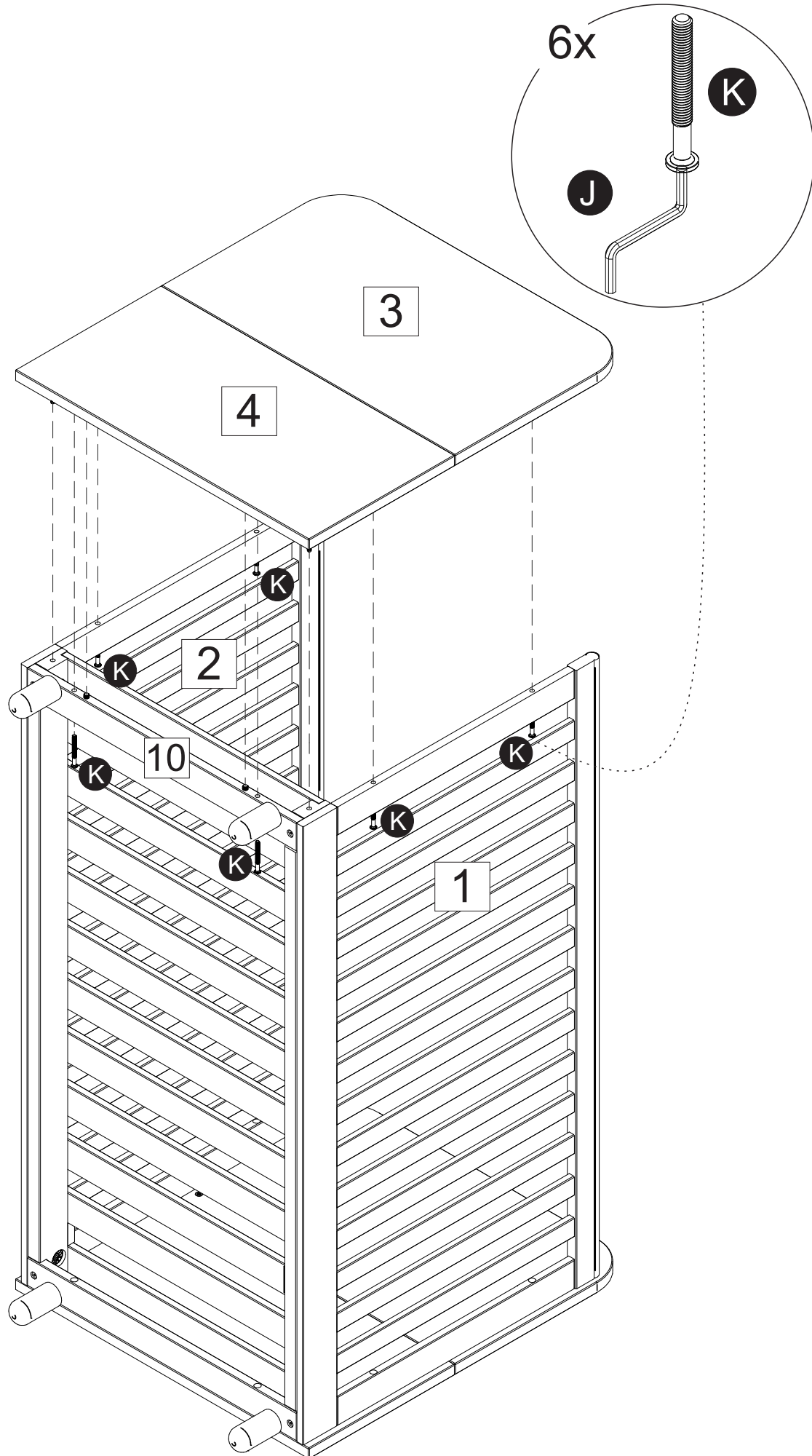
Fix side frame **1** to headboard using bolts **K** and allen key **J**.



Assembly Instructions

Step 13

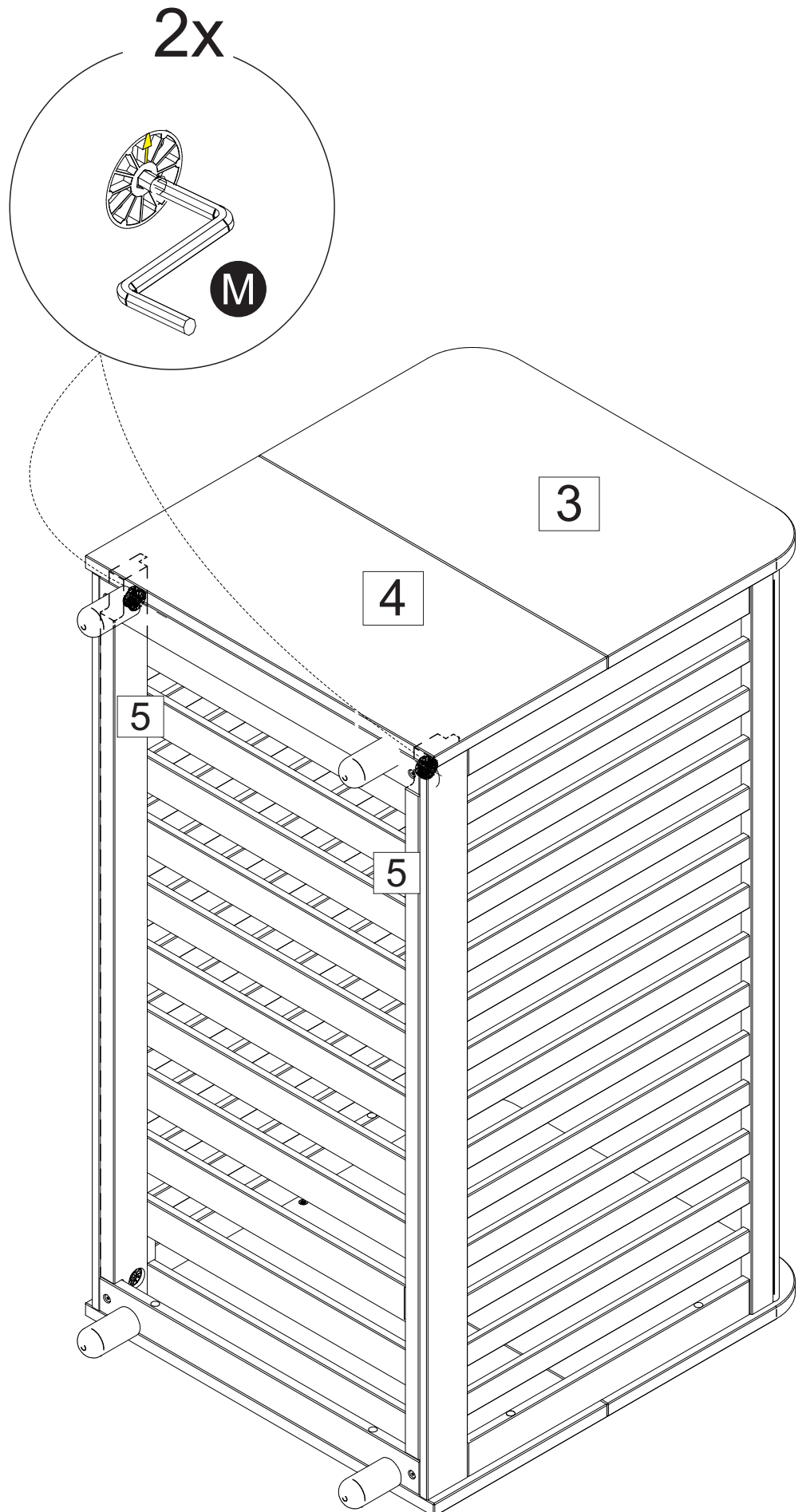
Fit other headboard to the assembled cot and fix using bolts **K** and allen key **J**.



Assembly Instructions

Step 14


Using L key, turn large locking nuts **M** clockwise



Assembly Instructions

Step 16

a) Screw metal dowels **D** into changer side panel **8**.

 **Note:** Insert metal dowels as far as shown.

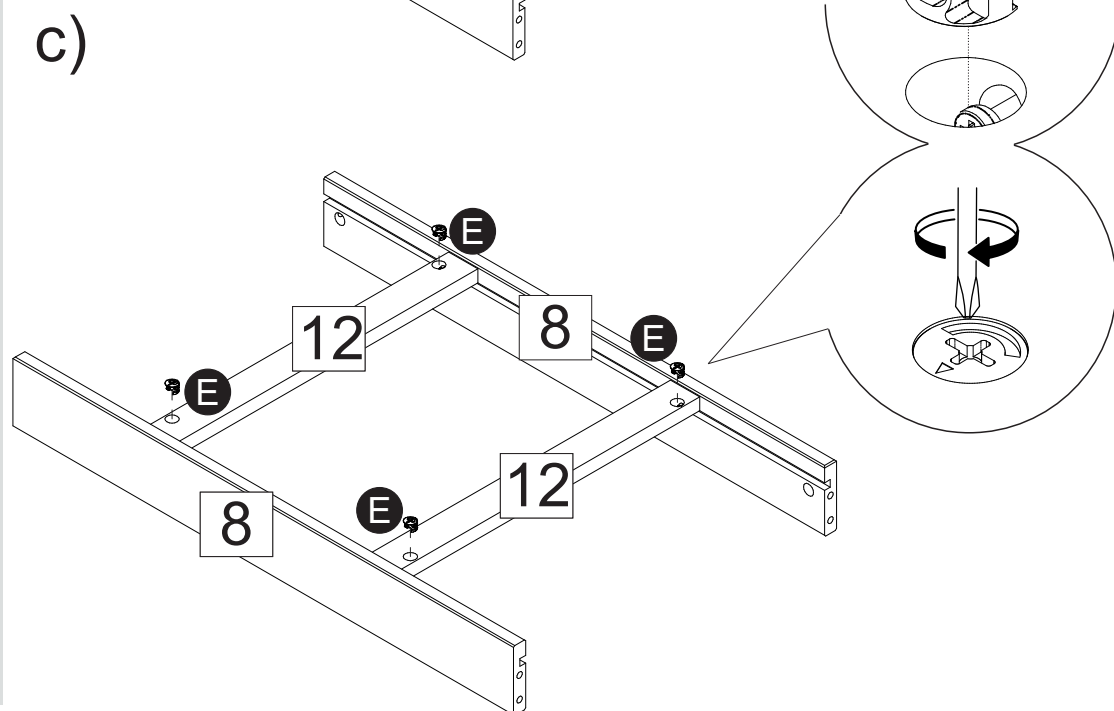
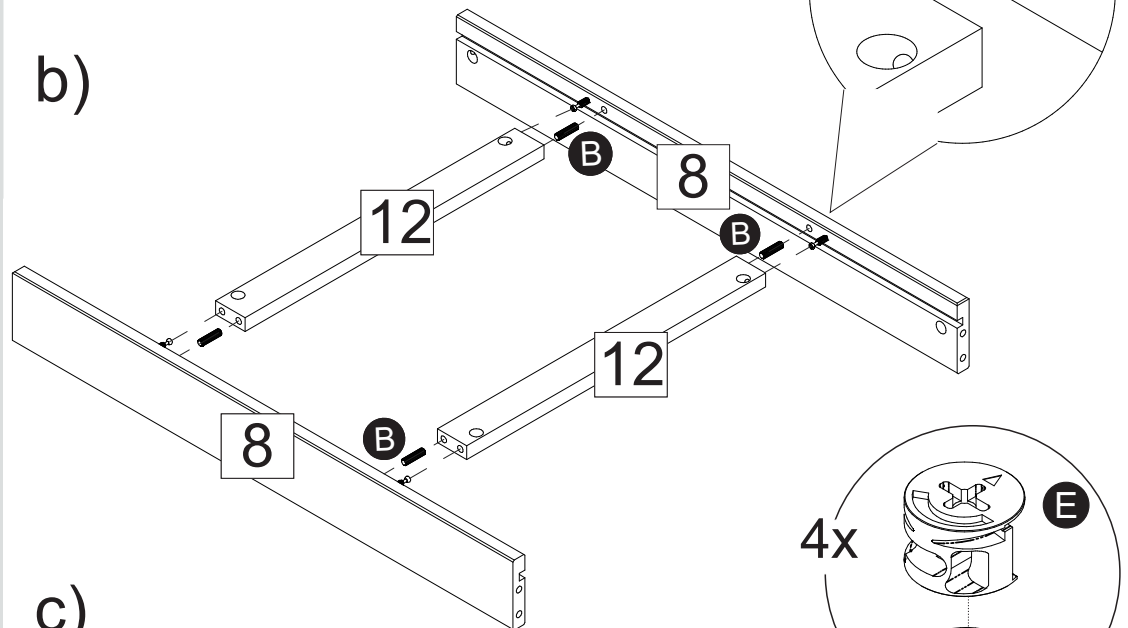
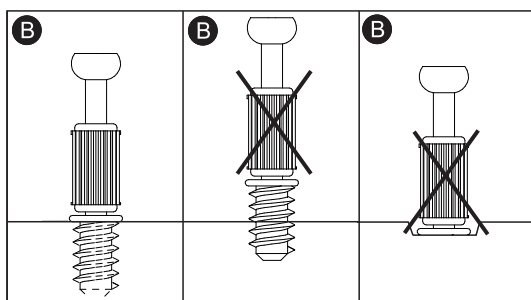
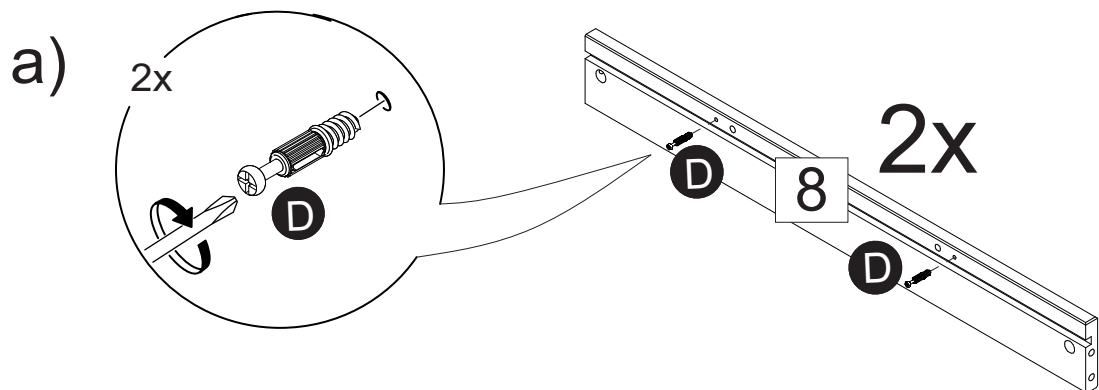
Do not over tighten.

b) insert wooden dowels **B** into changer support bars **12** and fit them to the changer side panels **8**.

c) Insert locking nuts **E** into changer support bars **12**.

Use a screwdriver to turn locking nuts **E** clockwise to lock.

Do not overtighten.



Assembly Instructions

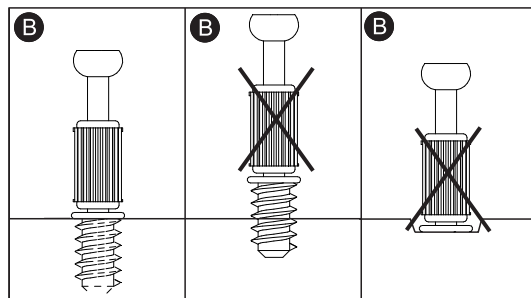
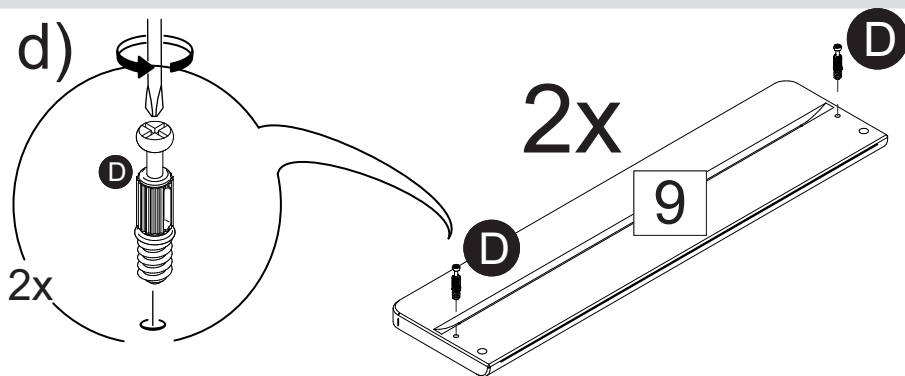
Step 17

d) Screw metal dowels **D** into changer front panel **9**.

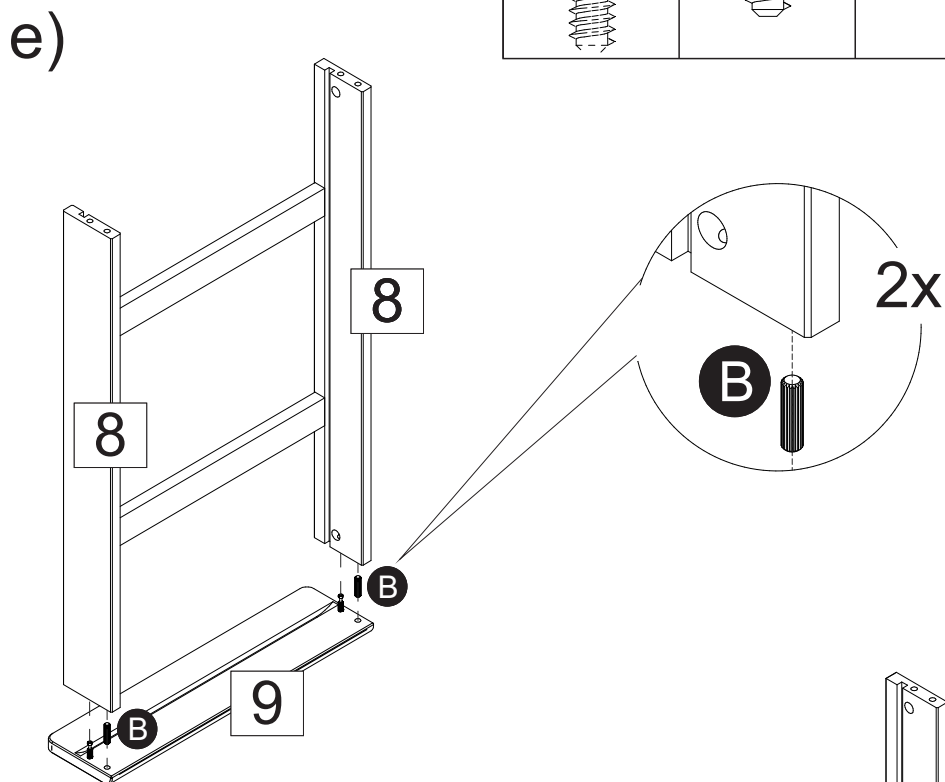


Note: Insert metal dowels as far as shown.

Do not over tighten.



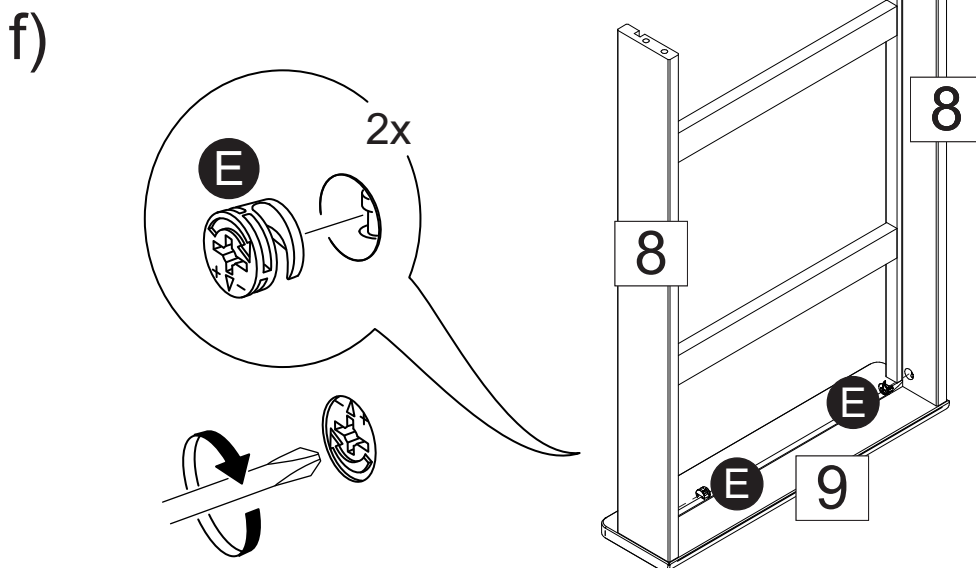
e) Insert wooden dowels **B** into changer front panel **9** and fit it to the changer side panels **8**.



f) Insert locking nuts **E** into changer side panels **8**.

Use a screwdriver to turn locking nuts clockwise to lock.

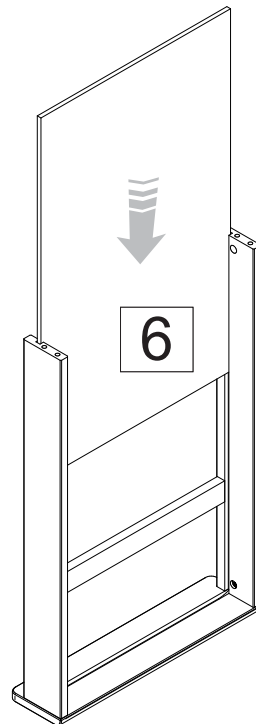
Do not overtighten.



Assembly Instructions

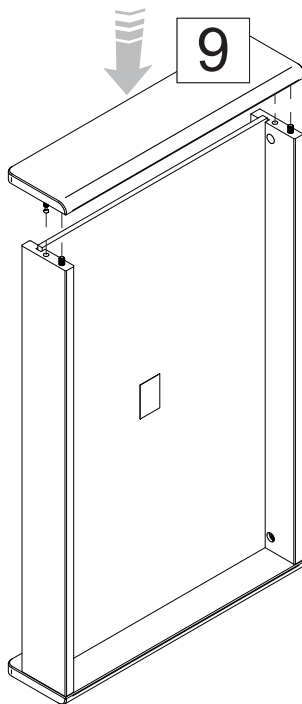
g) Slide changer bottom **6** into grooves on changer side panels.

g)



h) Fit changer front panel **9** to the changer bottom.

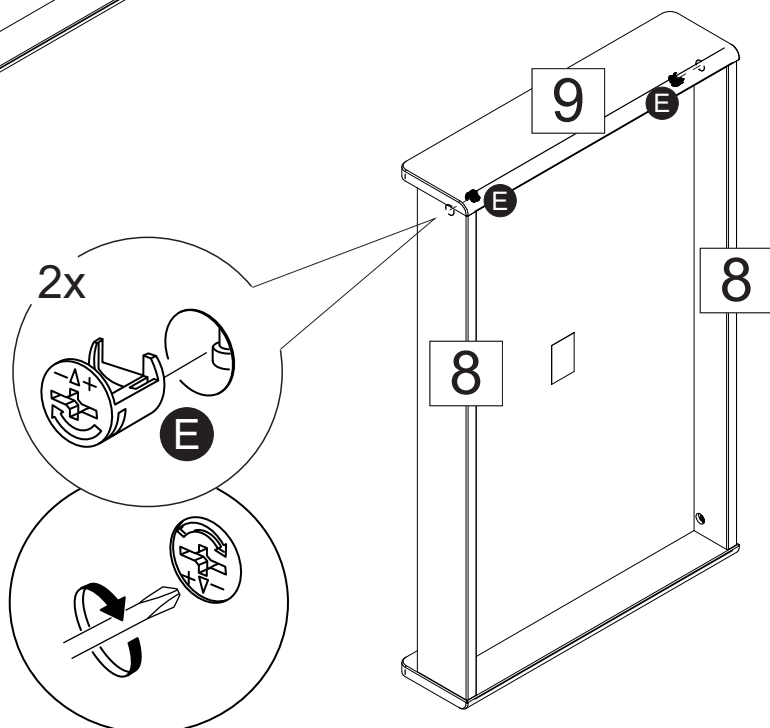
h)



i) Insert locking nuts **E** into changer side panels **8**. Use a screwdriver to turn locking nuts clockwise to lock.

i)

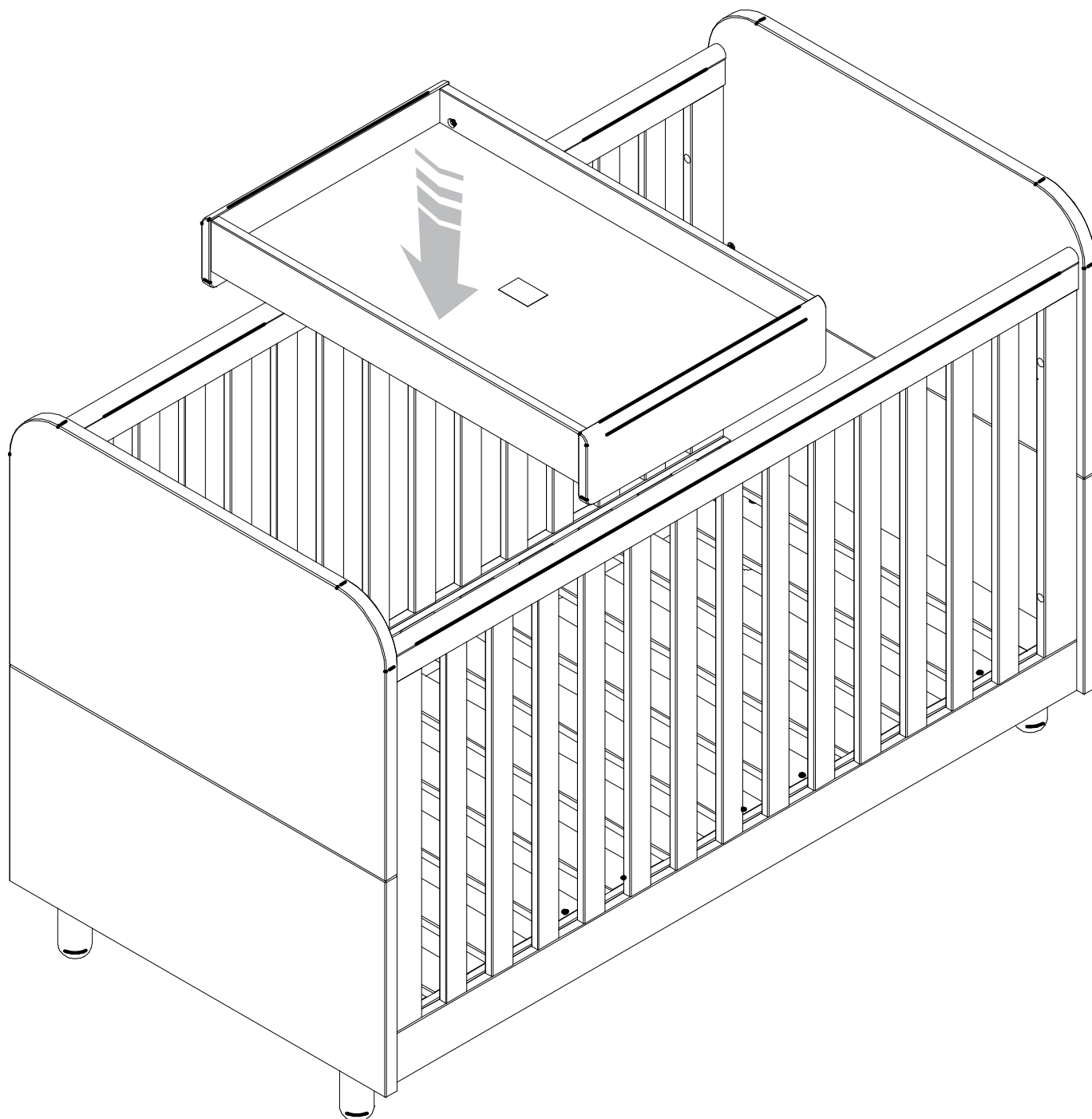
Do not over tighten.



Assembly Instructions

Step 18

Place changer onto cotbed.



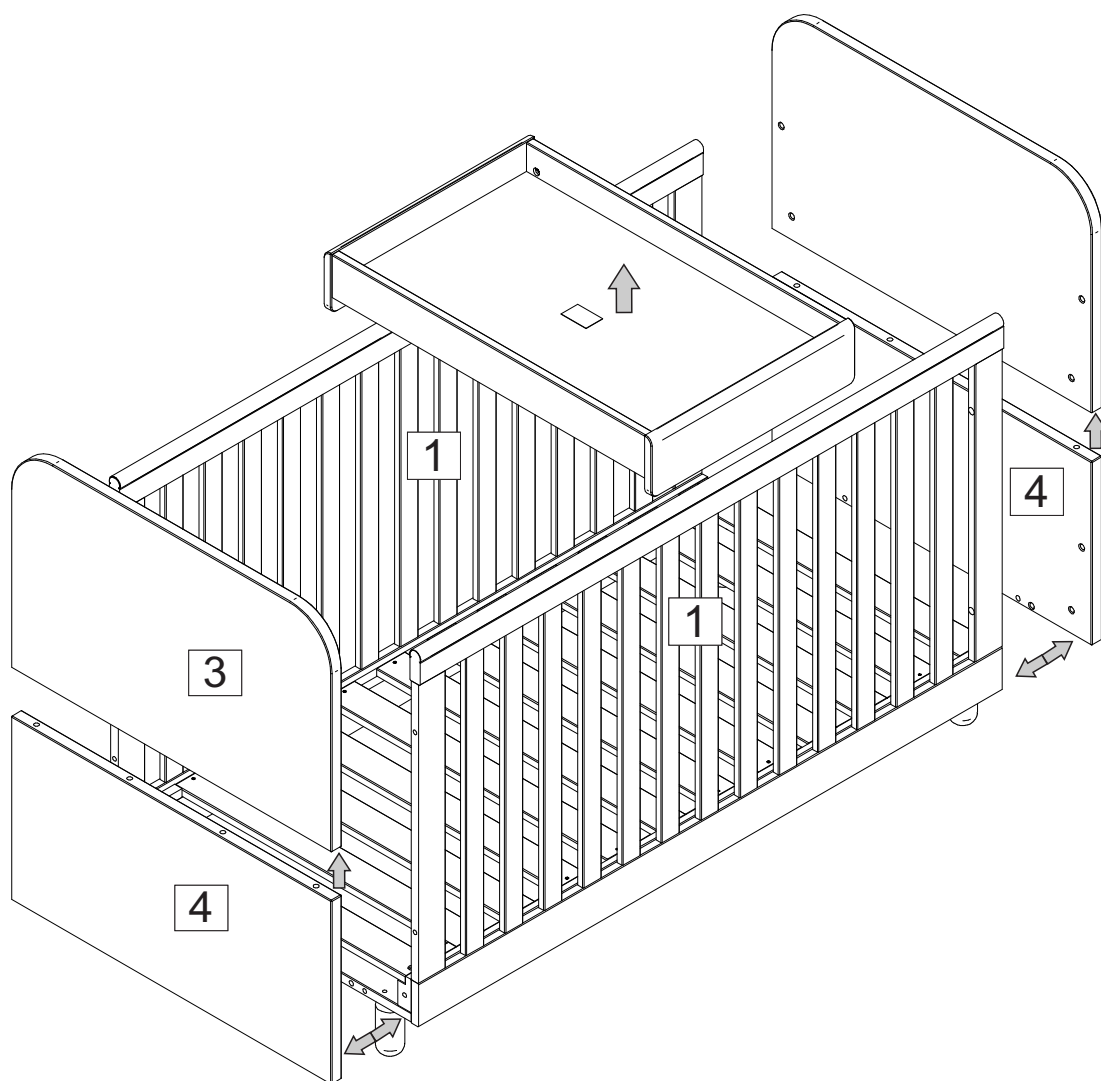
Assembly Instructions

Step 19

Assembling toddler bed

Remove all bolts from the headboard, cotbase and side frames and take the cotbed apart.

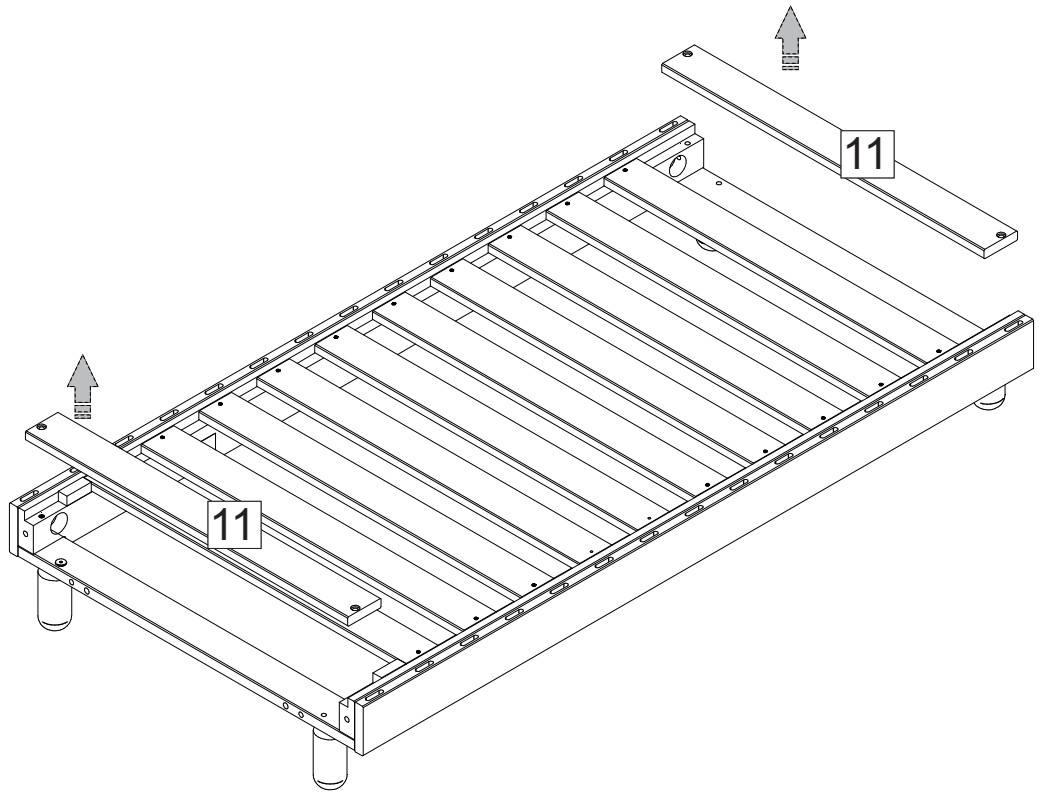
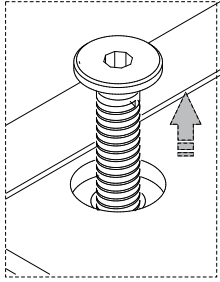
TODDLER BED



Assembly Instructions

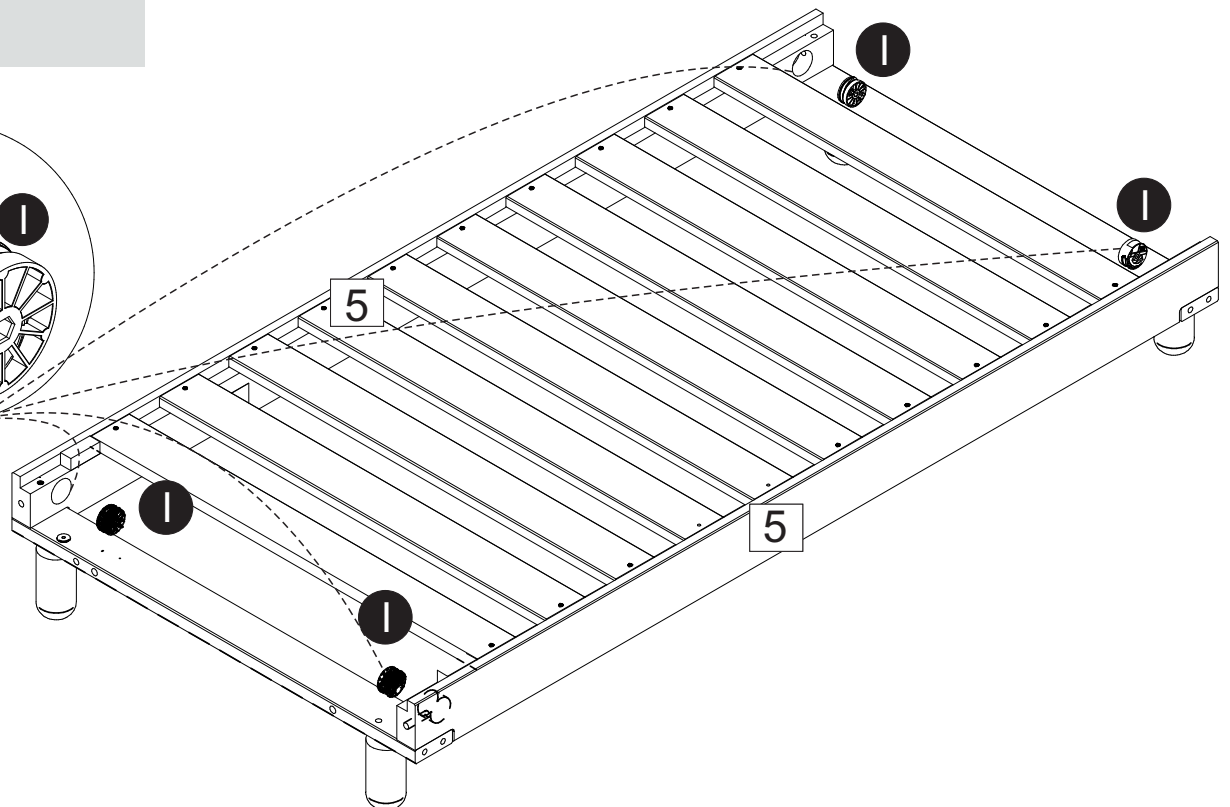
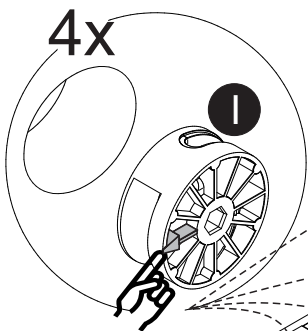
Step 20

Remove slats **11** from the base.



Step 21

Insert large locking nut **1** to the side frames.



Assembly Instructions

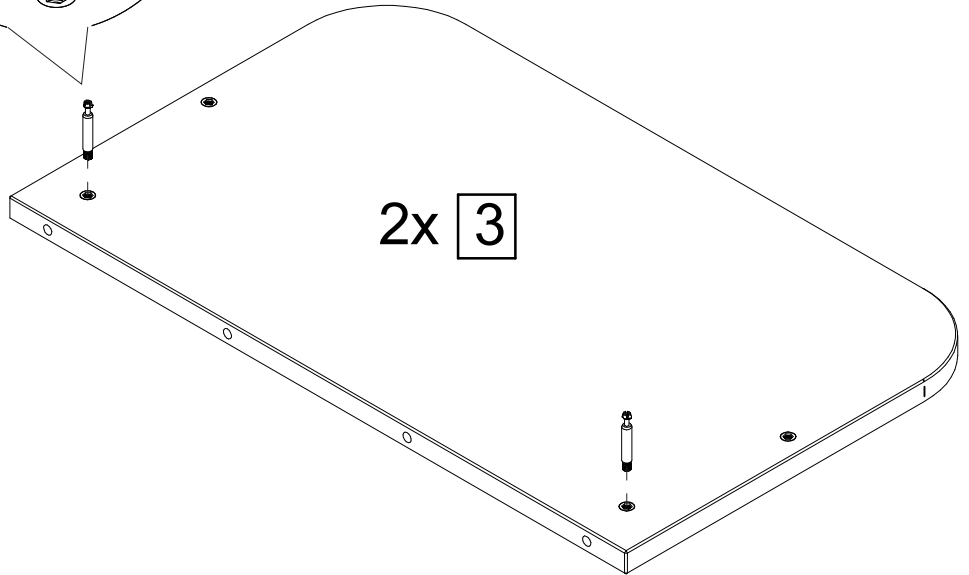
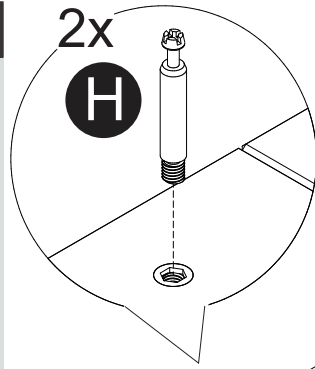
Step 22

a) Screw metal dowels **H** into headboard top **3**.



Note: Insert metal dowels as far as shown.

Do not over tighten.

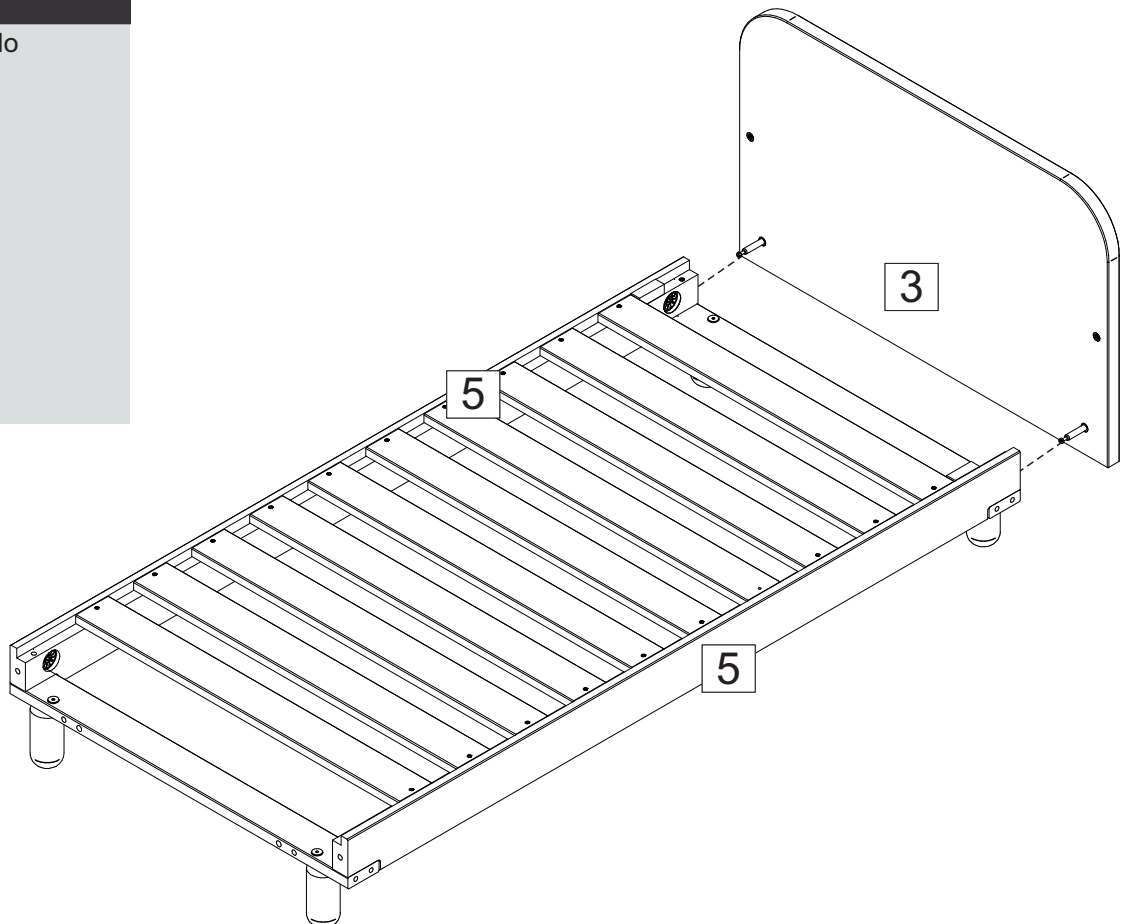


2x

2x 3

Step 23

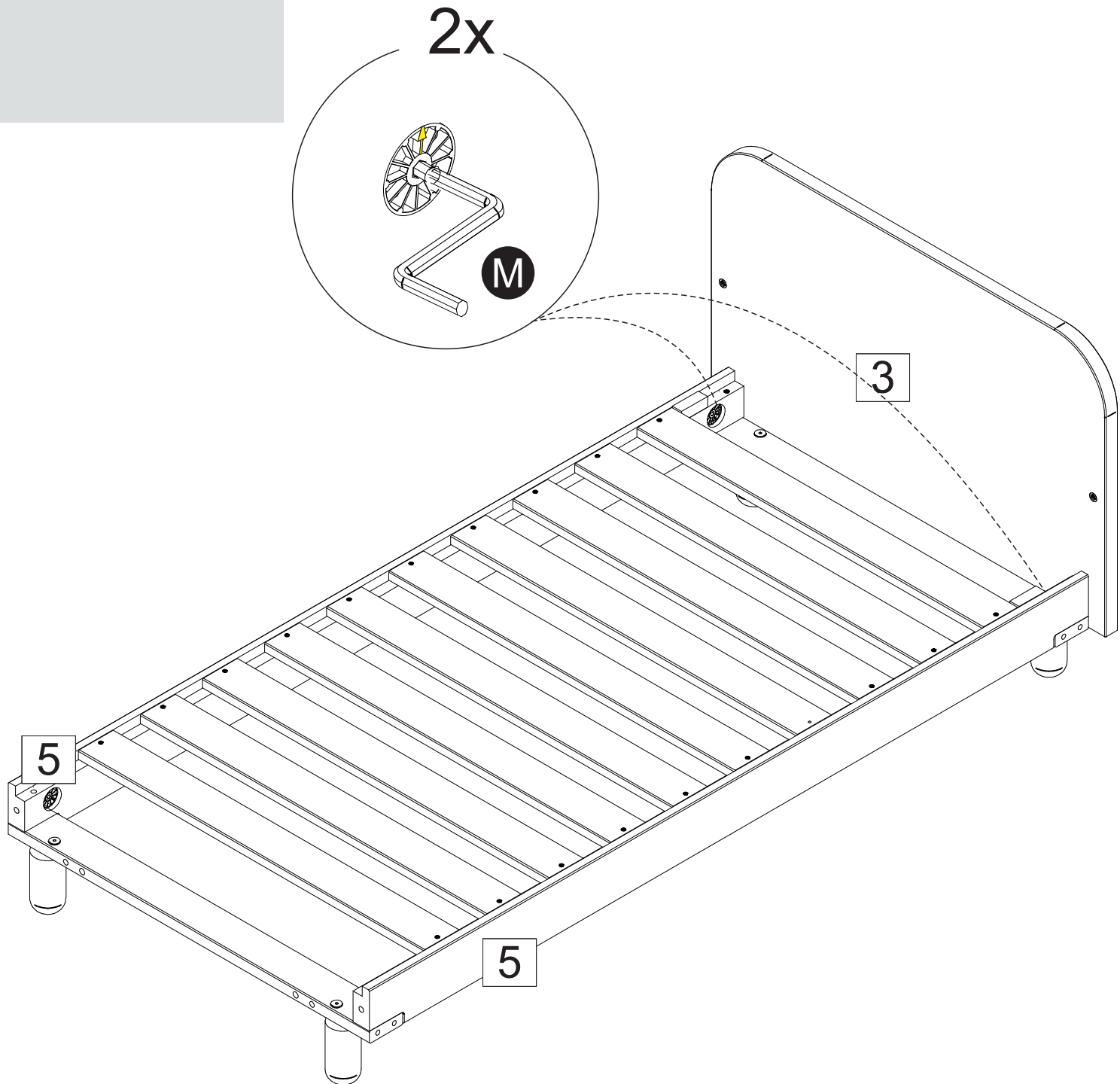
Fit assembled frame do headboard top.



Assembly Instructions

Step 24

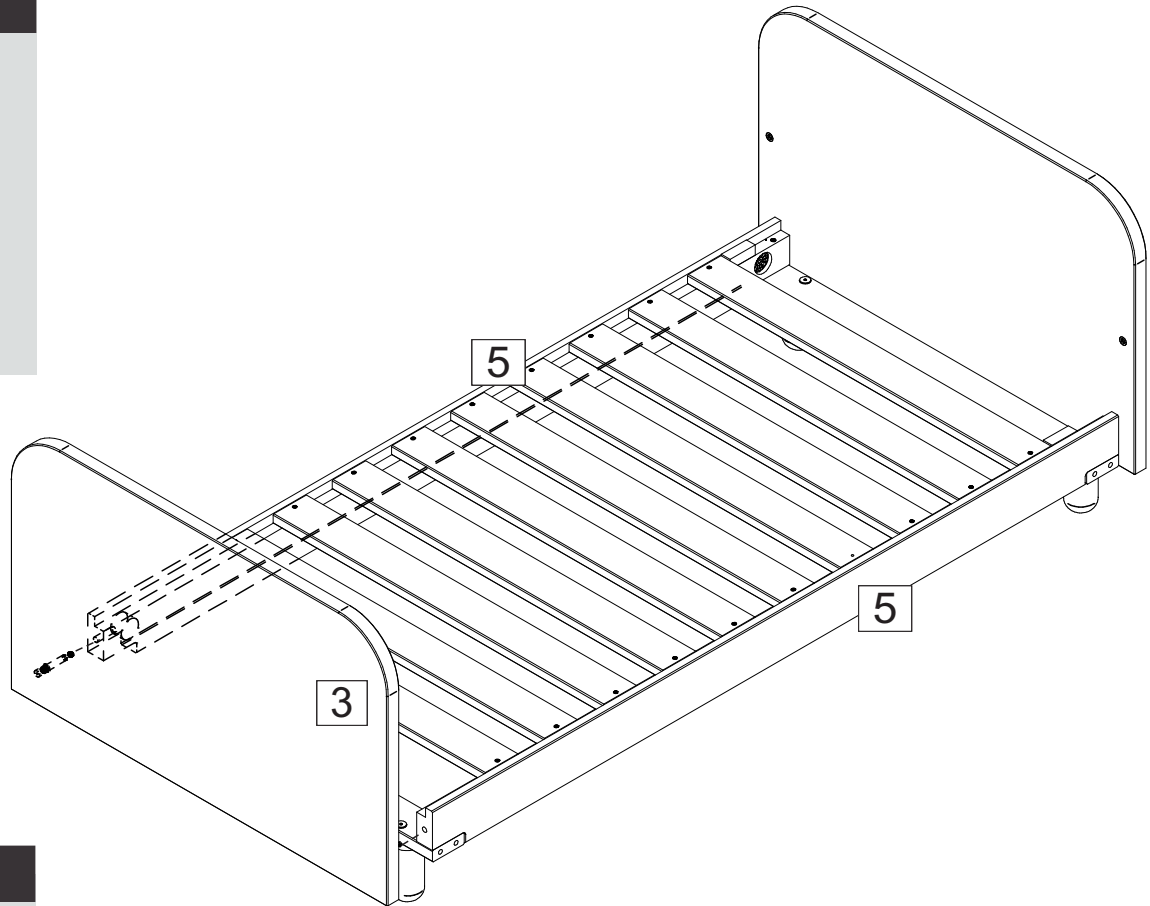
Using L key **M** turn large locking nuts clockwise to lock.



Assembly Instructions

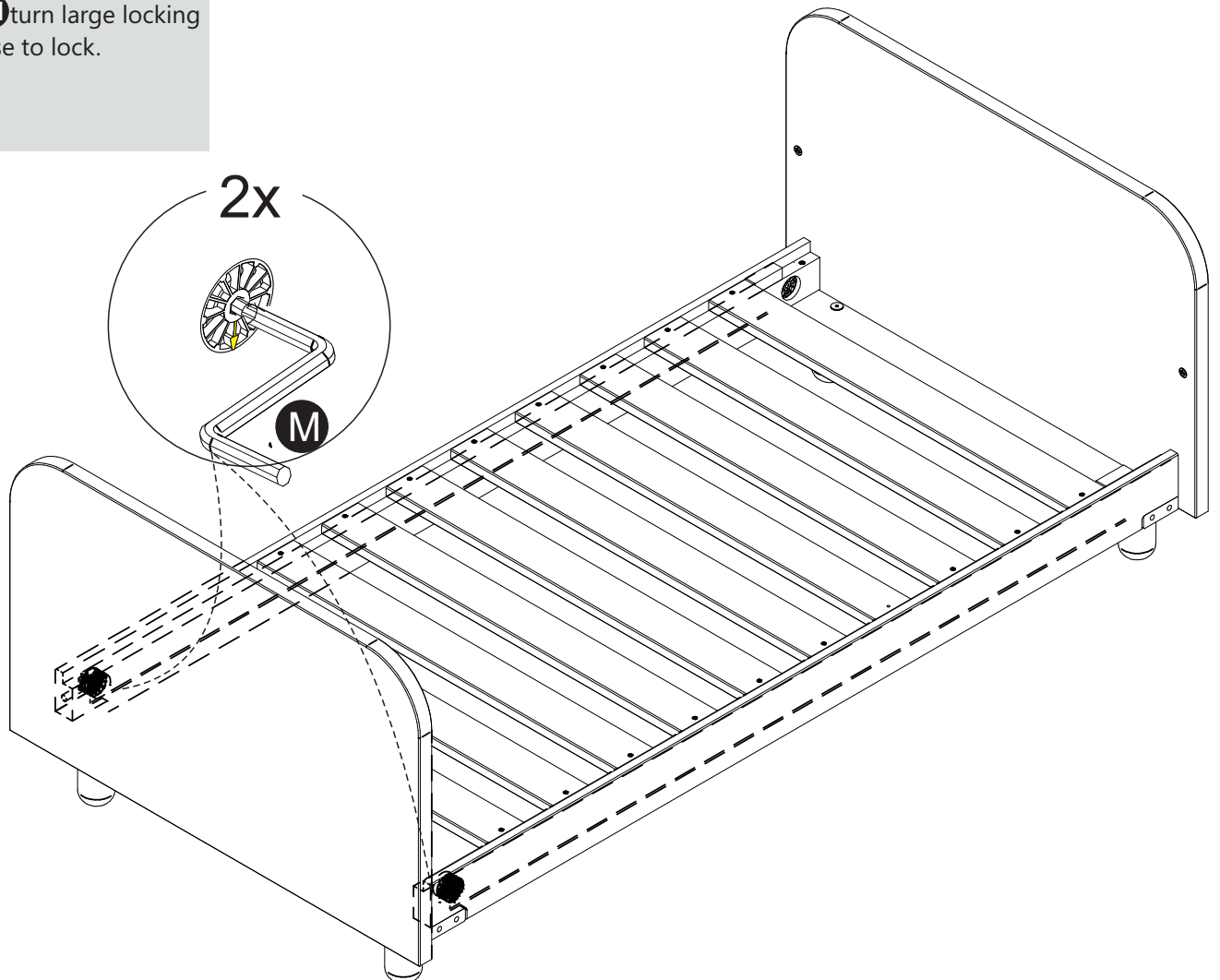
Step 25

Fit the other headboard top to the assembled frame.



Step 26

Using L key **M** turn large locking nuts I clockwise to lock.

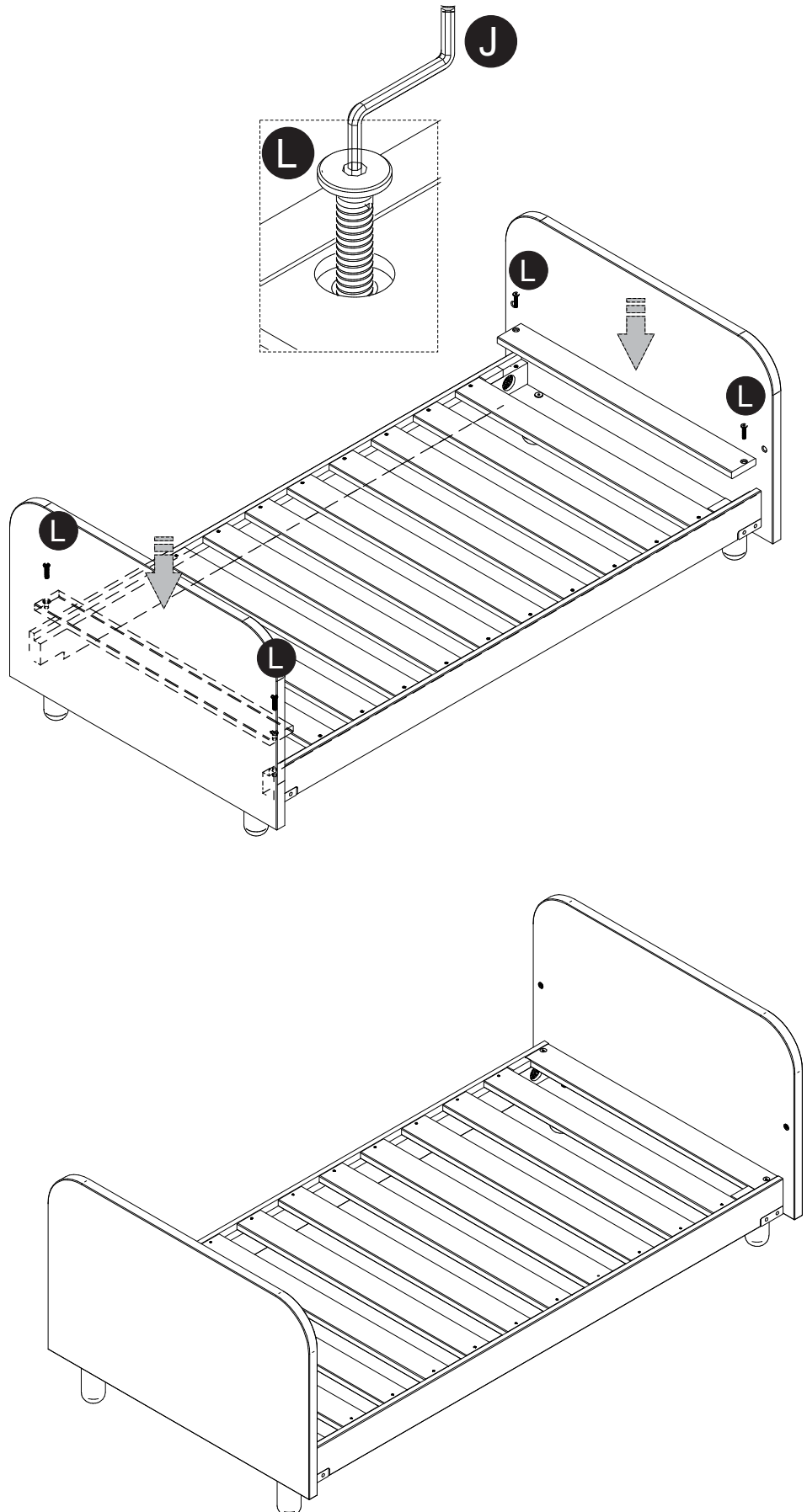


Assembly Instructions

Step 27

With help, carefully turn the bed upright.

Insert slats **11** to the base and fix using screws **L** and Allen key **J**



Assemble is complete!

If you need help or have damaged or missing parts, call the **Customer Helpline: 03456 400 800**