

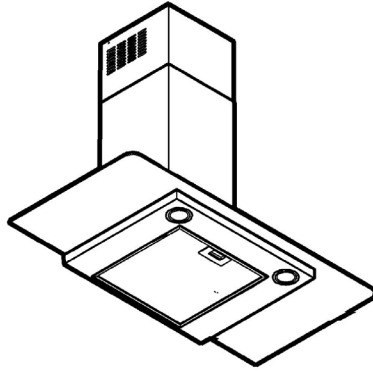
EN

English, 13

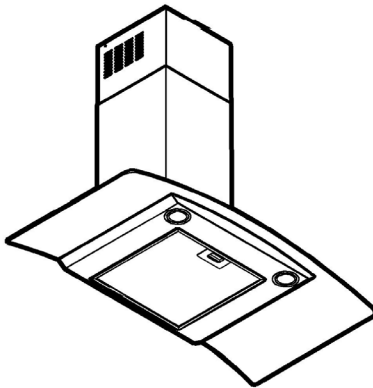
Instructions for use

PHBS6.7FLLIX
PHGC6.5FABX
PHGC7.5FABX
PHGC9.5FABX
PHFG9.5FABX
PHFG6.5FABX
PHFG7.5FABX
PHBS 6.8F LTI X
PHBS 9.8F LTI X
PHC6.7FLTIX
PHC9.7FLTIX
PHC6.7FLBIX
PHC7.7FLBIX

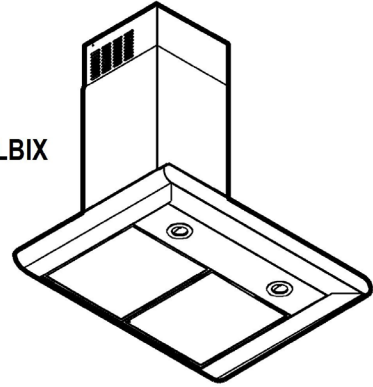
PHFG9.5FABX
PHFG6.5FABX
PHFG7.5FABX



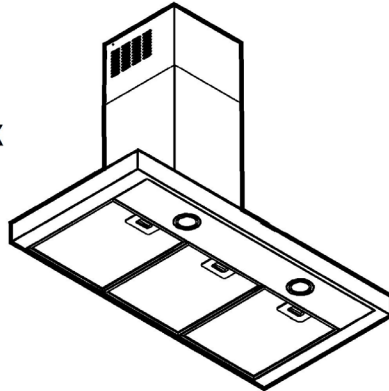
PHGC6.5FABX
PHGC7.5FABX
PHGC9.5FABX



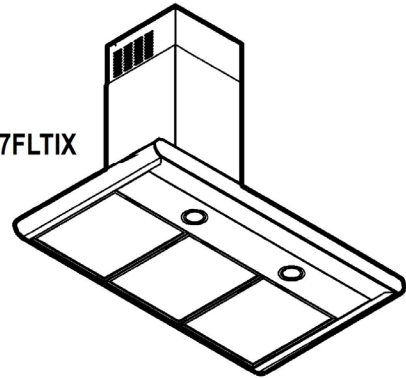
PHC7.7FLBIX



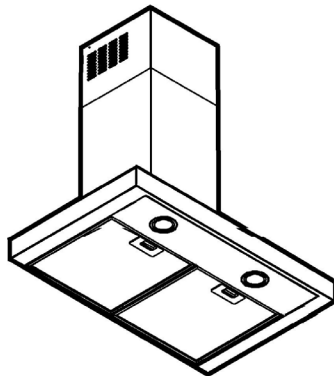
PHBS 9.8F LTI X



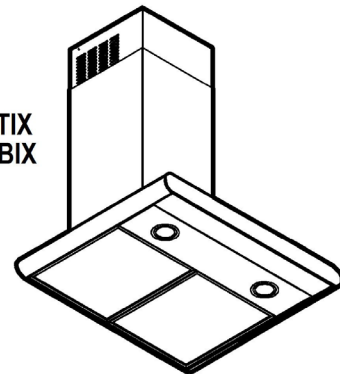
PHC9.7FLTIX

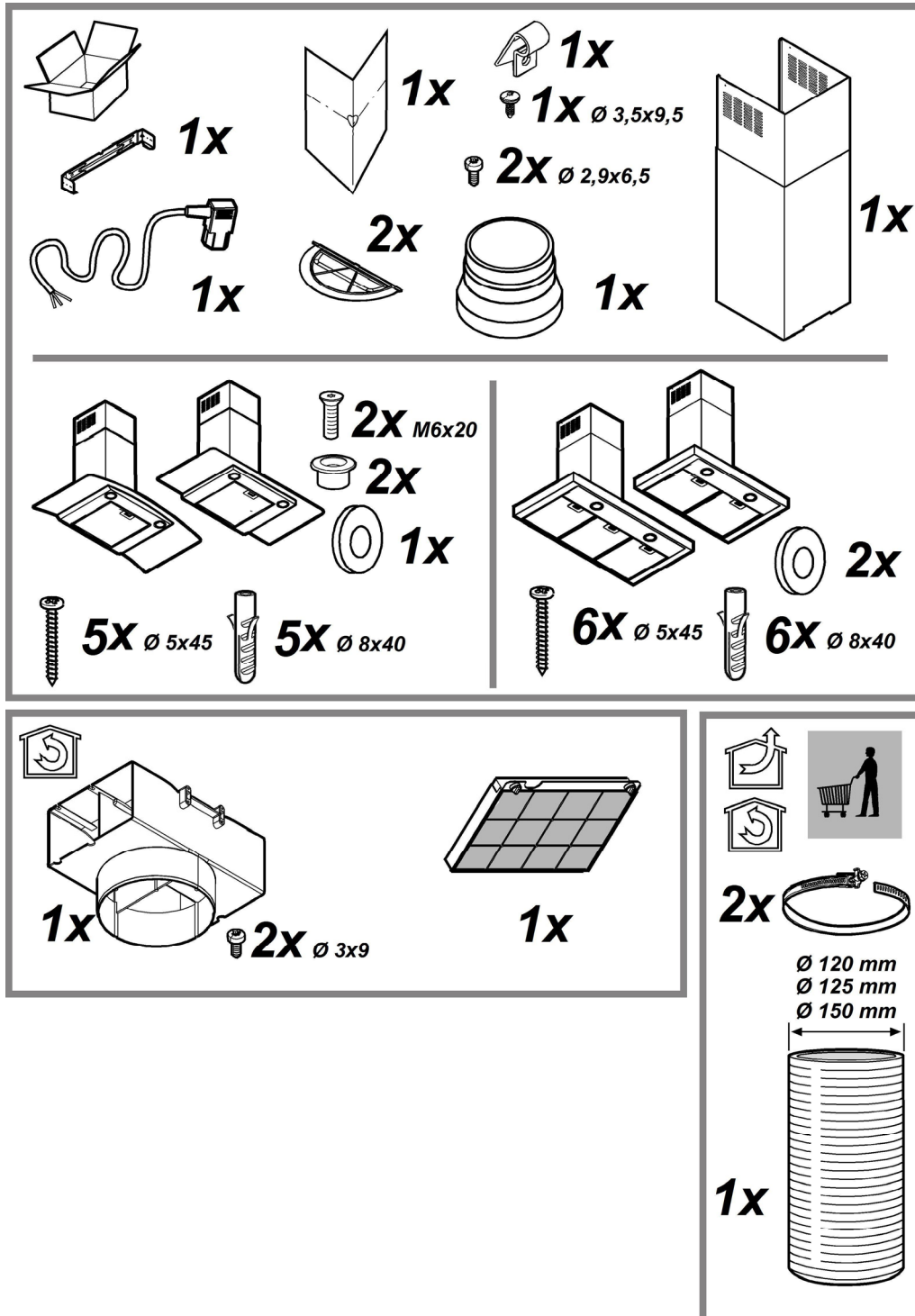


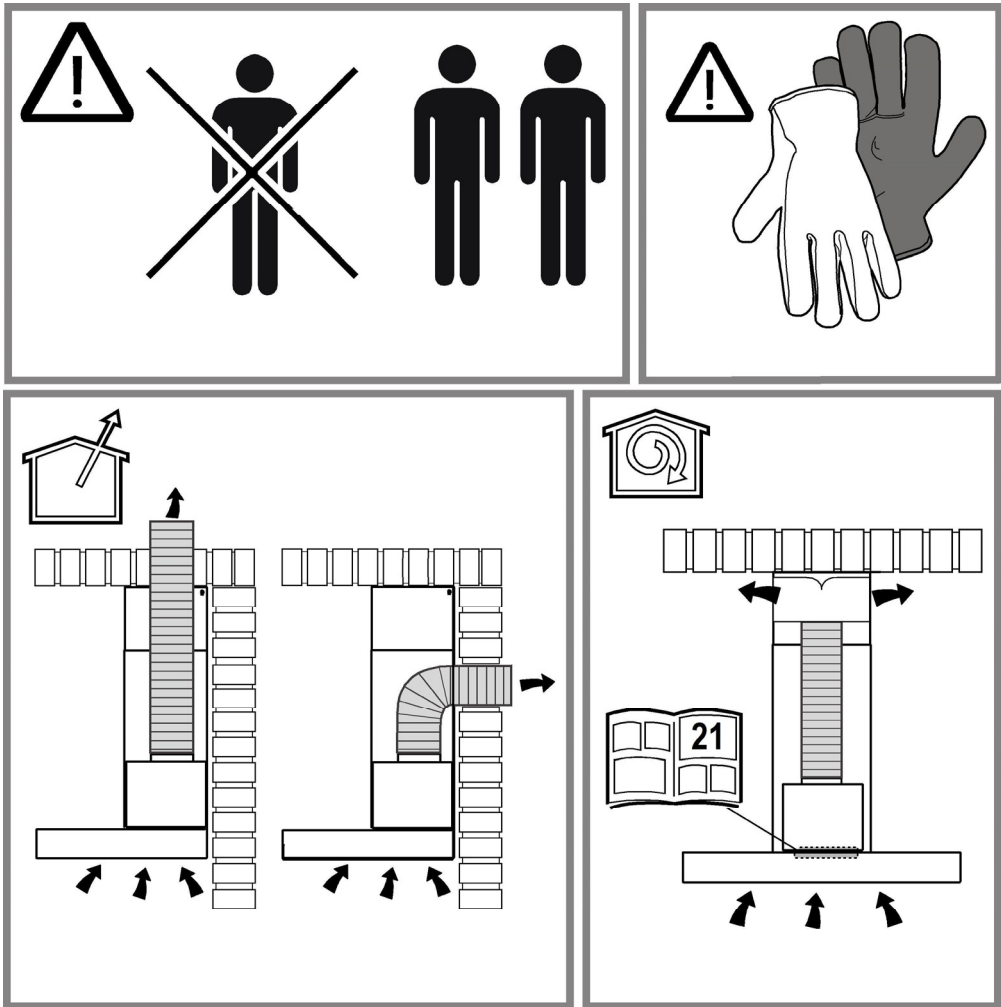
PHBS6.7FLIX
PHBS 6.8F LTI X

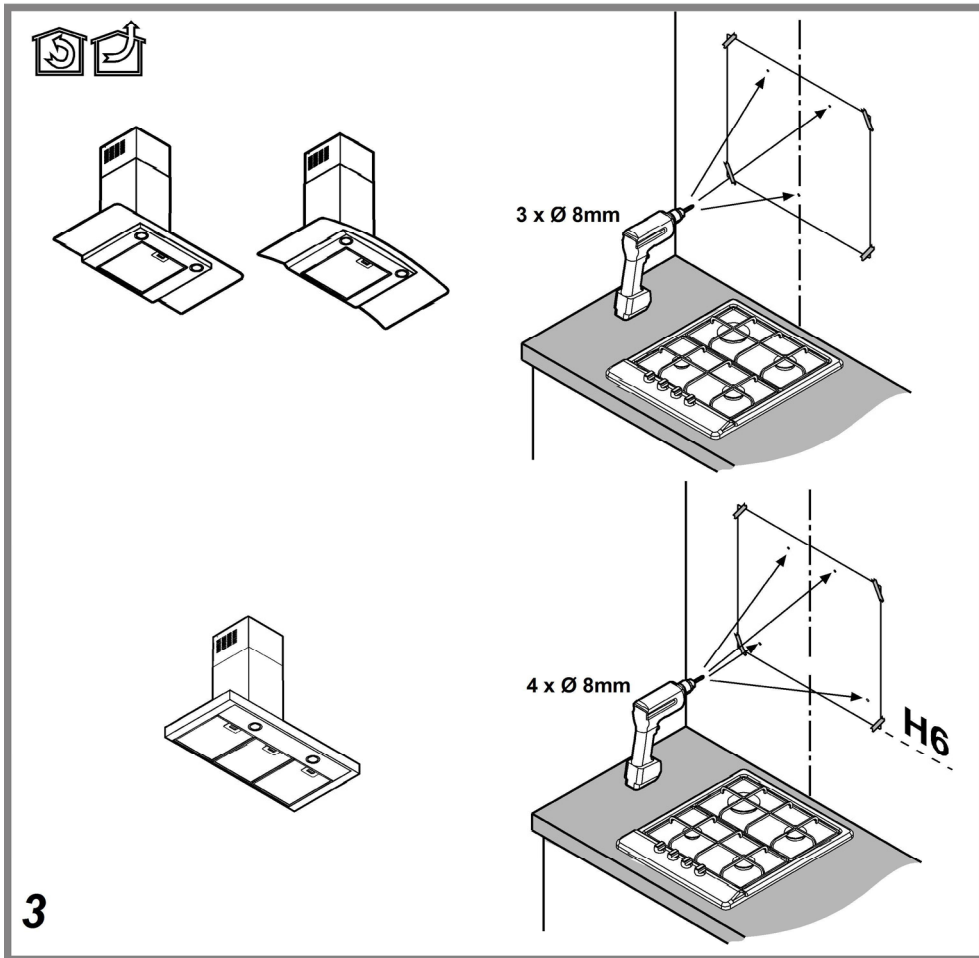
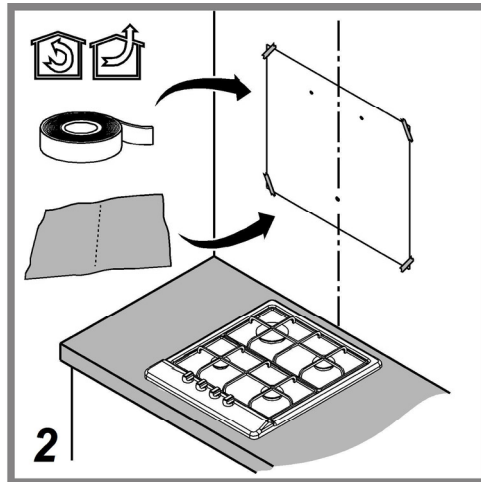
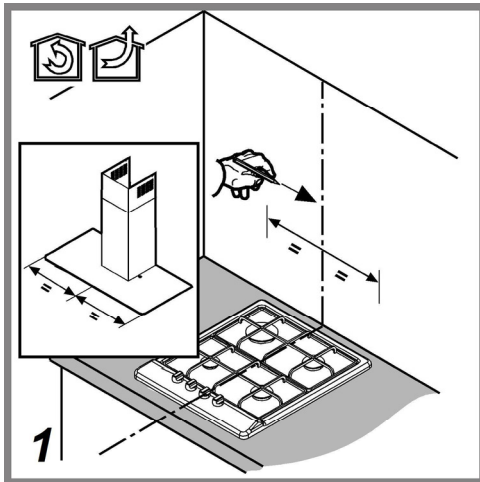


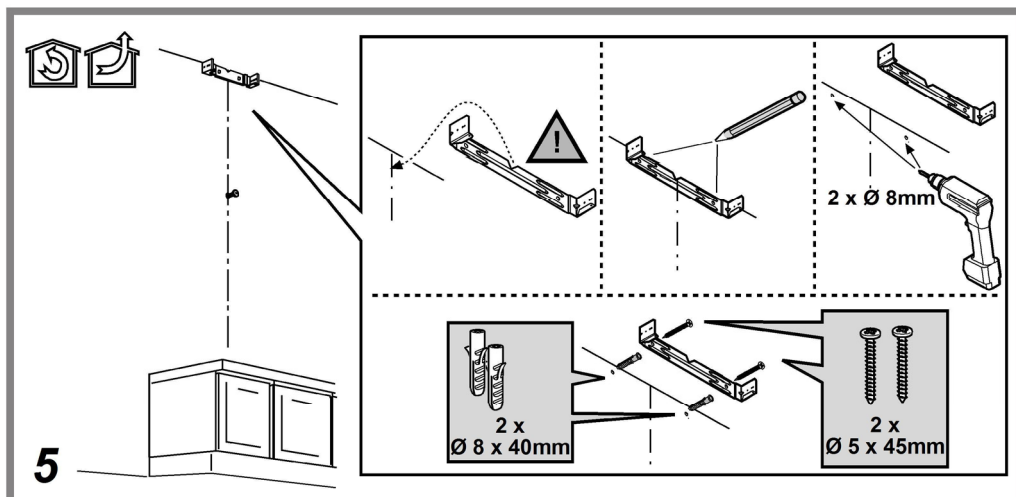
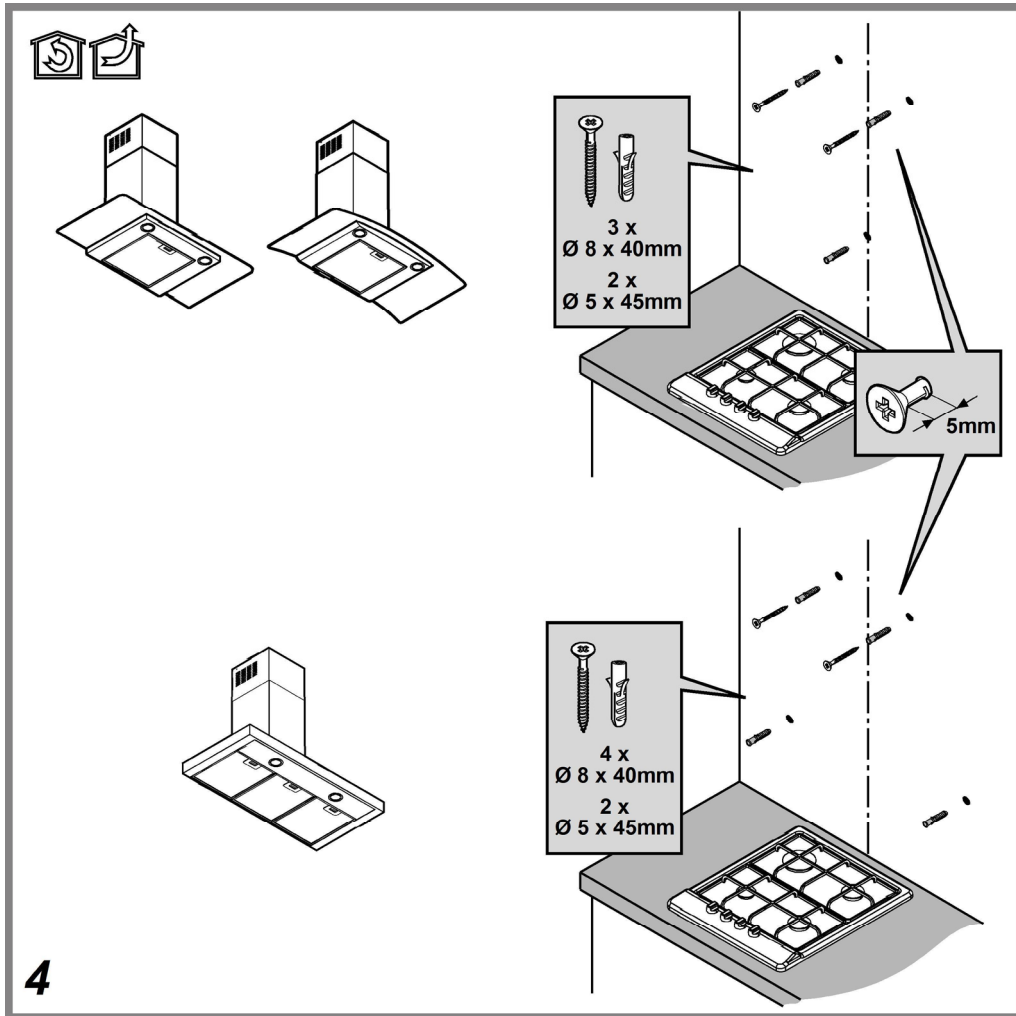
PHC6.7FLTIX
PHC6.7FLBIX

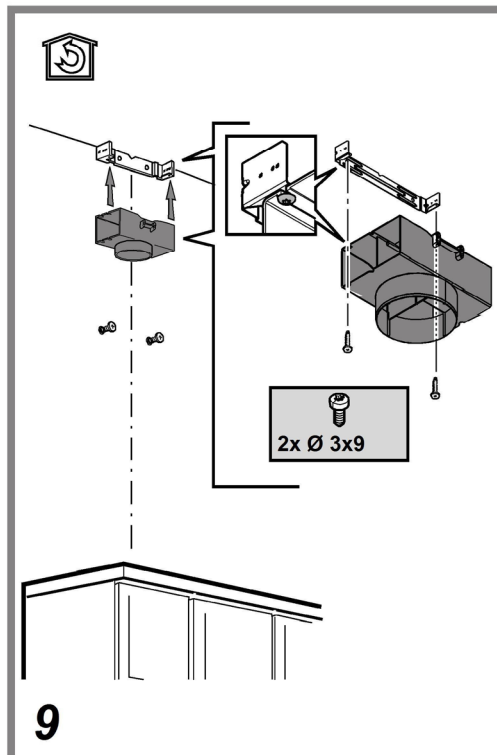
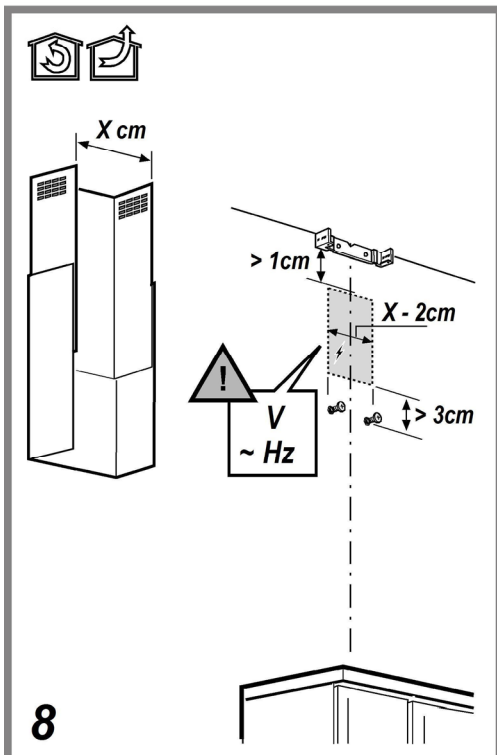
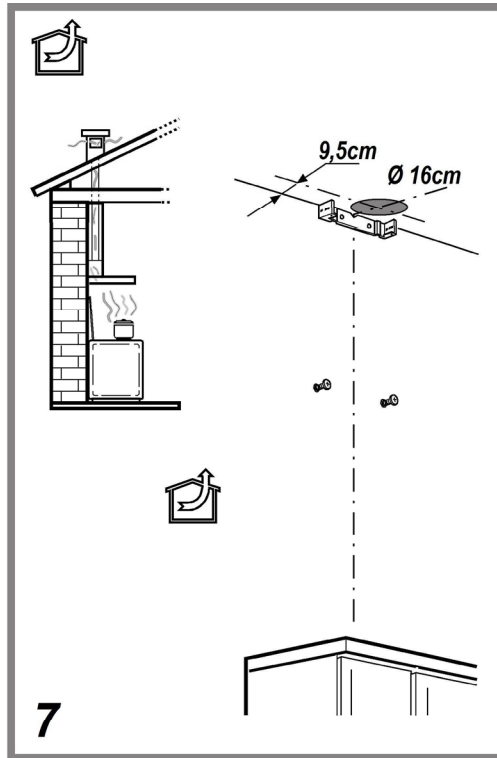
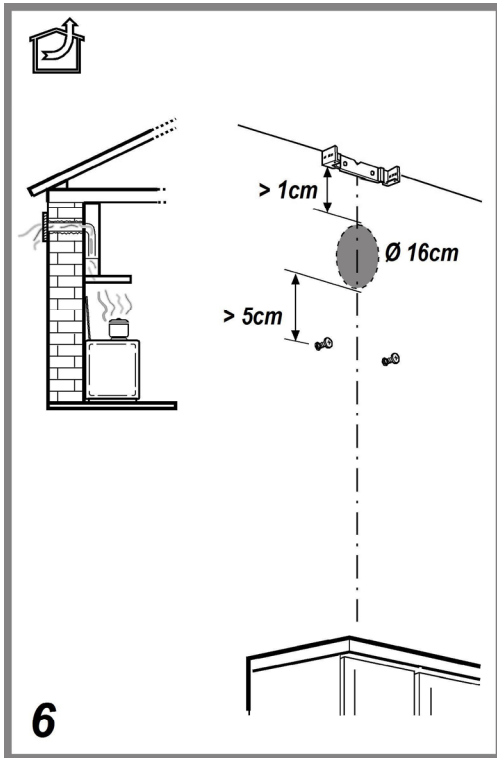


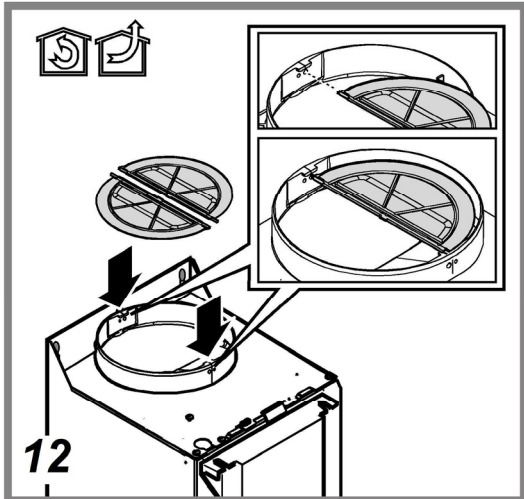
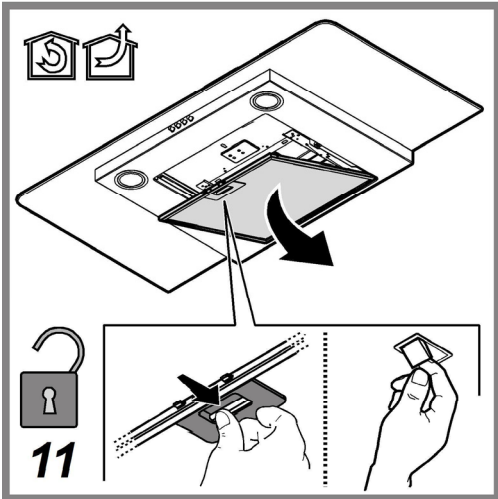
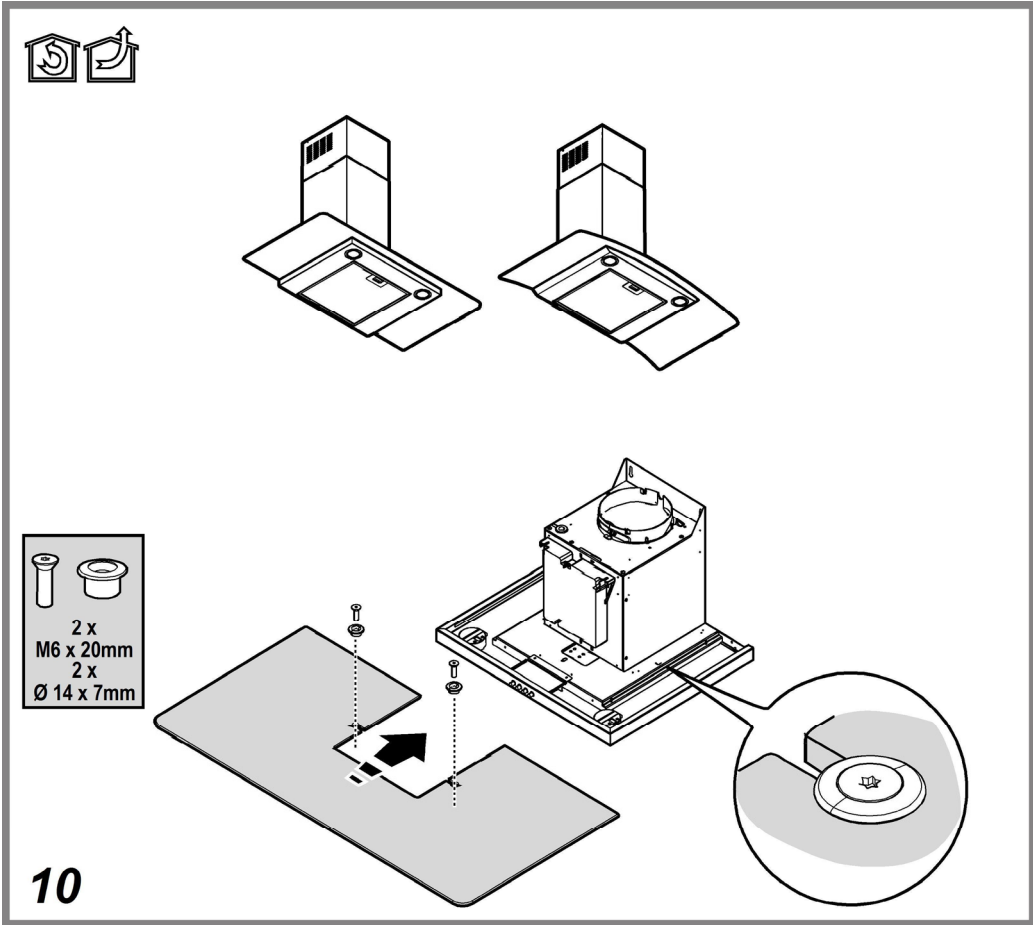


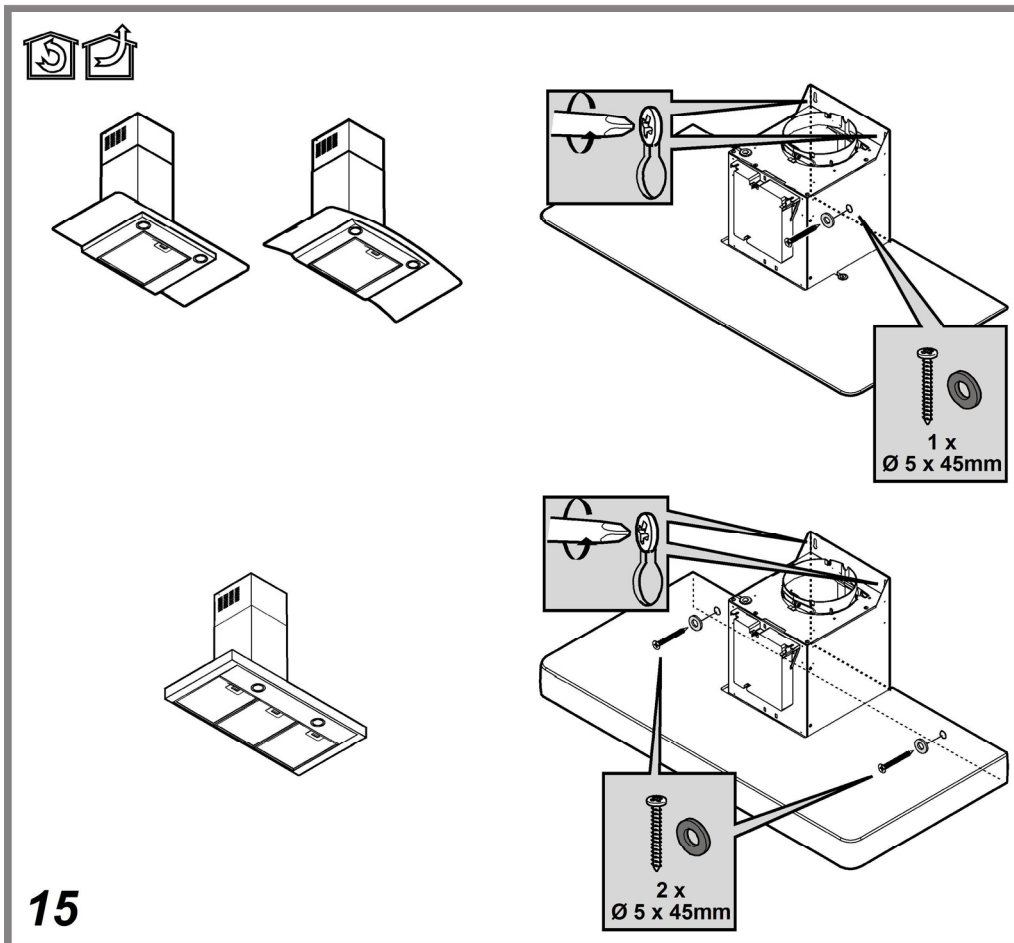
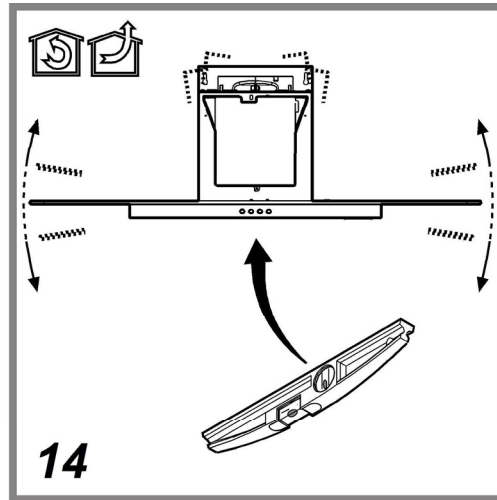
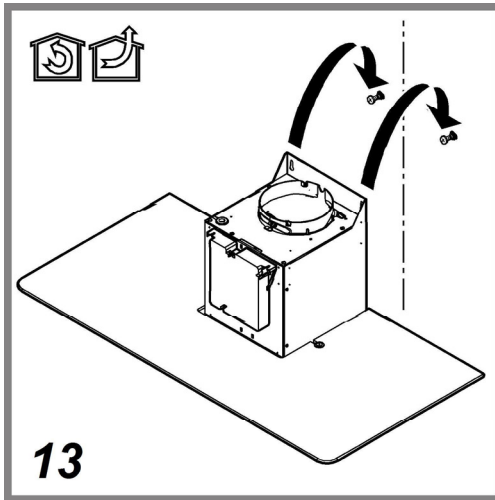


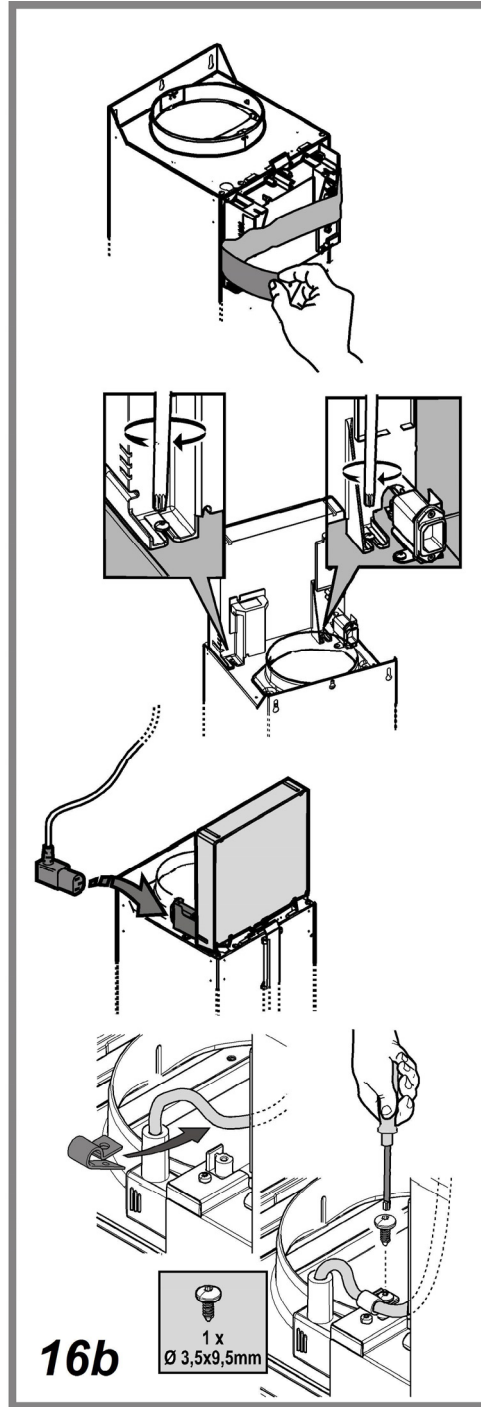
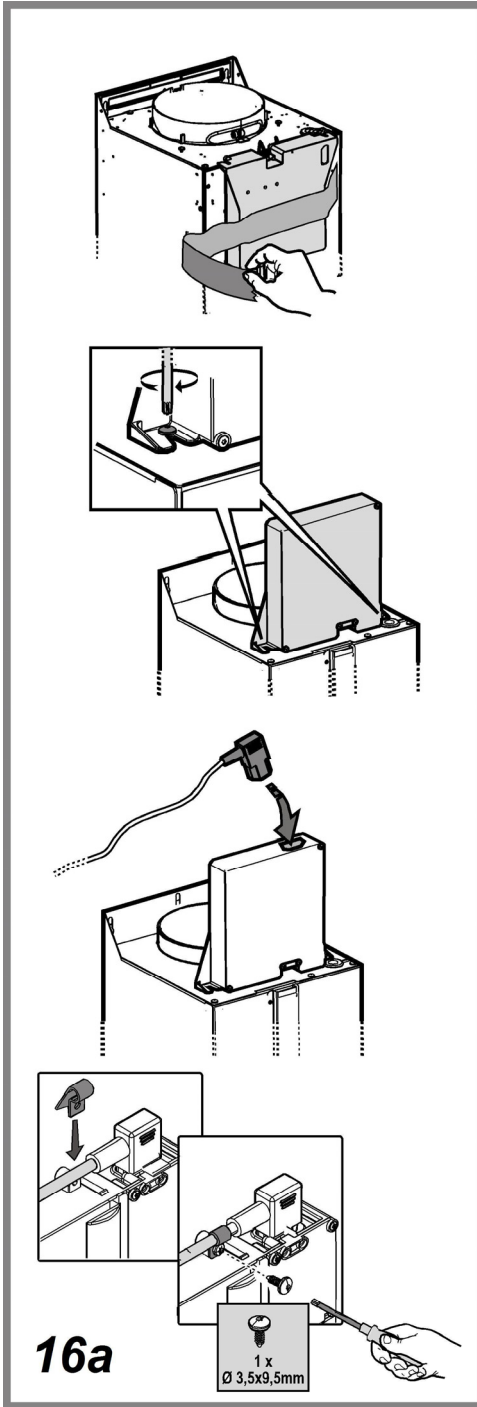


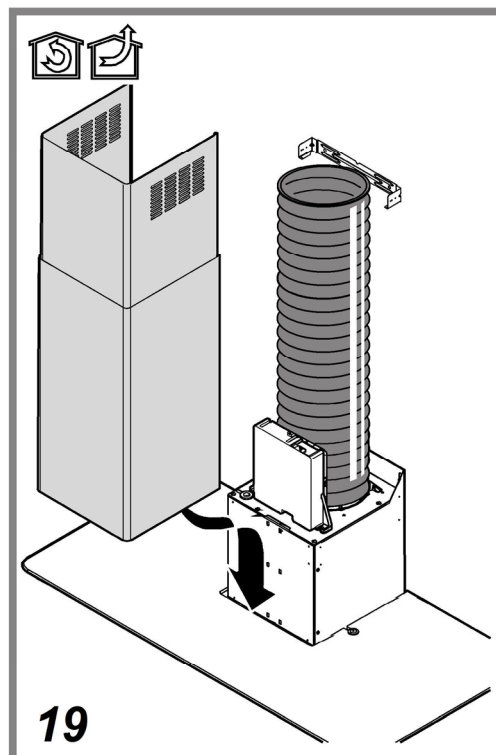
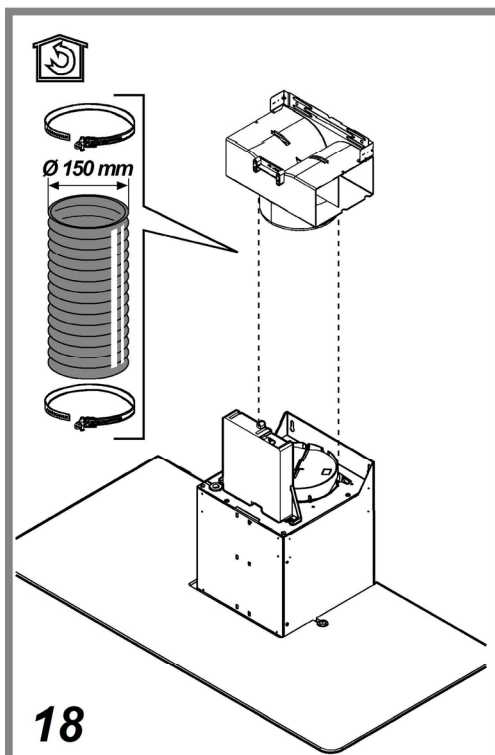
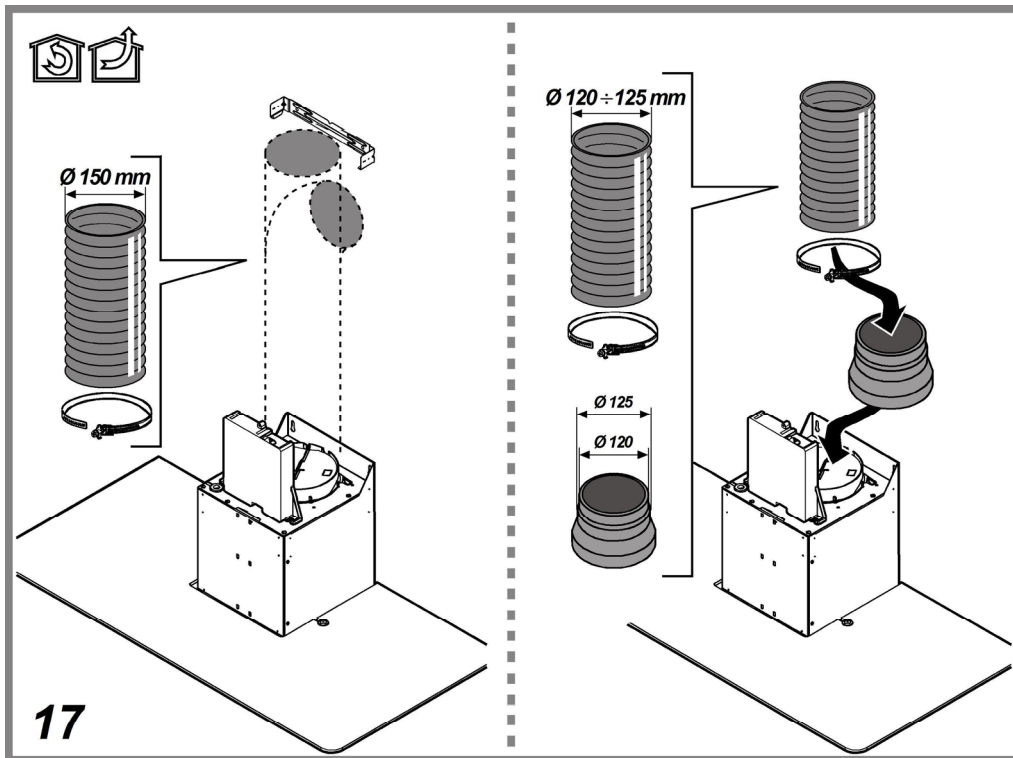


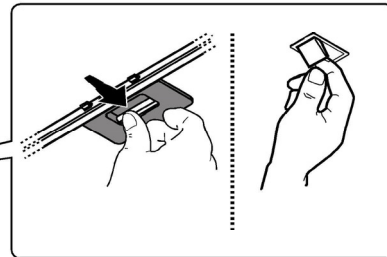
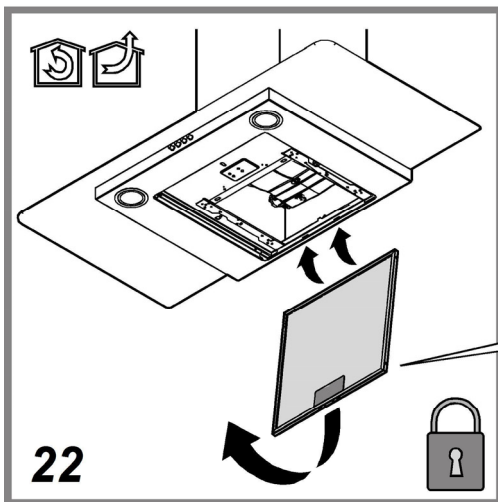
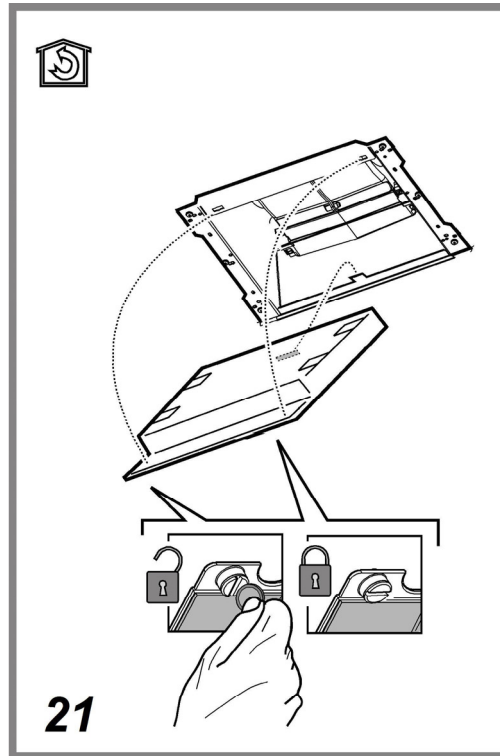
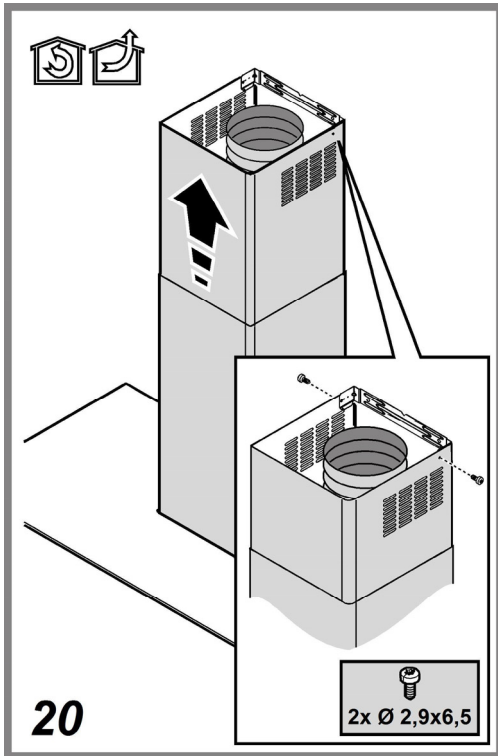












GENERAL SAFETY

Before any cleaning or maintenance operation, disconnect hood from the mains by removing the plug or disconnecting the mains electrical supply.

Always wear work gloves for all installation and maintenance operations.

This appliance can be used by children aged from 8 years and above and persons with reduced physical, sensory or mental capabilities or lack of experience and knowledge if they have been given supervision or instruction concerning use of the appliance in a safe way and understand the hazards involved.

Children shall not be allowed to tamper with the controls or play with the appliance.

Cleaning and user maintenance shall not be made by children without supervision.

The premises where the appliance is installed must be sufficiently ventilated, when the kitchen hood is used together with other gas combustion devices or other fuels.

The hood must be regularly cleaned on both the inside and outside (AT LEAST ONCE A MONTH).

This must be completed in accordance with the maintenance instructions provided. Failure to follow the instructions provided regarding the cleaning of the hood and filters will lead to the risk of fires.

Do not flambé under the range hood.

The use of exposed flames is detrimental to the filters and may cause a fire risk, and must therefore be avoided in all circumstances.

Any frying must be done with care in order to make sure that the oil does not overheat and ignite.

CAUTION: Accessible parts of the hood may become hot when used with cooking appliances.

For lamp replacement use only lamp type indicated in the Maintenance/Replacing lamps section of this manual.

WARNING! Do not connect the appliance to the mains until the installation is fully complete.

With regards to the technical and safety measures to be adopted for fume discharging it is important to closely follow the regulations provided by the local authorities.

The air must not be discharged into a flue that is used for exhausting fumes from appliance burning gas or other fuels.

Do not use or leave the hood without the lamp correctly mounted due to the possible risk of electric shocks.

Never use the hood without effectively mounted grids.

The hood must NEVER be used as a support surface unless specifically indicated.

Use only the fixing screws supplied with the product for installation or, if not supplied, purchase the correct screws type.

Use the correct length for the screws which are identified in the Installation Guide.

In case of doubt, consult an authorised service assistance centre or similar qualified person.

WARNING! Failure to install the screws or fixing device in accordance with these instructions may result in electrical hazards.

Do not use with a programmer, timer, separate remote control system or any other device that switches on automatically.

The hood can look different to that illustrated in the drawings in this booklet. The instructions for use, maintenance and installation, however, remain the same.

Closely follow the instructions set out in this manual. All responsibility, for any eventual inconveniences, damages or fires caused by not complying with the instructions in this manual, is declined. This appliance is intended to be used in household and similar application such as: - staff kitchen areas in shop, offices and other working environments; - farm houses; - by clients in hotels, motels and other residential type environments; - bed and breakfast type environments.

- ! It is important to conserve this booklet for consultation at any moment. In the case of sale, cession or move, make sure it is together with the product.
- ! Read the instructions carefully: there is important information about installation, use and safety.
- ! Do not carry out electrical or mechanical variations on the product or on the discharge conduits.
- ! Before proceeding with the installation of the appliance verify that there are no damaged all components. Otherwise contact your dealer and do not proceed with the installation.

The minimum distance between the supporting surface for the cooking equipment on the hob and the lowest part of the range hood must be not less than 50cm from electric cookers and 65cm from gas or mixed cookers.

If the instructions for installation for the gas hob specify a greater distance, this must be adhered to.

ELECTRICAL CONNECTION

The mains power supply must correspond to the rating indicated on the plate situated inside the hood. If provided with a plug connect the hood to a socket in compliance with current regulations and positioned in an accessible area, after installation. If it not fitted with a plug (direct mains connection) or if the plug is not located in an accessible area, after installation, apply a double pole switch in accordance with standards which assures the complete disconnection of the mains under conditions relating to over-current category III, in accordance with installation instructions.

Warning! Before re-connecting the hood circuit to the mains supply and checking the efficient function, always check that the mains cable is correctly assembled.

Replacing the power cable

The hood is provided with a special power cable ; if the cable is damaged, request a new one from Technical Service.

AIR VENT

(for the suction versions)

Connect the hood and discharge holes on the walls with a diameter equivalent to the air outlet (connection flange).

Using the tubes and discharge holes on walls with smaller dimensions will cause a diminution of the suction performance and a drastic increase in noise.

Any responsibility in the matter is therefore declined.

- ! Use a duct of the minimum indispensable length.
- ! Use a duct with as few elbows as possible (maximum elbow angle: 90°).
- ! Avoid drastic changes in the duct cross-section.
- ! The company declines any responsibility whenever these regulations are not respected.

FILTERING OR DUCTING ?

- ! Your cooker hood is ready to be used in suction version.
To use the hood in filtering version the special ACCESSORY KIT must be installed.
Check on the first pages of this manual if the ACCESSORY KIT is furnished or must be bought separately.
Note: If furnished, in certain cases, the additional activated carbon filtering system may be installed on the hood.
Information about the conversion of the hood from suction version to filtering version is present in this manual.



Ducting version

In this case the fumes are conveyed outside of the building by means of a special pipe connected with the connection ring located on top of the hood.

Attention! The exhausting pipe is not supplied and must be purchased apart. Diameter of the exhausting pipe must be equal to that of the connection ring. Attention! If the hood is supplied with active charcoal filter, then it must be removed.



Filter version

The aspirated air will be degreased and deodorised before being fed back into the room.

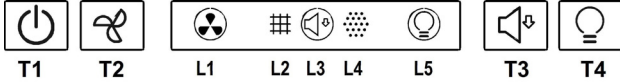
In order to use the hood in this version, you have to install a system of additional filtering based on activated charcoal.

CONTROLS

The hood is fitted with a control panel with aspiration speed selection control and a light switch to control cooking area lights.

Models with Soft Button panel + LCD Display

PHBS6.7FLLIX



T1. Button ON/OFF suction motor

T2. Selection button for medium, high and intensive operating suction speed (power).

Note: Intensive suction speed (power) intensiva (LED L1 flashing) lasts for approximately 5 minutes, then the medium suction speed (power) is automatically set.

T3. Selection button for 'silent' suction speed (power)

T4. Button ON/OFF lighting

L1. Status icon suction speeds (powers)

L2. Status icon saturation indicator for grease filter

L3. Status icon low (silent) suction speed (power)

L4. Status icon saturation indicator charcoal filter

L5. Status icon lighting

Reset filter saturation indicator

After performing maintenance of the filter, press and hold button T3, the icon indicating saturation will switch off. Repeat the operation if both icons indicating saturation (grease and charcoal) are on.

Activation of the icon for charcoal filter saturation

The icon for charcoal filter saturation is normally disabled. To activate it, proceed as follows:

With the hood off, press and hold for a long time and simultaneously T1 and T3: L4 flashes at first then it switches on with steady light to indicate successful activation.

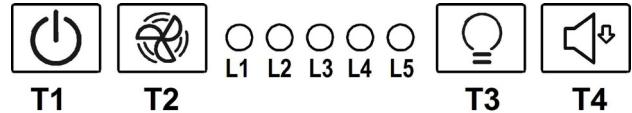
Disabling the icon for charcoal filter saturation: repeat the above operation, L4 switches on with steady light then flashes and in the end switches off to indicate successful disabling.

Automatic operation at high temperature

The hood is fitted with a sensor that detects the temperature. When this becomes too high, the sensor automatically activates the medium suction speed (power). The hood switches off when the temperature detected by the sensor has lowered significantly.

Models with Soft Button panel + Silent Speed

PHGC6.5FABX - PHGC7.5FABX - PHGC9.5FABX
PHFG9.5FABX - PHFG6.5FABX - PHFG7.5FABX
PHC6.7FLBIX - PHC7.7FLBIX



T1. Button ON/OFF suction motor

T2. Selection button operating suction speed (power)

Note: The intensive suction speed (power) (LED L3 flashing) lasts for approximately 5 minutes, then the medium suction speed (power) is automatically set (LED L2 on)

T3. Button ON/OFF lighting

T4. Selection button 'silent' suction speed (power)

L1. LED medium suction speed (power)

L2. LED high suction speed (power)

L3. LED intensive suction speed (power) - timed (5 min.).

L4. LED filter saturation:

flashing: carry out maintenance of the charcoal filter;

on: carry out maintenance of grease filters.

L5. LED low (silent) suction speed (power)

L1+L2+L3 flashing in sequence: automatic operation at high temperature (see related section)

Reset filter saturation

After carrying out filter maintenance, press and hold button T1, LED L4 switches off.

Activation of the LED for charcoal filter saturation

The LED for charcoal filter saturation is normally disabled. To activate it, proceed as follows:

With the hood off, press and hold for a long time and simultaneously T1 and T4: L1 flashes first then L2 as well, to indicate successful activation.

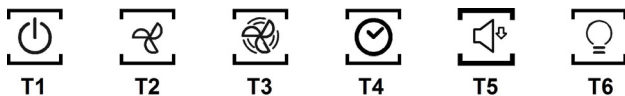
Disabling the LED for charcoal filter saturation: repeat the above operation, L1 and L2 start flashing first, then only L1, to indicate successful disabling.

Automatic operation at high temperature

The hood is fitted with a sensor that detects the temperature. When this becomes too high, the sensor automatically activates the medium suction speed (power). The hood switches off when the temperature detected by the sensor has lowered significantly.

Model with SOFT-TOUCH control panel

PHBS 6.8F LTI X - PHBS 9.8F LTI X
PHC6.7FLTIX - PHC9.7FLTIX



To select hood functions, simply touch the controls:

T1. Button ON/OFF suction motor

T2. Button to select medium suction speed (power)

T3. Button to select high and intensive suction speed (power)

Press once to select high suction speed (power) (LED L3 on);

Press again to select intensive suction speed (power) (LED L3 flashing).

Note: The intensive suction (power) speed lasts for approximately 5 minutes, then the high suction speed (power) is set automatically.

T4. Automatic shutdown button (Timer) and saturation indicator for charcoal filter:

Automatic shutdown:

Press this button to set the automatic shutdown of the active suction speed (power):

Silent suction speed (power): **10 minutes**

Medium suction speed (power): **20 minutes**

High suction speed (power): **15 minutes**

Saturation indicator charcoal filter

When flashing, perform maintenance of the **charcoal filter**, if installed, then keep the button **T6** pressed for a long time to stop the flashing.

T5. Button to select 'silent' suction speed (power) and saturation indicator for grease filter

Note: when flashing, perform maintenance of the **grease filter**; then keep the button **T6** pressed for a long time to stop the flashing.

T6. Button ON/OFF lighting

T3+T4+T5 flashing: automatic operation under high temperature conditions (see relevant paragraph)

Activation of the charcoal filter saturation indicator

This indicator is normally deactivated. To activate it, proceed as follows:

With the hood off, press and keep pressed simultaneously **T4** and **T5**: **T5** starts flashing first, then **T4** as well, to indicate successful activation.

Deactivation of charcoal filter saturation LED: repeat the operation described above; **T5** and **T4** start flashing, then only **T5** to indicate successful deactivation.

Automatic operation under high temperature conditions

The hood is equipped with a sensor which detects the temperature. When this becomes too high, the sensor automatically turns on the medium suction speed (power). The hood turns off as soon as the temperature detected by the sensor is lowered significantly.

MAINTENANCE

Cleaning

Clean using **ONLY** the cloth dampened with neutral liquid detergent. **DO NOT CLEAN WITH TOOLS OR INSTRUMENTS.** Do not use abrasive products. **DO NOT USE ALCOHOL!**

Perimeter aspiration panel

Clean the perimeter aspiration panel with the same frequency as the ant-fats filter, using a cloth and not too concentrated liquid detergent. Do not use abrasive substances.

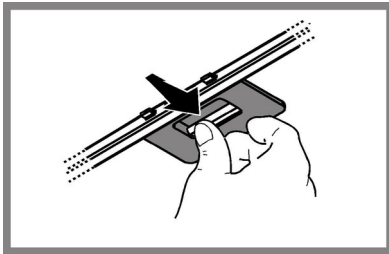
Maintenance of the anti-grease filters

Traps cooking grease particles.

This must be cleaned once a month (or when the filter saturation indication system – if envisaged on the model in possession – indicates this necessity) using non aggressive detergents, either by hand or in the dishwasher, which must be set to a low temperature and a short cycle.

When washed in a dishwasher, the grease filter may discolour slightly, but this does not affect its filtering capacity.

To remove the grease filter, pull the spring release handle.



Maintenance of the charcoal filter

It absorbs unpleasant odours caused by cooking.

The saturation of the charcoal filter occurs after more or less prolonged use, depending on the type of cooking and the regularity of cleaning of the grease filter.

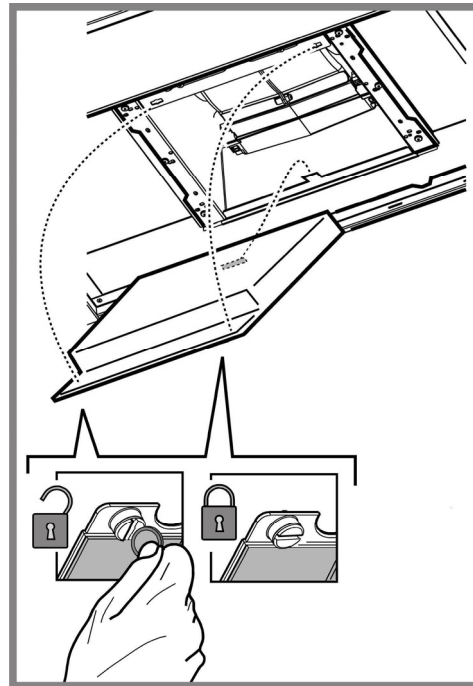
In any case it is necessary to replace the cartridge at least every four months (or when the filter saturation indication system – if envisaged on the model in possession – indicates this necessity). The charcoal filter may NOT be washed or regenerated.

Assembly

Hook the charcoal filter at the back on the metal tongue of the hood first, then on the front with the two knobs.

Disassembly

Remove the charcoal filter by turning the knobs fixing it to the hood by 90°.



Replacing lamps

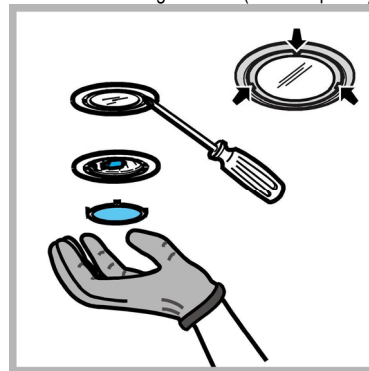
PHBS6.7LLIX - PHGC6.5FABX - PHGC7.5FABX
PHGC9.5FABX - PHFG9.5FABX - PHFG6.5FABX
PHFG7.5FABX

Disconnect the appliance from the electricity.

Warning! Prior to touching the light bulbs ensure they are cooled down.

Replace the old light bulb with the one of the same type as specified in the feature label or near the light lamp on the hood.

1. Using a flat head screwdriver or equivalent tool, carefully pry loose the light cover.
2. Remove the damaged light and replace with a new 12 Volt, 20 Watt (Maximum) halogen light made for a G-4 base SUITABLE FOR USE IN OPEN LUMINAIRES. Follow package directions and do not touch new light with bare hands.
3. Reinstall the light cover. (it will snap shut).



PHBS 6.8F LTI X - PHBS 9.8F LTI X
PHC6.7FLTIX - PHC9.7FLTIX
PHC6.7FLBIX - PHC7.7FLBIX


The hood is equipped with a lighting system based on LED technology. The LEDs guarantee an optimum lighting, a duration up to 10 times as long as the traditional lamps and allow to save 90% electrical energy.

For replacement, contact the technical service.

DISPOSAL

This appliance is marked according to the European directive 2012/19/EC on Waste Electrical and Electronic Equipment (WEEE). By ensuring this product is disposed of correctly, you will help prevent potential negative consequences for the environment and human health, which could otherwise be caused by inappropriate waste handling of this product.



The symbol  on the product, or on the documents accompanying the product, indicates that this appliance may not be treated as household waste. Instead it should be taken to the appropriate collection point for the recycling of electrical and electronic equipment. Disposal must be carried out in accordance with local environmental regulations for waste disposal.

For further detailed information regarding the process, collection and recycling of this product, please contact the appropriate department of your local authorities or the local department for household waste or the shop where you purchased this product.

Appliance designed, tested and manufactured according to:

- Safety: EN/IEC 60335-1; EN/IEC 60335-2-31, EN/IEC 62233.
- Performance: EN/IEC 61591; ISO 5167-1; ISO 5167-3; ISO 5168; EN/IEC 60704-1; EN/IEC 60704-2-13; EN/IEC 60704-3; ISO 3741; EN 50564; IEC 62301.
- EMC: EN 55014-1; CISPR 14-1; EN 55014-2; CISPR 14-2; EN/IEC 61000-3-2; EN/IEC 61000-3-3. Suggestions for a correct use in order to reduce the environmental impact: Switch ON the hood at minimum speed when you start cooking and kept it running for few minutes after cooking is finished. Increase the speed only in case of large amount of smoke and vapour and use boost speed(s) only in extreme situations. Replace the charcoal filter(s) when necessary to maintain a good odour reduction efficiency. Clean the grease filter(s) when necessary to maintain a good grease filter efficiency. Use the maximum diameter of the ducting system indicated in this manual to optimize efficiency and minimize noise.
















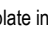
MALFUNCTIONS

If something appears not to be working properly, do the following simple checks before calling Technical Service:

- If the hood is not working:
Check that:
 - The power has not been disconnected.
 - A speed has been selected.
- If the hood performs inefficiently:
Check that:
 - The motor speed selected is sufficient for the amount of smoke and vapours released.
 - The kitchen is sufficiently ventilated to allow air intake.
 - The charcoal filter is not worn (hood in filtering version).
- If the hood has turned off during normal functioning:
Check that:
 - The power has not been disconnected.
 - the omnipolar disconnection device has not tripped.

If the hood fails to operate correctly, briefly disconnect it from the mains power supply for almost 5 sec. by pulling out the plug. Then plug it in again and try once more before contacting the Technical Assistance Service.

TECHNICAL DATA

Model	Height (cm)	Width (cm)	Depth (cm)	Ø of exhaust tube (cm)
PHBS6.7FLIX	 61,9 - 114  70,4 - 114	59,8	45	15-12,5-12
PHFG7.5FABX	 60 - 112,5  68,5 - 112,5	69,8	45	15-12,5-12
PHGC6.5FABX PHFG6.5FABX	 60 - 112,5  68,5 - 112,5	59,8	45	15-12,5-12
PHFG9.5FABX	 60 - 112,5  68,5 - 112,5	89,8	45	15-12,5-12
PHGC9.5FABX	 62,3 - 114,8  70,8 - 114,8	89,8	45	15-12,5-12
PHGC7.5FABX	 62,3 - 114,8  70,8 - 114,8	69,8	45	15-12,5-12
PHBS6.8FLTIX	 62,3 - 114,8  70,8 - 114,8	59,8	45,5	15-12,5-12
PHBS9.8FLTIX	 62,3 - 114,8  70,8 - 114,8	89,8	45,5	15-12,5-12

Please check the plate in order to verify the total absorption and the light absorption.

**PHBS6.7FLIX - PHGC6.5FABX - PHGC7.5FABX
PHGC9.5FABX - PHFG9.5FABX - PHFG6.5FABX
PHFG7.5FABX**

	Power (W)	Voltage (V)	Cap	Dimensions (mm)
Halogen	2 x 20W	12	G4	33xØ10

**PHBS 6.8F LTI X - PHBS 9.8F LTI X
PHC6.7FLTIX - PHC9.7FLTIX
PHC6.7FLBIX - PHC7.7FLBIX**

The hood is equipped with a lighting system based on LED technology. For replacement, contact the technical service.



Components not provided with the product

LIB0117759A