

Toddler Bed

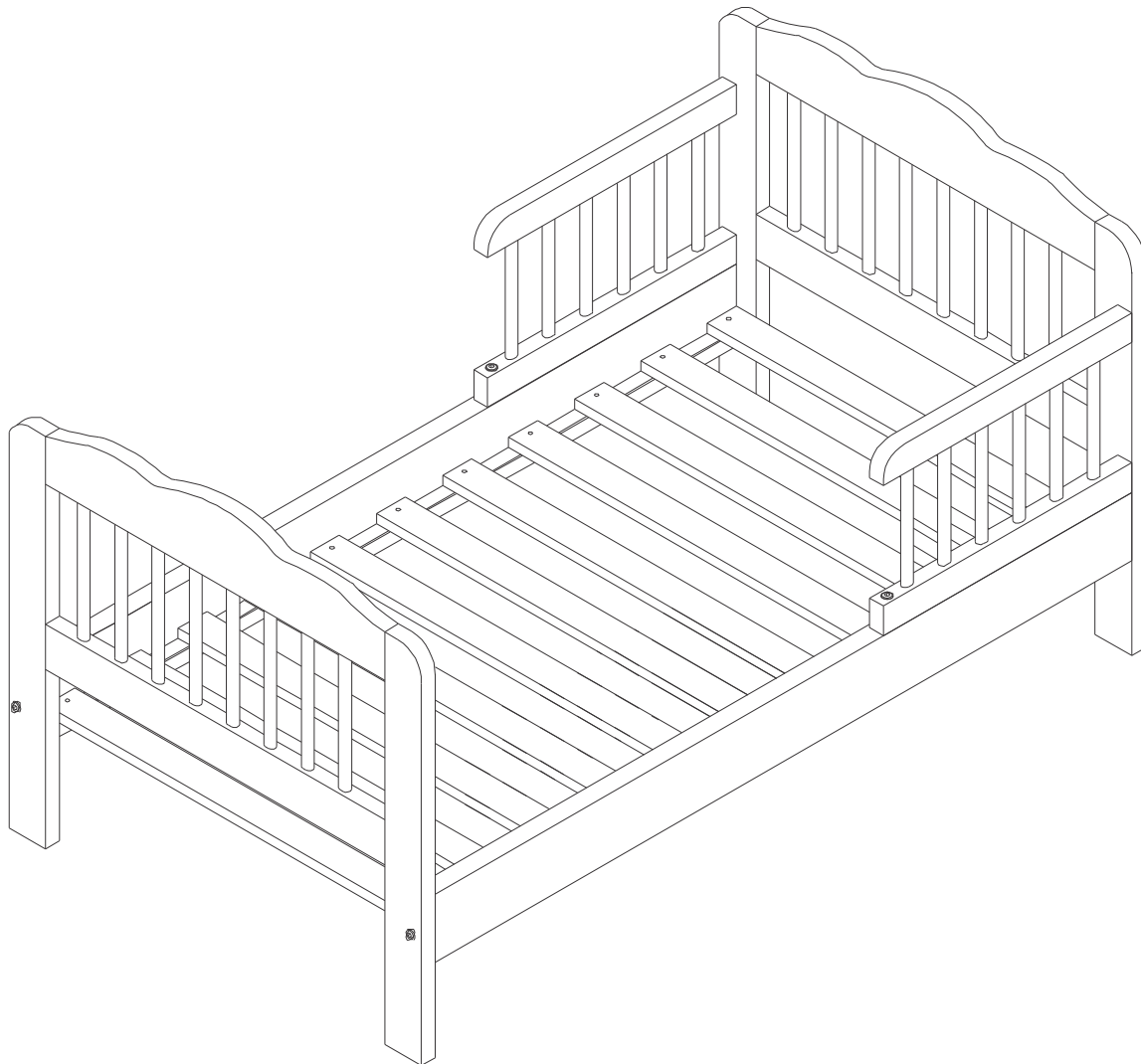
Assembly Instructions - Please keep for future reference

739/0146

739/0153

739/0160

739/0177



Dimensions

Width - 754cm

Depth - 1460cm

Height - 570cm

Important – Please read these instructions fully before starting assembly

If you need help or have damaged or missing parts, call the Customer Helpline: 08456 400 800

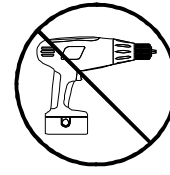


Safety and Care Advice

Important – Please read these instructions fully before starting assembly

- Check you have all the components and tools listed on pages 2 and 3.
- Remove all fittings from the plastic bags and separate them into their groups.
- Keep children and animals away from the work area, small parts could choke if swallowed.
- Make sure you have enough space to layout the parts before starting.
- Do not stand or put weight on the product, this could cause damage.
- Assemble the item as close to its final position (in the same room) as possible.

- Assemble on a soft level surface to avoid damaging the unit or your floor.
- This product has been produced from natural timber; you may notice some variation in the grain and colour of different component parts which is normal for furniture produced using natural wood and is not the result of any manufacturing fault.



- We do not recommend the use of power drill/drivers for inserting screws, as this could damage the unit. Only use hand screwdrivers.
- Parts of the assembly will be easier with 2 people.
- Dispose of all packaging carefully and responsibly.

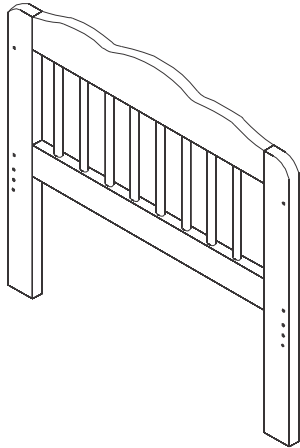
care and maintenance

- Use an appropriate furniture polish for natural wood furniture and a dry cloth to clean the product.
- Avoid placing the furniture in direct sunlight as this will cause the timber to prematurely age.
- From time to time check that there are no loose screws on this unit.
- This product should not be discarded with household waste. Take to your local authority waste disposal centre.

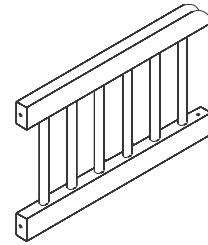
Note: if required the next page can be cut out and used as reference throughout the assembly. Keep this page with these instructions for future reference.

Components - Panels

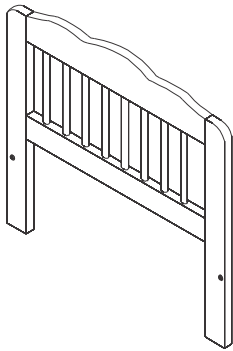
Please check you have all the panels listed below



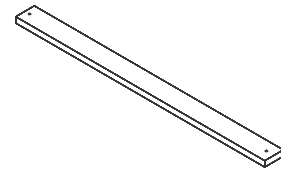
01 Headboard (75.4 x 57cm)



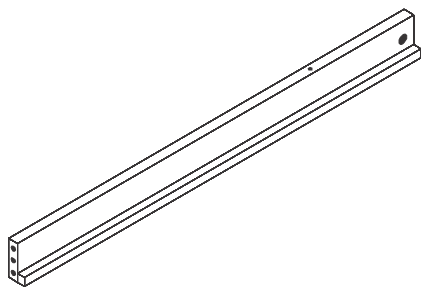
05 Guard rails x 2 (47.5 x 25.5cm)



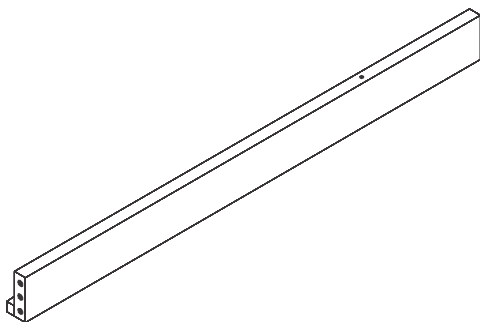
02 Footboard (75.4 x 52cm)



06 Slats x 12 (69 x 6.9cm)



03 Left side rail (140 x 9cm)



04 Right side rail (140 x 9cm)

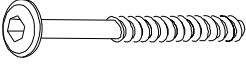

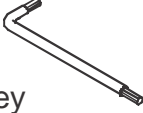
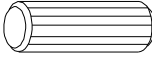
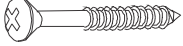
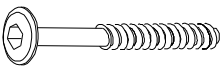
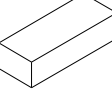


Components - Fittings

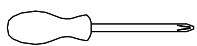
If you have damaged or missing components, call the Customer Helpline: 08456 400 800

Please check you have all the fittings listed below

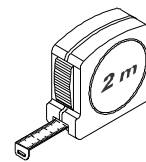
Note: The quantities below are the correct amount to complete the assembly. In some cases more fittings may be supplied than are required.

<p>A </p> <p>70mm Bolt x 04</p>	<p>B </p> <p>Half-Moon Nut x 04</p>	<p>C </p> <p>Allen key</p>
<p>D </p> <p>40mm Wooden dowel x 08</p>	<p>E </p> <p>25mm Screw x 24</p>	<p>F </p> <p>60mm Bolt x 06</p>
<p>G </p> <p>Spacer x 02</p>		

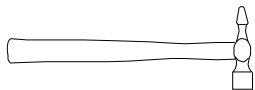
Tools required



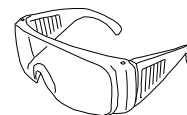
Phillips screwdriver
(medium & large)



Ruler/tape
measure



Small
hammer



Eye protection
(when using a
hammer or glue)

Ruler - Use this ruler to help correctly identify the screws

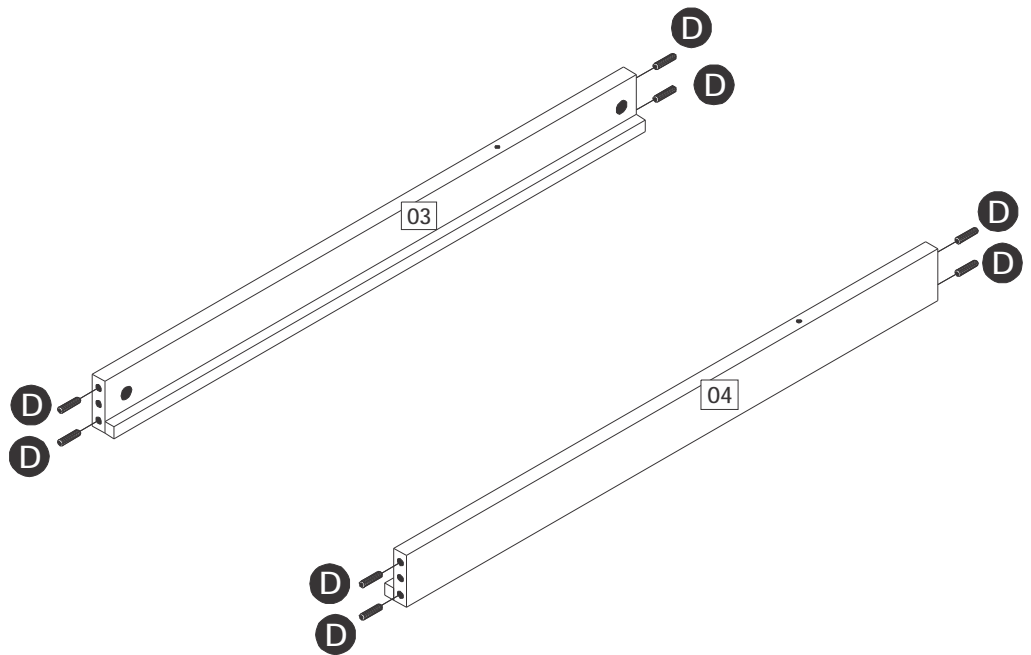


Assembly Instructions

Step 1

Fitting dowels

Insert dowels **D** into the indicated parts.



Step 2

Assembling side rails:

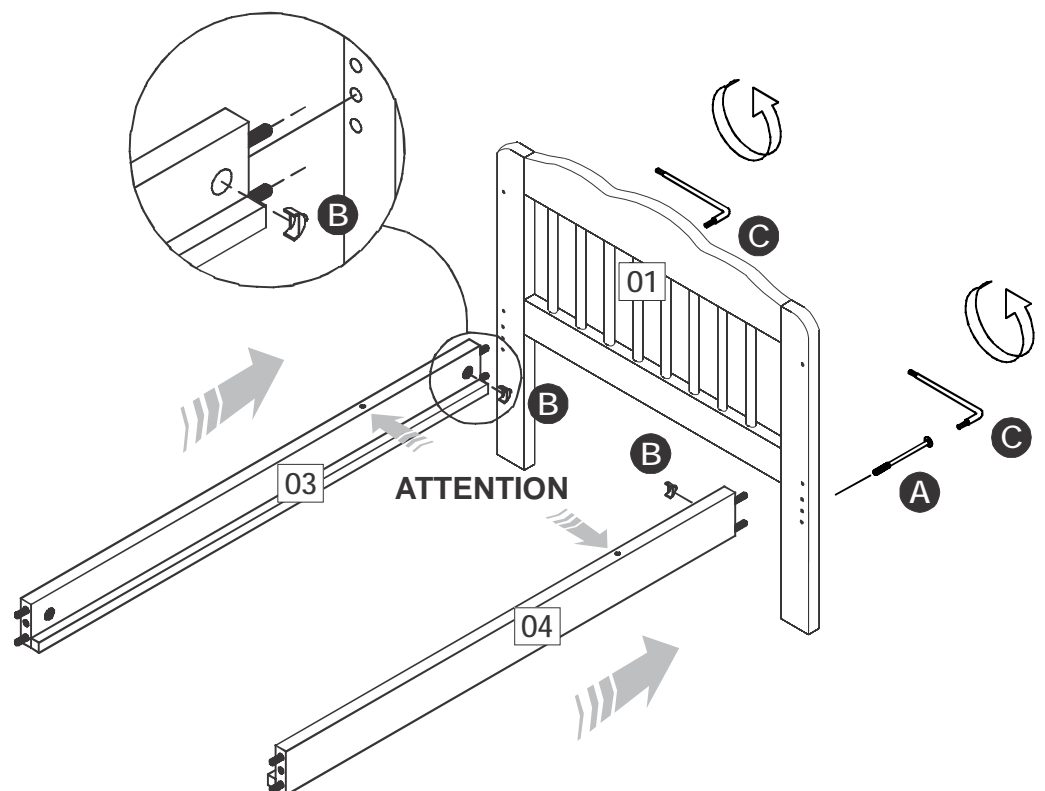
Insert half moon nut **B** into side rails **03** and **04** as shown.

Then fix them to the headboard **01** using bolts **A** and allen key **C**.



Caution:

Make sure rails are positioned as shown with holes near to headboard.



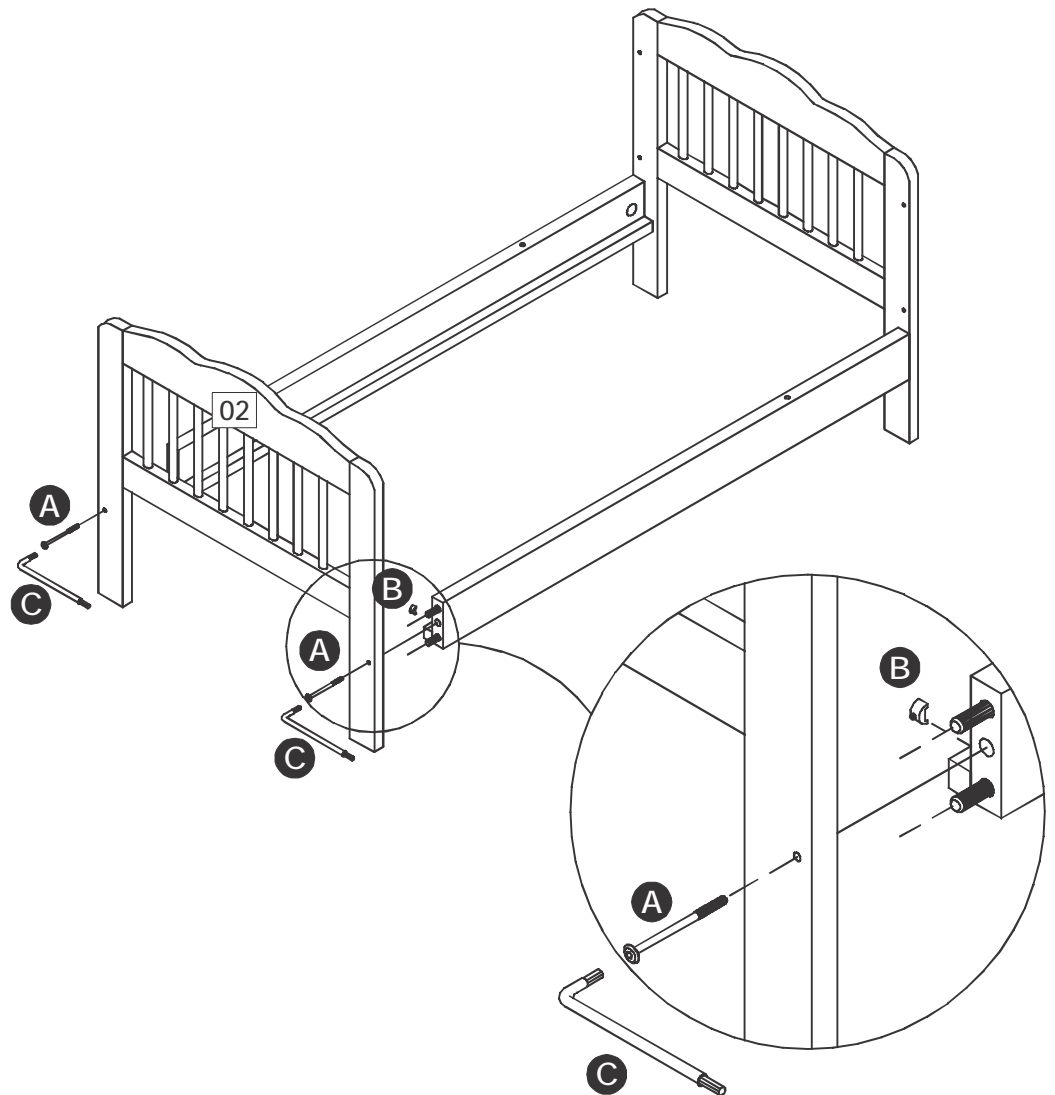
Assembly Instructions

Step 3

Assembling side rails:

Insert half moon nut **B** into side rails **03** and **04** as shown.

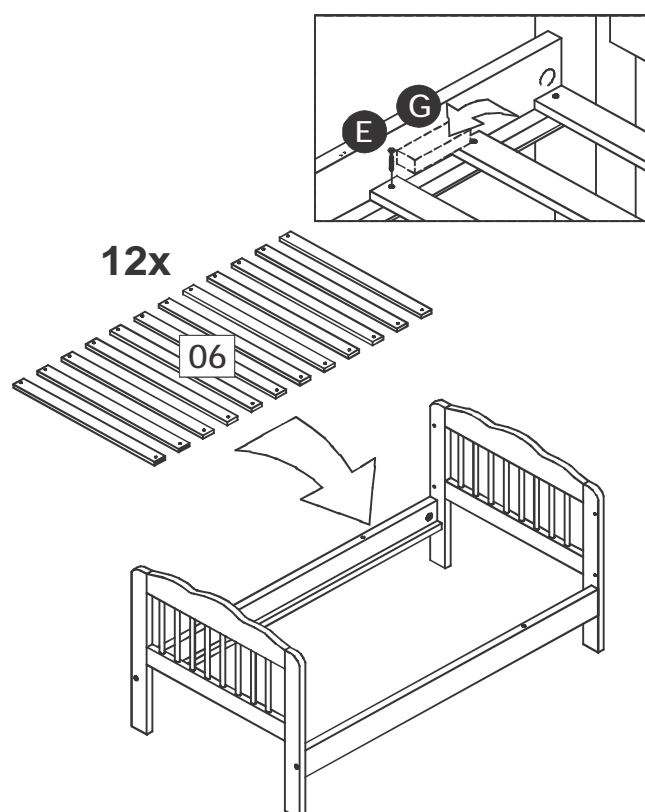
Then fix them to the footboard **02** using bolts **A** and allen key **C**.



Step 4

Fixing slats:

Fix the slats **06** adjacent to the headboard working towards the middle of the bed using the spacer **G** as shown to ensure correct spacing. Fix using screws **E**. Periodically check that all screws are tight.

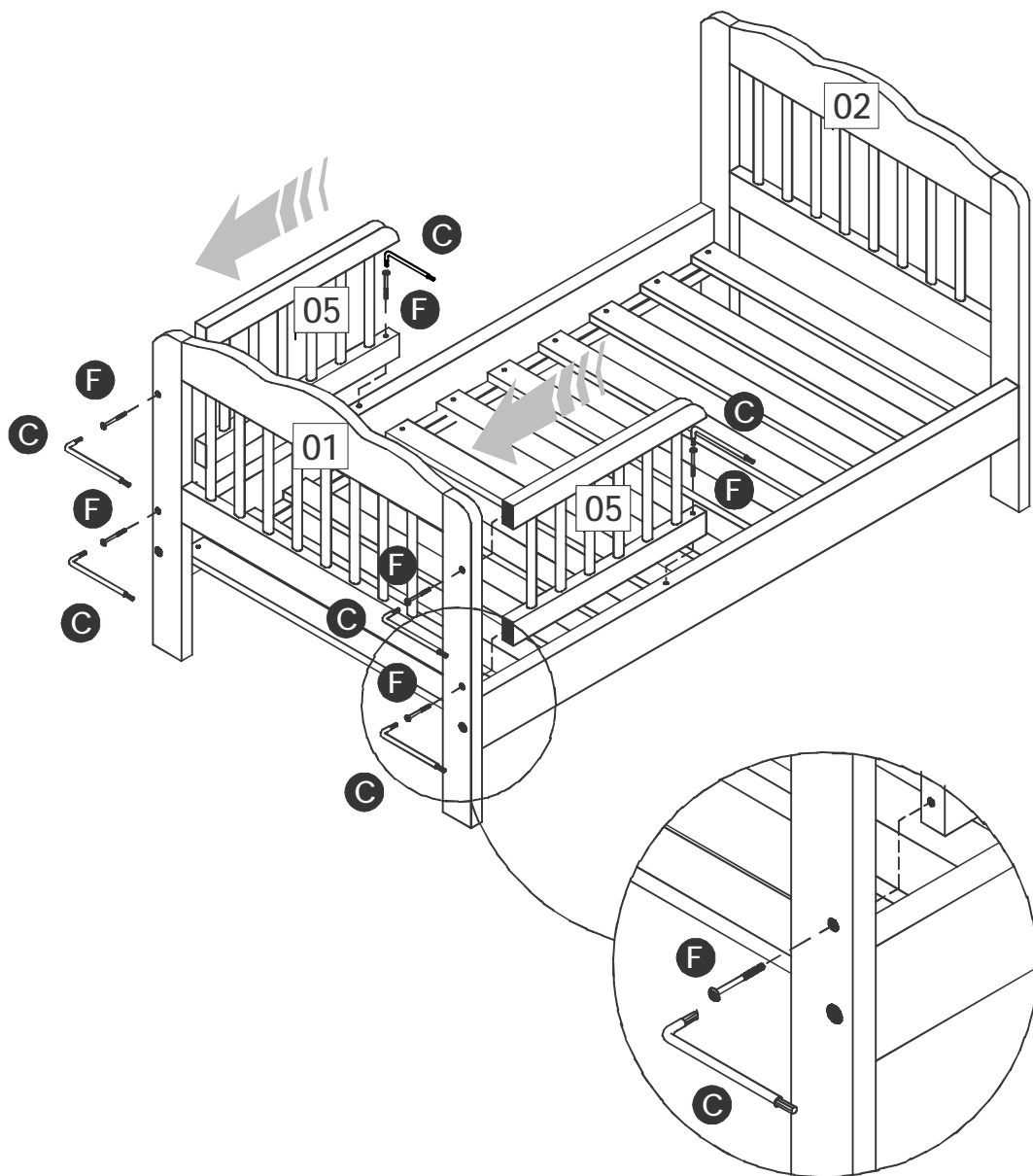


Assembly Instructions

Step 5

Attaching guard rails:

Fix guard rails **05** using bolts **F** and allen key **C**.
Make sure to fix bolts in headboard and rails as shown.



Assemble is complete!