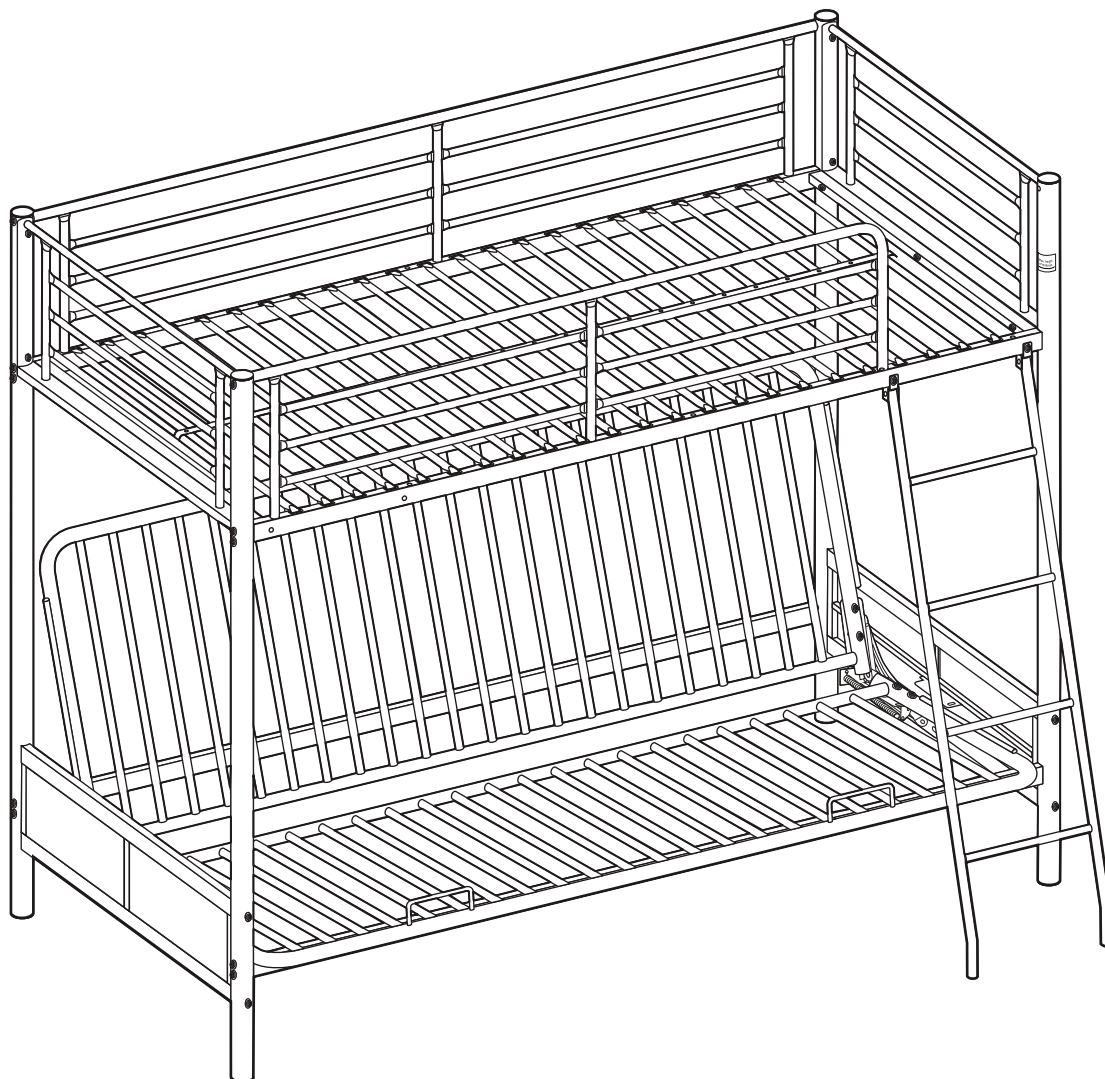


# FUTON BUNK BED

Assembly Instructions - Please keep for future reference

656/0032



## Open Dimensions

Width - 201cm  
Depth - 177.5cm  
Height - 165cm

## Close Dimensions

Width - 201cm  
Depth - 164cm  
Height - 165cm

**Important** - Please read these instruction fully before starting assembly

If you need help or have damaged or missing parts, call the **Customer Helpline: 08456 400800**

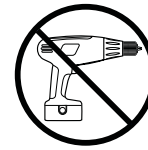


# Safety and Care Advice

## IMPORTANT – READ CAREFULLY – RETAIN FOR FUTURE REFERENCE

- Check you have all the components and tools listed on pages 2 and 3.
- Remove all fittings from the plastic bags and separate them into their groups.
- Keep children and animals away from the work area, small parts could choke if swallowed.
- Make sure you have enough space to layout the parts before starting.
- All assembly fastenings should always be tightened properly and that care should be taken that no fittings are loose.
- Recommended size of the mattress(es):  
W75 x L175 x D18cm.

- Do not stand on the product, this could cause damage.
- Assemble the item as close to its final position (in the same room) as possible.
- Assemble on a soft level surface to avoid damaging the unit or your floor.
- Parts of the assembly will be easier with 2 people.
- The bunk bed or high bed should not be used if any structural part is broken or missing.
- The high beds and the upper bed of bunk beds are not suitable for children under six years due to the risk of injury from falls.



- We do not recommend the use of power drill/drivers **for inserting screws**, as this could damage the unit. Only use hand screwdrivers.
- Dispose of all packaging carefully and responsibly.
- Children can strangle in items such as ropes, strings, cords, harnesses and belts attached to or hung on a bunk bed/ high bed.
- Warning: “Children can become trapped between the bed and the wall. To avoid risk of serious injury the distance between the top safety barrier and the wall shall not exceed 75 mm or shall be more than 230mm”.

## Care and maintenance

- Only clean using a damp cloth and mild detergent, do not use bleach or abrasive cleaners.
- From time to time check that there are no loose screws on this unit.
- This product should not be discarded with household waste. Take to your local authority waste disposal centre.

## Keep These Instructions For Future Reference

- This product complies with EN 747-1:2007
- Argos plc  
489-499 Avebury Boulevard  
Central Milton Keynes  
MK9 2NW

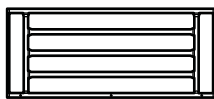
**Note:** if required the next page can be cut out and used as reference throughout the assembly. Keep this page with these instructions for future reference.

# Components - Panels

Please check you have all the panels listed below



**1** Metal leg x 4  
(Ø4.8 x 165cm)



**2** Headboard x 2  
(89.9 x 39.3cm)



**3** Lower footboard x 1  
(88.7 x 20cm)



**4** Lower footboard x 1  
(88.7 x 20cm)



**5** Filler bar x 2  
(90.1 x 3cm)



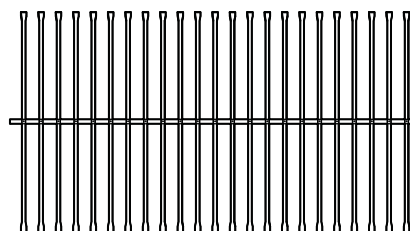
**6** Top cross bar x 1  
(190.7 x 4cm)



**7** Bottom cross bar x 2  
(190.7 x 4cm)



**8** Top cross bar x 1  
(190.7 x 4cm)



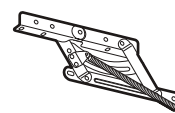
**9** Bed slats x 1  
(190 x 93.4cm)



**10** Back safety barrier x 1  
(190.4 x 37cm)



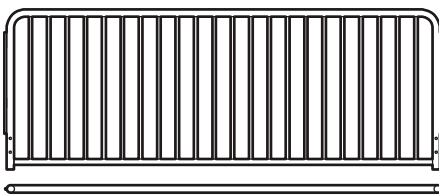
**11** Front safety barrier x 1  
(154 x 37cm)



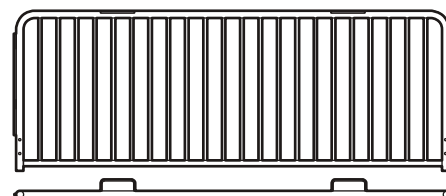
**12** Spring hinge X 1  
(46 x 16cm)



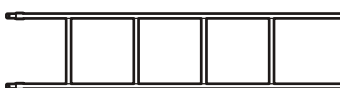
**13** Spring hinge X 1  
(46 x 16cm)



**14** Futon frame X 1  
(190 x 69.8cm)



**15** Futon frame X 1  
(190 x 69.8cm)



**16** Ladder X 1  
(144 x 34.7cm)
















# Components - Fittings

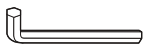
If you have damaged or missing components, call the **Customer Helpline: 08456 400800**

Please check you have all the fittings listed below

**Note:** The quantities below are the correct amount to complete the assembly. In some cases more fittings may be supplied than are required.

<b>A</b>  M6 x 20mm Bolt x 8	<b>B</b>  M6 x 65mm Bolt x 24	<b>C</b>  16mm Washer x 24
<b>D</b>  M6 x 55mm Bolt x 11	<b>E</b>  M8 x 65mm Bolt x 4	<b>F</b>  19mm Washer x 11
<b>G</b>  18mm Washer x 18	<b>H</b>  M8 x 20mm Bolt x 4	<b>I</b>  M8 x 50mm Bolt x 8
<b>J</b>  M8 Nuts x 8	<b>K</b>  M6 x 35mm Bolt x 2	<b>L</b>  M6 Nuts x 2
<b>M</b>  Plastic cover x 14		

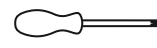
## Tools required



Allen key M4  
(included)



Spanner M6  
(included)



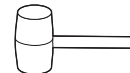
Screwdriver  
(not included)



Allen key M5  
(included)

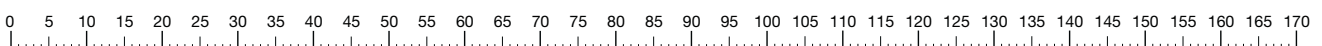


Spanner M8  
(included)



Rubber Mallet  
(not included)

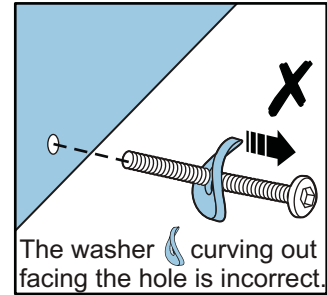
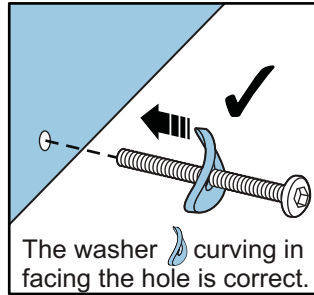
Ruler - Use this ruler to help correctly identify the screws



# Assembly Instructions

## Step 1

**Note:** Please ensure the **WASHER** is curving in facing the hole before assembling.

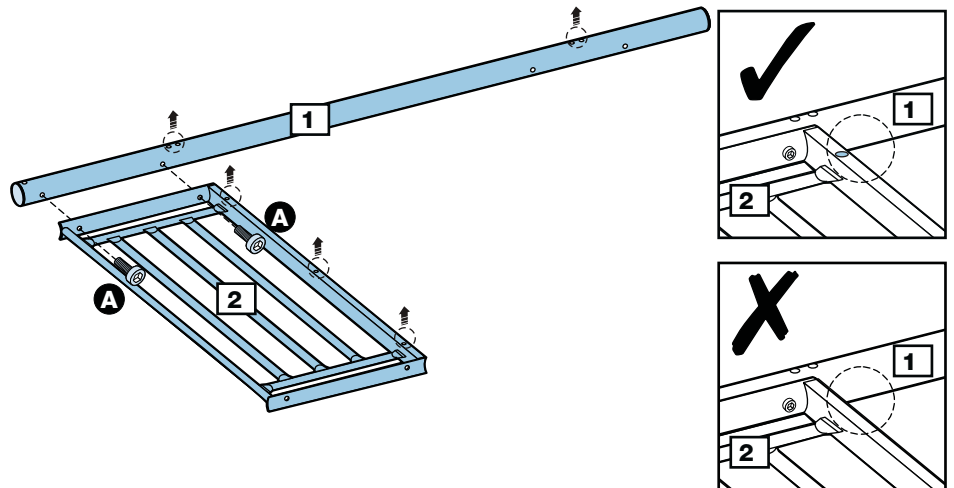


## Step 2

### Attaching headboard

Attach headboard **2** to metal leg **1** by using 2 pcs of bolts **A**.

Headboard **2** should be faced toward to other side.

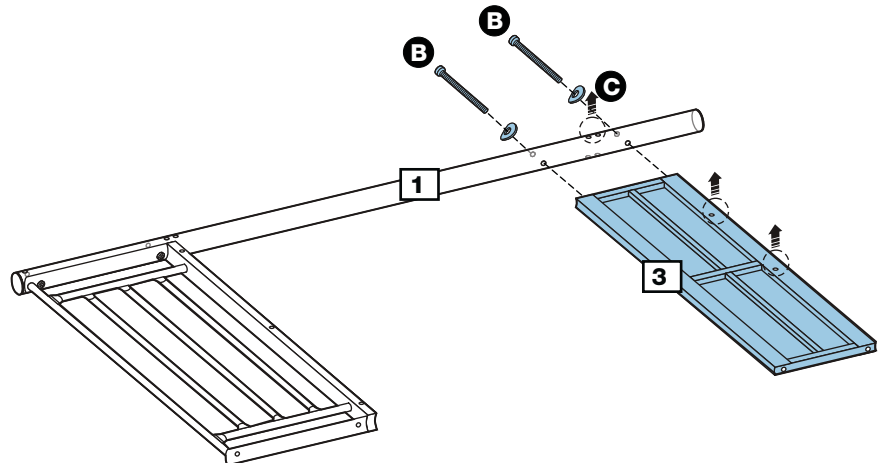


## Step 3

### Attaching lower headboard

Attach lower headboard **3** to metal leg **1** by using 2 pcs of bolts **B** and 2 pcs of washers **C**.

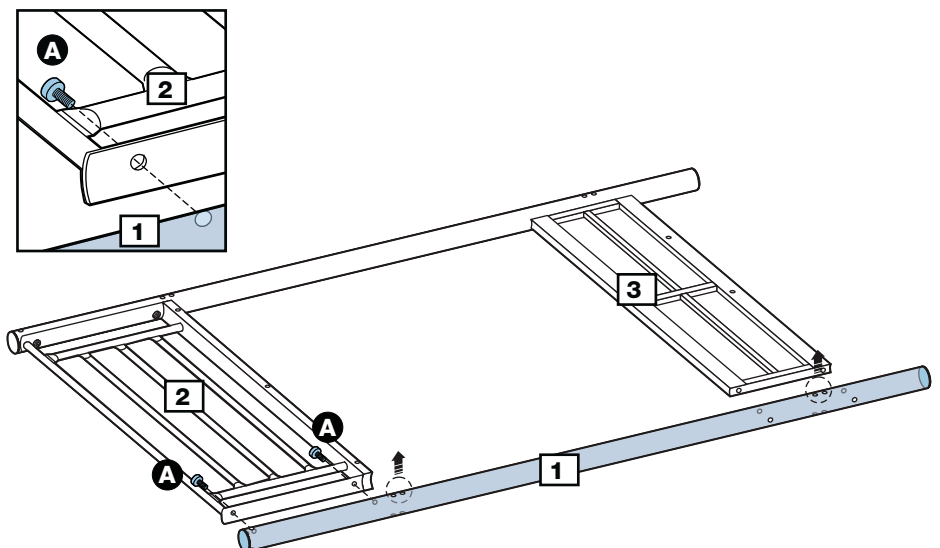
Headboard **3** should be faced toward to other side.



## Step 4

### Attaching metal leg

Attaching the other metal leg **1** to the headboard **2** by using 2 pcs of bolts **A**.

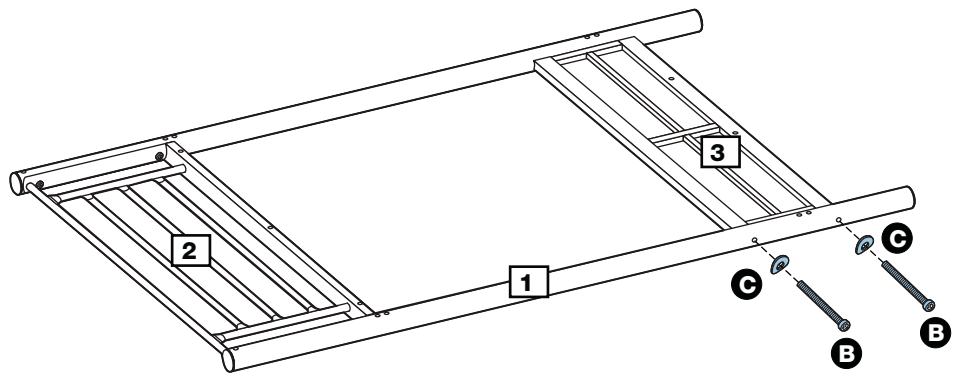


# Assembly Instructions

## Step 5

### Attaching metal leg

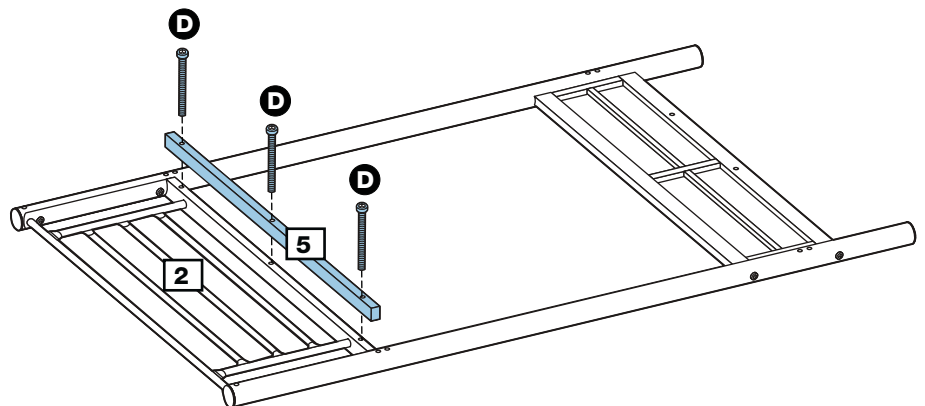
Attach metal leg **1** to the lower footboard **3** by using 2 pcs of screws **B** and 2 pcs washers **C**



## Step 6

### Attaching Filler bar

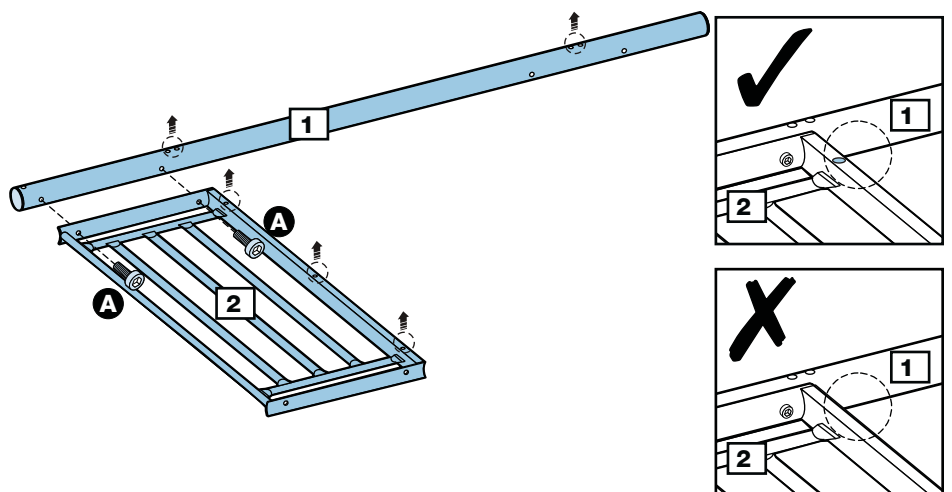
Attach filler bar **5** to headboard **2** by using 3 pcs of bolts **D**.



## Step 7

### Attaching headboard

Attach headboard **2** to metal leg **1** by using 2 pcs of bolts **A**.



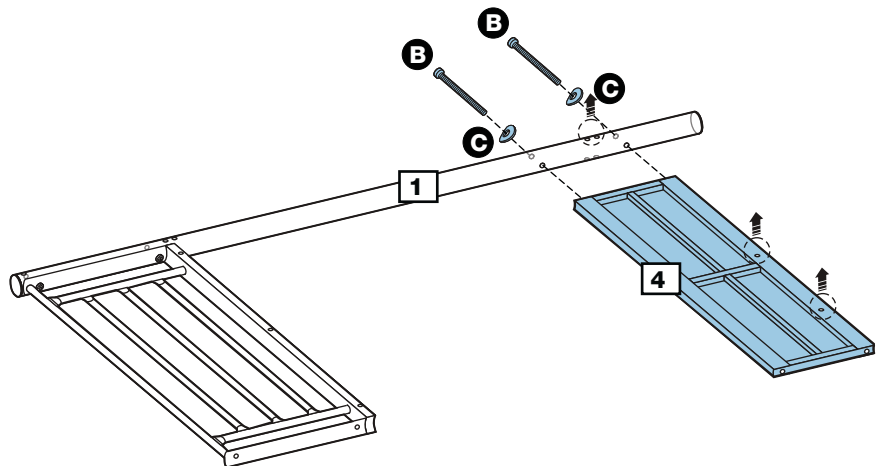
# Assembly Instructions

## Step 8

### Attaching lower footboard

Attach lower footboard **4** to metal leg **1** by using 2 pcs of bolts **B** and 2 pcs of washers **C**.

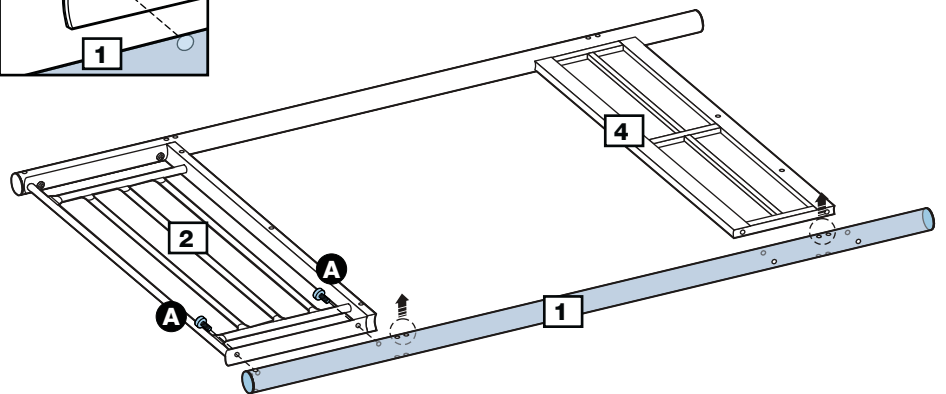
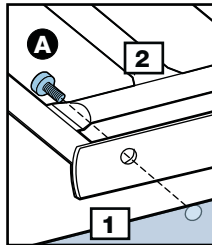
Footboard **4** should be faced toward to other side.



## Step 9

### Attaching metal leg

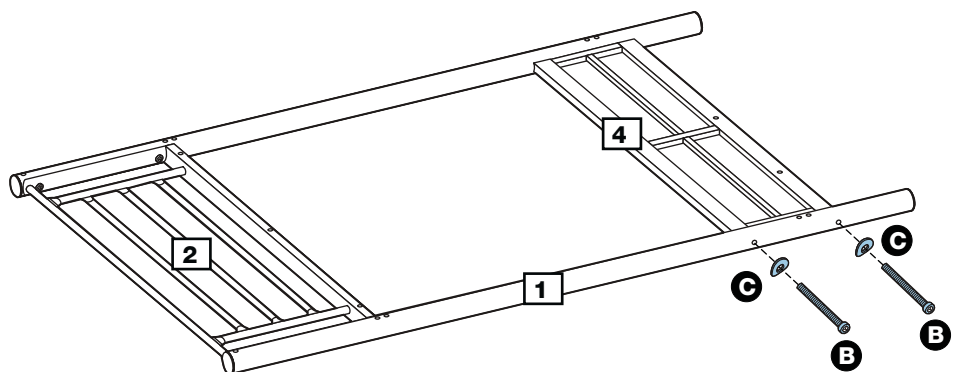
Attaching the other metal leg **1** to the headboard **2** by using 2 pcs of bolts **A**.



## Step 10

### Attaching lower footboard

Attach lower footboard **4** to metal leg **1** by using 2 pcs of bolts **B** and 2 pcs of washers **C**.

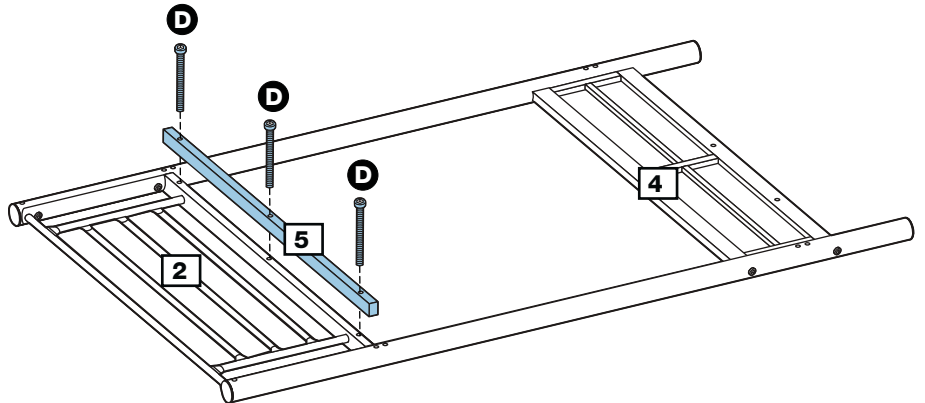


# Assembly Instructions

## Step 11

### Attaching filler bar

Attach filler bar **5** to headboard **2** by using 3 pcs of bolts **D**.



## Step 12

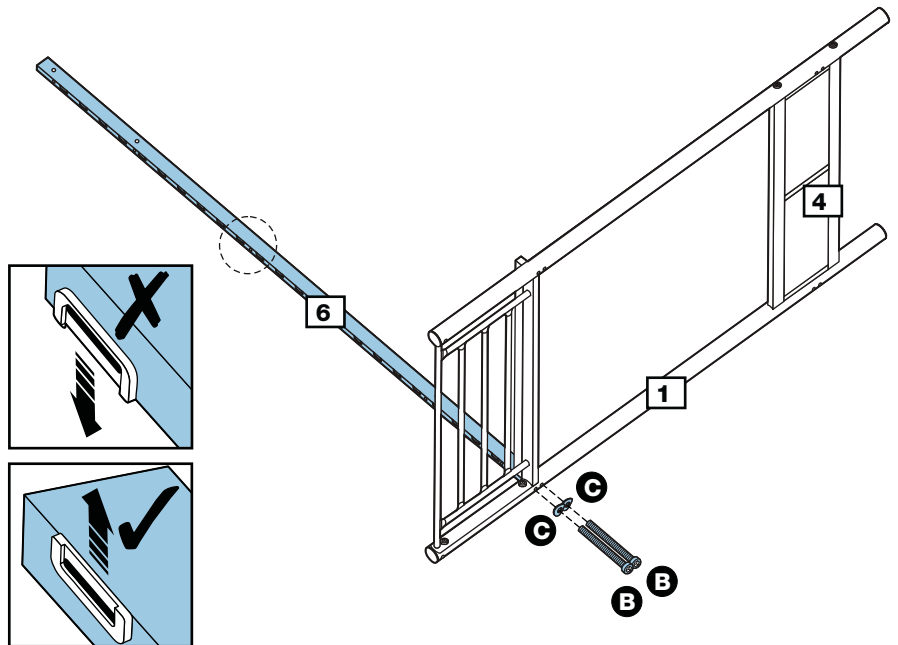
### Attaching top cross bar

Two people are required here.

Attach top cross bar **6** to the unit by using 2 pcs of bolts **B** and 2 pcs of washers **C**.



**Warning:**  
The unit is heavy.  
**Lift with care.**



## Step 13

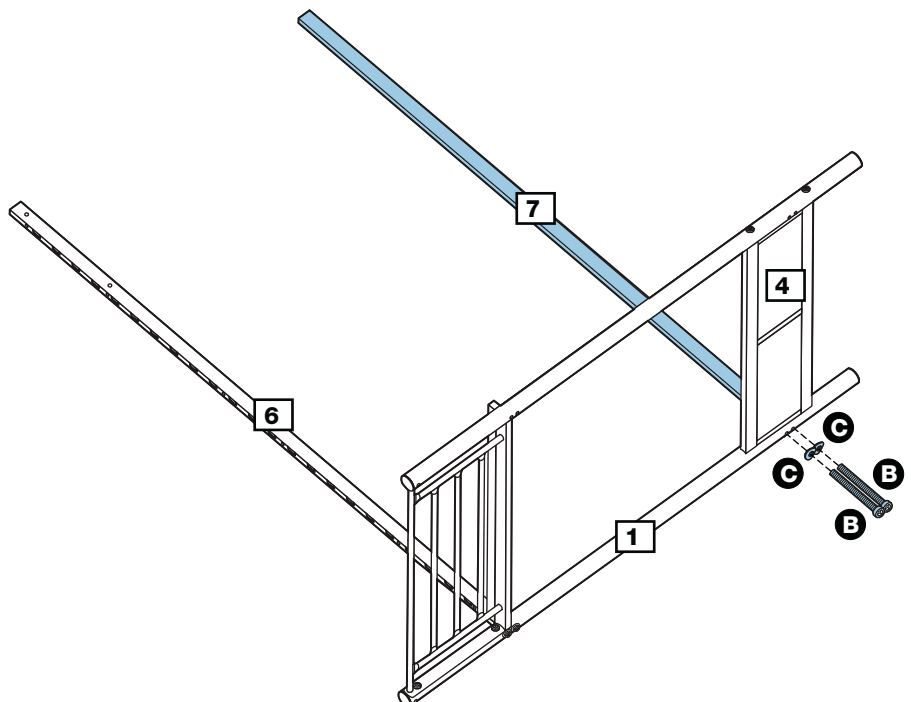
### Attaching bottom cross bar

Two people are required here.

Attach bottom cross bar **7** to the unit by using 2 pcs of bolts **B** and 2 pcs of washers **C**.



**Warning:**  
The unit is heavy.  
**Lift with care.**





# Assembly Instructions

## Step 14

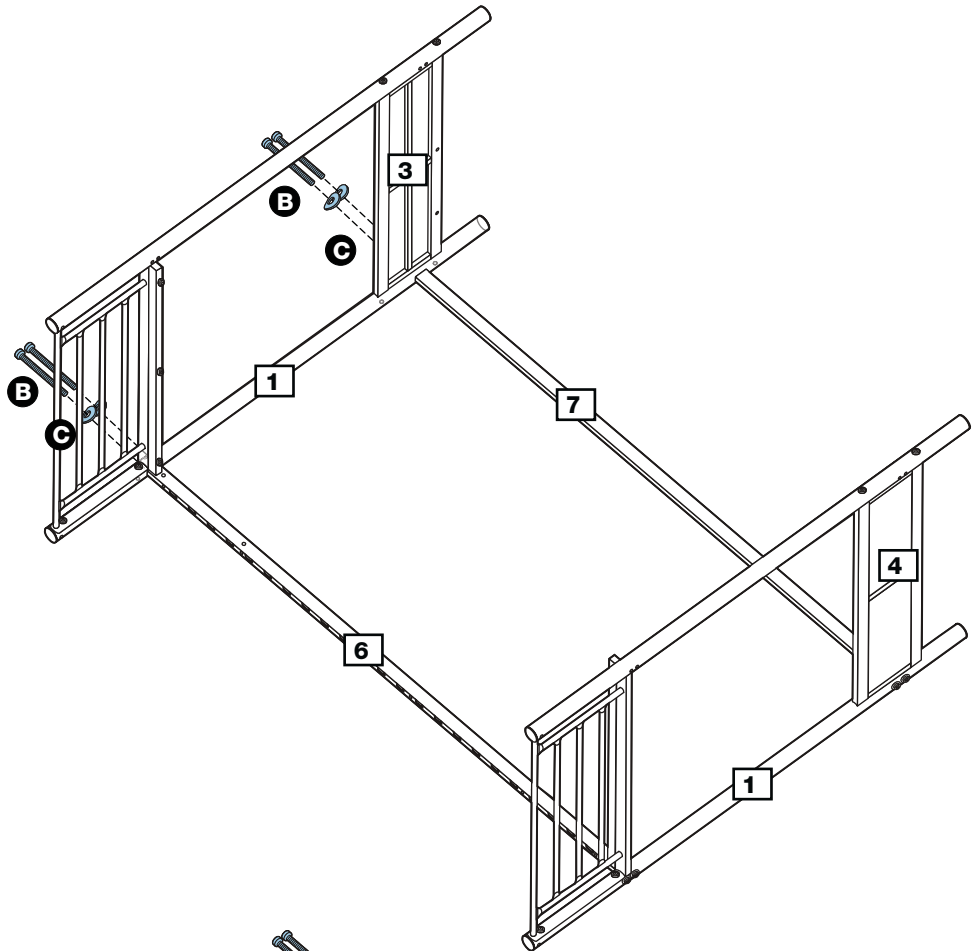
### Join both cross bars

Two people are required here.

Join both cross bars **6** and **7** to the completed units by using 4 pcs of bolts **B** and 4 pcs of washers **C**.



**Warning:**  
The unit is heavy.  
**Lift with care.**



## Step 15

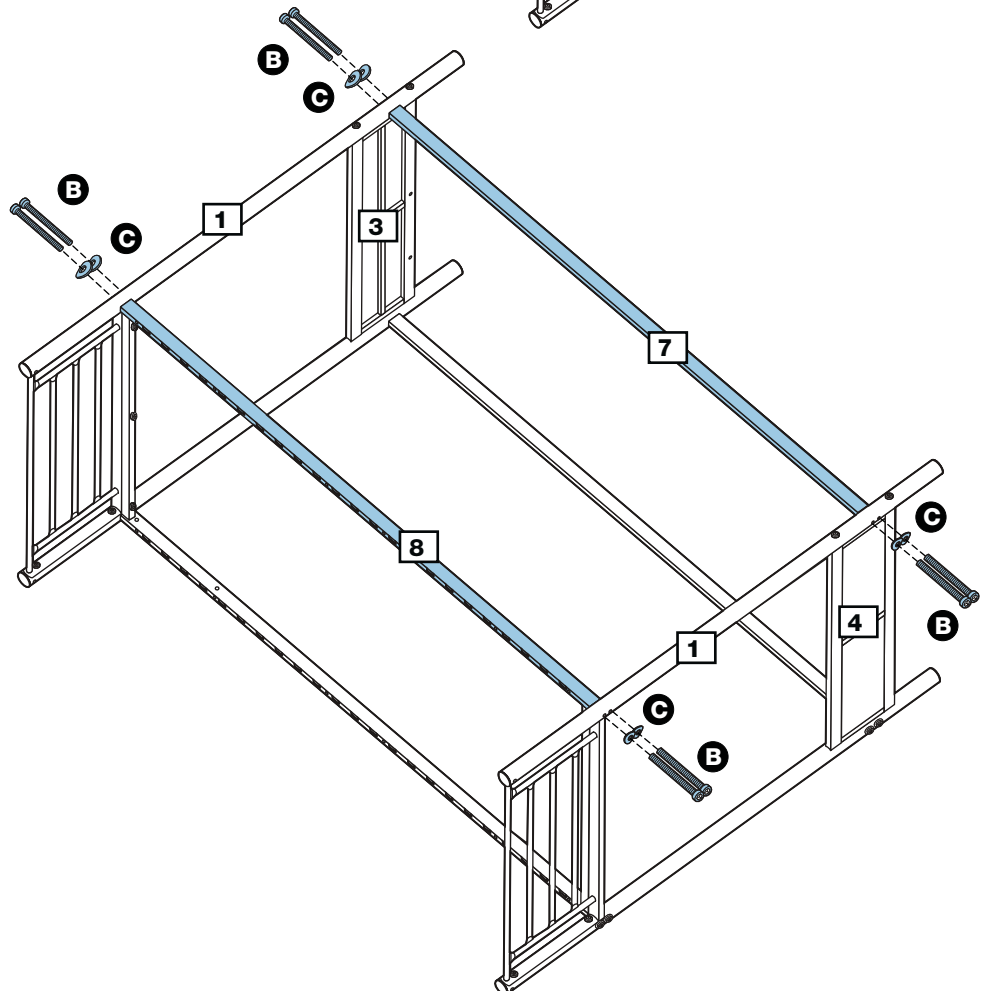
### Join another cross bars

Two people are required here.

Join another 2 pcs of cross bar **7** and **8** to the unit by using 4 pcs of bolts **B** and 4 pcs of washers **C**.



**Warning:**  
The unit is heavy.  
**Lift with care.**

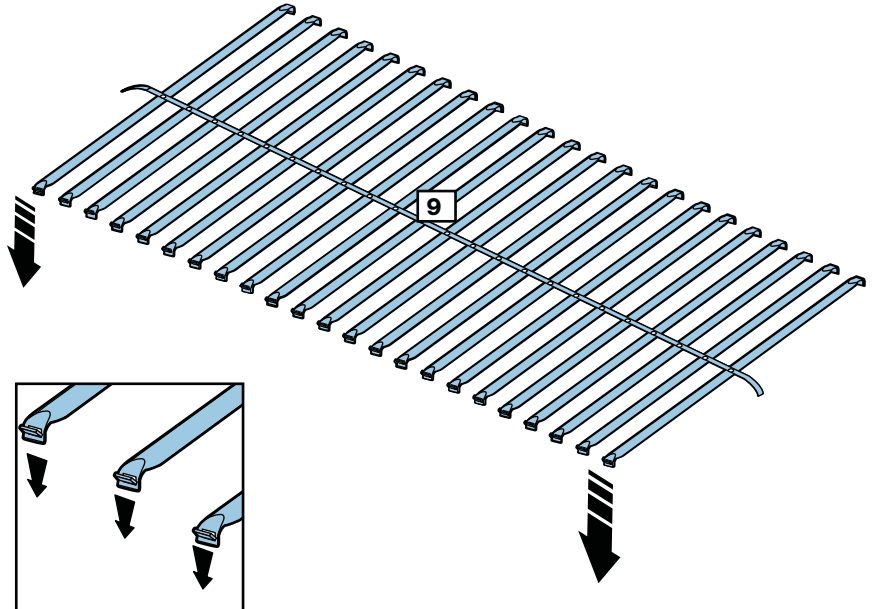


# Assembly Instructions

## Step 16

### Attaching bed slats

Spread out the bed slats **9**, make sure each hook of slat point downwards as shown.

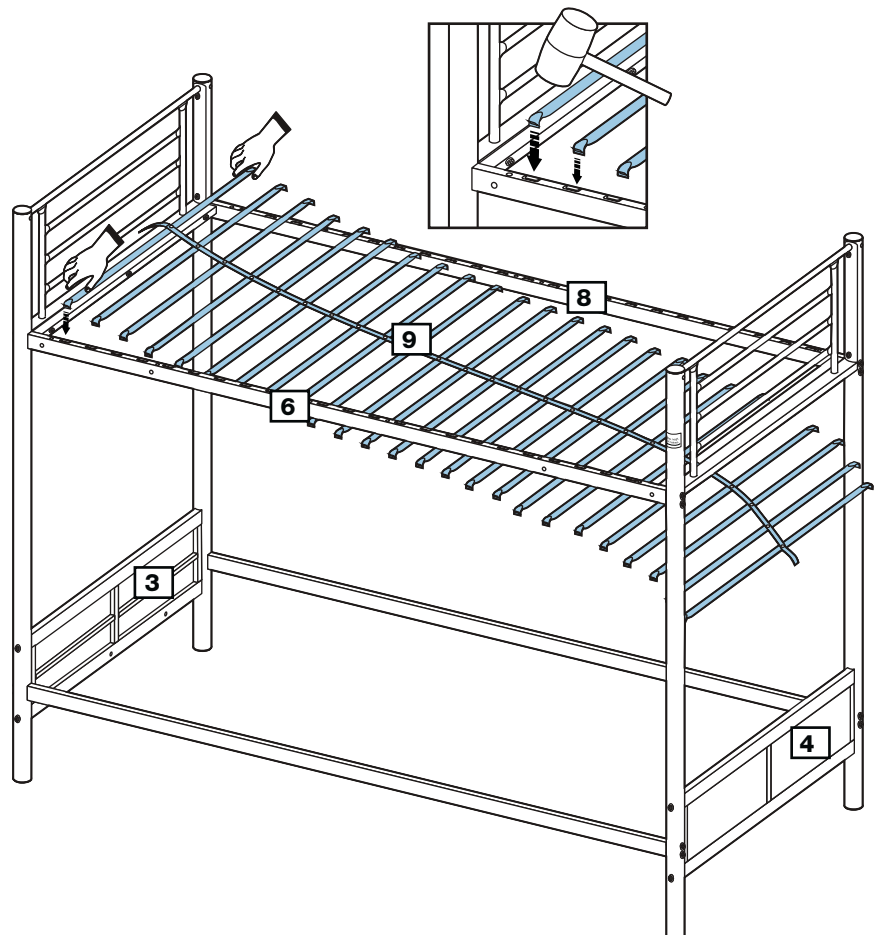


## Step 17

### Attaching bed slats

Two people are required here.

Use a rubber mallet(not supplied) gently tap each slat lock onto cross bars **8** and **6**. Recommend 2 persons for assembly.



# Assembly Instructions

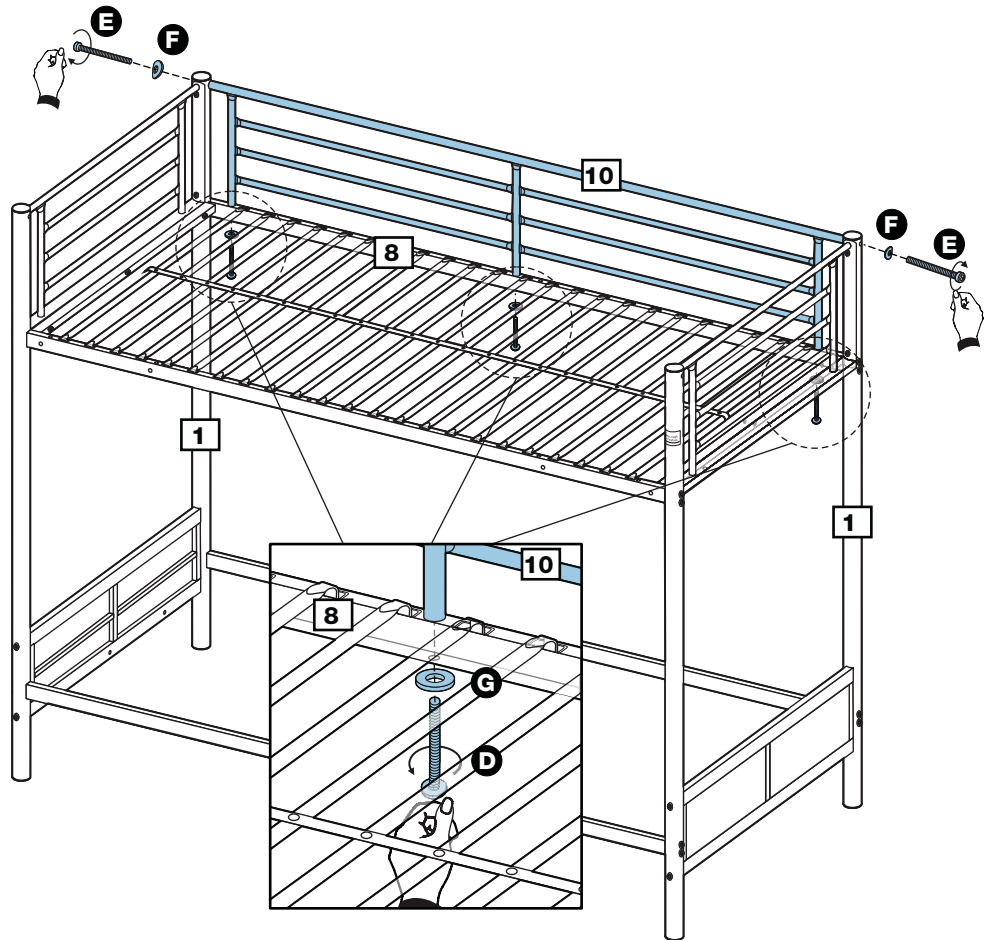
## Step 18

### Attaching safety barrier

Two people are required here.

Attach safety barrier **10** to this unit through 2 pcs of bolts **E** and 2 pcs of washers **F**.

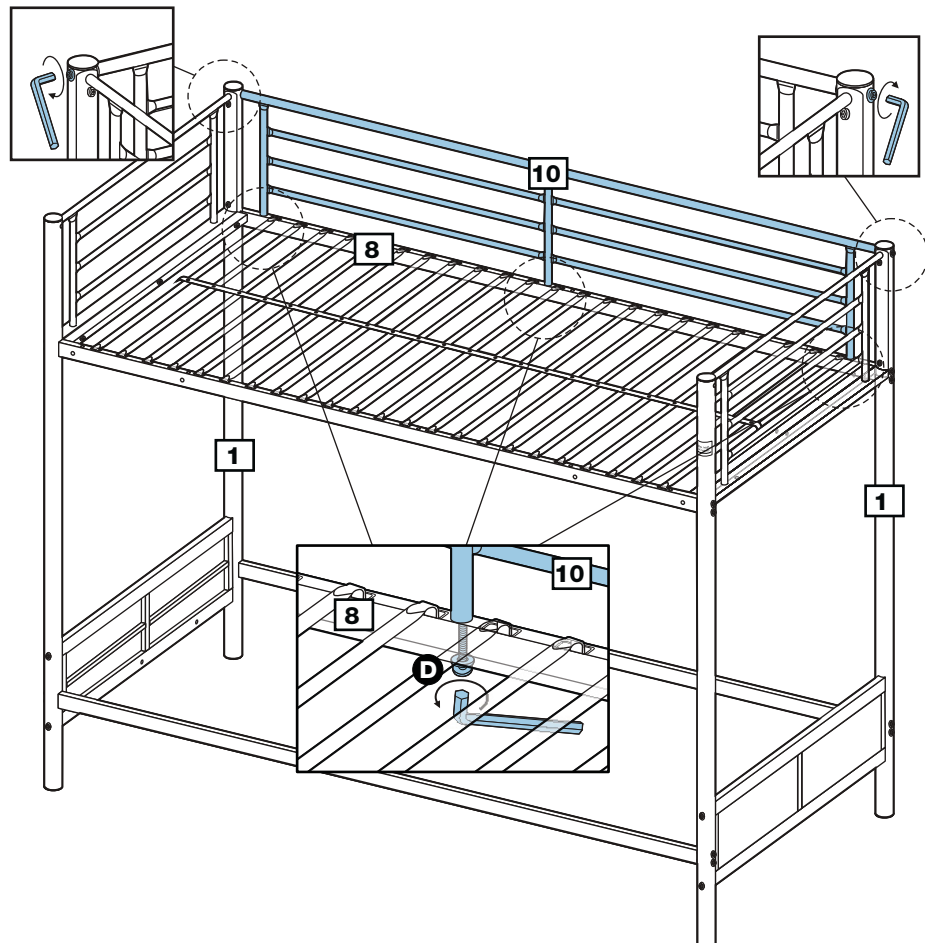
Fix 3 pcs of bolts **D** and washers **G** to this safety barrier **10** through top cross bar **8**.



## Step 19

### Fixing safety barrier

Fix safety barrier **10** to the unit through 3 pcs of bolts **D** with tool.



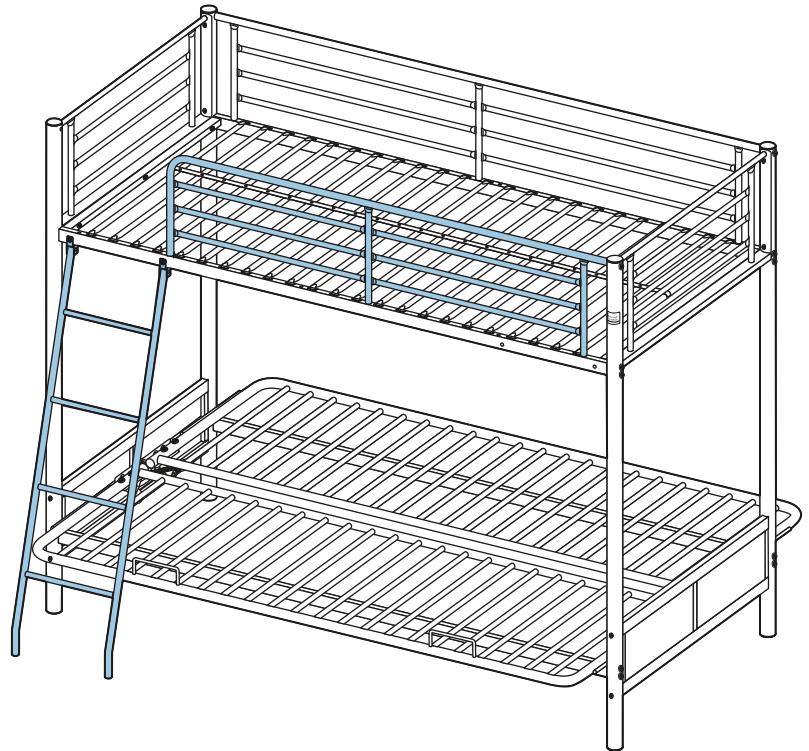
# Assembly Instructions

## Step 20

### Attaching ladders

Ladder can be fixed to either left or right side.

### **OPTION 1**



### **OPTION 2**



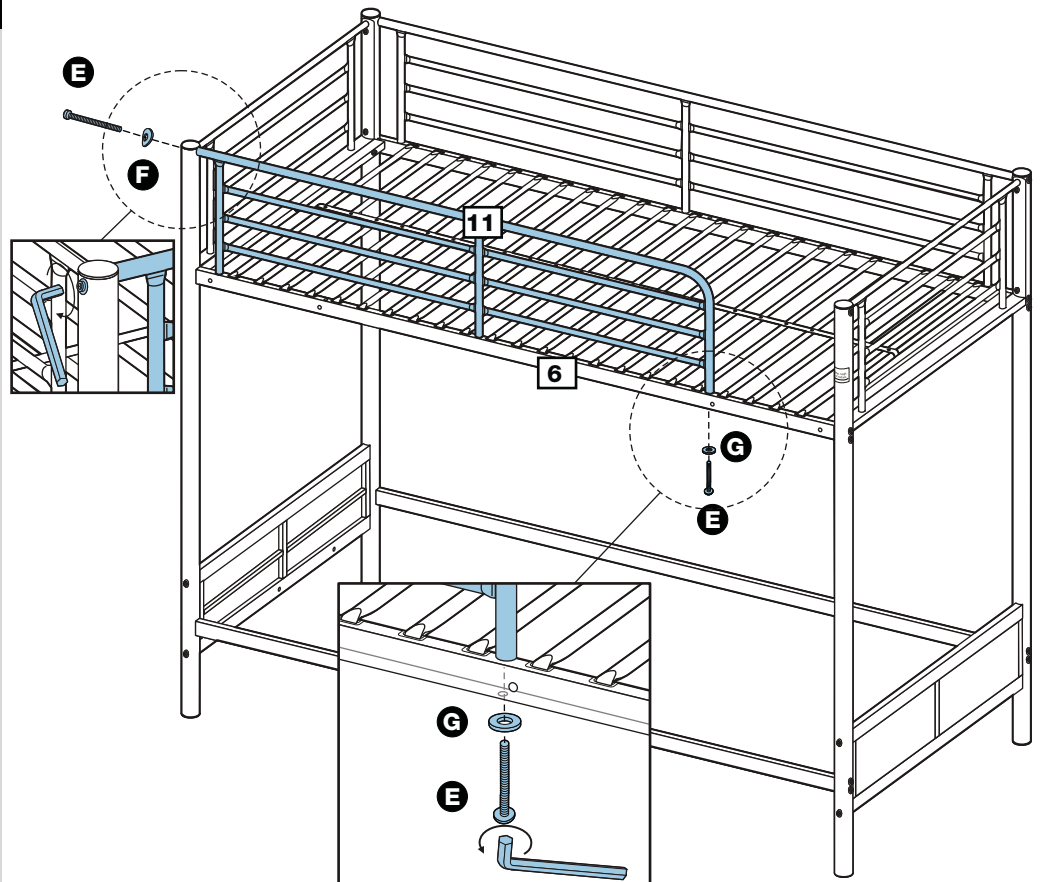
# Assembly Instructions

## Step 21

### Attaching front safety barrier

Two people are required here.

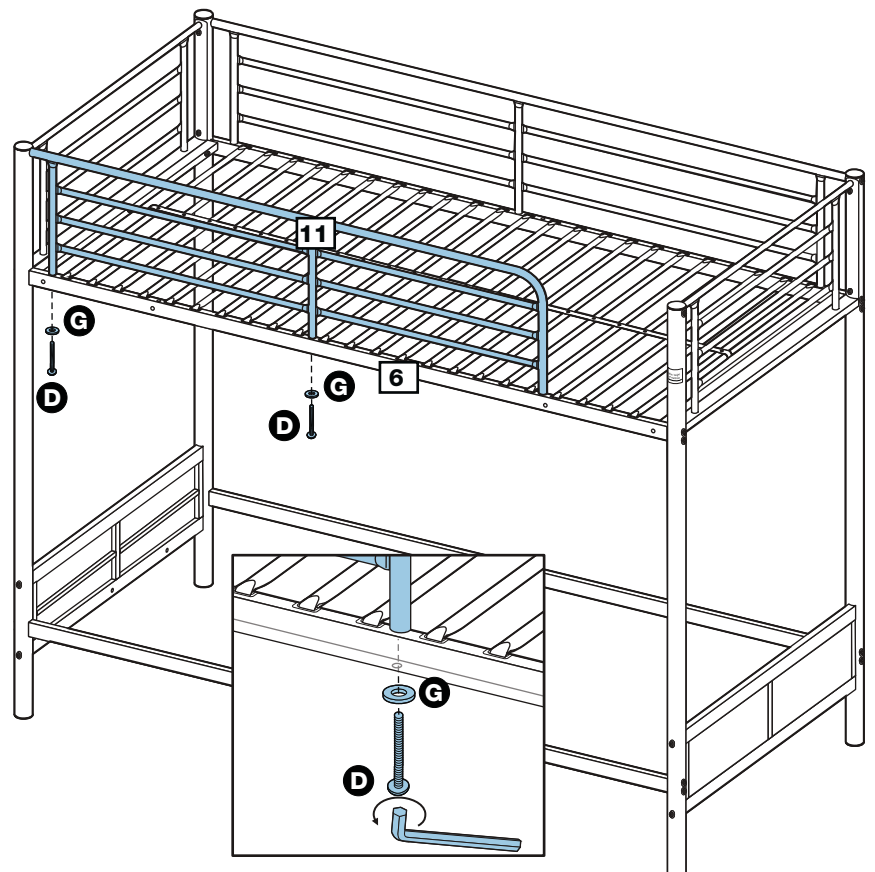
Attach front safety barrier **11** to top bunk by using one of bolt **E** and washer **F** from side and 1 pcs of bolt **E** and washer **G** from bottom with tool as shown.



## Step 22

### Attaching front safety barrier

Secure safety barrier **11** underside by using 2 pcs of bolts **D** and 2 pcs of washers **G** with tool as shown.

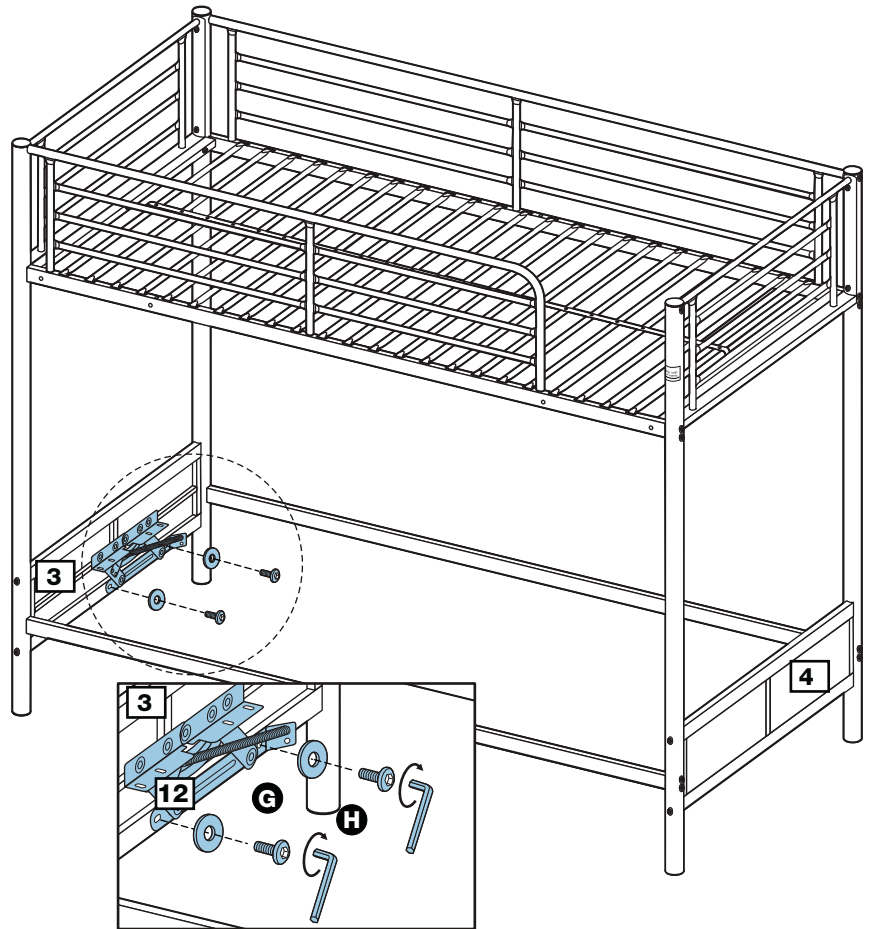


# Assembly Instructions

## Step 23

### Attaching spring hinge

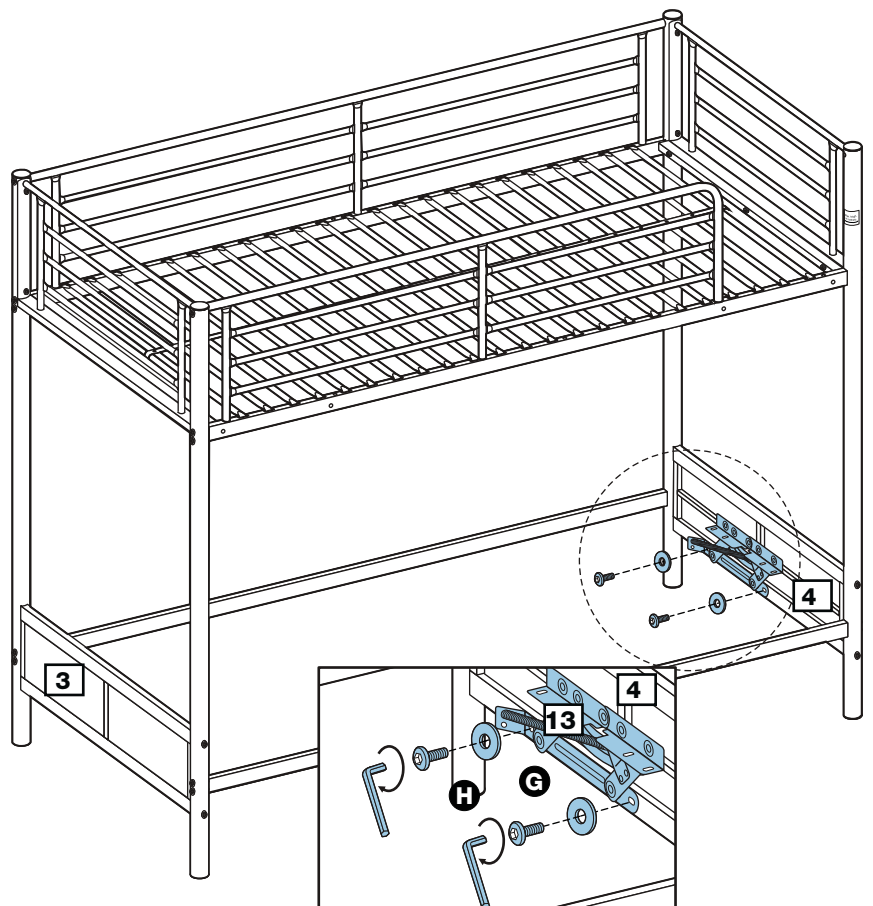
Attach 1 pc of spring hinge **12** by using 2 pcs of bolts **H** and washer **G** with tool.



## Step 24

### Attaching spring hinge

Attach 1 pc of spring hinge **13** by using 2 pcs of bolts **H** and washer **G** with tool.

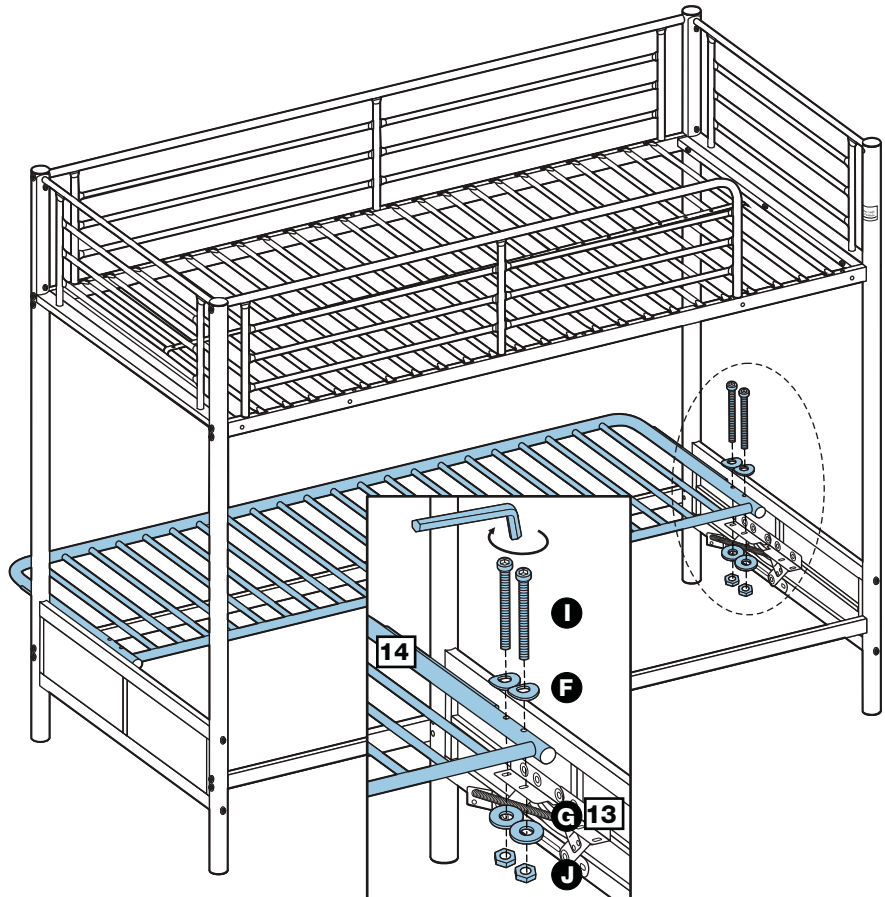


# Assembly Instructions

## Step 25

### Attaching futon frame

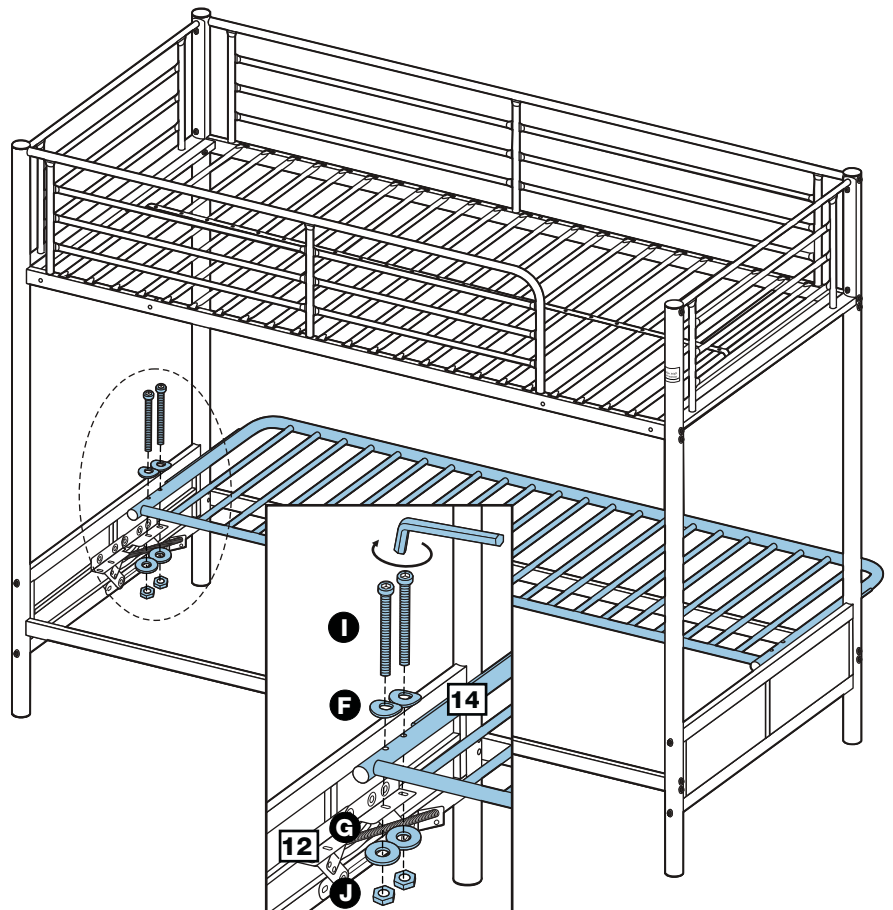
Lay down futon frame **14** on spring hinge **13** by using 2 pcs of bolts **I**, washers **F**, **G** and nuts **J** with spanner and tool.



## Step 26

### Attaching futon frame

Fix another side of the futon frame **14** through spring hinge **12** by using 2 pcs of bolts **I**, washers **F**, **G** and nuts **J** with spanner and tool.

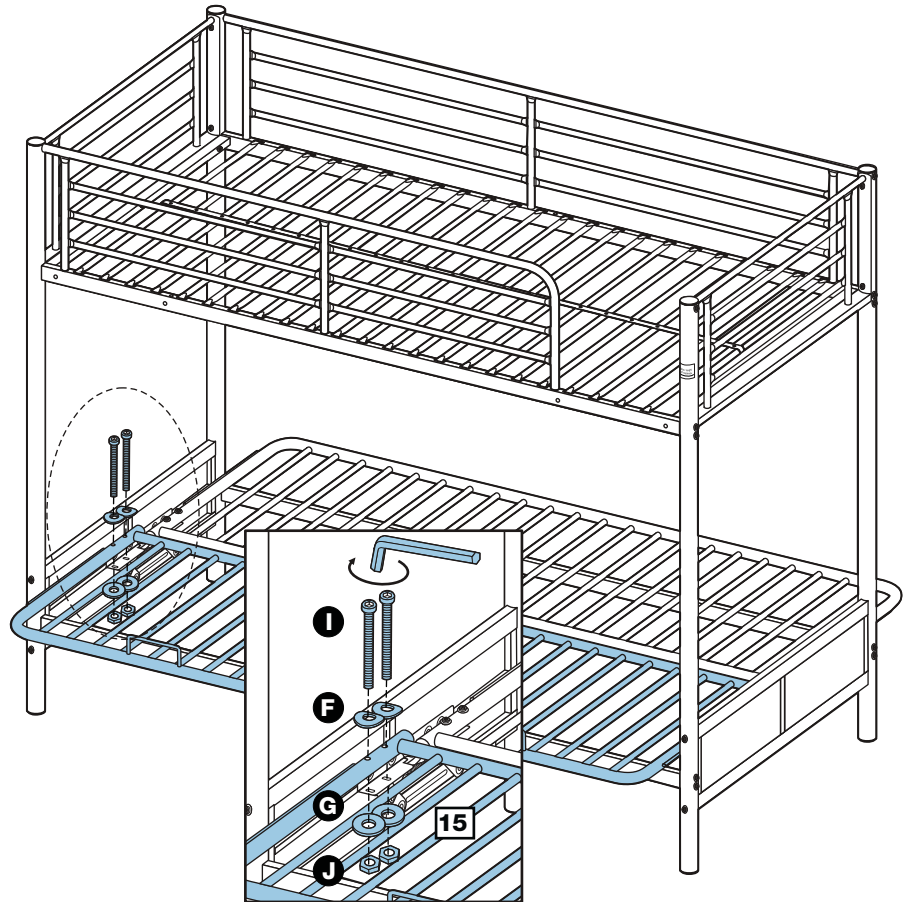


# Assembly Instructions

## Step 27

### Attaching futon frame

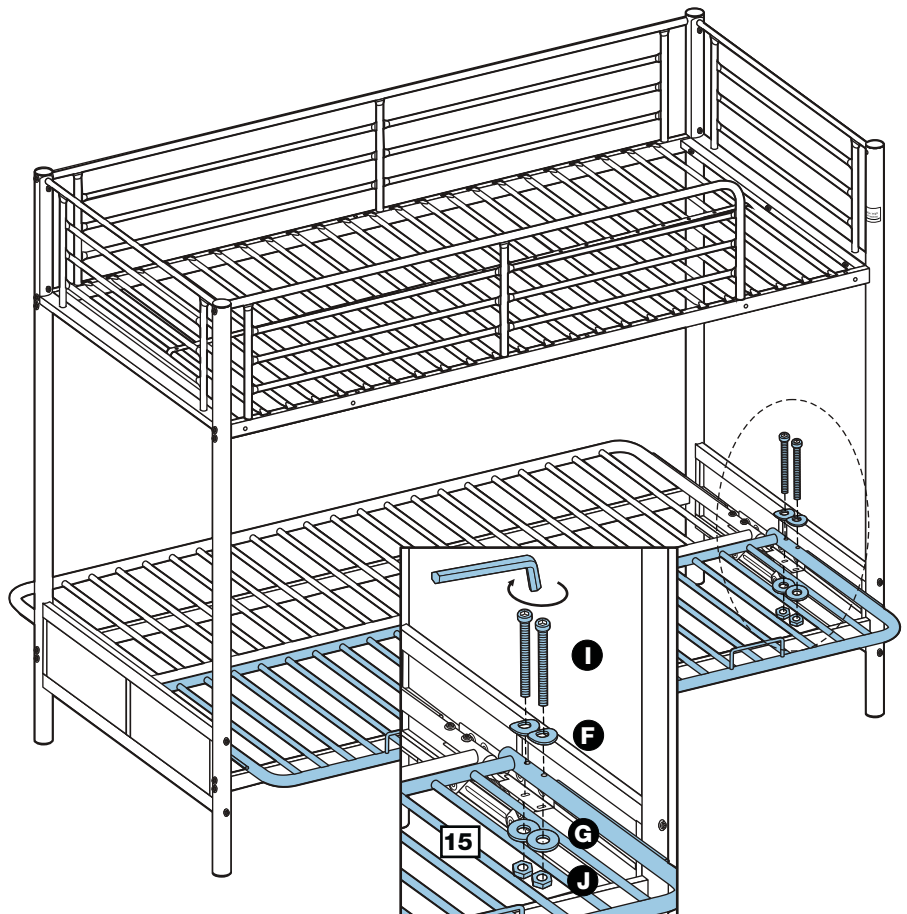
Lay down futon frame **15** on spring hinge **12** by using 2 pcs of bolts **I**, washers **F**, **G** and nuts **J** with spanner and tool.



## Step 28

### Attaching futon frame

Fix another side of the futon frame **15** through spring hinge **12** by using 2 pcs of bolts **I**, washers **F**, **G** and nuts **J** with spanner and tool.





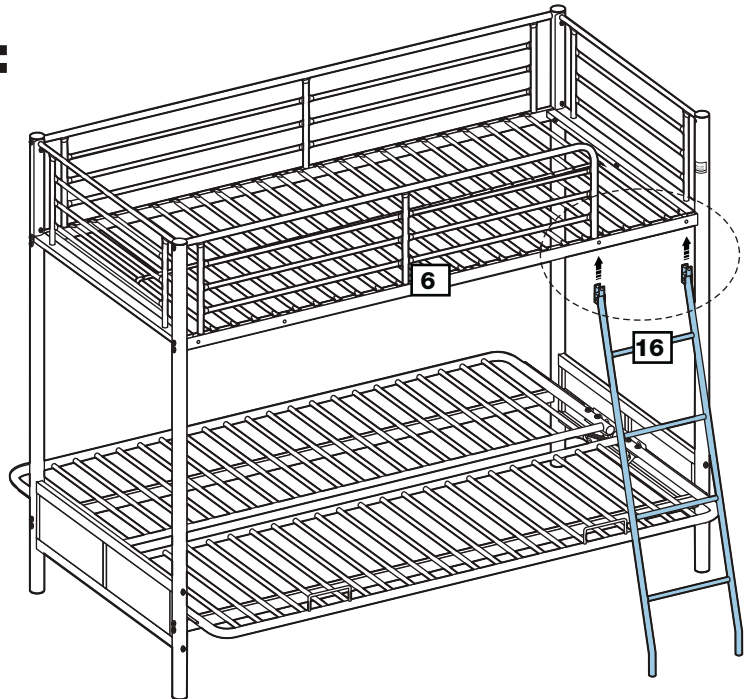
# Assembly Instructions

## Step 29

### Fixing ladder ( for right side )

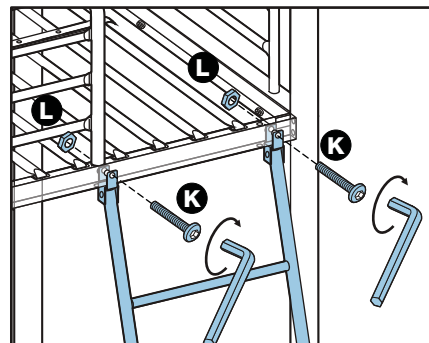
**a:** Attach the ladder onto this unit as shown.

**a:**



**b:** Fix the ladder **16** to the unit by using 2 pcs of bolts **K** and nuts **L** with tool.

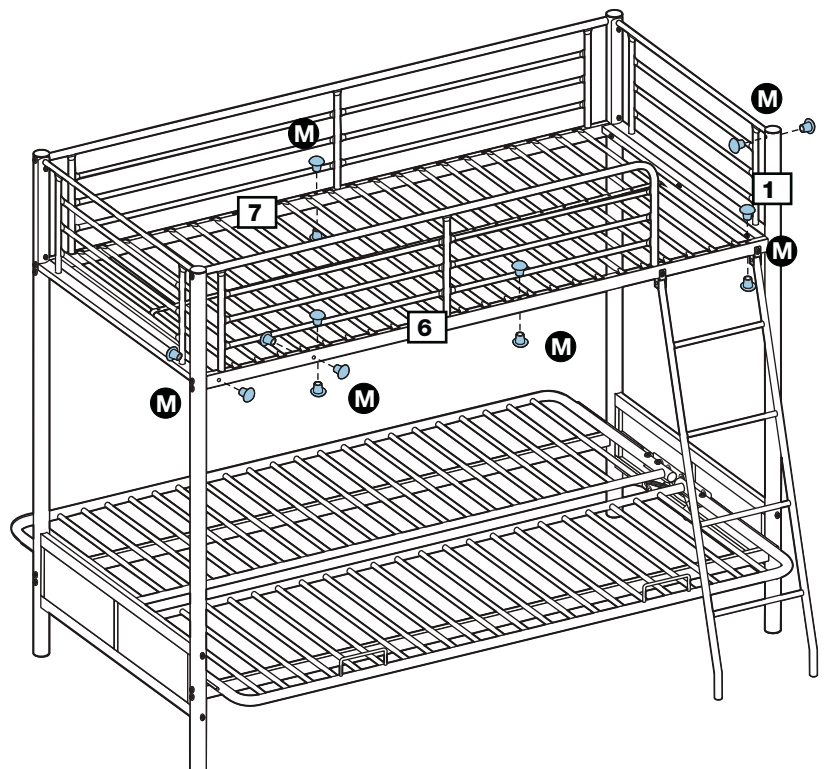
**b:**



## Step 30

### Attaching plastic covers

Attach 14 pcs of plastic covers **M** as shown.



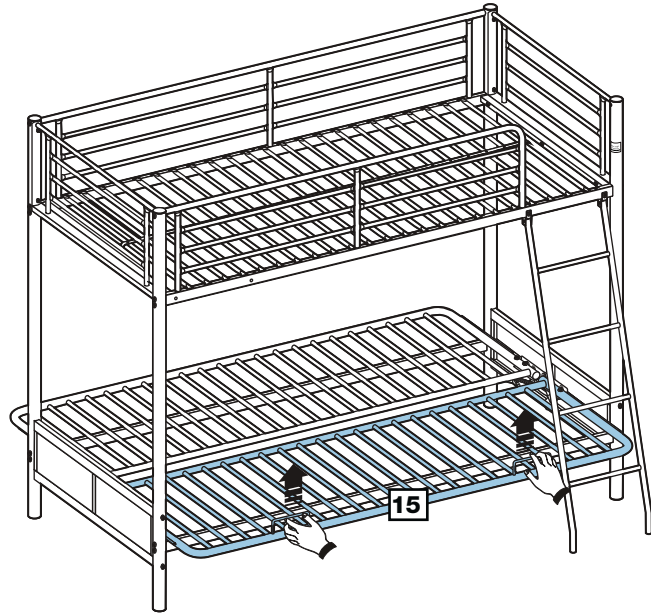
# Assembly Instructions

## Step 31

### Putting futon frame in position

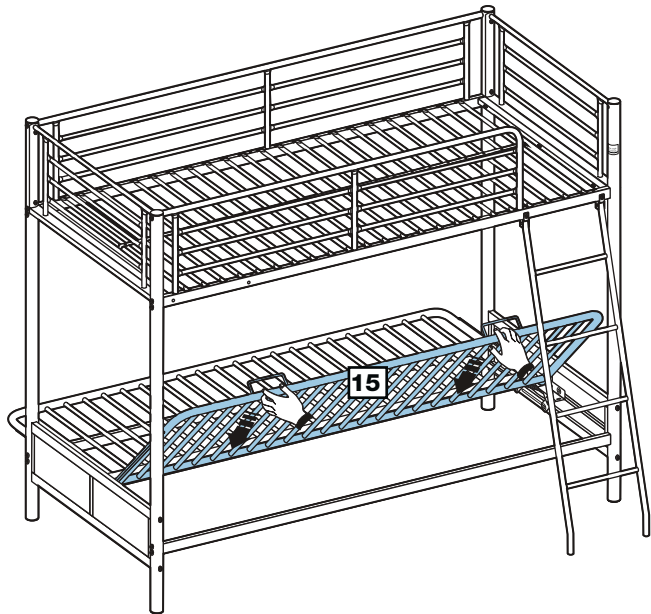
**a:** Lift up the front futon frame.

**a:**



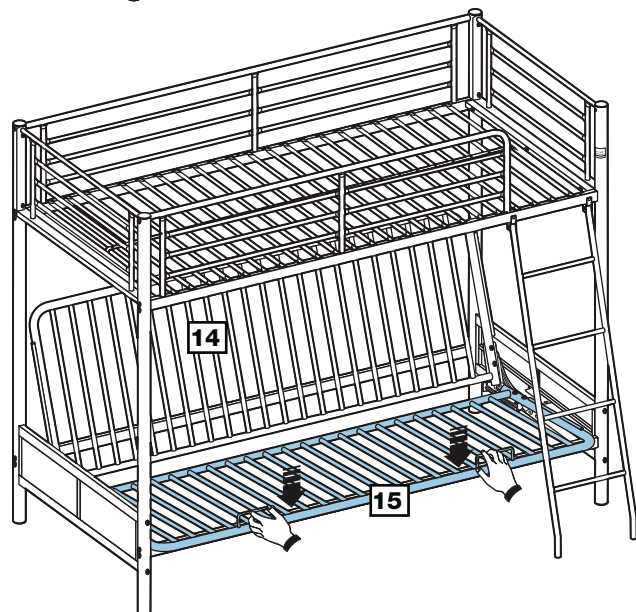
**b:** Push it inward.

**b:**



**c:** Put down the futon frame front to lock in position.

**c:**



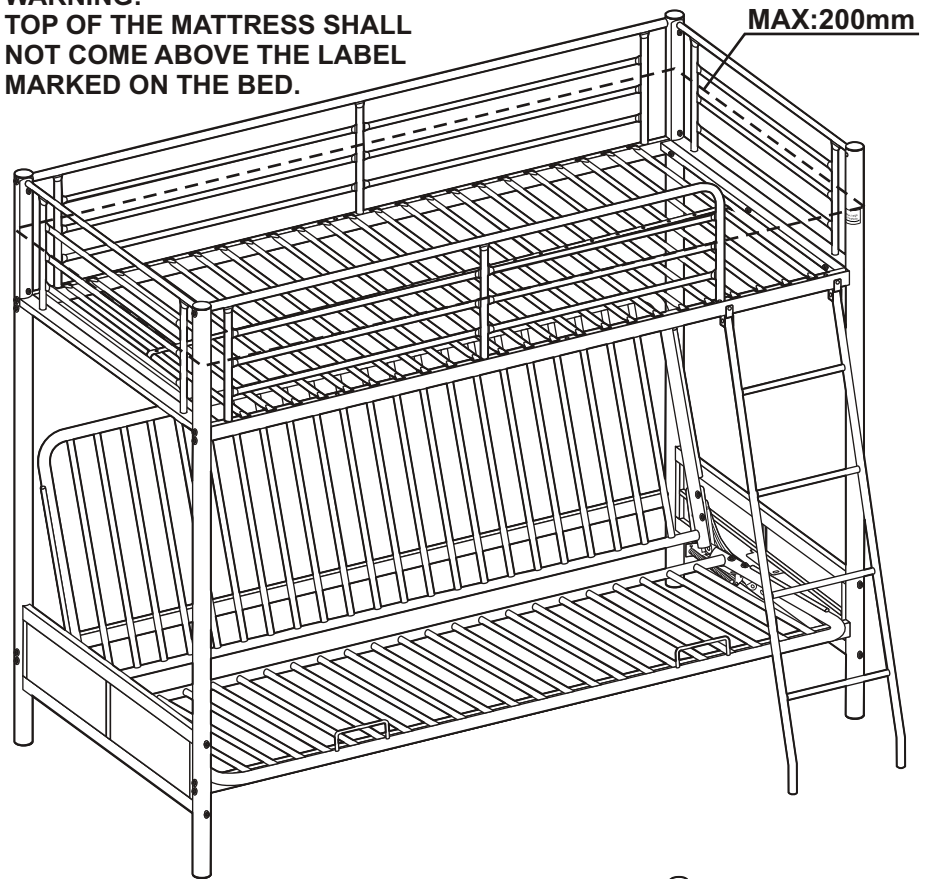
# Assembly Instructions

## Step 32

**Assembly is complete.**

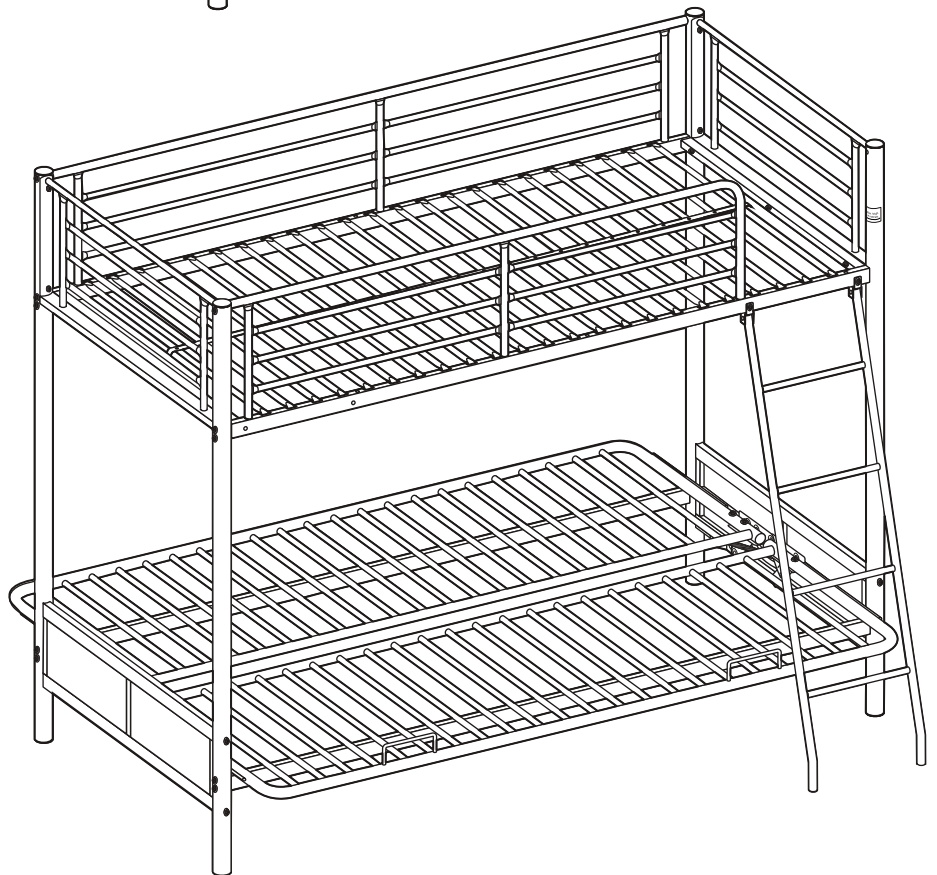
For safety reason, please ensure the top of the mattress shall not come above the line marked on the top bunk.

**WARNING:**  
TOP OF THE MATTRESS SHALL NOT COME ABOVE THE LABEL MARKED ON THE BED.



## Step 33

**Assembly is complete.**



If you need help or have damaged or missing parts, call the Customer Helpline: 08456 400800