

Bergen 3 drawer bedside chest

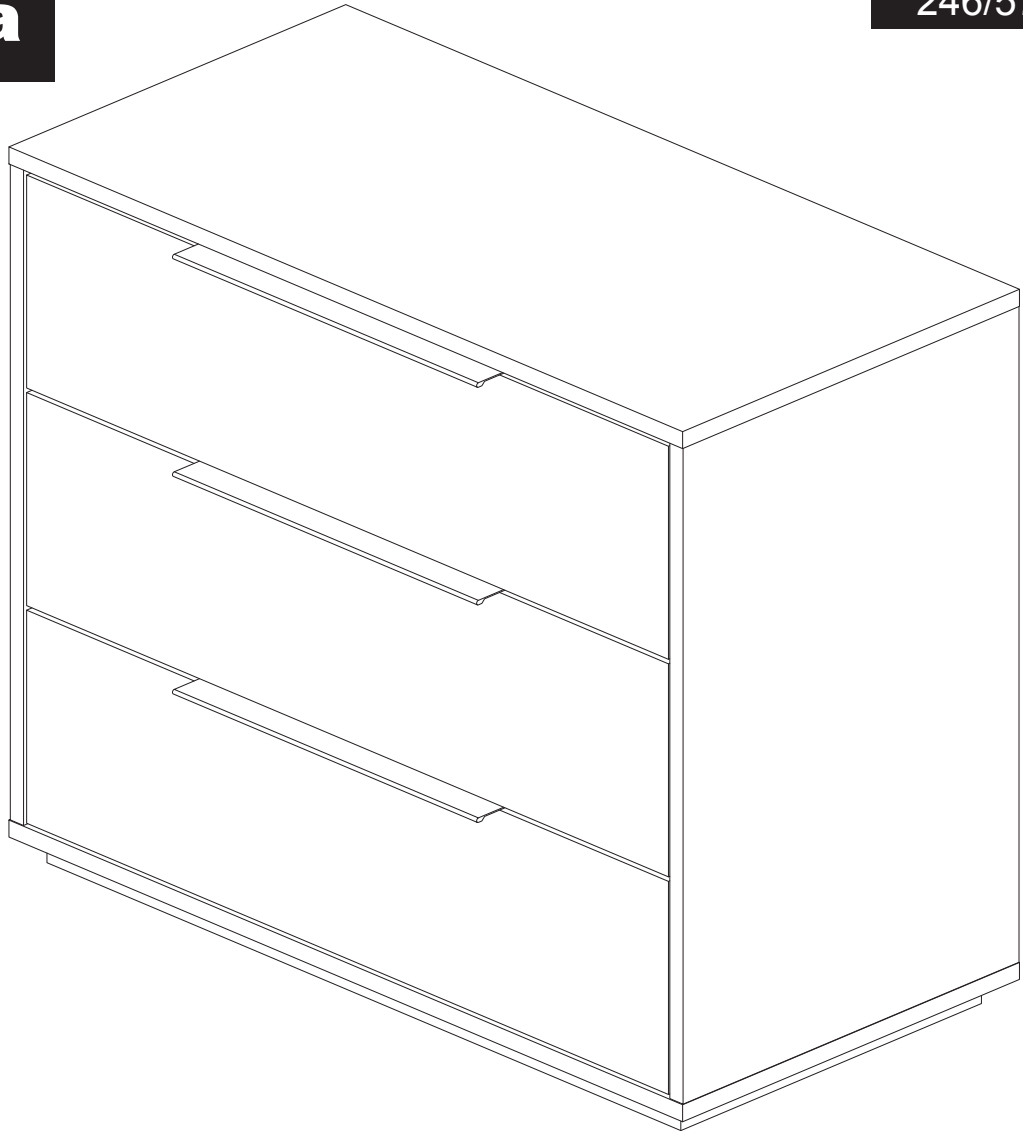
Assembly Instructions Please keep for future reference

244/7276

228/4532

246/5760

hygena



Dimensions

Width - 76.2cm

Depth - 38.1cm

Height - 63.1cm

244/7276 OAK
228/4532 WHT
246/5760 WAL

Tip : To prevent damage, we recommend that you build your unit on the carton(s) it was packed in.

Important – Please read these instructions fully before starting assembly

If you need help or have damaged or missing parts, please visit: www.argos-support.co.uk or email: Help@ClickSpares.co.uk (quoting your original order number)

Alternatively, call the Spares Helpline on: **0370 112 1928**

For any other queries please contact the Customer Helpline on: **0345 640 2020**



Safety and Care Advice

Important – Please read these instructions fully before starting assembly

- Check you have all the components and tools listed on pages 2 and 3.
- Remove all fittings from the plastic bags and separate them into their groups.
- Keep children and animals away from the work area, small parts could choke if swallowed.
- Make sure you have enough space to layout the parts before starting.

- Do not stand or put weight on the product, this could cause damage.
- Assemble the item as close to its final position (in the same room) as possible.
- Assemble on a soft level surface to avoid damaging the unit or your floor.
- Parts of the assembly will be easier with 2 people.



• To reduce the likelihood of damaging your product please ensure that your power drill is set on a low torque setting.

- Dispose of all packaging carefully and responsibly.

Glue safety - Take care when using glue, please follow the advice below

Skin contact: Remove contamination by washing with soap and water. This procedure should also be followed prior to eating and drinking.

Eye contact: Rinse immediately with clean water for 15 minutes and seek medical advice.

If swallowed: Seek medical advice immediately.

Care and maintenance

• Only clean using a damp cloth and mild detergent, do not use bleach or abrasive cleaners.

• From time to time check that there are no loose screws on this unit.

• This product should not be discarded with household waste. Take to your local authority waste disposal centre.

Handy Hints

• Assemble all parts and bolts loosely during assembly, only once the product is complete should you fully tighten the bolts

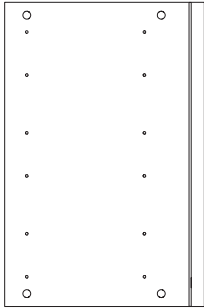
• Regularly check and ensure that all bolts and fittings are tightened properly.

Note: if required the next page can be cut out and used as reference throughout the assembly. Keep this page with these instructions for future reference.

Components - Panels

For damaged or missing parts, please visit:
www.argos-support.co.uk or email: Help@ClickSpares.co.uk

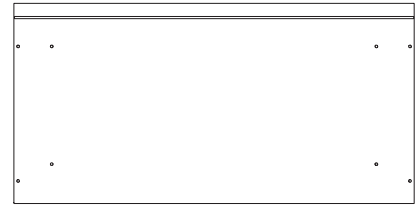
Please check you have all the panels listed below



1 Left & Right Side x 2
(57.9 x 38cm)
P2029



2 Top
(76.2 x 38.1cm)
P1988



3 Bottom
(76.2 x 38.1cm)
P1989



4 Foot
(71.7x 34cm)
P1990



5 Drawerfront x 3
(72.6 x 18.8cm)
FA4234 / P4234



6 Left Drawer Side x 3
(30.5 x 12cm)
LA163109



7 Drawer Back x 3
(68.2 x 12cm)
LA162609



8 Right Drawer Side x 3
(30.5 x 12cm)
LA163209



9 Foldy Back
(59 x 74.2cm)
BO253909



10 Drawer Base x 3
(69.1 x 29.9cm)
BO253709




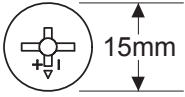
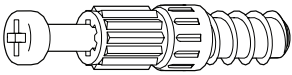

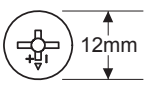



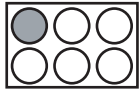
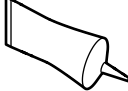


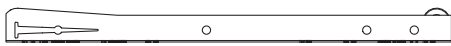

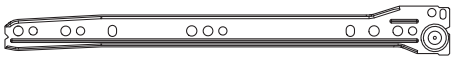
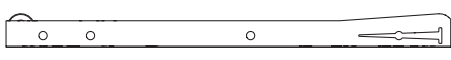
Components - Fittings

For damaged or missing parts, please visit: www.argos-support.co.uk or email: Help@ClickSpares.co.uk

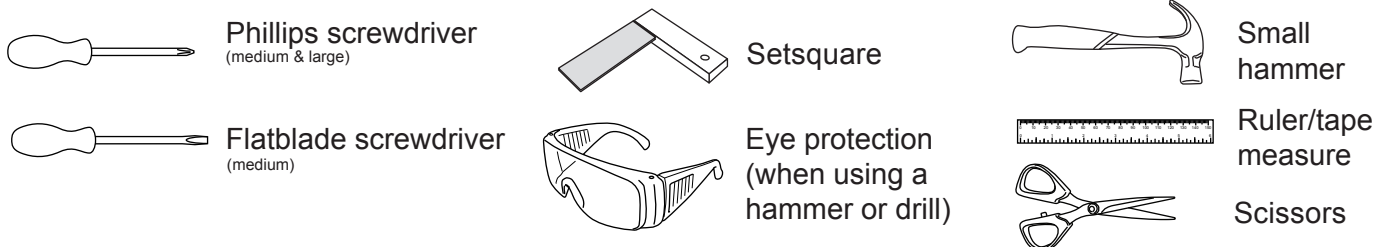
Please check you have all the fittings listed below

Note: The quantities below are the correct amount to complete the assembly. In some cases more fittings may be supplied than are required.

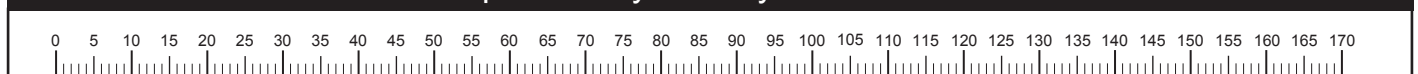
1/1


<p>A   FK1012</p> <p>Large locking nut x 8 (15x12mm)</p>	<p>B  FK1011</p> <p>Locking screw x 14 (5x24mm)</p>	<p>C   FK1010</p> <p>Small locking nut x 6 (12x10mm)</p>
<p>D  FK1301</p> <p>10mm Fixing screw drawer x 12</p>	<p>E  FK1309</p> <p>12,5mm Pozi screw x 51</p>	<p>F  FK1322</p> <p>30mm Chipboard screw x 4</p>
<p>G  FK1416</p> <p>Felt selfadhesive x 6</p>	<p>H  FA1510</p> <p>Glue x 1</p>	<p>I  FK1250</p> <p>Drawerbase support x 28</p>
<p>J  PM1516LA</p> <p>Runner left part A x 3</p>	<p>K  PM1516LB</p> <p>Runner left part B x 3</p>	<p>L  GR1978</p> <p>Drawer handle x 3</p>
<p>M  PM1516RA</p> <p>Runner right part A x 3</p>	<p>N  PM1516RB</p> <p>Runner right part B x 3</p>	

Tools required



Ruler - Use this ruler to help correctly identify the screws



4  The screws length is measured from the head to the point (30mm screw shown).

Assembly Instructions

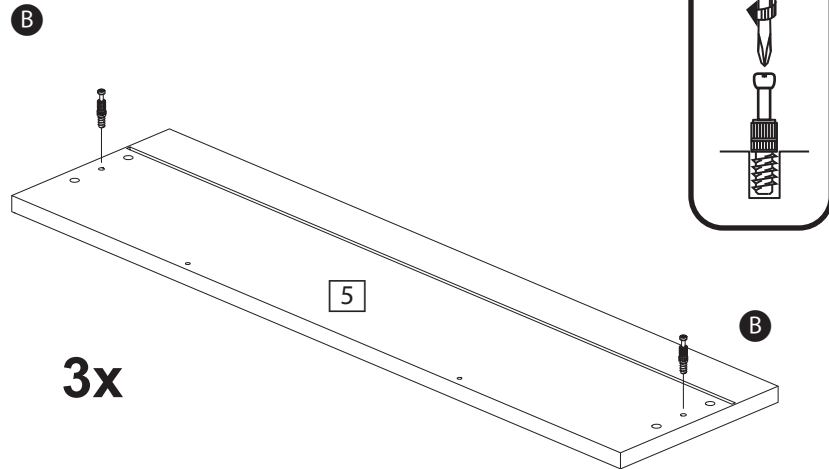
Step 1

a: Prepare the drawer fronts

Screw 2 locking screw **B** into the holes shown on the back of each drawer front **5**.

Note: Insert locking screw **B** as far as shown. **Do not over tighten.**

a:



b: Prepare the drawer sides

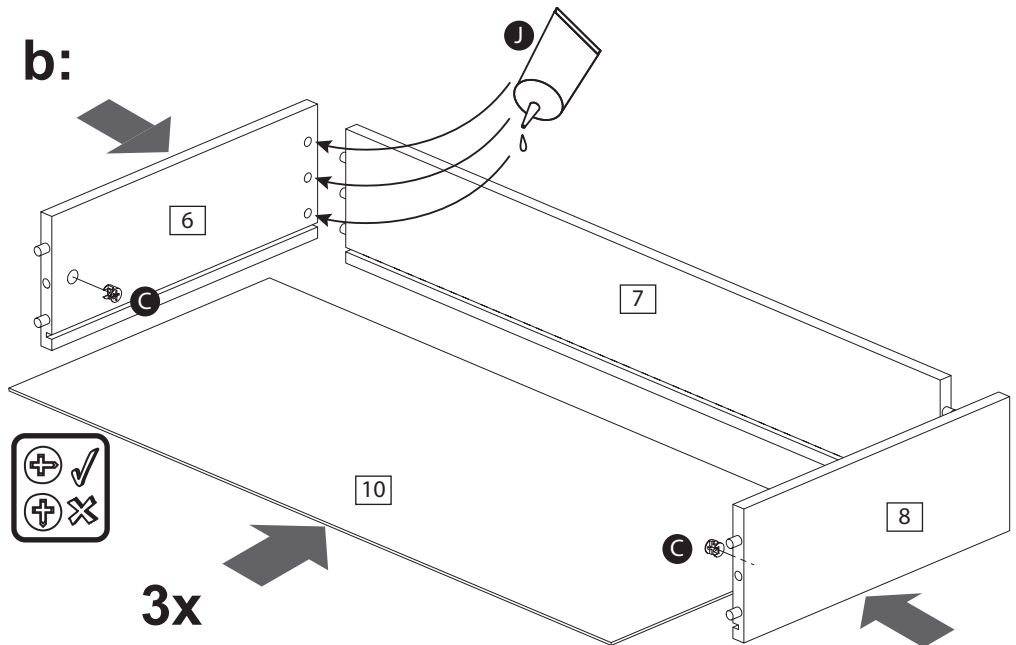
Insert a small locking nut **C** into the hole on left drawer side **6** and right drawerside **8**.

Make sure the 'arrow' on **C** is pointing towards the hole in the edge of **6** and **8**.

Put drop of glue **J** in the 6 holes of drawersides **6** and **8** before sliding them onto the dowels of drawerback **7**.

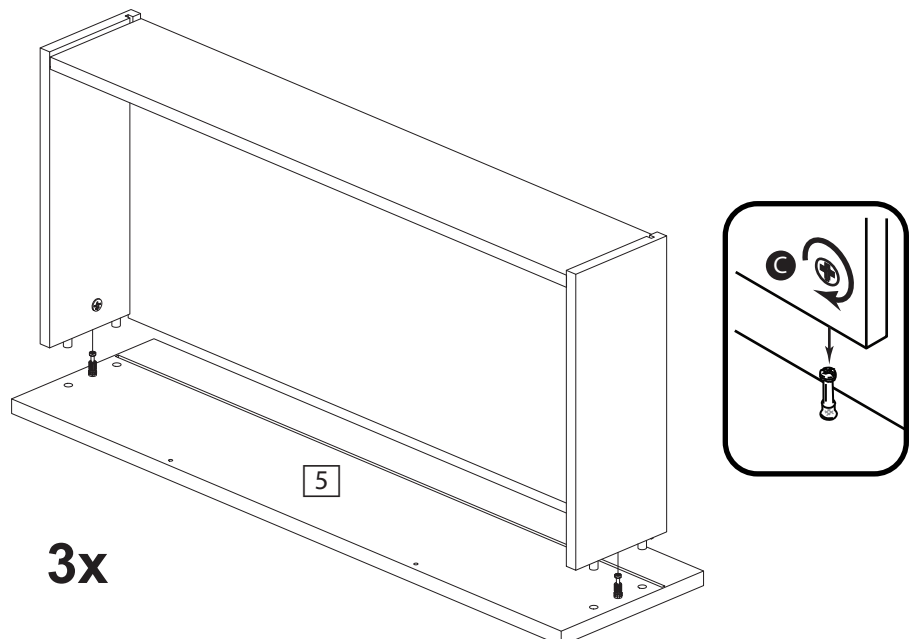
Slide drawerbase **10** in the grooves of the drawer-unit.

b:



c: Turn the drawer wrap assembly over and push onto the drawer front **5**. Use a phillips or flatblade screwdriver, that is a good fit, to turn 24mm locking nut **C** as far as it will go - more than 1/2 turn.

c:



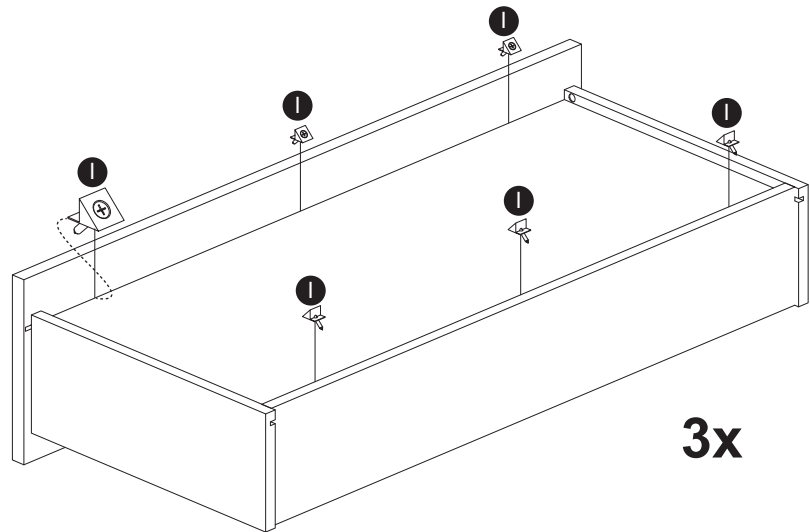
Assembly Instructions

Step 1 continued

finishing the drawers

d: Turn over drawer and slide drawerbase supports **l** in corner as shown and fix them, using the attached screws .

d:

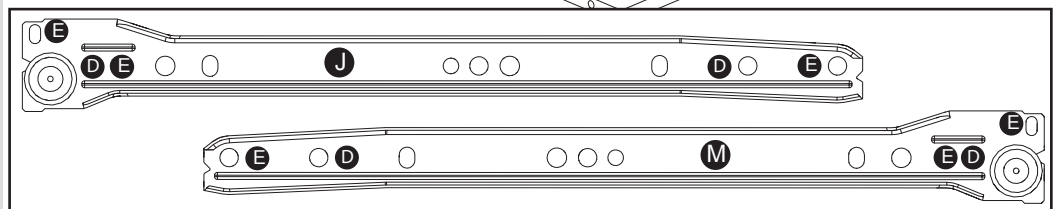
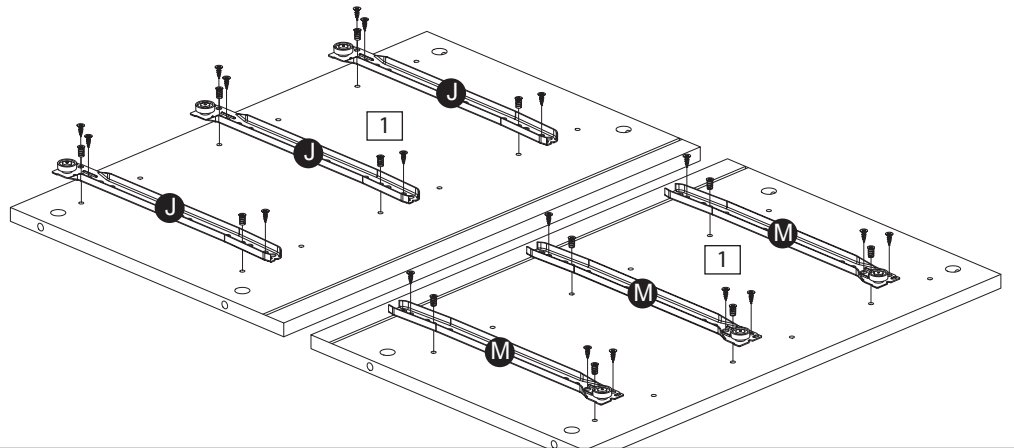


Step 2

Attaching runners

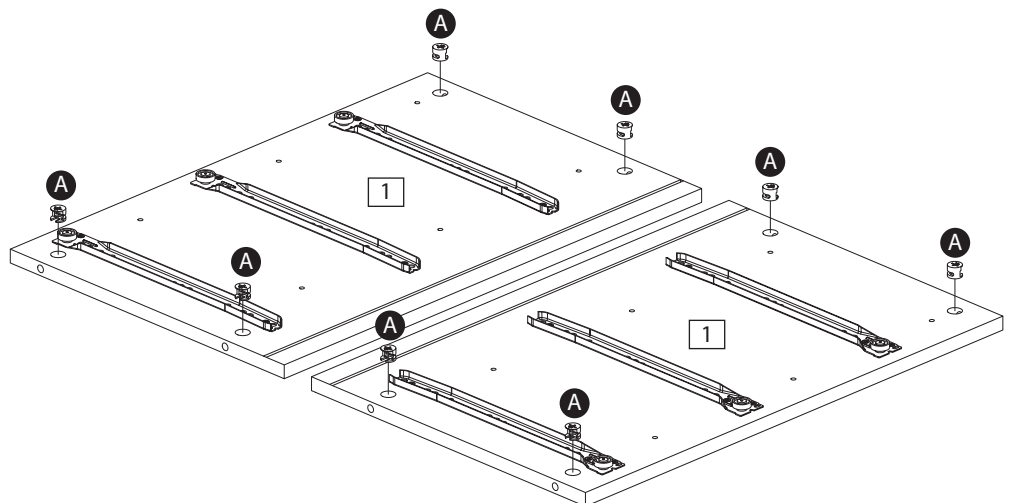
a: Fix runner left and right side **A** **J** and **M** on left & right side **1** as shown using 10mm fixing screw drawer **D** and 12,5mm pozi screw **E**.

a:



b: Insert 8 Large locking nuts **A** into left & right side **1** where shown. Make sure the 'arrow' on **A** is pointing towards the hole in the edge of **1**.

b:



Assembly Instructions

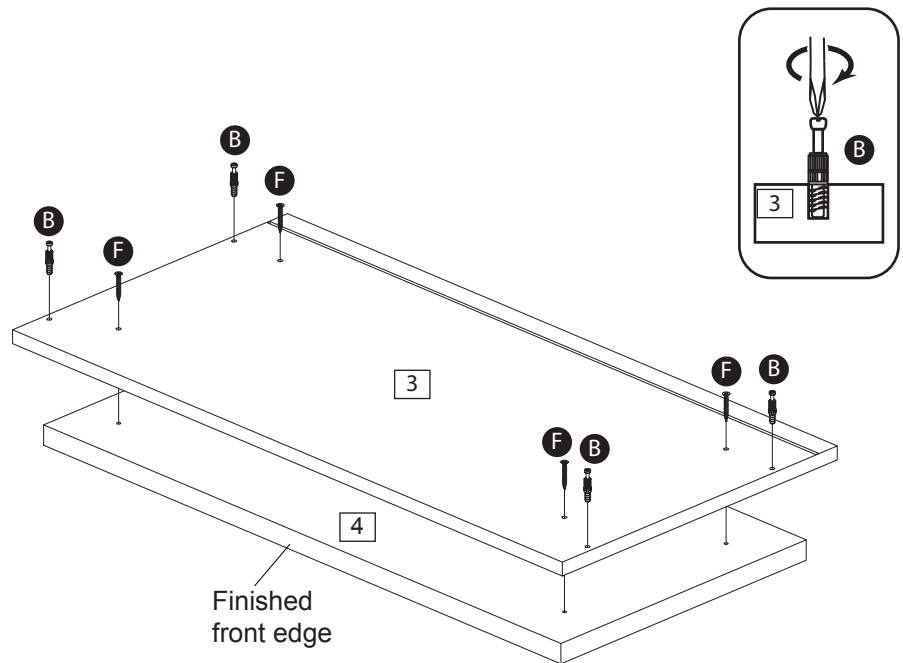
Step 3

Attach bottom and foot

Position bottom **3** onto foot **4** and fix with 30mm chipboard screw **F**.

Screw 24mm locking screws **B** into bottom **3**.

Note: Insert locking screw **B** as far as shown. **Do not over tighten.**

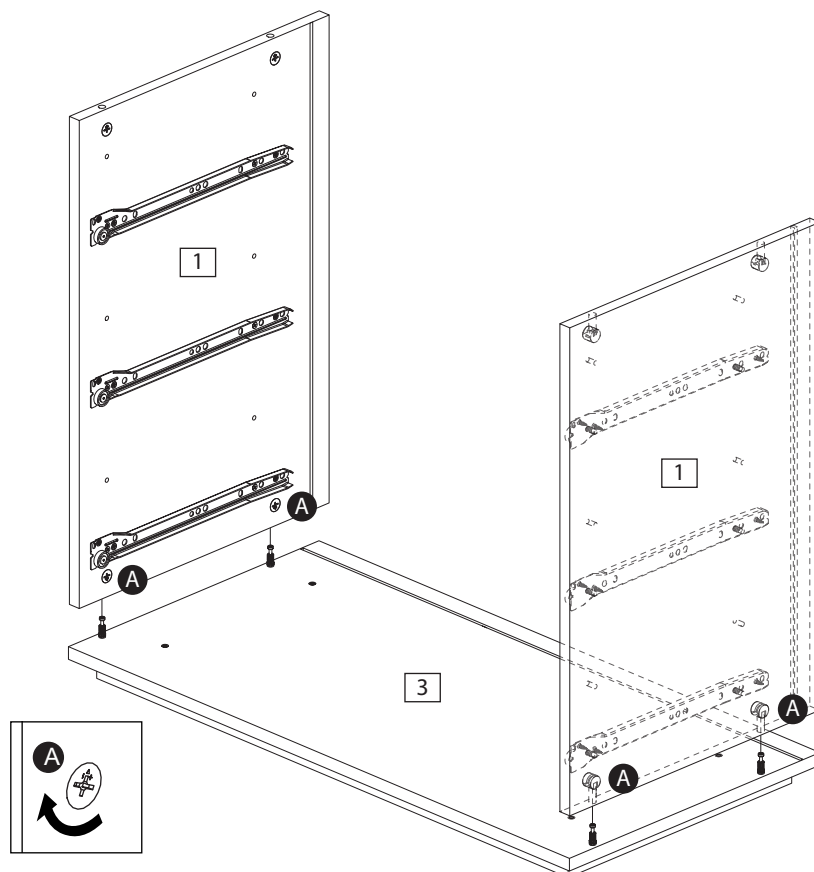


Step 4

Attaching left & right side

Position left & right side **1** onto bottom **3**.

Use a screwdriver to turn locking nuts **A** clockwise to lock.

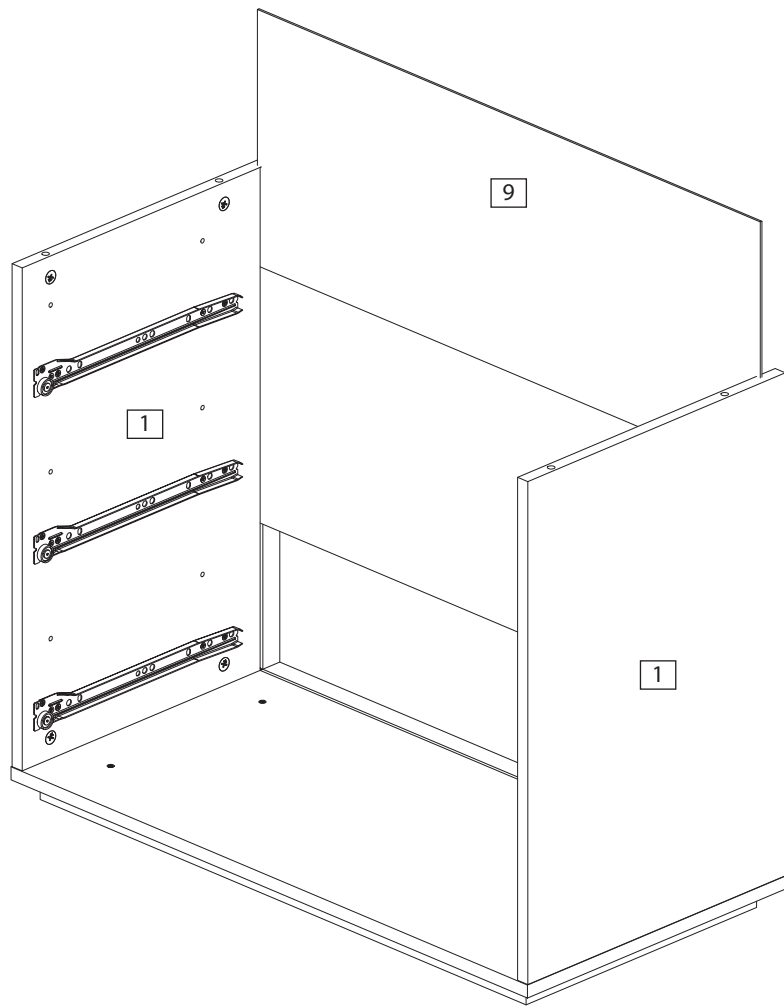


Assembly Instructions

Step 5

Slide in foldy back

Slide foldy back **9** into the grooves in left & right side **1**.

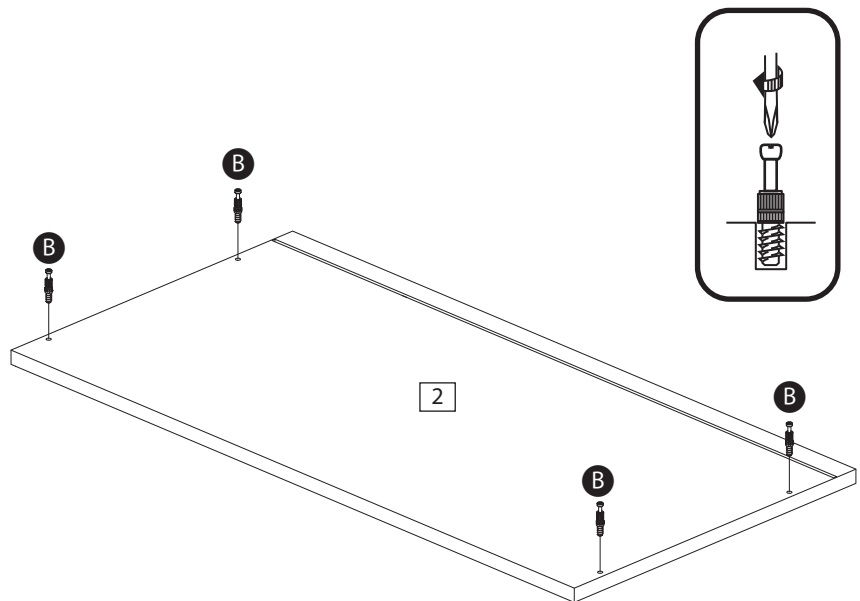


Step 6

a: Prepare top

Screw 4 locking screw **B** into the holes shown on top **2**.

Note: Insert locking screw **B** as far as shown. **Do not over tighten.**



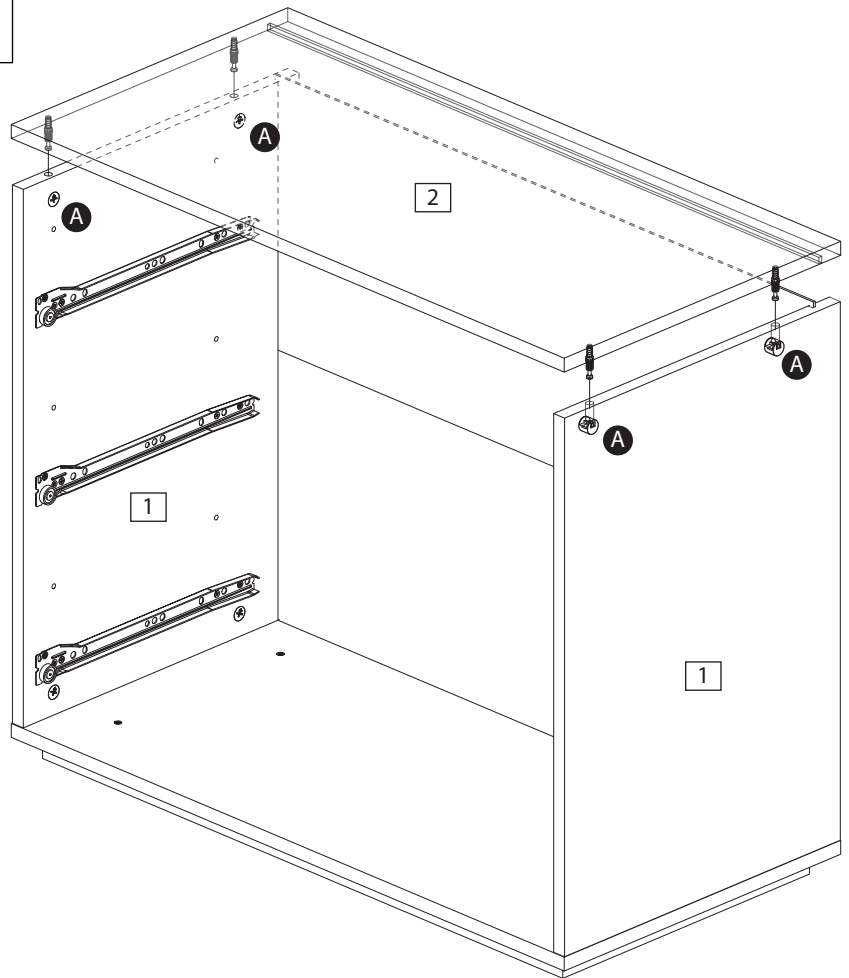
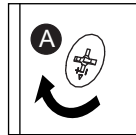
Assembly Instructions

Step 6 continued

b: Attaching top

Position top **2** onto left & right side **1**.

Use a screwdriver to turn locking nuts **A** clockwise to lock.

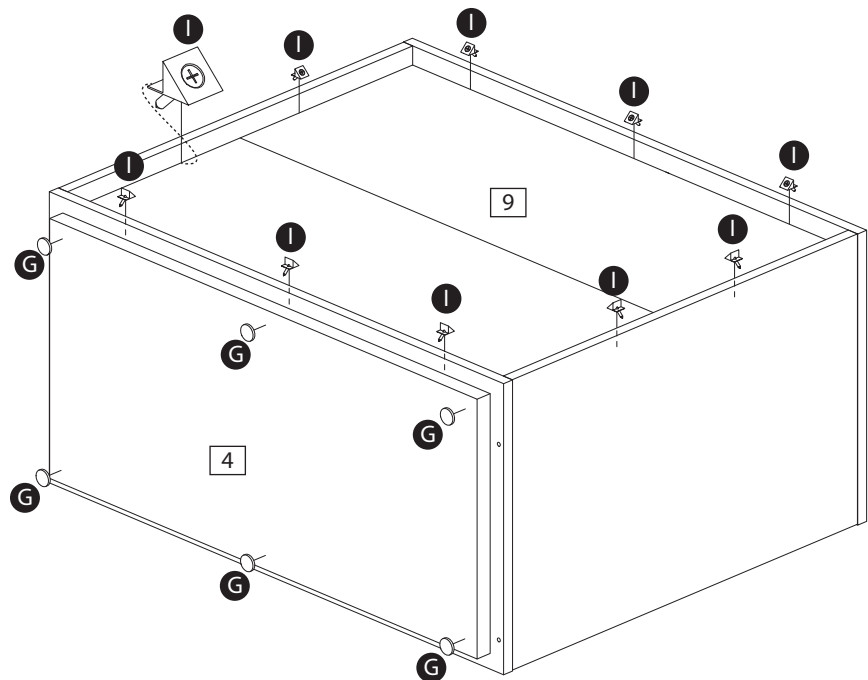


Step 7

Fixate foldy back

Turn over chest and slide drawerbase supports **I** in corner as shown and fix them, using the attached screws.

Stick the selfadhesive felt **G** strategically underneath the foot **4**.



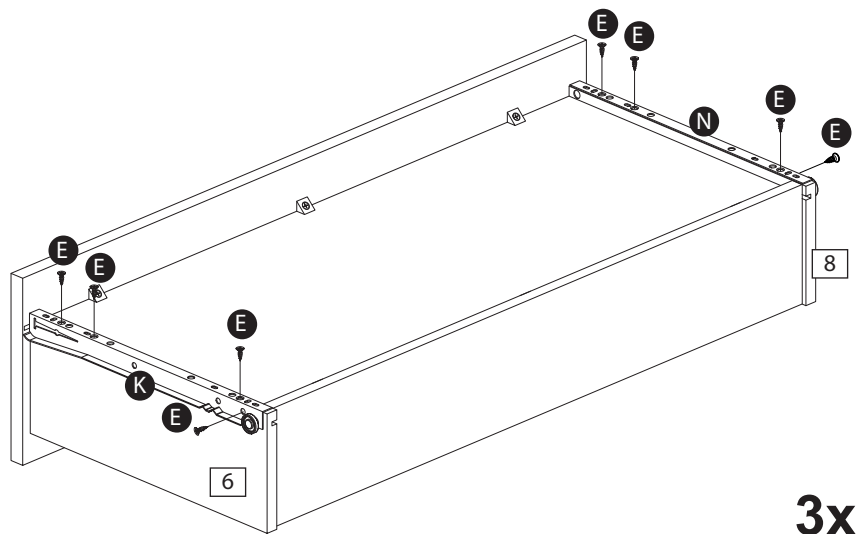
Important:
Chest **MUST**
be 'square'
when back is
attached.

Assembly Instructions

Step 8

Attaching runners

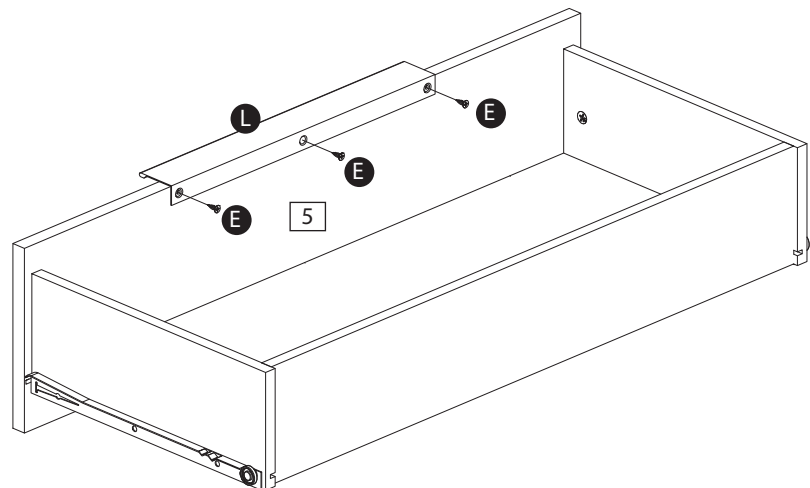
Fix runner left and right side B **K** and **N** on left & right drawer side **6** and **8** as shown using 12,5mm pozi screw **E**.



Step 9

Attaching drawer handle

Attacht drawer handle **L** on drawer front **5** as shown using 12,5mm pozi screw **E**.



Step 10

Inserting drawers

