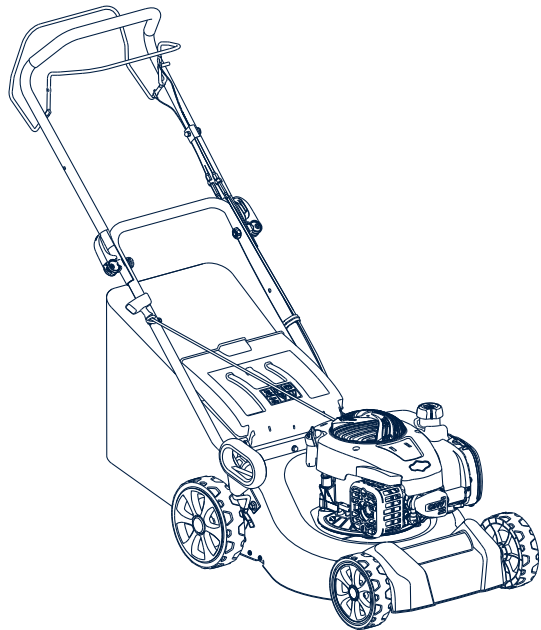


IN THE BOX

**SPEAR &
JACKSON**

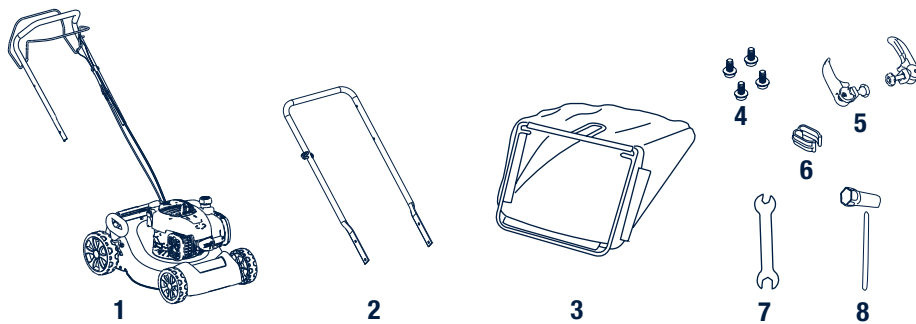
QUICK START GUIDE



41cm 125cm³ self propelled

Petrol Lawnmower

XSZ41D



1. Main mower deck (with upper handle attached)
2. Lower handle with rope guide
3. Grass collection bag 1pc
4. Handle fixing bolts 4pcs
5. Quick clamp 2pcs
6. Cable clip 1pc
7. Spanner 1pc
8. Plug wrench 1pc

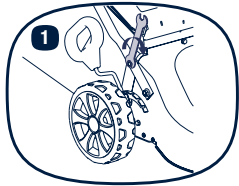
**Important - Please read these instructions
fully before starting assembly**

These instructions contain important information that will help you get the best from your mower, ensuring it is assembled correctly and safely. If you need help or have damaged or missing parts, call the Customer Helpline on 0345 605 2067

**AFTER SALES SUPPORT
0345 605 2067**

ASSEMBLE

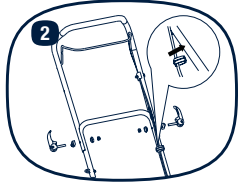
Unpack the lawn mower ensuring all parts are present



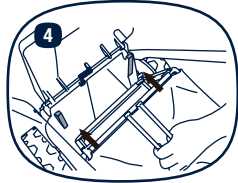
Align the lower handle with the holes in the deck. Fix the lower handle using the 4 handle fixing bolts onto the deck firmly with supplied wrench. Make sure that the rope guide is in the **right**, when you stand behind the mower.



Attach the grass bag to the frame by fixing all plastic hooks.

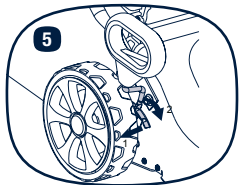


Fix the upper and lower handle with supplied quick clamps, ensuring cables are not twisted. Use the cable clip to secure the cables to the handle.

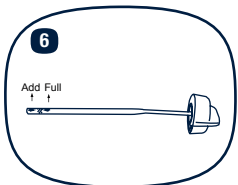


Lift the flap and hook the grass bag over the plastic hooks on the rear of the mower.

PREPARE

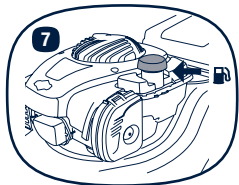


Adjust the cutting height via the lever located at the rear right wheel.

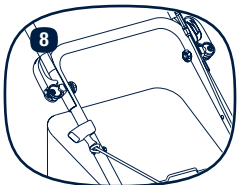


The engine does not come with oil. Add 0.5 litres SAE 30 oil.

CHECK THE OIL LEVEL BEFORE EVERY USE.



Fill the petrol tank with 0.8l of normal 95 Octane petrol (standard unleaded) using a funnel and measuring jug.



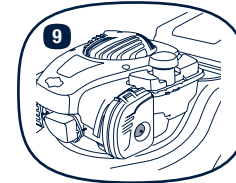
Slowly pull out starter rope & hook it through the eye of rope guide. You should **ALWAYS** start your mower from this position.

OPERATE

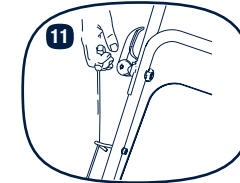


Do not start the engine before putting 500ml of SAE 30 oil into the engine. Failure to do so will result in irreparable damage to the engine and invalidate your warranty.

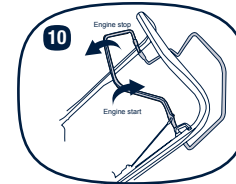
Fill the petrol tank with 0.8l of normal 95 Octane petrol (standard unleaded) using a funnel and measuring jug.



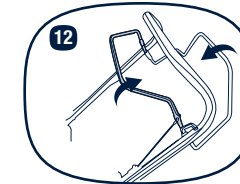
When starting a cold engine, press down the primer fully 3-5 times. When starting a warm engine, the primer does not need to be used.



To start the engine slowly pull the start cord out until resistance is felt (approx 10-15cm) then start the engine with a sharp vigorous pull.



Hold the stop/start bar firmly to the handle to keep the engine running.



Pull up the propulsion lever to engage the self propelled function.

PRIMER BULB 3-5 TIMES	STOP/START-LEVER CLOSED	PULL STARTING -KNOB	PROPULSION-LEVER CLOSED

To stop the mower release the stop/start bar.

IMPORTANT INFORMATION!

Always read the instruction manual thoroughly before starting the lawnmower.



In cold weather it may be necessary to repeat the cold engine starting process.



Never allow the starter cord to snap back.



Check the oil level before every use. **Always use high quality detergent oil classified SAE30 oil (or equivalent eg 5W 30, often termed as 4 Stroke lawn mower oil).**

If you have any difficulties please contact the helpline on 0345 605 2067