

HOOVER




INSTRUCTIONS BOOKLET

BUILT-IN COOKTOPS

GB

Important warnings and tips for use

- ◆ **IMPORTANT!** This manual constitutes an integral part of the appliance. It must be kept intact and within easy reach during the entire life of the cooktop. Please carefully read this manual and all the instructions contained herein before using the appliance. Keep any spare parts supplied with the appliance. Installation must be carried out by a qualified technician and in compliance with current regulations. This appliance is intended solely for domestic use and is designed for the following functions: **cooking and reheating food**. Any other use is considered as improper.
The manufacturer declines all liability resulting from poor installation, tampering, inexpert use and use for purposes other than those specifically stated.
- ◆ Check that the appliance has not been damaged during transport.
- ◆ Keep all packaging materials (plastic bags, polystyrene foam, nylon, etc.) away from children, as they are potentially dangerous.
- ◆ The packaging material is recyclable, and marked with the recycling symbol . **Dispose of the appliance responsibly.**
- ◆ This appliance must be used by adults only. **Make sure children do not touch the controls or play with the appliance.**
- ◆ Installation and gas/electrical connections must be carried out by a qualified technician in accordance with the manufacturer's instructions and in full compliance with current laws and safety regulations.
- ◆ Electrical safety can only be guaranteed if the product is connected to a suitable earth connection.
- ◆ It is dangerous to modify or attempt to modify the appliance. In the event of a malfunction, do not attempt to repair the appliance yourself, but contact a qualified technician.
- ◆ After using the cooktop, ensure the indicator on the knob is turned to the "off" position and close the mains gas delivery tap or the gas cylinder tap.
- ◆ Should you decide not to use the appliance any longer, before scrapping it make it unusable in accordance with current environmental health and safety laws, ensuring any parts which might constitute a danger to children are rendered harmless.
- ◆ The appliance data plate, with technical specifications, is positioned at a visible point under the safety cover and is also enclosed with this manual. **The data plate below the safety cover must under no circumstances be removed.**
- ◆ Illustrations for the use of the appliance are grouped together at the end of this manual.

Declaration of Conformity

This appliance conforms to the following EC directives:

- **90/396/EEC** "Gas safety requirements"
- **73/23/EEC** "Low voltage" - Replace from 2006/95/EC and modifications
- **89/336/EEC** "Electromagnetic compatibility" - Replaced from 2004/108/EC and modifications
- **89/109/EEC** "Materials or objects destined to come into contact with foodstuffs"
- Regulation EC N°1935/2004 "Materials or objects destined to come into contact with foodstuffs"

These instructions are valid only for those countries whose ID initials appear on the data plate found on the instructions handbook and on the appliance.

COOKTOP SPECIFICATIONS

Warnings:

This appliance is designed to be built into a housing unit.

- ◆ The installation class is type 3 for gas and type Y for electric parts.
- ◆ Housing units must be designed to withstand temperatures of up to 90°C or over.
- ◆ For correct installation, refer to the relevant paragraph and reference drawings.
- ◆ The use of a gas cooking appliance produces heat and humidity in the room in which it is installed. Ensure the kitchen is well ventilated: keep natural ventilation openings open, or install a mechanical ventilation device (extractor hood with exhaust duct). In the case of intensive or prolonged use of the appliance it may be necessary to provide additional ventilation, for example, by opening a window, or more efficient ventilation, for example by increasing the hood speed.

This handbook is valid for several types of cooktop. Refer to the data plate on the back in order to identify the **model** that corresponds to your appliance. These initials, together with the instructions in the following paragraphs and the illustrations at the back of the manual (Fig 1) will show the particular composition of your appliance.

An Example:

HOOVER	
Type: P6N	W: 0.6
Mod. Tc: P6NKL4NKFV-I	230V~ 50Hz
Code: 33800584	Pin: 1312BL3303
Mod: HGL60AMB	

COOKING POINTS




60 cm cooktops with side controls

Mod: HGL60AM X - HGL60AM W - HGL60AM N (Fig. 1)

1. Semirapid right burner (SR)
2. Semirapid left burner (SR)
3. Rapid burner (R)
4. Auxiliary burner (A)

Gas burners

The delivery of gas to the burners is controlled by the knobs shown in fig. 4 that in turn control the taps. The symbols, depending on the various versions, may be printed on the knobs or on the control panel. By moving the indicator to coincide with the printed symbols, the following adjustments can be made:

-  Tap closed, no gas delivery
-  Maximum capacity, maximum gas delivery
-  Minimum capacity, minimum gas delivery

Burner ignition

- Burners without safety valve

To light burners without electric ignition, or to light those with ignition during a power cut, place a naked flame next to the burner, press the corresponding knob down and turn anti-clockwise until the symbol * coincides with the reference mark on the control panel.

For minimum gas delivery, turn the knob until the indicator points to the small flame.

The setting must always be positioned between the maximum and minimum, and never between the maximum setting and the off position.

To switch the burner off, turn the knob clockwise to the position "tap closed"

- Burners with electric ignition

❖ **Models with ignition switch**

To light one of the burners, press the ignition switch and turn the corresponding knob to the maximum delivery position (symbol *). Hold the switch down until the burner lights, then adjust the flame by turning the knob to obtain the desired intensity.

❖ **Models with ignition incorporated in the control knobs**

These models are identified by the symbol % next to the symbol * (Maximum delivery).

To light one of the burners, press the knob down and turn it to the maximum delivery position, holding down until the burner lights. Next adjust the flame by turning the knob to obtain the desired intensity.

Note:

If the particular nature of the local gas supply makes it difficult to ignite the burners with the knob turned to the maximum setting, repeat the operation without a pan in position and with the knob turned to the minimum setting.

- Burners with safety valves

Some models are equipped with safety valves which automatically shut off the gas delivery in the event the burner should, for any reason, go out.

To relight the burner, turn the knob to position 1 and repeat the ignition procedure explained in the following paragraphs.

❖ **Using the burners**

For models fitted with ignition incorporated in the knobs, turn the gas tap knob to the maximum delivery position, then press and hold down for about 4+5 seconds. Release the knob and adjust the flame by turning the knob to the desired intensity.

For models fitted with ignition switch, turn the gas tap knob to the maximum delivery position, then press the ignition switch and the knob, holding down for about 4+5 seconds. Then release the knob and adjust the flame by turning the knob to the desired intensity.

Warning:

The ignition device must not be used for more than 15 seconds.

If after this length of time the burner does not light, or if it goes out again accidentally, wait 1 minute before trying to ignite the burner again.

Choosing the right burner

The symbols stamped on the control panel (fig. 4) next to the knobs indicate which knob corresponds to which burner. To choose the most suitable burner, take into account the diameter of the pan as well as the pan capacity (see table).

The diameter of the pan must be proportionate to the burner power in order to ensure high yield.

Pan diameter		
Burner	Minimum diameter	Maximum diameter
Auxiliary	60 mm (with reducer)	140 mm
Semirapid	160 mm	200 mm
Rapid	200 mm	240 mm

ADJUSTMENT TO DIFFERENT TYPES OF GAS

If a different type of gas from the one indicated on the rating plate is used, the injectors must be replaced.

If spare injectors are not supplied with the appliance, they are available from the After-sales service.

For the choice of replacement injectors, refer to the injectors table.

The injectors are identified by their diameter, which is expressed in hundredths of mm, stamped on the body of the injector itself.

Replacing the injectors

- ❖ Remove the grids and burner caps from the cooktop
- ❖ Using a socket wrench, replace the injectors "J" (fig. 11) with the suitable ones for the gas used.
- ❖ Replace the burners (see fig. 13)

The burners do not require primary air adjustment.

Adjustment of minimum setting

After replacing the injectors, light the burner and remove the knob. Turn the tap to the minimum setting and insert a screwdriver in the rod: tighten to reduce the flame, loosen to increase the flame. (fig. 11)

For gas G30/G31, tighten the adjustment screw fully

The flame must be small, uniform and regular all around the burner crown.

Finally, check that the flame does not go out by rapidly turning the tap from the maximum setting to the minimum. For burners with a safety device, check that the flame slightly licks the thermocouple. Make sure that the adjustment is correct by leaving the burner alight for a few minutes. If it goes out, increase the minimum setting.

Using the grids

The panstand grids are designed to make the appliance easy and safe to use. Always check the panstand grids are properly positioned before using the appliance. Furthermore, always check the protective rubber feet are all present and correctly positioned.

Grid for small pots or pans (Fig. 3)

This is placed on top of the auxiliary burner grid (the smallest one) when pots or pans of reduced diameter are used, to avoid unbalancing.

INSTALLATION INSTRUCTIONS

Important!

These instructions are intended for qualified technicians.

The appliance must be installed correctly, in compliance with current laws.

Before carrying out any operation on the appliance, it must be disconnected from the electricity supply.

Fitting the appliance in the worktop

The cooktop may be fitted into any worktop, as long as it is heat resistant (minimum temperature of 90°C).

The dimensions of the hole to be made in the worktop and the minimum distances between rear and side walls and those above the appliance are shown in figures 5 and 6.

Bear in mind that:

☞ If the cooktop is installed without an oven below it, a separator panel must be placed between the bottom of the cooktop and the housing below it, at a minimum distance of 10 mm.

If the cooktop is installed over an oven, place a separator panel at a minimum distance of 15 mm and follow the oven manufacturer's instructions, ensuring nonetheless sufficient aeration as specified in fig. 7.

In any event, the electrical connection of the two appliances must be carried out separately, both for electrical purposes and to facilitate removal.

It is advisable to use an oven equipped with an internal forced cooling system.

Fixing the cooktop

To fix the cooktop in the housing, proceed as follows:

☞ Position the special gasket supplied along the outer perimeter of the worktop, following the diagram shown in fig. 5, so that the ends of the gasket meet exactly without overlapping.

☞ Position the cooktop into the worktop, taking care to ensure it is placed exactly in the centre.

☞ Fix the cooktop to the worktop using the special brackets supplied (A), as shown in fig. 8. Correct installation of the sealing gasket (C) ensures complete protection against infiltration of liquids.

☞ The brackets must be fixed in the holes mark to you from the fig. 8

Installation area and removal of combustion fumes

☞ **The appliance must be installed and operated in suitable areas, and in compliance with current laws.**

The installation technician must observe current laws governing ventilation and removal of combustion fumes.

The air required for combustion is 2m³/h per kW of power (gas) installed.

Installation area

In the room where the gas appliance is installed, there must be a sufficient natural air supply to allow the gas to burn correctly.

The natural flow of air must take place through an opening made on an outside wall of the room and having a working section of at least 100 cm² (A). In the case of appliances without safety valves, this opening must have a minimum working section of 200 cm² (fig. 10).

This opening must be made in such a way that it cannot be obstructed from inside or outside. It should be positioned near floor level, preferably on the side opposite the fume exhaust devices.

If it is not possible to make the necessary openings, the air can be supplied from an adjacent, suitably ventilated room, as long as this room is not a bedroom, a dangerous area or a low-pressure area.

Removal of combustion fumes

Combustion fumes produced by gas appliances must be removed by means of a hood connected directly either to an exhaust duct or to the outside (fig. 10).

If a hood cannot be installed, an electric extractor fan must be fitted to the outside wall or the window. This electric extractor fan must have a sufficient capacity to guarantee a change of air of the kitchen of at least 3-5 times its volume.

Components shown in fig. 10

A: Opening for air supply

C: Hood for exhaust removal of combustion fumes

E: Electric extractor fan for removal of combustion fumes

Connection to gas supply

☞ **Before installation, make sure the type and pressure of the local gas supply are compatible with the cooktop settings. To do this, check the data on the appliance data plate on the cooktop as well as on this handbook.**

The gas connection must be carried out by a qualified technician in compliance with local current regulations.

If using metal hoses, ensure these do not come into contact with any movable parts and are at no point crushed.

Carry out the connection in such a way as does not cause any stress whatsoever on the appliance.

The gas supply connector is threaded G1/2". (fig. 14)

For ISO R7 connections, the gasket is not required.

For ISO R228 connections, the washer supplied must be fitted.

☞ **After connection operations, check for leaks using a soapy solution.**

Electrical connection

Before connecting the appliance to the electricity supply, check that the voltage corresponds to that on the data plate and that the power supply cable is suitable for the appliance load also stated on the data plate.

If the appliance is connected directly to the mains, fit an all-pole disconnect switch with minimum contact gap of 3 mm, adequate for the appliance load and complying to regulations.

- ☞ **Do not use reducers, adapters or switches for connection to the mains, since these could overheat and cause burns.**
- ☞ **Regulations require that the appliance is earthed. The manufacturer declines all liability resulting from failure to observe this regulation. (fig.12)**

If the power cable must be replaced, use a cable having identical characteristics to the original supplied by the manufacturer, suitable for the load and temperature (**type T90°C**). This is available from After-sales service. Furthermore, the end of the power cable to be connected to the appliance must have the Yellow-Green earth conductor 20 mm longer than the other conductors. Refer to the table below for the size of the power cable

Type of cooktop	Size
Only gas burners	3X0.50 mm ² H05 V2V2-F

CLEANING

To maintain the cooktop in optimum condition, clean it regularly after each use, allowing it to cool before cleaning.

Never remove the knobs from their seats

Enamelled parts

All enamelled parts should be cleaned with a sponge and soapy water or specific detergents. Never use abrasive cleaning products. Dry thoroughly after cleaning.

Stainless steel top

The stainless steel top should be cleaned with a damp cloth and proprietary detergents commercially available.

After rinsing, dry preferably with a chamois leather.

Grids

The enamelled panstand grids of the cooktop are dishwasher safe.

Stainless steel panstand grids may take on a bluish tinge on parts around the burners as a result of the high temperatures. This effect can be reduced by using commercially available steel wool pads.

Burners

The burners, comprising two parts, can be removed and cleaned using suitable detergents. After cleaning, dry the burners thoroughly and reposition them carefully in their seats.

In models with electric ignition, always check that the electrode "E" (fig. 13) is clean.

In models with safety device, clean the probe "T" (fig. 13) in order to allow regular operation of the safety valve. Both the electrode and probe must be cleaned with care.

Upon completion of cleaning, replace the burners accurately in their seats.(see fig.13)

To prevent damaging the electric ignition, avoid using it when the burners are not in place.

MAINTENANCE

The appliances do not require any particular maintenance, nonetheless it is advisable to have them checked at least once every two years.

If the knobs become difficult to turn, or if there is a smell of gas, shut the gas supply tap and call After-sales service.

Faulty taps must be replaced along with their gasket.

AFTER-SALES SERVICE

Before calling in the After-Sales Service

If the hob fails to operate, we advise you to:

- Check that the plug is correctly inserted into the power socket.
- Check that the flow of gas is normal

If you are unable to find the cause of the problem; switch the appliance off, do not tamper with it and call in the After-Sales Service.

Category	II 2H 3+	Country	GB		
Tipo di gas/ Gas type / Gassoort / Gasart / Type de gaz / Τύπος αερίου / Tipo de gás / Gaz type / Vrsta gasa / Vrsta plina			G20		
Pressione gas / Gas pressure / Pression gaz / Gasdruck / Presion gas / Πίεση του αερίου / Pressão gás / Tlak gas			20 mbar		
Bruciatori-burners-bruleurs brenner-quemodores branders-Καυστήρες Queimadores-Plamenici bocas de gás-Gorilniki	Portata - power inputs - débit gas capacidad - vazão - debiet- vermogen Ικανότητα - Capacidade - gaszufuhr Opterečenje - Kapacitet - zmogljivost		Ø Iniettori injecteur - inyector injectors - sproeier gasdüse - mlaznica brizgalica - šobe		
		Max (kW)		Min (kW)	
	A	1,00		0,30	0,72
	SR	1,75		0,44	0,97
	R	3,00		0,75	1,15
Tipo di gas/ Gas type / Gassoort / Gasart / Type de gaz / Τύπος αερίου / Tipo de gás / Gaz type / Vrsta gasa / Vrsta plina			G30 G31		
Pressione gas / Gas pressure / Pression gaz / Gasdruck / Presion gas / Πίεση του αερίου / Pressão gás / Tlak gas			28-30/37 mbar		
Bruciatori-burners-bruleurs brenner-quemodores branders-Καυστήρες Queimadores-Plamenici bocas de gás-Gorilniki	Portata - power inputs - débit gas capacidad - vazão - debiet- vermogen Ικανότητα - Capacidade - gaszufuhr Opterečenje - Kapacitet - zmogljivost		Ø Iniettori injecteur - inyector injectors - sproeier gasdüse - mlaznica brizgalica - šobe		
		Max (kW)		Min (kW)	
	A	1,00		0,37	0,50
	SR	1,75		0,50	0,65
	R	3,00		0,90	0,85

Fig.1

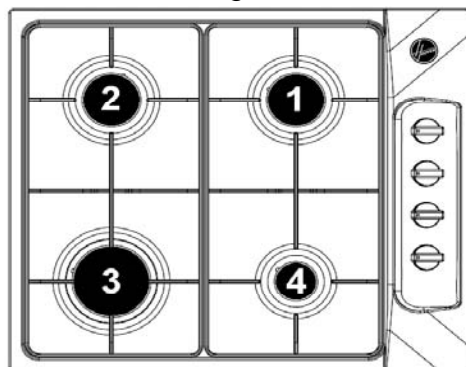


Fig.3

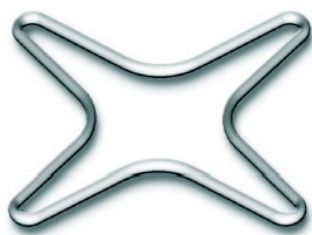


Fig.4

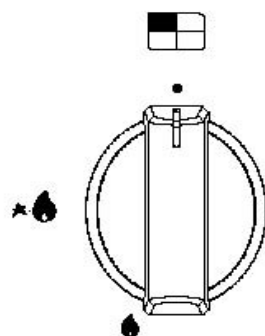


Fig.5

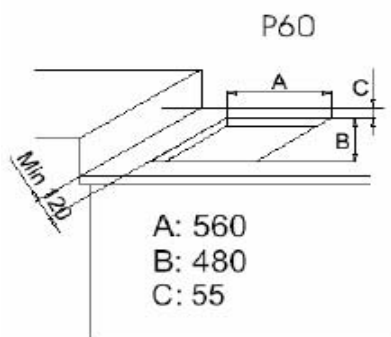


Fig.6

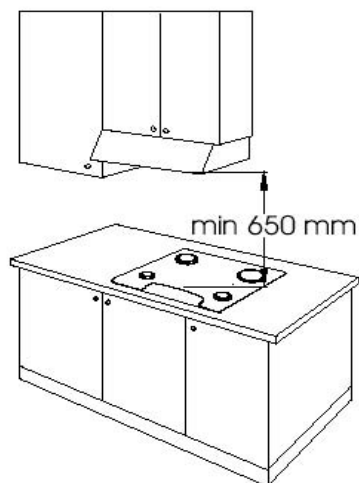


Fig.7

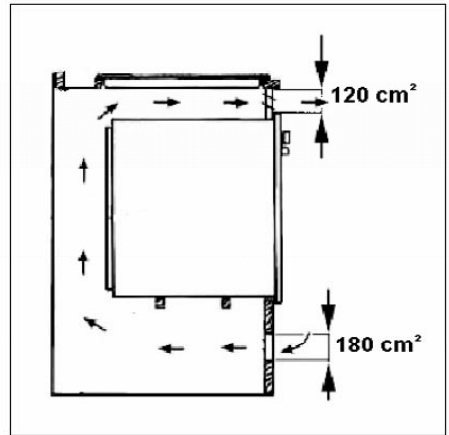
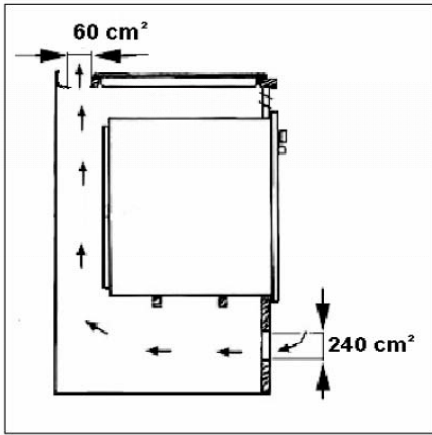


Fig.8

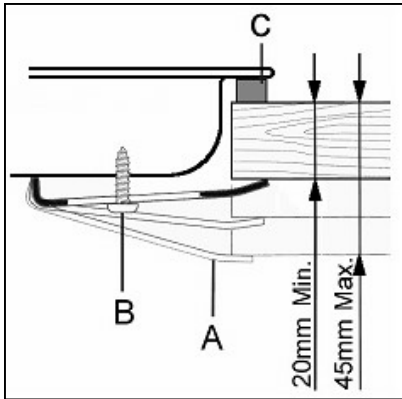


Fig.9

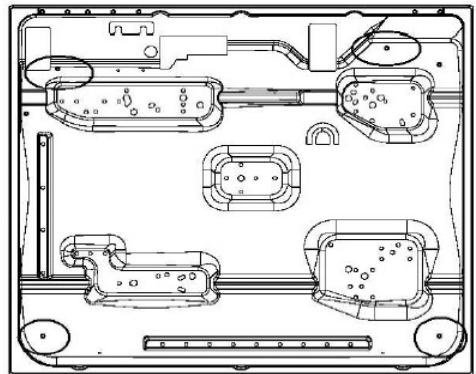


Fig.10

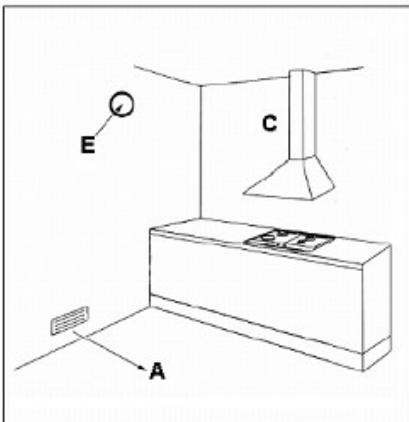


Fig.11

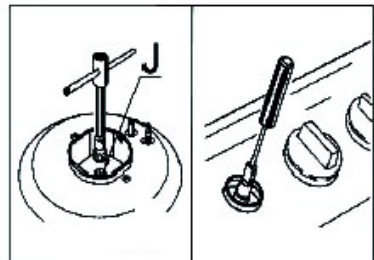


Fig.12

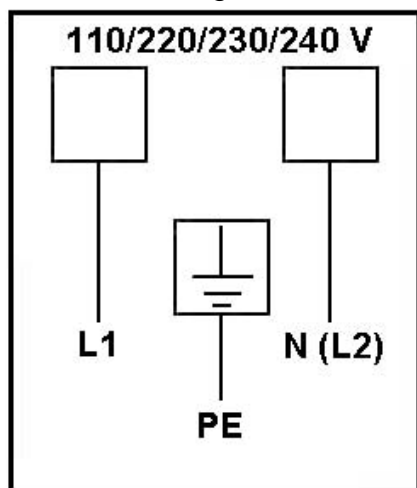


Fig.13

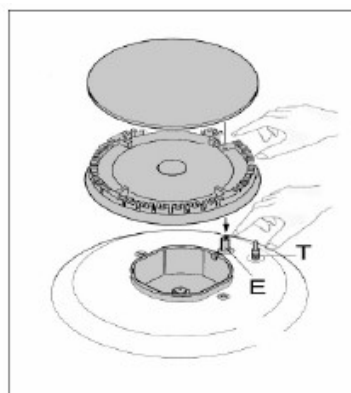
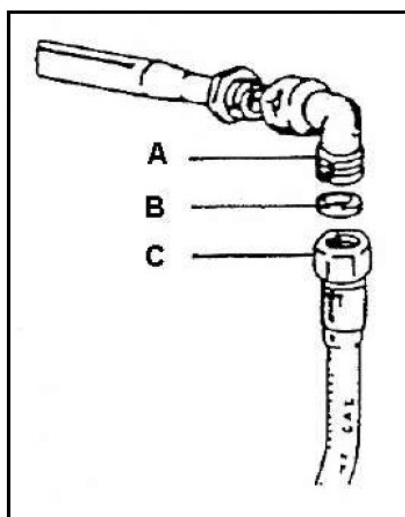



Fig.14




- A: Raccord
B: Joint
C: Tuyau rigide ou flexible


D In Übereinstimmung mit den Anforderungen der Europäischen Richtlinie 2002/96/EG über Elektro- und Elektronik-Altgeräte (WEEE) ist vorliegendes Gerät mit einer Markierung versehen. Sie leisten einen positiven Beitrag für den Schutz der Umwelt und die Gesundheit des Menschen, wenn Sie dieses Gerät einer gesonderten Abfallsammlung zuführen. Im unsortierten Siedlungsmüll könnte ein solches Gerät durch unsachgemäße Entsorgung negative Konsequenzen nach sich ziehen. Auf dem Produkt oder der beiliegenden Produktdokumentation ist

folgendes Symbol  einer durchgestrichenen Abfalltonne abgebildet. Es weist darauf hin, dass eine Entsorgung im normalen Haushaltsabfall nicht zulässig ist. Entsorgen Sie dieses Produkt im Recyclinghof mit einer getrennten Sammlung für Elektro- und Elektronikgeräte. Die Entsorgung muss gemäß den örtlichen Bestimmungen zur Abfallbeseitigung erfolgen. Bitte wenden Sie sich an die zuständigen Behörden Ihrer Gemeindeverwaltung, an den lokalen Recyclinghof für Haushaltsmüll oder an den Händler, bei dem Sie dieses Gerät erworben haben, um weitere Informationen über Behandlung, Verwertung und Wiederverwendung dieses Produkts zu erhalten.

GB This appliance is marked according to the European directive 2002/96/EC on Waste Electrical and Electronic Equipment (WEEE). By ensuring this product is disposed of correctly, you will help prevent potential negative consequences for the environment and human health, which could otherwise be caused by inappropriate waste handling of this product.

The symbol  on the product, or on the documents accompanying the product, indicates that this appliance may not be treated as household waste. Instead it shall be handed over to the applicable collection point for the recycling of electrical and electronic equipment. Disposal must be carried out in accordance with local environmental regulations for waste disposal. For more detailed information about treatment, recovery and recycling of this product, please contact your local city office, your household waste disposal service or the shop where you purchased the product.

F Cet appareil porte le symbole du recyclage conformément à la Directive Européenne 2002/96/CE concernant les Déchets d'Équipements Électriques et Électroniques (DEEE ou WEEE). En procédant correctement à la mise au rebut de cet appareil, vous contribuerez à empêcher toute conséquence nuisible pour l'environnement et la santé de l'homme.

Le symbole  présent sur l'appareil ou sur la documentation qui l'accompagne indique que ce produit ne peut en aucun cas être traité comme déchet ménager. Il doit par conséquent être remis à un centre de collecte des déchets chargé du recyclage des équipements électriques et électroniques.


Pour la mise au rebut, respectez les normes relatives à l'élimination des déchets en vigueur dans le pays d'installation. Pour obtenir de plus amples détails au sujet du traitement, de la récupération et du recyclage de cet appareil, veuillez vous adresser au bureau compétent de votre commune, à la société de collecte des déchets ou directement à votre revendeur.

NL Dit apparaat is voorzien van het merkteken volgens de Europese richtlijn 2002/96/EG inzake Afgedankte elektrische en elektronische apparaten (AEEA).


Door ervoor te zorgen dat dit product op de juiste manier als afval wordt verwerkt, helpt u mogelijk negatieve consequenties voor het milieu en de menselijke gezondheid te voorkomen die anders zouden kunnen worden veroorzaakt door onjuiste verwerking van dit product als afval.

Het symbool  op het product of op de bijbehorende documentatie geeft aan dat dit product niet als huishoudelijk afval mag worden behandeld. In plaats daarvan moet het worden afgegeven bij een verzamelpunt voor recycling van elektrische en elektronische apparaten. Afhandeling moet worden uitgevoerd in overeenstemming met de plaatselijke milieuvoorschriften voor afvalverwerking. Voor nadere informatie over de behandeling, terugwinning en recycling van dit product wordt u verzocht contact op te nemen met het stadskantoor in uw woonplaats, uw afvalophalendienst of de winkel waar u het product heeft aangeschaft.


E Este aparato lleva el marcado CE en conformidad con la Directiva 2002/96/EC del Parlamento Europeo y del Consejo sobre residuos de aparatos eléctricos y electrónicos (RAEE). La correcta eliminación de este producto evita consecuencias negativas para el medioambiente y la salud.

El símbolo  en el producto o en los documentos que se incluyen con el producto, indica que no se puede tratar como residuo doméstico. Es necesario entregarlo en un punto de recogida para reciclar aparatos eléctricos y electrónicos. Deséchelo con arreglo a las normas medioambientales para eliminación de residuos. Para obtener información más detallada sobre el tratamiento, recuperación y reciclaje de este producto, póngase en contacto con el ayuntamiento, con el servicio de eliminación de residuos urbanos o la tienda donde adquirió el producto.


P Este aparelho está classificado de acordo com a Directiva Europeia 2002/96/EC sobre Resíduos de equipamento eléctrico e electrónico (REEE). Ao garantir a eliminação adequada deste produto, estará a ajudar a evitar potenciais consequências negativas para o ambiente e para a saúde pública, que poderiam derivar de um manuseamento de desperdícios inadequado deste produto.

O símbolo  no produto, ou nos documentos que acompanham o produto, indica que este aparelho não pode receber um tratamento semelhante ao de um desperdício doméstico. Pelo contrário, deverá ser depositado no respectivo centro de recolha para a reciclagem de equipamento eléctrico e electrónico. A eliminação deverá ser efectuada em conformidade com as normas ambientais locais para a eliminação de desperdícios. Para obter informações mais detalhadas sobre o tratamento, a recuperação e a reciclagem deste produto, contacte o Departamento na sua localidade, o seu serviço de eliminação de desperdícios domésticos ou a loja onde adquiriu o produto.


I Questo apparecchio è contrassegnato in conformità alla Direttiva Europea 2002/96/EC, Waste Electrical and Electronic Equipment (WEEE). Assicurandosi che questo prodotto sia smaltito in modo corretto, l'utente contribuisce a prevenire le potenziali conseguenze negative per l'ambiente e la salute.

Il simbolo  sul prodotto o sulla documentazione di accompagnamento indica che questo prodotto non deve essere trattato come rifiuto domestico ma deve essere consegnato presso l'idoneo punto di raccolta per il riciclaggio di apparecchiature elettriche ed elettroniche. Disfarsene seguendo le normative locali per lo smaltimento dei rifiuti. Per ulteriori informazioni sul trattamento, recupero e riciclaggio di questo prodotto, contattare l'idoneo ufficio locale, il servizio di raccolta dei rifiuti domestici o il negozio presso il quale il prodotto è stato acquistato.

GR Αυτή η συσκευή φέρει σήμανση σύμφωνα με την Ευρωπαϊκή οδηγία 2002/96/EE σχετικά με Απορριπτόμενα Ηλεκτρικά και Ηλεκτρονικά εξαρτήματα (WEEE). Εξασφαλίζοντας ότι το προϊόν αυτό απορριπτεται ουσιά, θα βοηθήσετε στην πρόληψη πιθανών αρνητικών επιπτώσεων για το περιβάλλον και την ανθρώπινη υγεία, οι οποίες θα μπορούσαν να δημιουργηθούν από τον ακατάλληλο χειρισμό αυτού του προϊόντος ως απορρίμμα.


Το σύμβολο  πάνω στο προϊόν, ή στα έγγραφα που συνοδεύουν το προϊόν, υποδεικνύει ότι αυτή η συσκευή δεν μπορεί να θεωρηθεί οικιακό απόρριμμα. Αντί για αυτό θα πρέπει να παραδοθεί στο κατάλληλο σημείο περισυλλογής για την ανακύκλωση των ηλεκτρικών και ηλεκτρονικών εξαρτημάτων. Διαλύστε το προϊόντας την τοπική νομοθεσία για τη διάθεση των απορριμμάτων. Για πιο λεπτομερείς πληροφορίες σχετικά με την επεξεργασία, την περισυλλογή και την ανακύκλωση αυτού του προϊόντος, παρακαλούμε επικοινωνήστε με το αρμόδιο γραφείο της τοπικής σας αυτοδιοίκησης, την τοπική σας υπηρεσία αποκομιδής οικιακών απορριμμάτων ή το κατάστημα όπου αγοράσατε αυτό το προϊόν.


S Denna produkt är märkt enligt EG-direktiv 2002/96/EEC beträffande elektrisk och elektronisk avfall (Waste Electrical and Electronic Equipment, WEEE). Genom att säkerställa en korrekt kassering av denna produkt bidrar du till att förhindra potentiella, negativa konsekvenser för vår miljö och vår hälsa, som annars kan bli följden om produkten inte hanteras på rätt sätt.

Symbolen  på produkten, eller i medföljande dokumentation, indikerar att denna produkt inte får behandlas som vanligt hushållsavfall. Den skall i stället lämnas in på en lämplig uppsamlingsplats för återvinning av elektrisk och elektronisk utrustning. Produkten måste kasseras enligt lokala miljöbestämmelser för avfallshantering. För mer information om hantering, återvinning och återanvändning av denna produkt, var god kontakta de lokala myndigheterna, ortens sophanteringsstjänst eller butiken där produkten inhandlades.

N Dette apparatet er mærket i samsvar med EU-direktiv 2002/96/EC om afhending af elektrisk og elektronisk udstyr (Waste Electrical and Electronic Equipment - WEEE). Forsikre dig om at dette produkt blir avhendet på korrekt vis, slik at det ikke kan utgjøre noen helse- eller miljørisiko.


SK Tento spotřebič je označený v súlade s Európskou smernicou 2002/96/ES o likvidácii elektrických a elektronických zariadení (WEEE). Zabezpečenie, že tento výrobok bude zlikvidovaný správnym spôsobom, pomôže predchádzať potenciálnym negatívnym dopadom na životné prostredie a ľudské zdravie, ktoré by sa v inom prípade mohli vyskytnúť pri nevhodnom zaobchádzaní pri likvidácii tohto výrobku.

Symbol  na výrobku alebo na sprievodných dokumentoch znamená, že s týmto výrobkom sa nesmie zaobchádzať ako s domovým odpadom. Naopak, treba ho odovzdať v zbernom stredisku na recykláciu elektrických alebo elektronických zariadení. Likvidácia musí byť vykonaná v súlade s predpismi na ochranu životného prostredia pre likvidáciu odpadu. Podrobnejšie informácie o zaobchádzaní, regenerácii a recyklácii tohto výrobku si vyžiadajte na Vašom miestnom úrade, v zberných surovinách alebo v obchode, kde ste výrobok kúpili.


H A készüléknek található jelzés megjelöli az elektromos és elektronikus berendezések hulladékáiról szóló 2002/96/EK európai irányelvben (WEEE) foglalt előírásoknak. A hulladékká vált termék szabályszerű elhelyezésével Ön segít elkerülni a környezetet és az emberi egészséggel kapcsolatos azon esetleges negatív következményeket, amelyeket a termék nem megfelelő hulladékkezelése egyébként okozhatna. A terméken vagy a termékhez mellékelte dokumentumokon feltüntetett  jelzés arra utal, hogy ez a termék nem kezelhető háztartási hulladékként. Ehelyett a terméket a villamos és elektronikus berendezések újrahasznosítását végző telephelyek valamelyikén kell leadni.

Kisebítézőkéső a hulladékkéltávolításra vonatkozó helyi környezetvédelmi előírások szerint kell eljárni. A termék kezelésével, hasznosításával és újrahasznosításával kapcsolatos bővebb tájékoztatásért forduljon a lakóhelye szerinti polgármesteri hivatalhoz, a háztartási hulladékok kezelését végző társasághoz vagy ahhoz a bolthoz, ahol a terméket vásárolta.


RUS Данное изделие промаркировано в соответствии с Европейской директивой 2002/96/EC по утилизации электрического и электронного оборудования (WEEE). Обеспечив правильную утилизацию данного изделия, Вы можете предотвратить потенциальные негативные последствия для окружающей среды и здоровья человека, которые могли бы иметь место в противном случае.


Символ  на самом изделии или сопроводительной документации указывает, что при утилизации данного изделия с ним нельзя обращаться как с обычными бытовыми отходами. Вместо этого, его следует сдавать в соответствующий пункт приема электрического и электронного оборудования для последующей утилизации. Сдача на слом должна производиться в соответствии с местными правилами по утилизации отходов. За более подробной информацией о правилах обращения с такими изделиями, их утилизации и переработки обращайтесь в местные органы власти, в службу по утилизации отходов или в магазин, в котором Вы приобрели данное изделие.

BG Този уред е маркиран в съответствие с Европейска директива 2002/96/EO "Електрическо и електронно оборудване за отпадъци" (WEEE). Като се погрижите това изделие да бъде изхвърлено по правилен начин, вие ще помогнете за предотвратяване на възможни негативни последици за околната среда и здравето на хората, което в противен случай може да бъде предизвикано от неправилно изхвърляне на това изделие.


Символът  върху изделието или върху документите, приложено към изделието, показва, че това изделие не бива да се третира като битови отпадъци. Вместо това, то трябва да се предава в специализиран пункт за рециклиране на електрическо и електронно оборудване. При изхвърлянето му спазвайте местните норми за изхвърляне на отпадъци. За по-подробна информация за третирането, възстановяването и рециклирането на това изделие се обърнете към вашата местна градска управа, към вашата служба за изхвърляне на битови отпадъци или към магазина, откъдето сте закупили изделието.

RO Acest aparat este marcat în conformitate cu Directiva Europeană 2002/96/CE referitoare la Desculearea de Echipament Electric și Electronic (WEEE). Asigurându-vă că acest produs este eliminat în mod corect, contribuiți la prevenirea potențialelor consecințe negative asupra mediului înconjurător și sănătății persoanelor, consecințe care ar putea fi provocate de aruncarea necorespunzătoare la gunoi a acestui produs.


Символ  de pe produs, sau de pe documente care însoțesc produsul, indică faptul că acesta nu poate fi aruncat împreună cu deșeurile menajere. Trebuie predat la punctul de colectare corespunzător, pentru reciclarea echipamentului electric și electronic. Aruncarea la gunoi a aparatului trebuie făcută în conformitate cu normele locale pentru eliminarea deșeurilor. Pentru informații mai detaliate privind eliminarea, valorificarea și reciclarea acestui produs, vă rugăm să contactați administrația locală, serviciul de eliminare a deșeurilor menajere sau magazinul de unde ați cumpărat produsul.

Symbol  på produktet eller på dokumentene som følger med det, viser at dette produktet ikke må behandles som husholdningsavfall. Lever det til et autorisert mottak for resirkulering av elektrisk og elektronisk utstyr. Avhending må skje iht. de lokale renovasjonsforskriftene. For nærmere informasjon om håndtering, kassering og resirkulering av dette produktet, kontakt kommunen, renovasjonsvesenet eller forretningen der du anskaffet det.


DK Dette produkt er mærket i henhold til EU-direktiv 2002/96/EF om Kasseret elektrisk og elektronisk udstyr (WEEE). Ved at sikre, at dette produkt bliver skrotet korrekt, hjælper man med til at forhindre potentielle, negative konsekvenser for miljøet og folkesundheden, der kunne opstå gennem uhensigtsmæssig bortskaffelse af dette produkt.

Symbol  på produktet eller på dokumenterne, der ledsager produktet, angiver, at produktet ikke må bortskaffes sammen med husholdningsaffaldet. Det skal i stedet afleveres på en genbrugsstation for elektrisk og elektronisk udstyr. Det skal skrottes i henhold til gældende lokale miljøregler for bortskaffelse af affald. For yderligere oplysninger om håndtering, genvinding og genbrug af dette produkt bedes man kontakte de lokale myndigheder, renovationselskabet eller forretningen, hvor produktet er købt.


FIN Tämä laite on merkitty WEEE-direktiivin (Waste Electrical and Electronic Equipment) 2002/96/EC mukaisesti. Varmistamalla, että tuote poistetaan käytöstä asianmukaisesti, voidaan auttaa estämään sellaiset ympäristö- ja terveysvaimat, jotka saattaisivat aiheuttaa jäteiden erillisestä käsittelystä.

Symboli  tuotteesta tai sen dokumentaatiosta tarkoittaa, ettei laitetta saa hävittää kotitalousjätteen mukana. Sen sijaan tuote on toimitettava sähkö- ja elektronikkakomponenttien keräys- ja kierrätyspisteeseen. Laitteen käytöstäpoiston suhteen on noudatettava paikallisia jätehuoltomaarayksia. Lisätietoja tuotteen käsittelystä, talteenotosta ja kierrätyksestä saa kaupungin- tai kunnanvirastosta, paikallisesta jätehuoltoilikeestä tai liikkeestä, josta tuote ostettiin.

PL Niniejsze urządzenie posiada oznaczenia zgodnie z Dyrektywą Europejską 2002/96/EC w sprawie zużytego sprzętu elektrycznego i elektronicznego (WEEE). Zapewniając prawidłowe złomowanie niniejszego urządzenia przyczynia się Państwo do ograniczenia ryzyka wystąpienia negatywnego wpływu produktu na środowisko i zdrowie ludzi, które mogłyby zaistnieć w przypadku niewłaściwej utylizacji urządzenia.

Symbol  umieszczony na produkcie lub na dołączonych do niego dokumentach oznacza, że niniejszy produkt nie jest klasyfikowany jako odpad z gospodarstwa domowego. Urządzenie, w celu jego złomowania, należy zdać w odpowiednim punkcie utylizacji odpadów w celu recyklingu komponentów elektrycznych i elektronicznych. Urządzenie należy złomować zgodnie z lokalnymi przepisami dot. utylizacji odpadów. Dodatkowe informacje na temat utylizacji, złomowania i recyklingu opisywanego urządzenia można uzyskać w lokalnym urzędzie miasta, w miejskim przedsiębiorstwie utylizacji odpadów lub w sklepie, w którym produkt został zakupiony.

CZ Tento spotřebič je označený v souladu s evropskou směrnicí 2002/96/ES o likvidaci elektrického a elektronického zařízení (WEEE). Zajištěním správné likvidace tohoto výrobku pomůžete zabránit případným negativním důsledkům na životní prostředí a lidské zdraví, ke kterým by nevhodnou likvidací tohoto výrobku mohlo dojít.

Symbol  na výrobku nebo na dokumentech přiložených k výrobku udává, že tento spotřebič nepatří do domácího odpadu. Spotřebič je nutné odvézt do sběrného místa pro recyklaci elektrického a elektronického zařízení. Likvidace musí být provedena v souladu s místními předpisy o ochraně životního prostředí, které se týkají likvidace odpadu. Podrobnější informace o zpracování, rekuperaci a recyklaci tohoto výrobku zjistíte u příslušného místního úřadu, služby pro likvidaci domového odpadu nebo v obchodě, kde jste výrobek zakoupili.