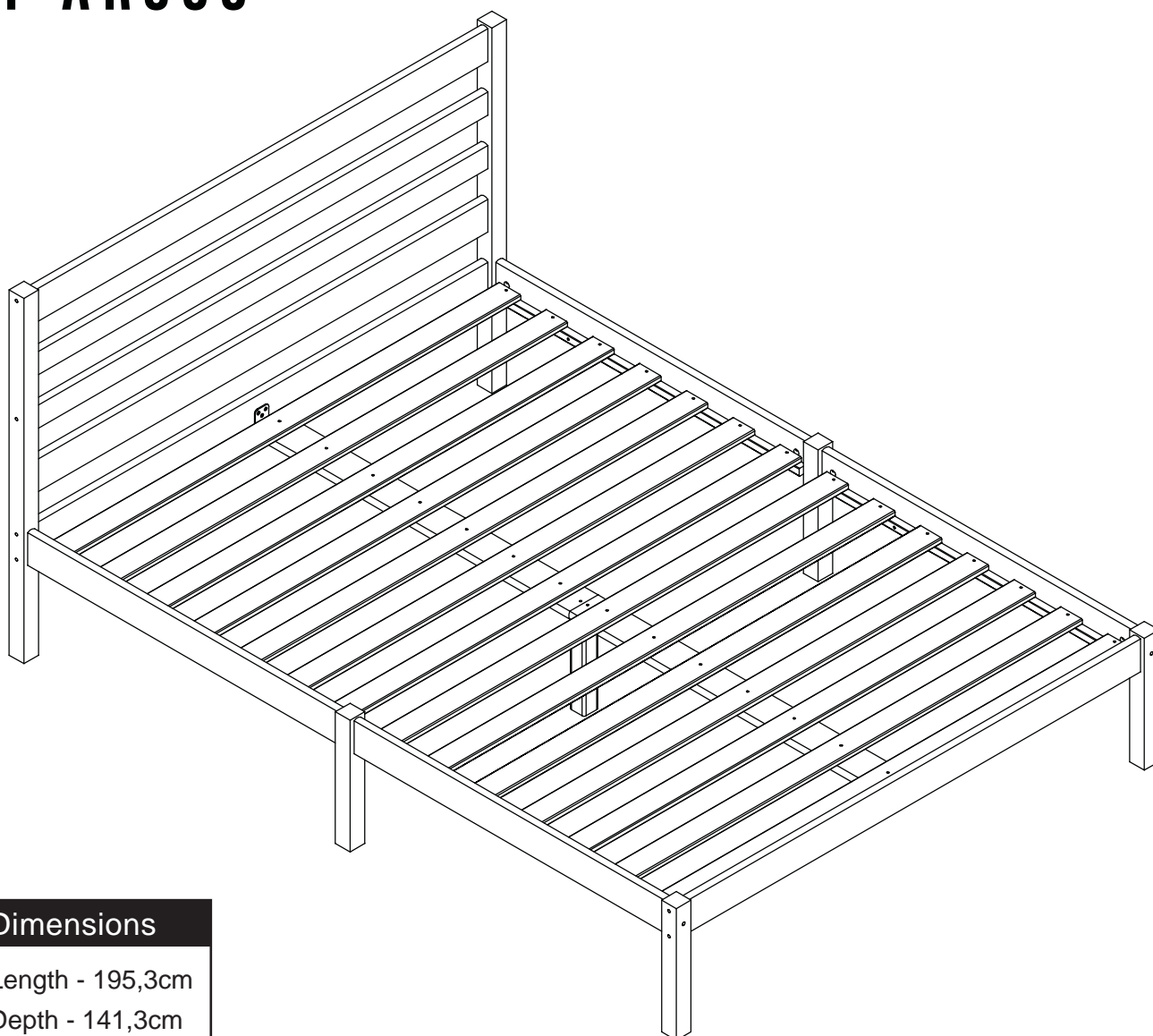


Doublebed White - 4Ft6

Assembly Instructions - Please keep for future reference

7287840

H O
M E
BY ARGOS



Dimensions

Length - 195,3cm

Depth - 141,3cm

Height - 92,6cm

Weight - 23,5kg

Important – Please read these instructions fully before starting assembly

If you need help or have damaged or missing parts, call the **Customer Helpline:**

0045 7668 8055 or e-mail: order@flexa.dk



Safety and Care Advice

Important – Please read these instructions fully before starting assembly

- Check you have all the components and tools listed on pages 2 and 3.
- Remove all fittings from the plastic bags and separate them into their groups.
- Keep children and animals away from the work area, small parts could choke if swallowed.
- Make sure you have enough space to layout the parts before starting.

- Do not stand or put weight on the product, this could cause damage.
- Assemble the item as close to its final position (in the same room) as possible.
- Assemble on a soft level surface to avoid damaging the unit or your floor.
- Parts of the assembly will be easier with 2 people.



- We do not recommend the use of power drill/drivers **for inserting screws**, as this could damage the unit. Only use hand screwdrivers.
- Dispose of all packaging carefully and responsibly.

Care and maintenance

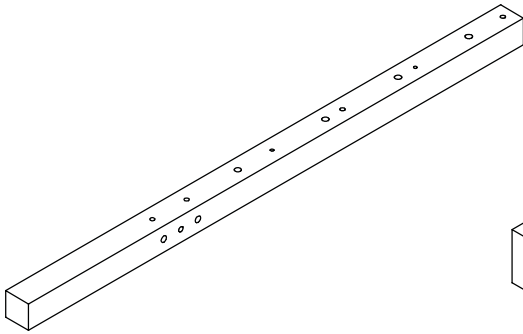
- Only clean using a damp cloth and mild detergent, do not use bleach or abrasive cleaners.
- From time to time check that there are no loose screws on this unit.
- This product should not be discarded with household waste. Take to your local authority waste disposal centre.

Note: if required the next page can be cut out and used as reference throughout the assembly. Keep this page with these instructions for future reference.

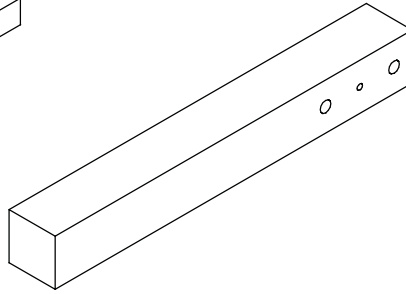
Components - Parts

If you have damaged or missing components, call the **Customer Helpline: 0045 7668 8055**

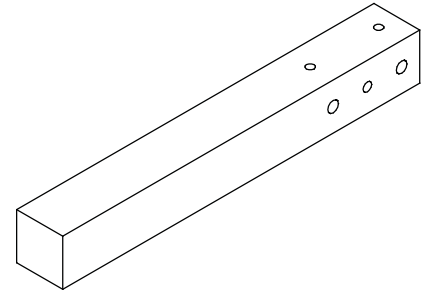
Please check you have all the parts listed below



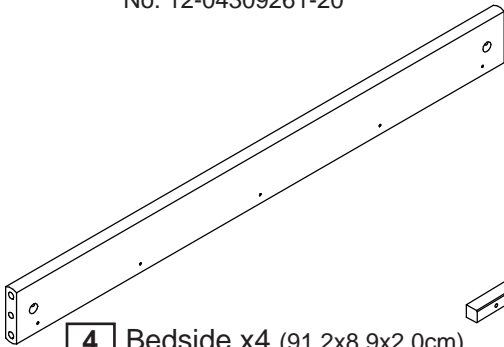
1 Leg x2 (92,6x4,3x4,3cm)
No. 12-04309261-20



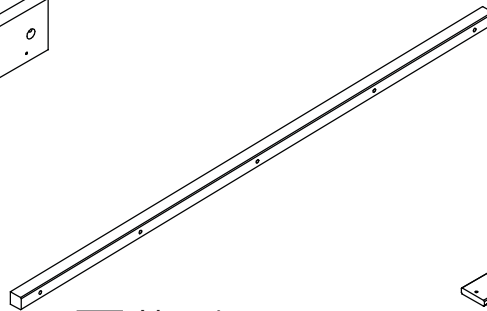
2 Leg x2 (33,4x4,3x4,3cm)
No. 12-04303342-20



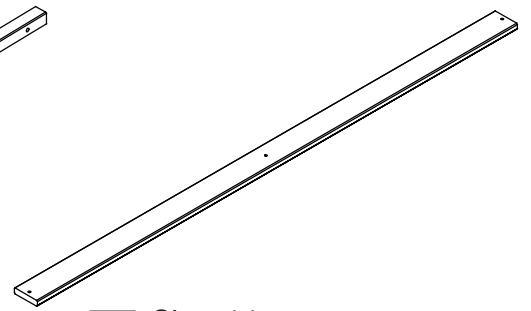
3 Leg x2 (33,4x4,3x4,3cm)
No. 12-04303341-20



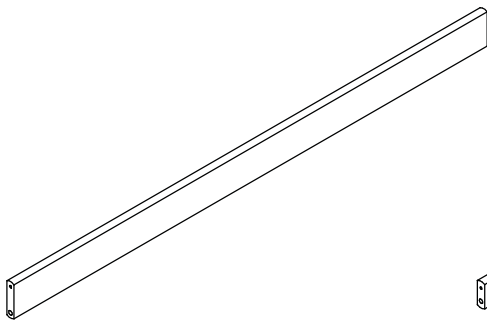
4 Bedside x4 (91,2x8,9x2,0cm)
No. 12-02009122-20



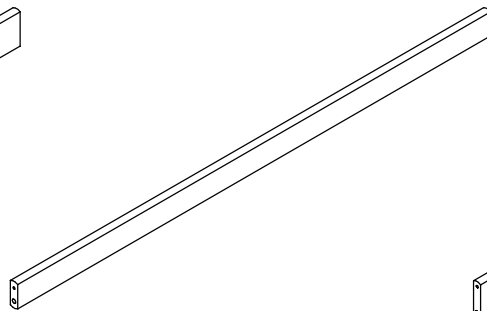
5 List x4 (90,4x2,0x2,0cm)
No. 12-02009041



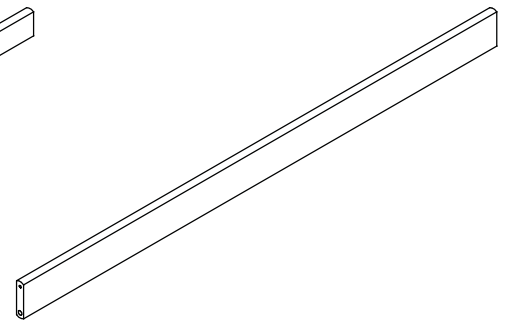
6 Slat x14 (134,7x6,5x1,5cm)
No. 12-01513471



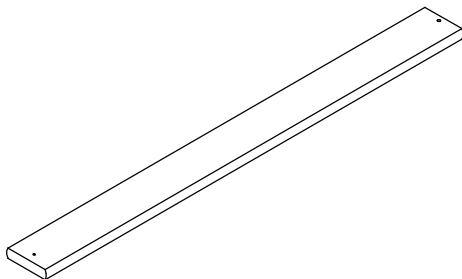
7 Endrail x2
(132,7x8,9x2,0cm)
No. 12-02013272-20



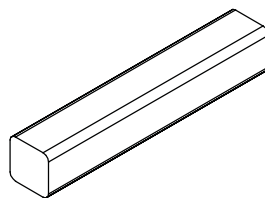
8 Endrail x2
(132,7x6,5x2,0cm)
No. 12-02013273-20



9 Endrail x2
(132,7x8,9x2,0cm)
No. 12-02013271-20



10 Midsupport x2
(93,6x8,9x2,0cm)
No. 12-02009361

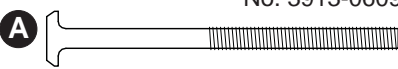

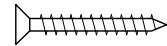



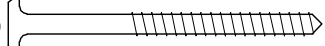

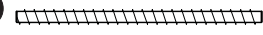
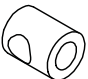


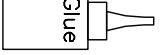
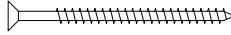




11 Leg x1
(24,7x4,3x4,3cm)
No. 12-04302471

Components - Fittings

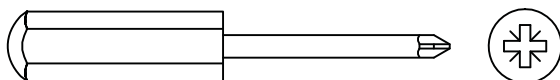
Please check you have all the fittings listed below

Note: The quantities below are the correct amount to complete the assembly. In some cases more fittings may be supplied than are required.

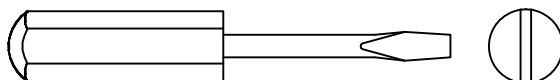
<p>A  No. 3913-06090 M6x90mm Connecting bolt x4</p>	<p>B  No. 3922-06013 M6 ø14x13mm Barrel nut x4</p>	<p>C  No. 3901-40030 4,0x30mm Chipboard screw x42</p>
<p>D  No. 3930-10045 10x45mm Dowel x24</p>	<p>E  No. 3930-05040 5x40mm Dowel x4</p>	<p>F  No. 3903-40035 4,0x35mm Chipboard screw x20</p>
<p>G  No. 3909-63090 6,3x90mm Assembly screw x12</p>	<p>H  No. 3917-08010 M8x10mm Grub screw x4</p>	<p>I  No. 3921-04065 M4x65mm Threaded pin x2</p>
<p>J  No. 3933-14016 Ø14x15,5mm Threaded bush x4</p>	<p>K  No. 3938-00010-2 Ø10 Cover cap White x4</p>	<p>L  No. 4020-001 M4/Ø8x38mm Connecting bolt x4</p>
<p>M  No. 4022-012 15 gram Glue tube x2</p>	<p>N  No. 3901-40060 4,0x60mm Chipboard screw x2</p>	<p>O  No. 3903-40020 4,0x20mm Chipboard screw x12</p>
<p>P  No. 4008-013 48x48x40mm Angle x2</p>	<p>Q  No. 3928-000083 M8/Ø30 Washer x2</p>	

Tools required

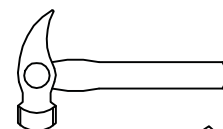
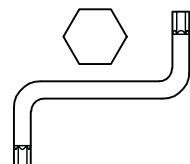
Phillips
screwdriver
(medium)



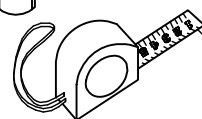
Flatblade
screwdriver
(medium)



Allen key
4mm incl.
No. 4033-004



Small
hammer



Ruler/tape
measure



Eye protection
(when using a
hammer or glue)

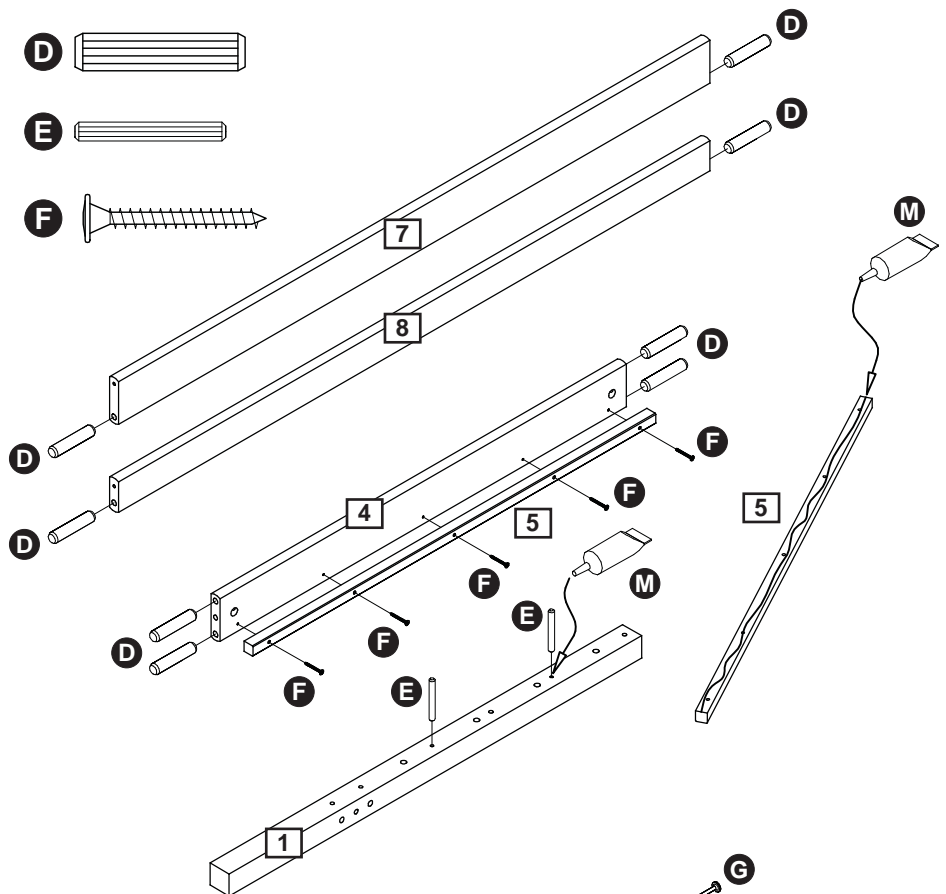
Assembly Instructions

Step 1

Insert the Ø10 dowels **D** into the holes in bed sides **4** and endrails **7** and **8**.

It may be necessary to tap the dowels in very gently with a small hammer.

Apply glue **M** to the list **5** and attach it to the bedside **4** using screws **F**. Repeat for all four bed sides.



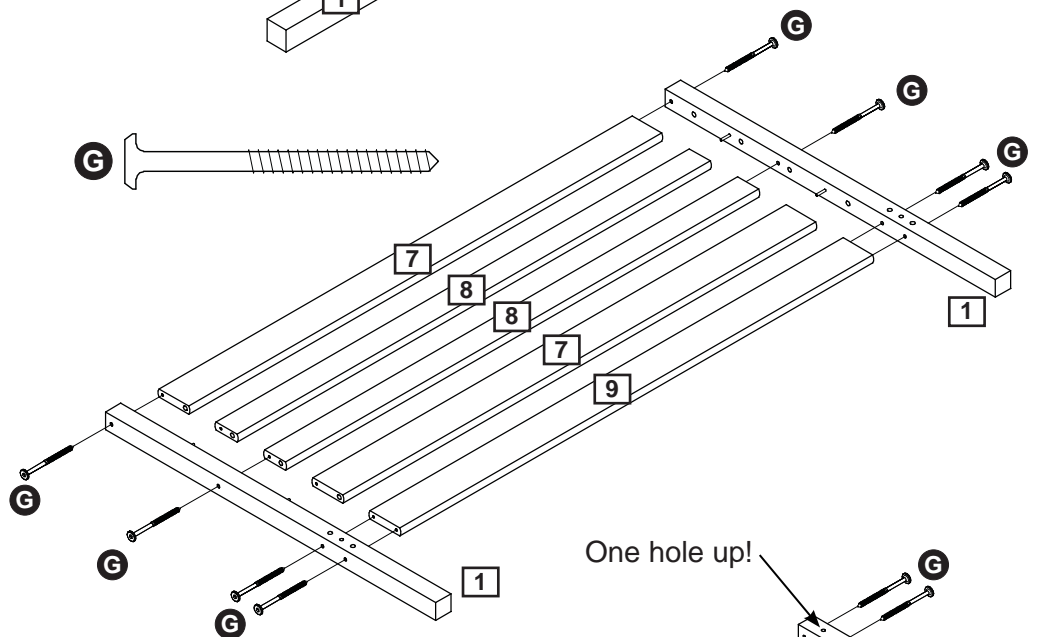
Step 2

Apply a small amount of glue **M** into the 2 small holes in legs **1** before the small dowels **E** are gently hammered in.

Step 3

Attach endrails **7**, **8** and **9** between legs **1** using screws **G**.

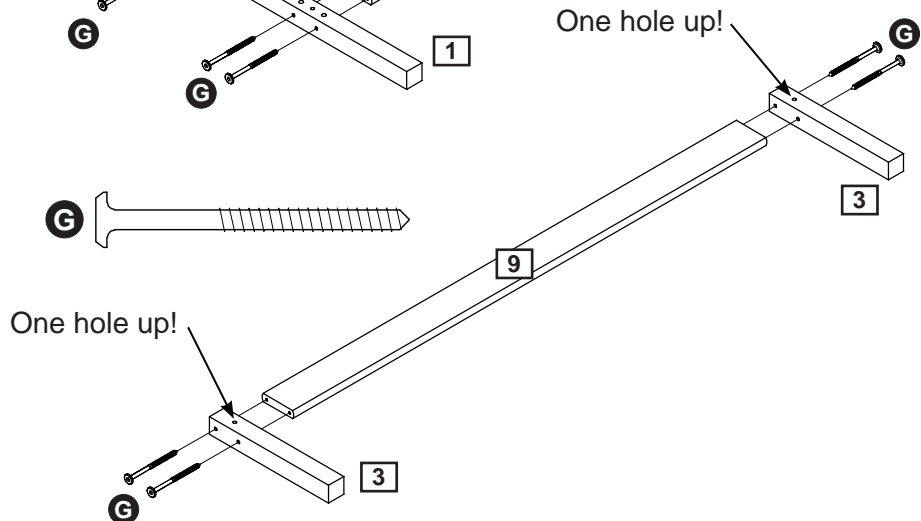
Don't overtighten.



Step 4

Attach endrail **9** between legs **3** using screws **G**.

Don't overtighten.

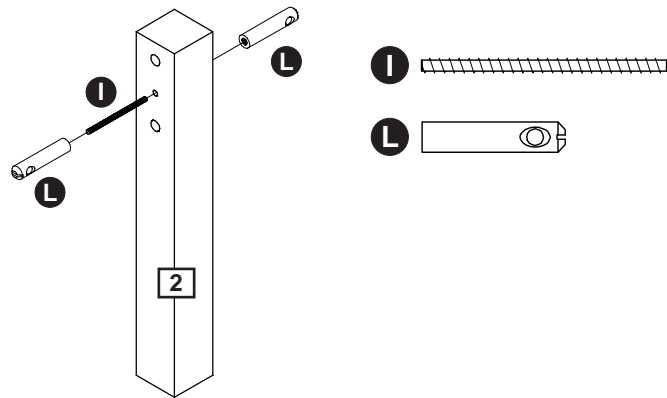


Assembly Instructions

Step 5

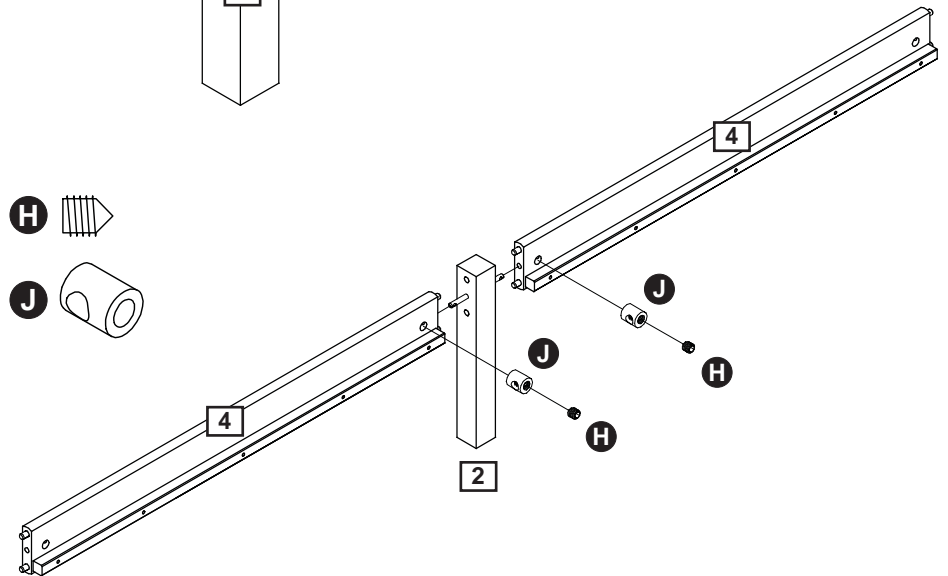
Push the threaded pin **I** through the middle hole in leg **2**. Attach connecting bolts **L** to the pin.

Note the position of the holes in connecting bolt **L.**



Step 6

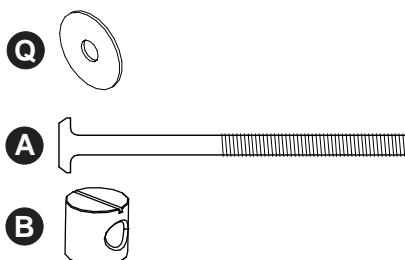
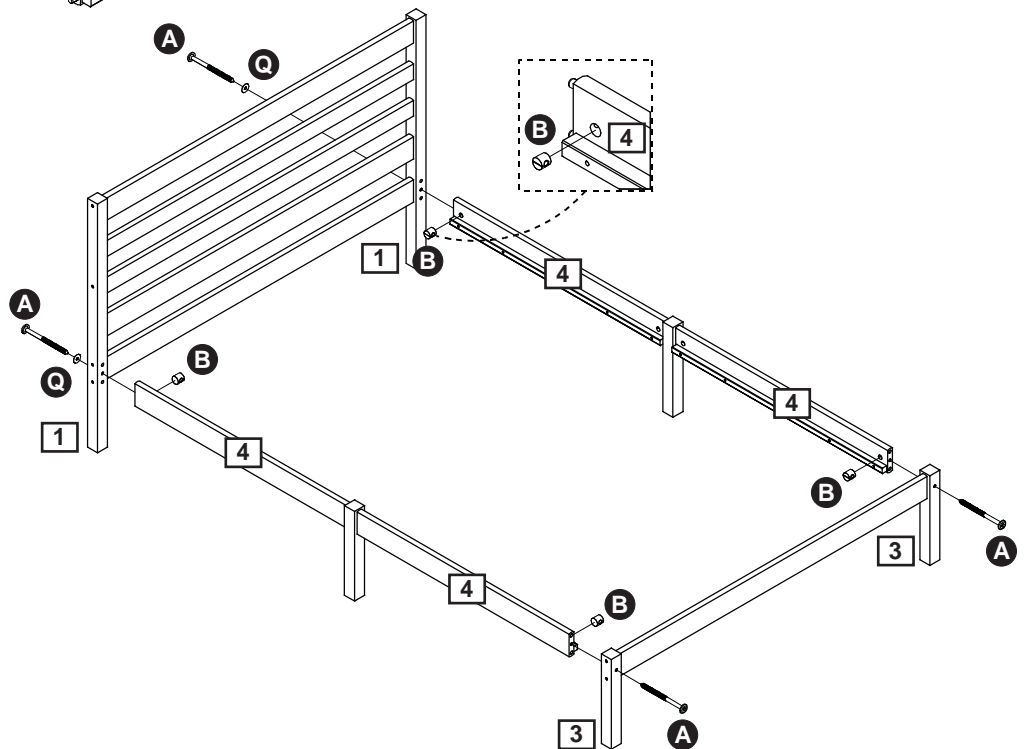
Insert threaded bushes **J** into the holes in the bed sides **4**. Connect the bed sides **4** to the leg **2**. Fasten the bed sides by tightening the grub screws **H** in the threaded bushes **J**.



Step 7

Attach the assembled bed sides by placing the dowels into the holes in legs **1** and **3**.

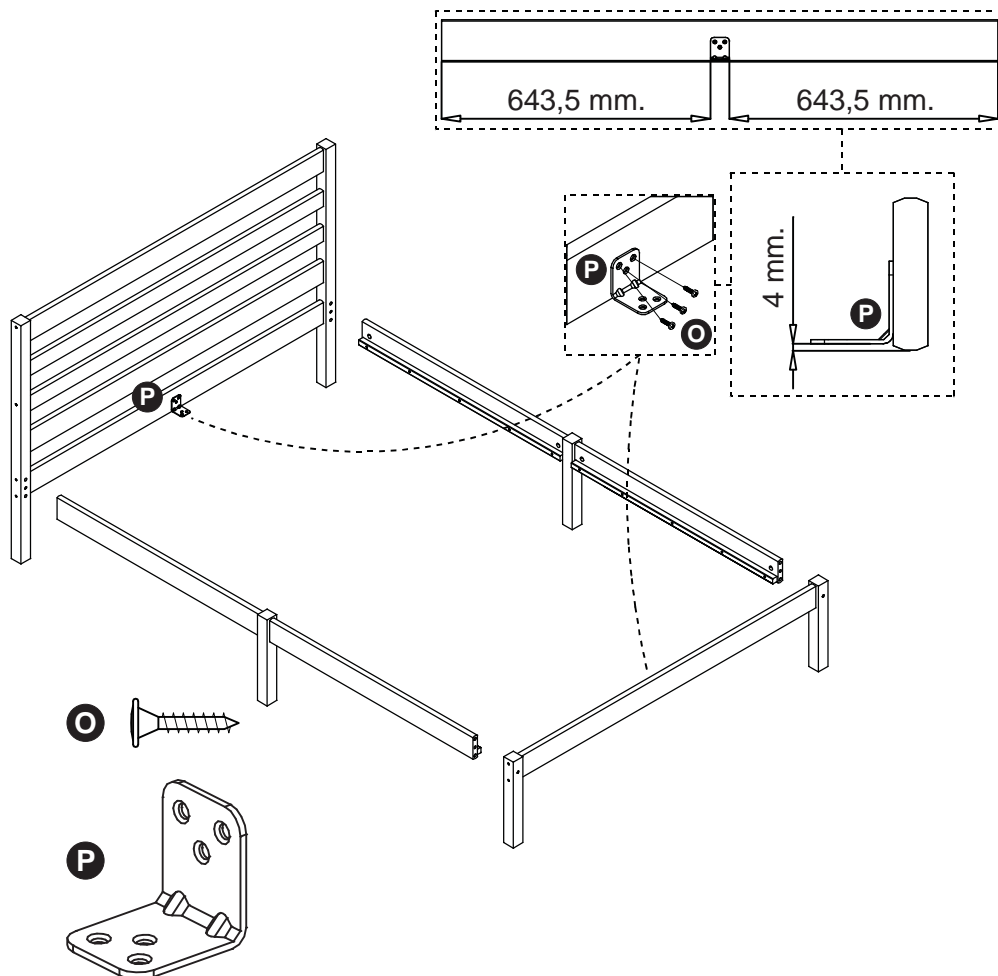
Push barrel nuts **B** into the holes in bed sides **4**. Put the washer **N** on the 2 connecting bolts **A** which are used to attach the headboard. Push connecting bolt **A** through legs **1** and **3** to meet the barrel nuts **B** and fasten with the allen key.



Assembly Instructions

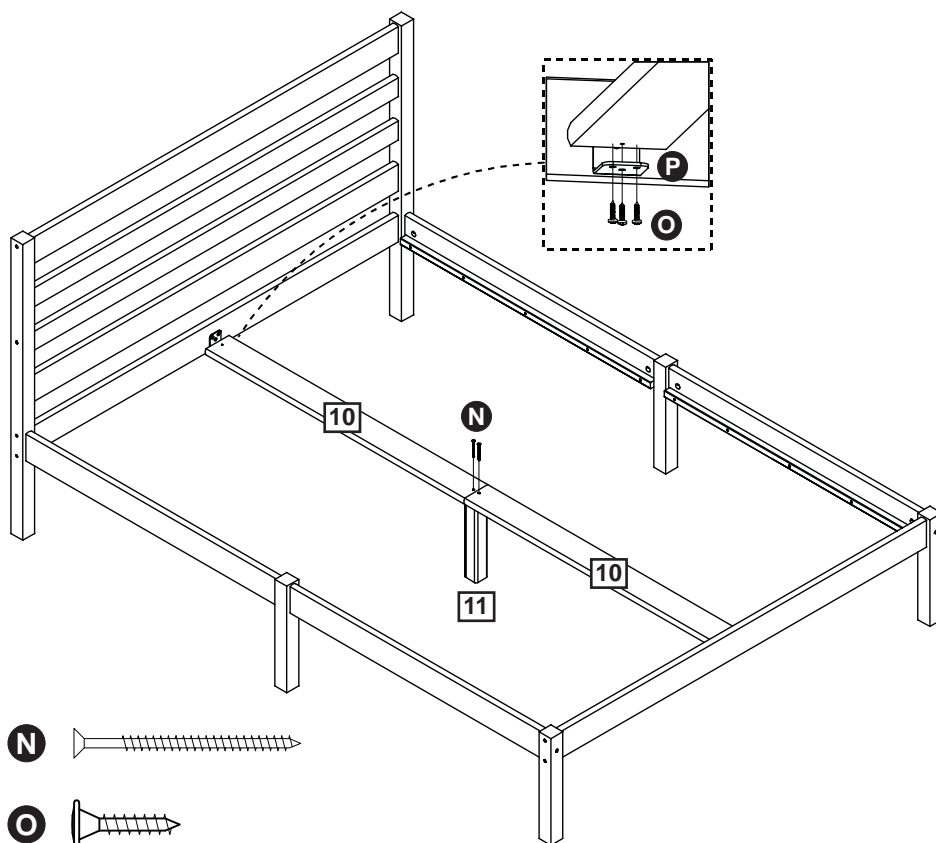
Step 8

Attach angles **P** to the lower endrails using screws **O**.



Step 9

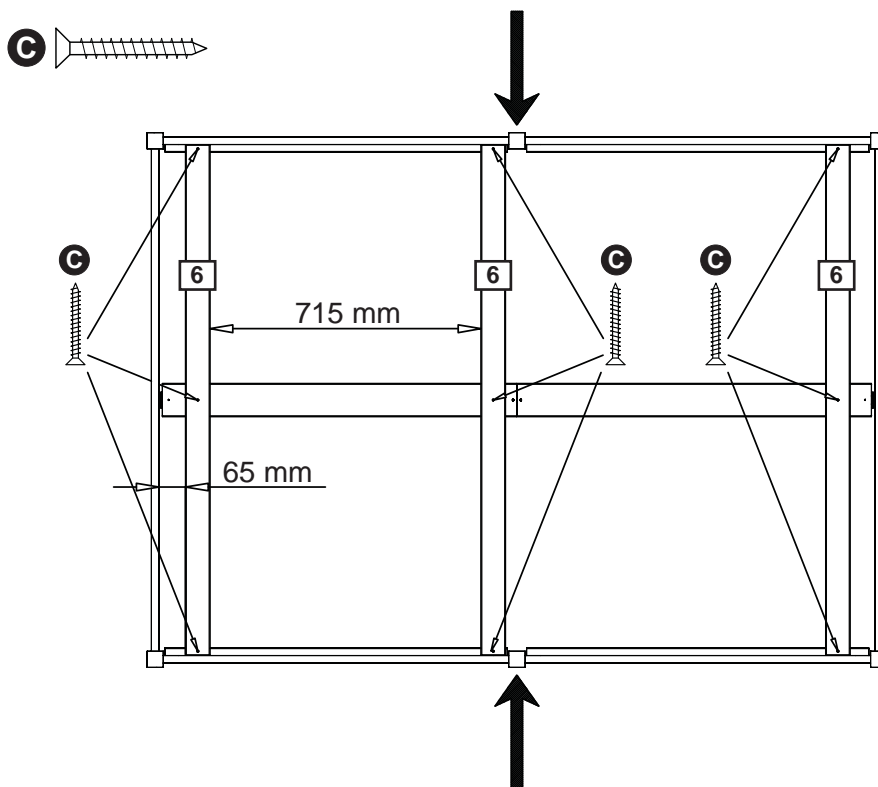
Attach midsupports **10** to the angles using screws **O**. Attach the midsupports **10** to the leg **11** using screws **N**.



Assembly Instructions

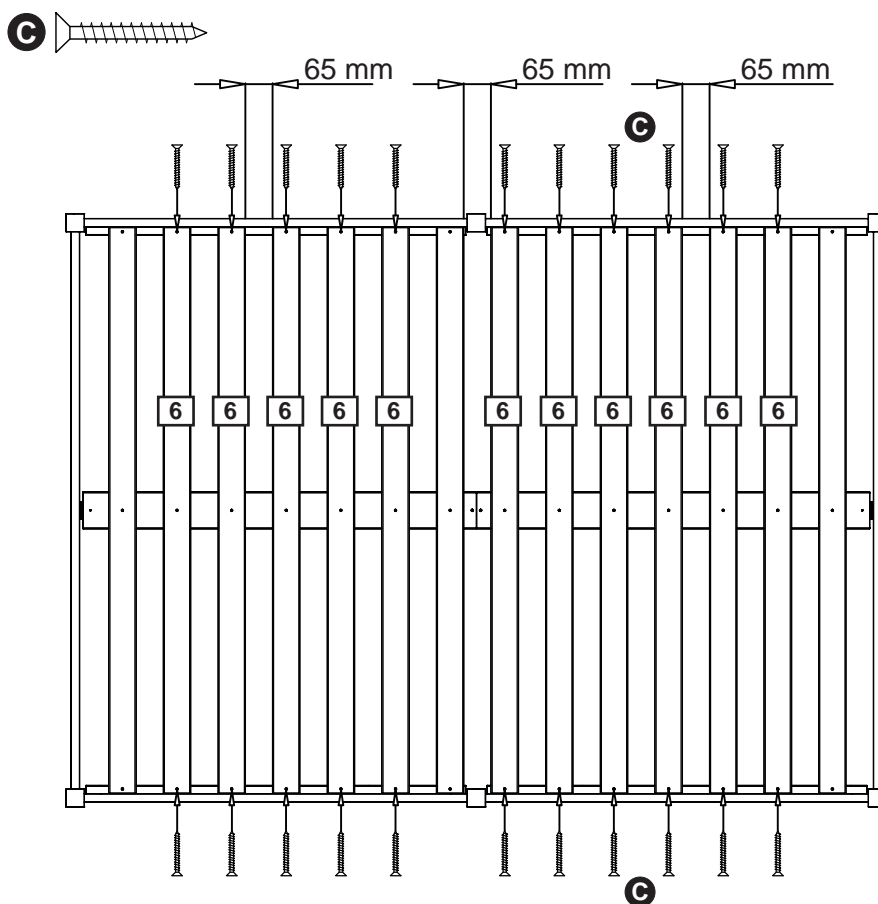
Step 10

Position three slats **6** into the bed with the distances shown. Push the bedsides together and fasten the slats using screws **C**.



Step 11

Position the remaining slats **6** into the bed with the distance of 65 mm between one another. Fasten the slats using screws **C**.



Assembly is complete.

If you need help or have damaged or missing parts, call the **Customer Helpline: 0045 7668 8055**
E-mail: order@flexa.dk