

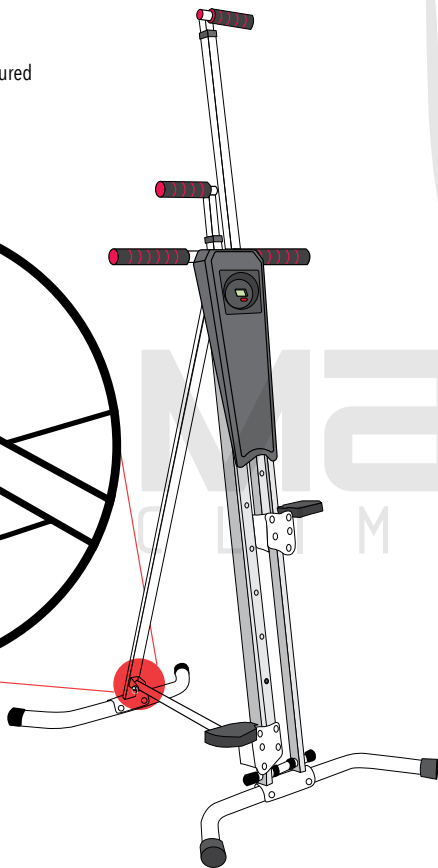
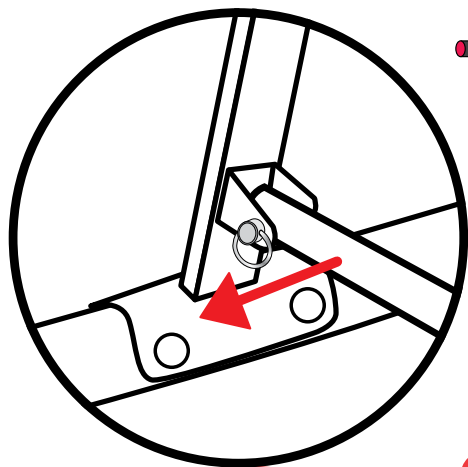
USER MANUAL



MaXi
CLIMBER
FULL-BODY WORKOUT

1. SAFETY

WARNING: Make sure the locking pin is secured before getting on the machine.



WARNING

- SERIOUS INJURY COULD OCCUR IF THESE PRECAUTIONS ARE NOT OBSERVED.
- Read the user manual prior to using the machine.
- CONSULT YOUR PHYSICIAN prior to beginning an exercise program.
- Keep head, limbs, fingers, and hair clear of all moving parts and inspect machine before every use.
- Do not use if it appears damaged or inoperable.
- Use the machine only for intended use.
- Be careful getting on and off the machine.

IMPORTANT SAFETY INFORMATION

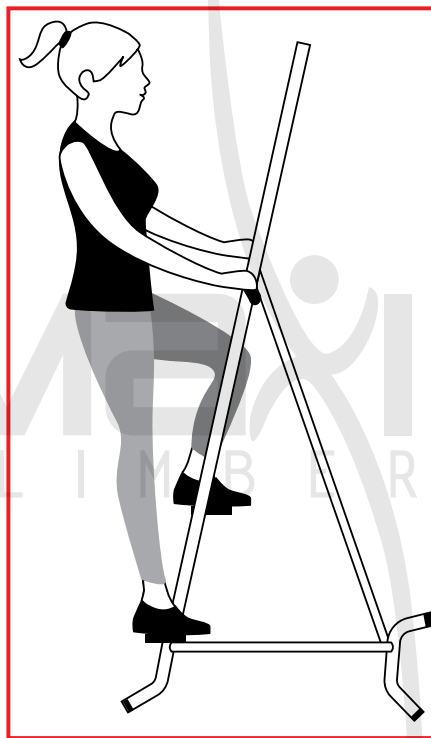
- IMPORTANT:** Please read and follow all instructions thoroughly before using your MaxiClimber®.
- ALWAYS BE CAREFUL WHEN GETTING ON AND OFF THE MaxiClimber®. READ THE INSTRUCTIONS ABOUT PROPER WAYS TO GET ON AND OFF THE MaxiClimber®.
 - KEEP BODY PARTS, HANDS AND FEET, AWAY FROM THE PULLEY ON THE BACK OF THE COVER AND OFF THE FOLDING PEDALS AND MOVING RAILS. SEVERE INJURY CAN RESULT IF BODY PARTS, HANDS OR FEET, ARE PLACED ON ANY OF THESE MOVING PARTS.
 - KEEP THE MaxiClimber® OUT OF THE REACH OF CHILDREN. The MaxiClimber® is not a toy and it's not meant to be used by or near children and pets. Please keep children and pets away from the MaxiClimber® during use, as well as when the product is left unattended.
 - Consult your physician before beginning any exercise or diet program, especially if you have concerns about your physical fitness levels and overall suitability for exercising with the MaxiClimber®.
 - If you experience any pain or unusual discomfort during exercise, stop your workout at once and consult a physician before continuing.
 - When using the MaxiClimber® follow the instructions provided in this booklet. Do not use the product for any other exercises or motions that are not contained herein.

ONLY USE THE MaxiClimber® ON A FLAT, STABLE SURFACE. DO NOT USE THE MaxiClimber® ON A SMALL AREA RUG THAT MAY TEND TO MOVE WHILE EXERCISING.

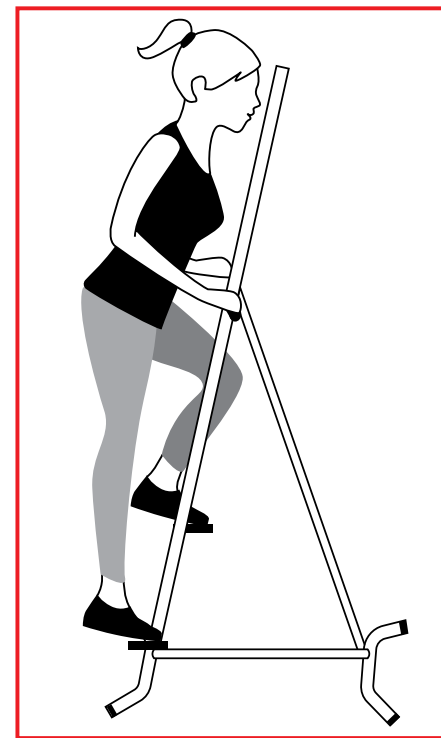
DO NOT OVER EXERT YOURSELF! IMMEDIATELY STOP THIS OR ANY OTHER EXERCISE IF YOU FEEL FAINT, DIZZY, SHORTNESS OF BREATH OR ANY OTHER PHYSICAL DISCOMFORT.

- DO NOT ATTEMPT TO USE THE MaxiClimber® WITHOUT HOLDING ONTO ANY OF THE HANDLES.
- To avoid the risk of injuries to your face, do not lean your body against the MaxiClimber® while performing the exercise holding the fixed handles. See Picture for Proper Body Positioning. Always perform this exercise with an upright posture parallel to the MaxiClimber® with the arms in a half extended position.
- Use only accessories and attachments recommended by the manufacturer. Do not use any other attachments or accessories as this is not recommended by the manufacturer and will void the warranty.
- Always choose the proper level which best suits your physical strength and flexibility workout.
- Know your limits and train within them. Always use common sense when exercising. If you have any questions regarding your exercise program, please see your physician.
- DO NOT USE THE MaxiClimber® if it is damaged in any manner. Inspect it before each use. Failure to observe this warning could result in personal injury while exercising.
- Use the machine only for intended use as described herein.
- Do not replace any parts with parts from other equipment or other manufacturers. Use only parts provided by the manufacturer.
- Inova US IS NOT RESPONSIBLE FOR PERSONAL INJURY OR PROPERTY DAMAGE SUSTAINED BY OR THROUGH THE USE OF THE MaxiClimber®.
- Maximum user weight is 240 lbs (110Kg).
- This product is intended for home use only and is not intended for commercial facilities such as Health Clubs, Hotels or Fitness Centers.
- DO NOT LEAN BACK OR STRAIGHTEN THE ARMS BECAUSE THE MACHINE MAY BECOME UNSTABLE AND TIP OVER.
- SAVE THESE INSTRUCTIONS AND ENSURE THAT OTHER USERS READ THESE INSTRUCTIONS PRIOR TO USING THE MaxiClimber® FOR THE FIRST TIME.

Proper Body Positioning

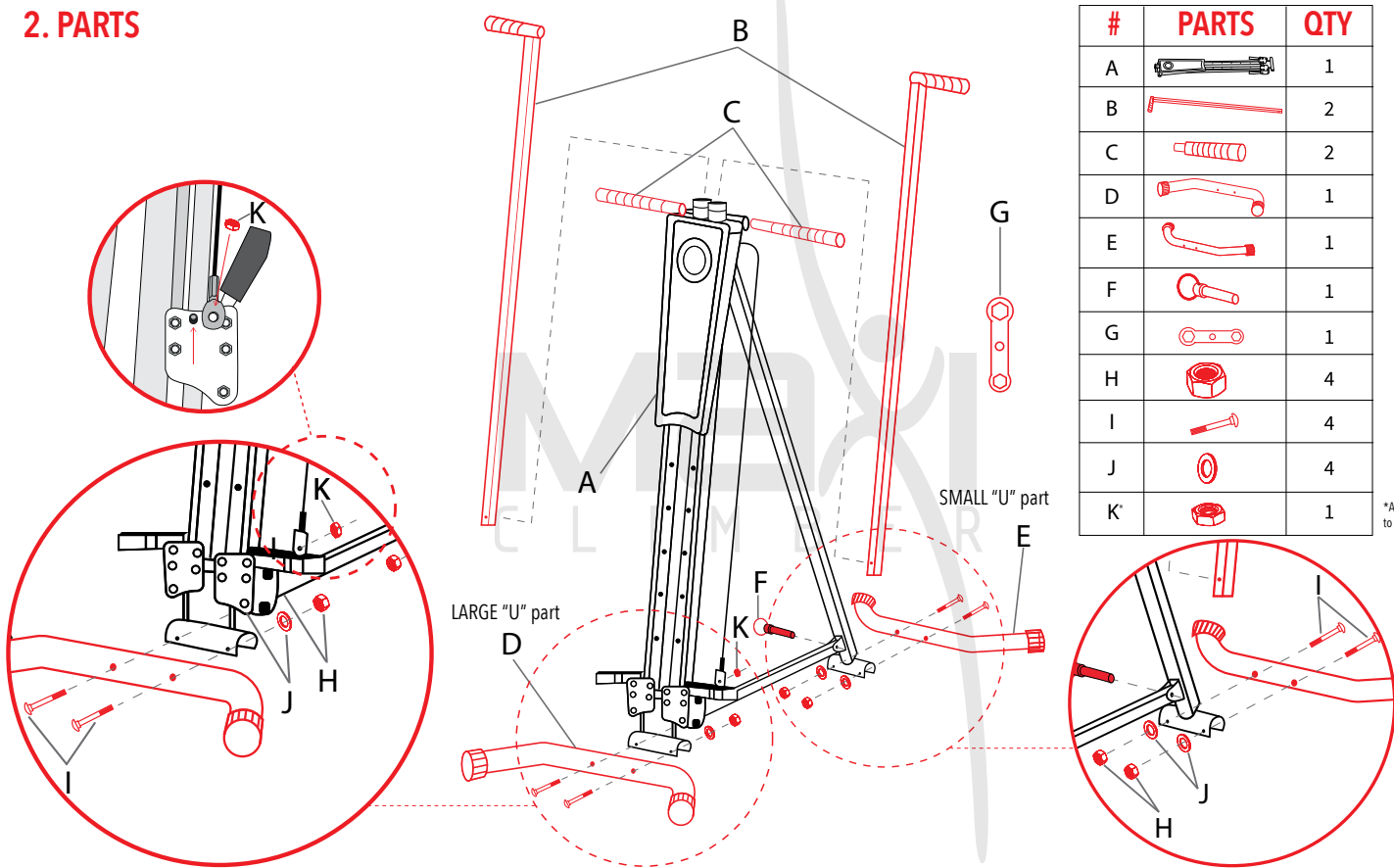


CORRECT



INCORRECT

2. PARTS



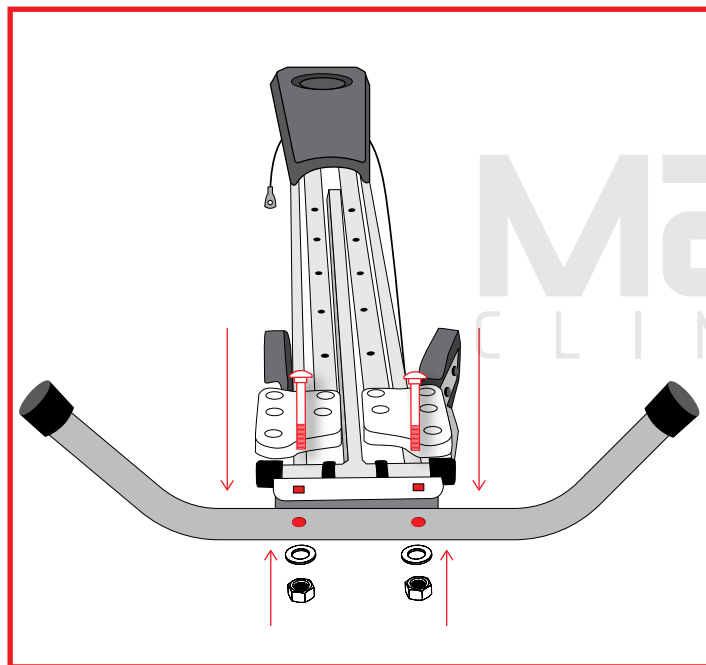
#	PARTS	QTY
A		1
B		2
C		2
D		1
E		1
F		1
G		1
H		4
I		4
J		4
K		1

*Already attached to the body

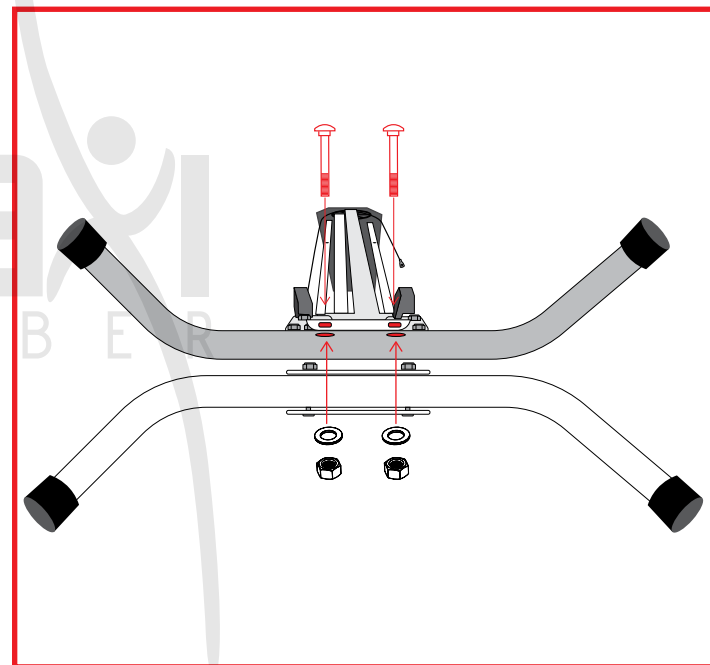
3. ASSEMBLY

MaxiClimber® can be assembled in 15 minutes by only one person. Screws and nuts only need to be tighten with the wrench (part G). When assembling the MaxiClimber® follow these instructions:

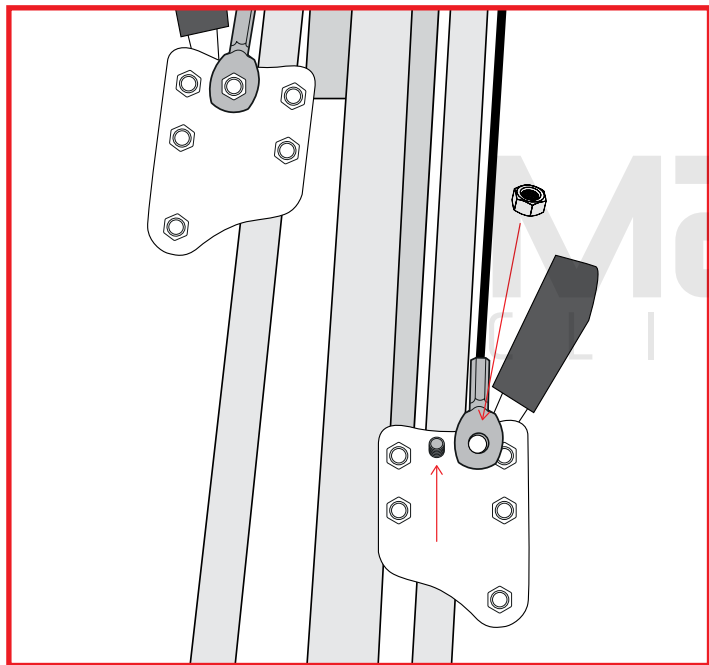
(1) Insert 2 screws (part I) in the larger "U" bar (part D). Place washers (part J) and nut (part H), screw (part I) on and tighten with wrench (part G). Make sure it's tightened. See picture.



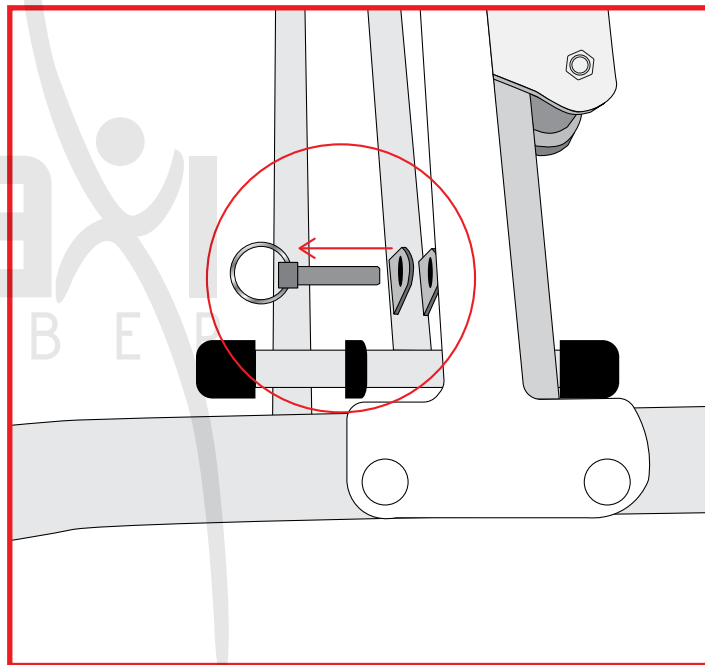
(2) Insert 2 screws (part I) in the small "U" bar (part E). Place washers (part J) and nut (part H) screw on and tighten with wrench (part G) . Make sure it's tightened. See picture.



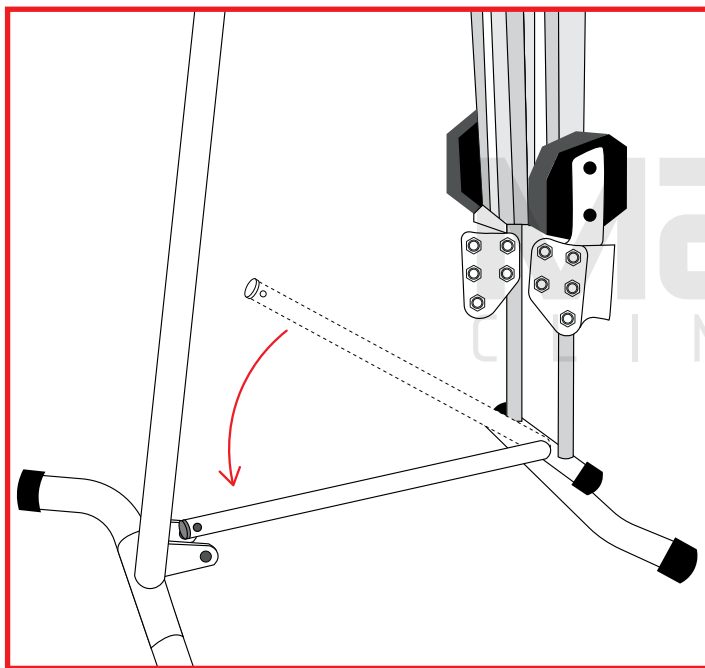
(3) Release the loose nut (part K) already attached to the body (part A) on the fixed screw at the base of the foot and insert the rounded tip of cable into the fixed screw. Tighten the nut using wrench (part G). See the picture.



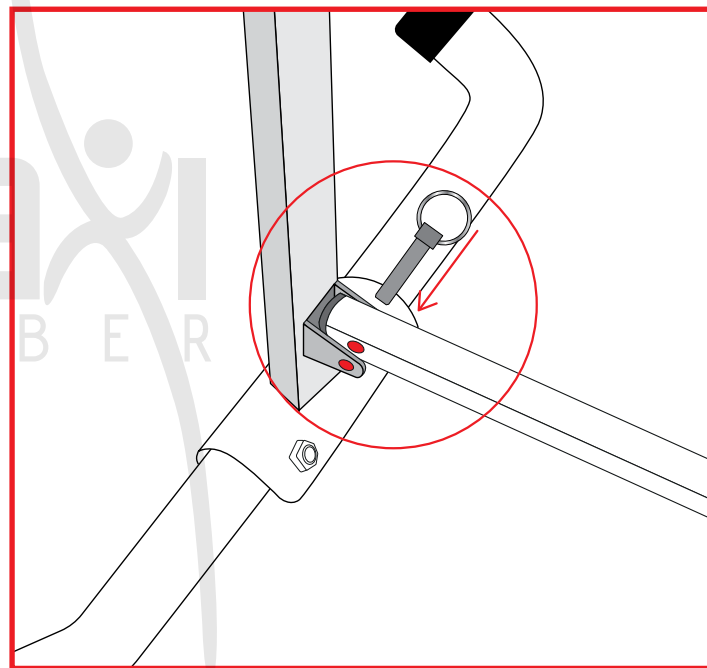
(4) Remove safety pin (part F). See picture.



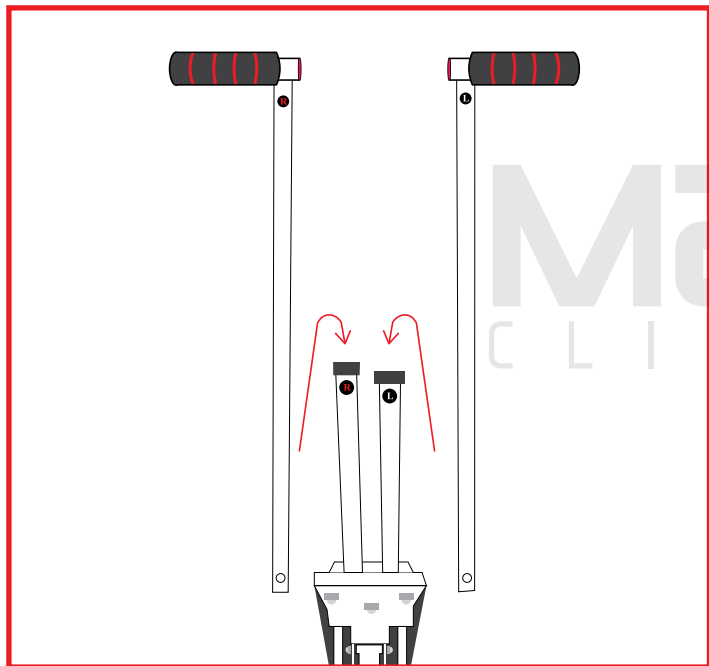
(5) Pull-open the back supporting bar and lower the middle arm until it's parallel to the floor.
See picture.



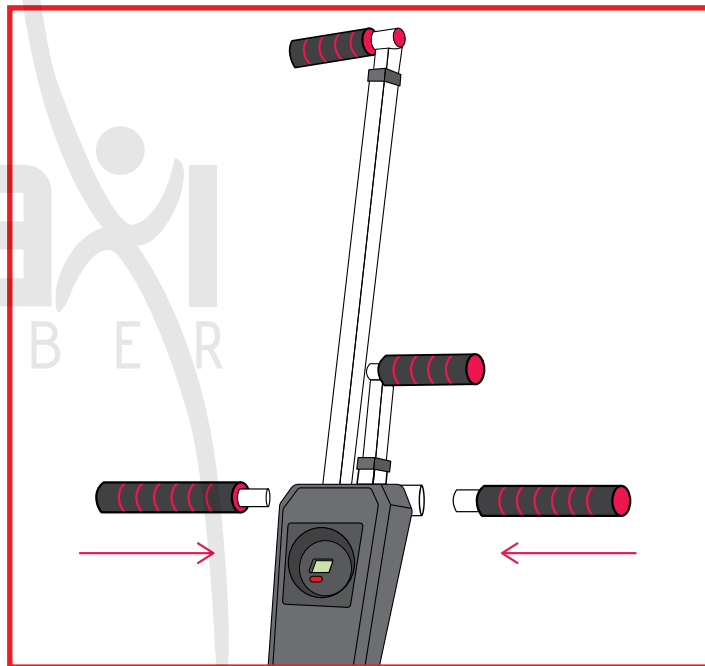
(6) Get the safety pin in (part F), to secure the middle arm with the small "U" bar (part E).
See picture.



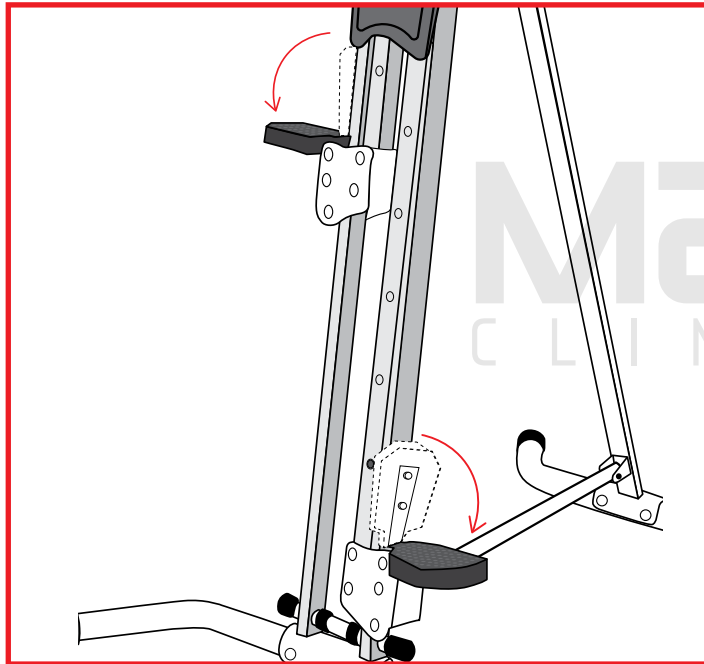
(7) Insert the upper left and right handles (part B). Make sure to press the securing push button with your thumb. See pictures.



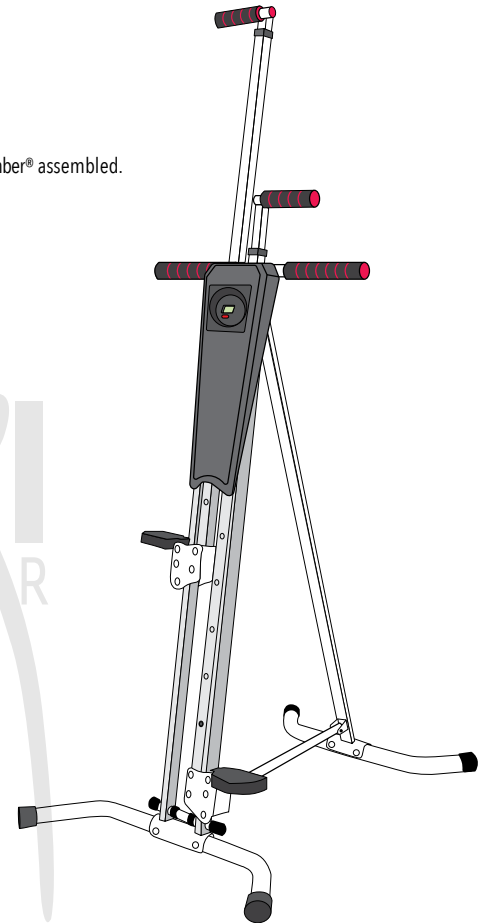
(8) Insert the fixed handles (part C) into the main body. Make sure to press the securing push button with your thumb. See picture.



(9) Open the pedals. See picture.

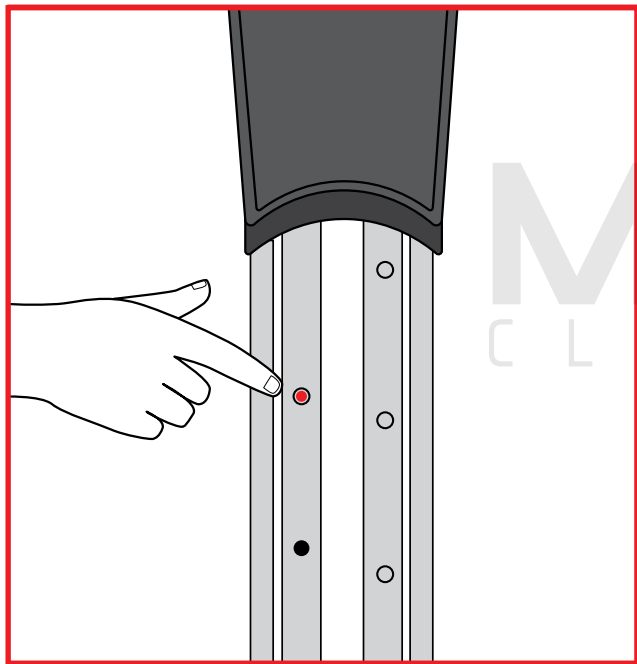


MaxiClimber[®] assembled.



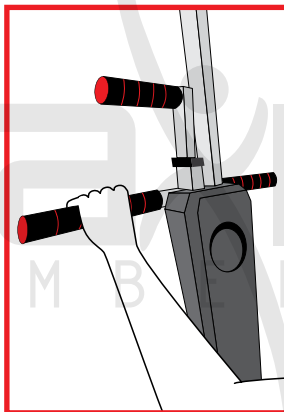
4. HEIGHT ADJUSTMENTS

There are five different height settings in the MaxiClimber® so you can customize the machine to your size. Press with your thumb the push-button shown in the picture, and at the same time, with your opposite hand, move the respective post up or down according to your desired setting. See picture.

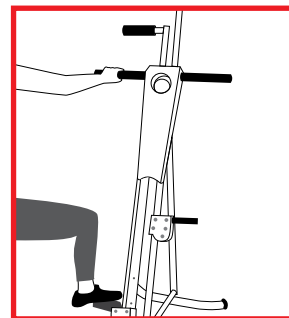


5. GETTING STARTED

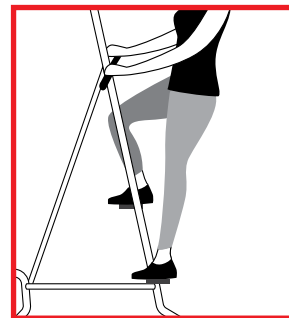
First you need to adjust the height of the moving handles (See Height Adjustment in section 4). Once you have adjusted the moving handles, get on the MaxiClimber® by placing one hand over the fixed handle and grab it firmly (See picture).



Then place the same side foot over the pedal and stand on it (See picture).



With your free hand grab the opposite handle and place your other foot on the opposite pedal (See picture).

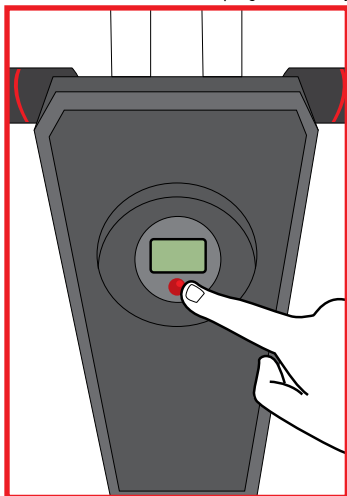


Perform a few up and down movements (about 2 minutes) when using your MaxiClimber® for the first time and before actually starting your workout to get used to the machine and the motion. Remember that the alternating movement of your legs should never be such that the base of the foot actually touches the bottom frame of the machine. You should change direction to the upward movement before the base of the foot touches the bottom frame of the machine. The idea is to perform one single up and down fluid movement with your arms and legs. Once you are familiar with the movement, you can place and grab the moving handles one after the other to begin your current workout.

6. ALL-IN-ONE WORKOUT RECORD KEEPING

Timer, step and calorie counter. This monitor allows you to keep track of your workout time, the calories burned, and the accumulated steps. Before starting your workout, reset the monitor by pushing the red button for at least 3 seconds until you see a "0" on the screen. Once you reset it, the monitor will automatically start timing, adding the steps and the calories burned. It will stop as soon as you finish your workout. It will restart when you begin moving your legs again.

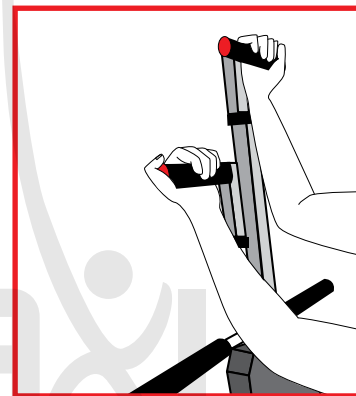
To switch between record keeping features in your screen, simply press down on the button:



1. When you press the button once, you will start the step counting feature for this particular workout session. The screen will display the following message: **CNT**.
2. When you press the button twice you will activate an accurate time-keeping feature to record the length of your workout session. The screen will display the following message: **TMR**.
3. When you press the button three times, you will receive information as to the cumulative results of all your workout sessions. The screen will display the following message: **TOT CNT**.
4. When you press the button four times you will obtain the total calories burned during each workout session. The screen will display the following message: **CAL**.

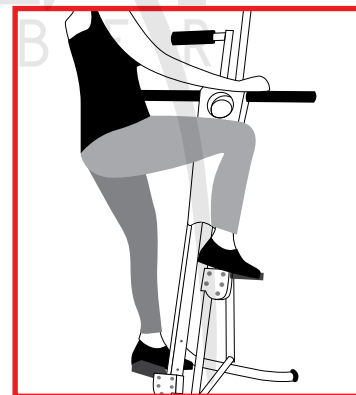
To reset your record keeping features, you must press down on the button and hold it for three seconds. (Note: The third function is not resettable)

7. ALTERNATE MOVEMENTS



Biceps

You can target your biceps by holding the hand grip with your hands facing towards you. See picture.



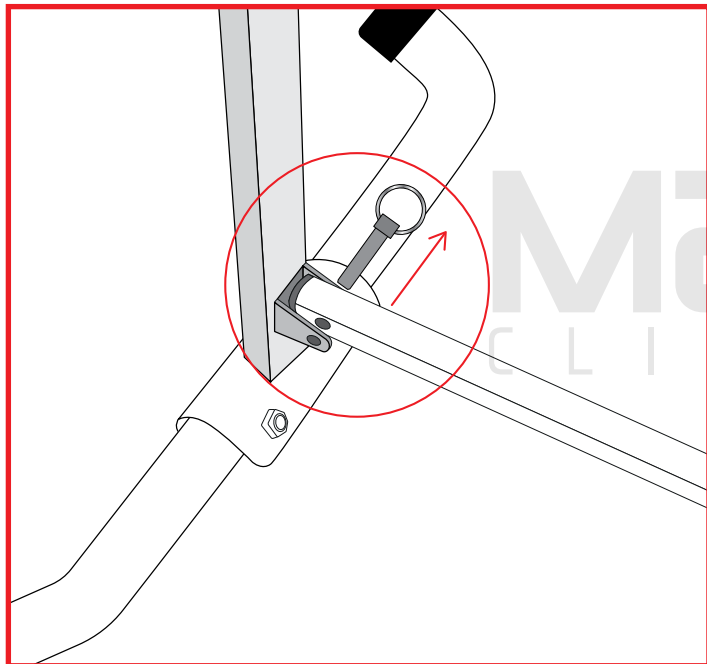
Stepping

You can perform a simple step workout by placing both hands on the fixed handles targeting the movement in your legs. See picture.

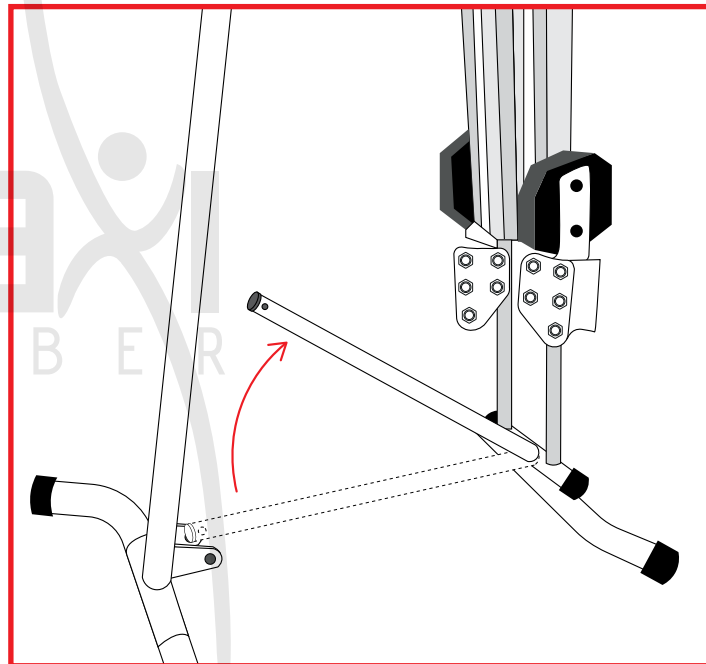
8. FOLDING AND STORAGE

MaxiClimber® takes up very little space as it can be easily folded by performing the following steps:

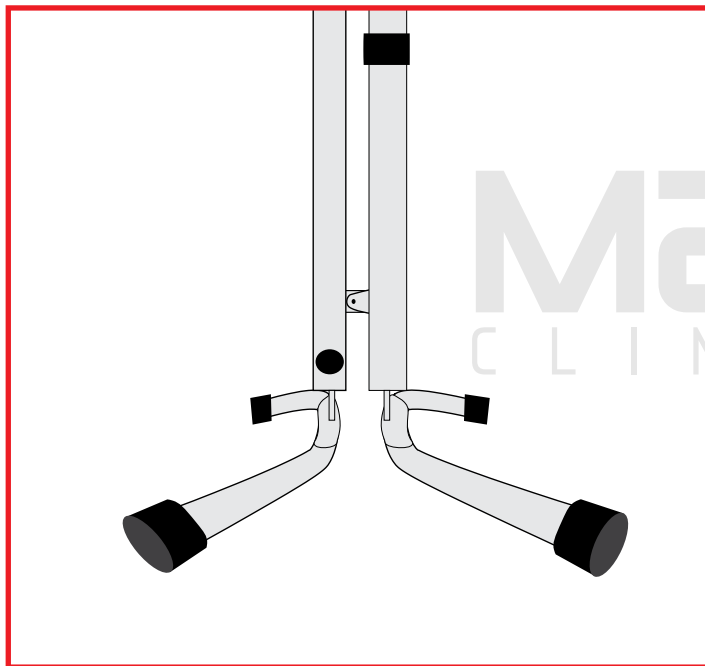
(a) Remove the safety pin (part F). See picture.



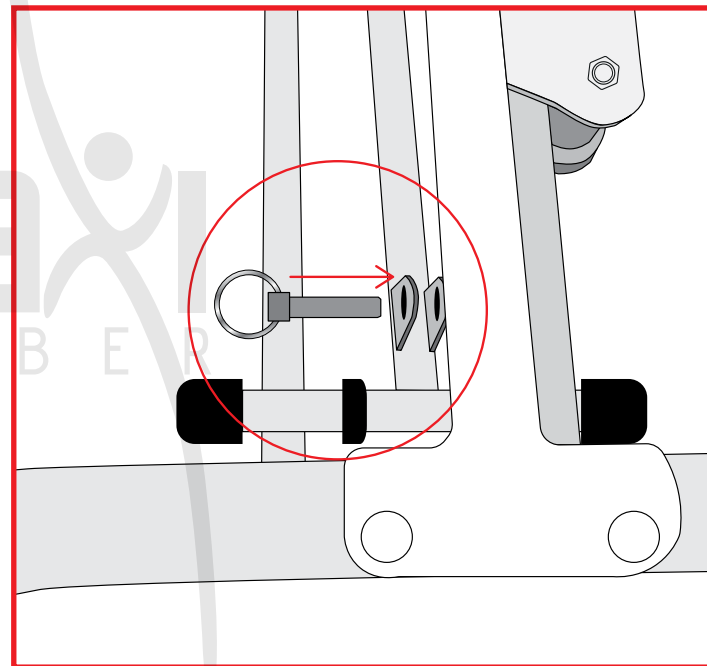
(b) Lift the middle bar until it is set between the double front bars and vertical to the ground. See picture.



(c) Hold the back bar and move it towards the opposite front double bar until they are parallel with each other and vertical to the floor. See picture.



(d) Put back the safety pin (part F). See picture.





MaxiClimber® LIMITED WARRANTY ONE (1) YEAR (VALID ONLY FOR PURCHASES IN USA AND ITS TERRITORIES)

Warranty: Inova US ("Inova") warrants to the original MaxiClimber® purchaser ("Customer"), and only to the Customer, that the MaxiClimber® ("Product") for which the Customer received this warranty was designed, developed, manufactured and/or assembled using all due reasonable commercial care and good manufacturing practices. Inova US Product shall be, when properly assembled and used, free from defects in material and workmanship and fit for the ordinary purpose for which such Product is used for one (1) year from original date of purchase. Inova's sole obligation under this warranty is to repair or replace the Product, at Inova's option. Inova's obligations to the buyer hereunder shall be conditioned upon the buyer's notifying Inova of the claimed defect within thirty (30) days of the discovery thereof and upon the Product: (I) being returned, freight prepaid, to Inova at the address below; (II) being found defective; (III) being found to have been properly assembled and used (if assembled and/or used); and (IV) being returned within one (1) year from the date of sale to the buyer.

Warranty and Liability Disclaimer: INOVA MAKES NO OTHER WARRANTIES OR REPRESENTATIONS OF ANY KIND WHATSOEVER, EXPRESS OR IMPLIED, EXCEPT THAT OF TITLE, AND ALL IMPLIED WARRANTIES INCLUDING ANY WARRANTY OF MERCHANTABILITY AND FITNESS FOR A PARTICULAR PURPOSE ARE HEREBY DISCLAIMED. Notwithstanding the foregoing, the duration of any implied warranty or condition of merchantability, fitness for a particular purpose, or otherwise, on the Product that may be found to be made shall be limited to the duration of the express warranty set forth above. In no event shall Inova be

liable for any loss, inconvenience, damage, or personal injury, whether direct, incidental, consequential or otherwise, resulting from breach of any express or implied warranty or condition of merchantability, fitness for a particular purpose or otherwise with respect to the Product, or from use of the Product, except as set forth herein. Some states or countries do not allow limitation on how long an implied warranty lasts and some do not allow exclusions or limitations of incidental or consequential damages, so the above limitations or exclusions may not apply to you. This warranty gives you specific legal rights, and you may have other rights which may vary from location to location. This warranty will be interpreted pursuant to the laws of the United States and the State of Florida. The original English version (meaning) of this warranty controls over all translations; Inova is not responsible for any errors in translation of this warranty and/or any Product instructions. This warranty is not intended to confer any additional legal, jurisdictional or warranty rights to you other than those set forth herein or required by law. If any portion of this warranty is held to be invalid or unenforceable for any reason, such finding will not invalidate any other provision.

Warranty Service Options: For service under this warranty you must notify Inova in writing within 30 days to obtain a Returned Merchandise Authorization (RMA). When requesting your RMA, you must specify the Product in question by providing the order number.

TO OBTAIN ASSISTANCE in USA and its Territories Contact MaxiClimber® Customer Care Center:

By Phone: 1-888-433-9083
By email: customerservice@maxiclimber.com
Website: MaxiClimber.com

Any insurance and/or shipping costs incurred in returning your Product under the approved Returned Material warranty option are your responsibility. Inova will not be responsible for any products lost or damaged in shipment.

Warranty Exclusions: Representatives and brokers of Inova products and services are not authorized to modify this warranty in any way. It is the Customer's responsibility to examine the Product regularly to determine the need for normal service or replacement. This warranty does not cover the following:

- Products that have been modified, neglected or poorly maintained, misused, abused, or involved in accidents or natural disasters;
- Damage occurring during shipment of the Product (such claims must be presented directly to the freight forwarder or shipping company);
- Damage to the Product resulting from improper maintenance or repair, the use or installation of parts and/or accessories that are not compatible with the original intended use of the Product, or the failure to follow the Product warnings and usage instructions or by anyone weighing more than 240 pounds (110 kg);
- Any products for which the Customer does not follow the warranty procedures outlined above.

**Warranty for other Countries/Territories
see attached sheet.**

MANUAL DE USUARIO

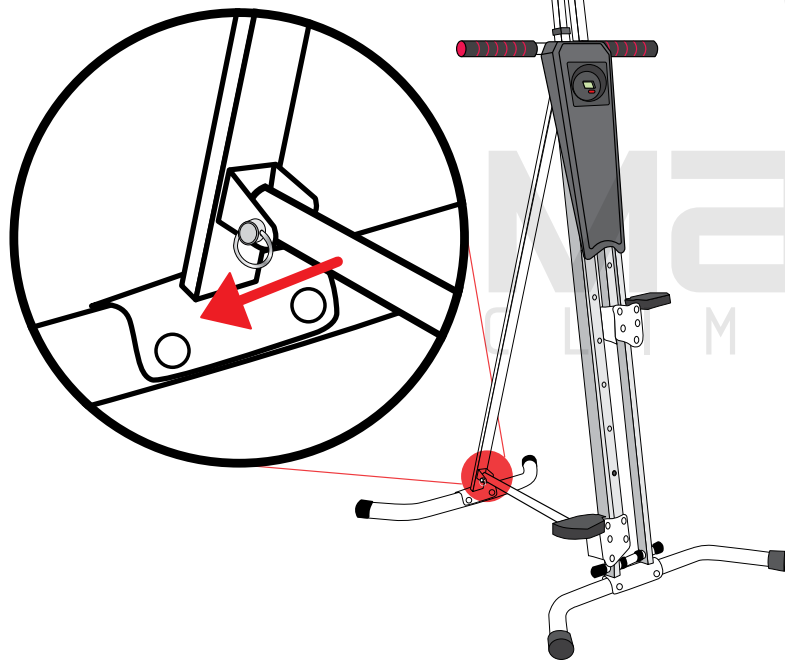


MaXi
CLIMBER
FULL-BODY WORKOUT

1. SEGURIDAD

ADVERTENCIA: Antes de subirse al aparato asegúrese que el perno de seguridad esté puesto.

Al armar su aparato asegúrese de ajustar bien las piezas.



ADVERTENCIA

SI ESTAS PRECAUCIONES NO SON TOMADAS EN CUENTA, PODRÍAN OCURRIR ACCIDENTES.

- **IMPORTANTE:** Por favor lea y siga las instrucciones antes de usar su MaxiClimber®.
- CONSULTE A SU MÉDICO Y ESPECIALISTA, ANTES DE INICIAR EL PRESENTE PROGRAMA DE EJERCICIO, SI LO COMPLEMENTA CON OTROS ELEMENTOS (COMO RÉGIMEN DIETÉTICO), ASEGÚRESE DE HACERLO CON LA ASESORÍA PROFESIONAL ADECUADA.
- MANTENGA LAS PARTES DEL CUERPO, MANOS Y PIES ALEJADOS DE LA POLEA (SITUADA EN LA PARTE POSTERIOR DE LA CUBIERTA), DE LOS PEDALES PLEGABLES Y DE LOS RIELES MÓVILES; PODRÍAN OCURRIR LESIONES GRAVES SI USTED COLOCA CUALQUIER PARTE DE SU CUERPO SOBRE ESTAS PIEZAS MÓVILES.
- No lo utilice si está roto, dañado o en malas condiciones. MaxiClimber® es sólo para ejercitarse. Por favor no lo utilice para otros fines. SIEMPRE TENGA CUIDADO AL SUBIRSE Y BAJARSE DE MaxiClimber®.

INFORMACIÓN IMPORTANTE DE SEGURIDAD

- LEA LAS INSTRUCCIONES SOBRE LA MANERA ADECUADA PARA SUBIRSE Y BAJARSE DE MaxiClimber®.
- MANTENGA MaxiClimber® FUERA DEL ALCANCE DE LOS NIÑOS. MaxiClimber® no es un juguete y no está diseñado para ser usado por niños pequeños y/o mascotas. Por favor mantenga a los niños y animales alejados de MaxiClimber®.
- Cuando se ejercite con MaxiClimber® por favor siga las instrucciones contenidas en este manual. No utilice el producto para cualquier otro tipo de ejercicio o movimientos que no aparezcan en este documento.

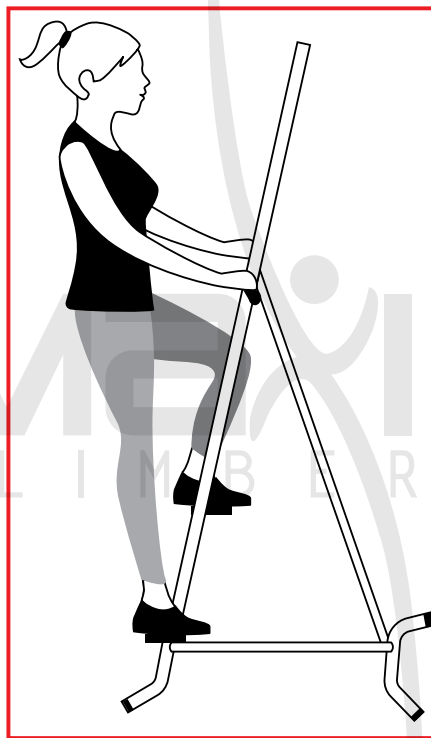
COLOQUE MaxiClimber® EN UNA SUPERFICIE PLANA, FIRME Y ESTABLE PARA EVITAR CAÍDAS O ACCIDENTES POR INESTABILIDAD DEL APARATO. NO USE EL PRODUCTO SOBRE TAPETES, TOALLAS O SUPERFICIES QUE NO SEAN DURAS.

¡POR FAVOR NO SE ESFUERCE DE MÁS! SI USTED SE SIENTE DÉBIL, MAREADO, CON DIFICULTAD PARA RESPIRAR O CON CUALQUIER OTRO MALESTAR FÍSICO, DEJE DE INMEDIATO ESTE O CUALQUIER OTRO EJERCICIO Y CONSULTE A SU MÉDICO DE INMEDIATO.

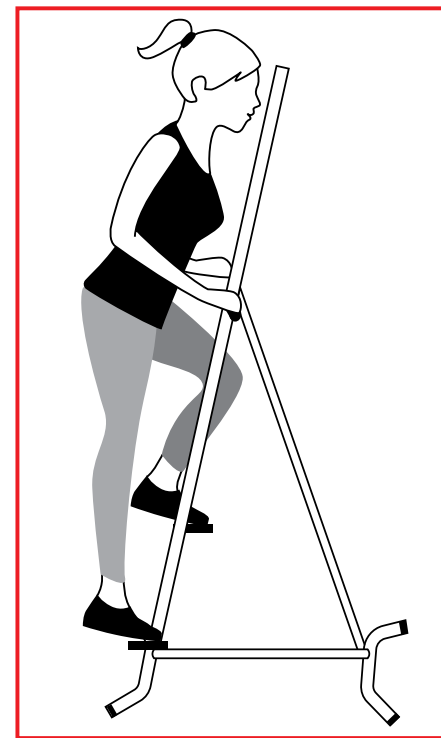
- NO UTILICE MaxiClimber® SIN AGARRARSE DE ALGUNO DE LOS MANUBRIOS.

- Para evitar golpes en la cara, no se incline hacia el aparato mientras se ejercita. Vea la imagen de la posición adecuada en la que se debe de ejercitar. Siempre realice el ejercicio con una postura erguida y mantenga una distancia considerable entre el aparato y usted.
- Utilice únicamente los accesorios y partes recomendados por el fabricante.
- Siempre elija la altura apropiada y que mejor se adapte a su fortaleza física y flexibilidad para el entrenamiento.
- Conozca su cuerpo. Consulte con su médico sobre su condición física; se recomienda entrenar previa revisión general, conforme a las indicaciones de los profesionistas referidos, para evitar lesiones o daño a su salud por exceso de ejercicio o sobrecarga de esfuerzo.
- Se recomienda leer el manual para evitar lesiones, accidentes o daño en sí mismos.
- El peso máximo que soporta MaxiClimber® es de 110 kilogramos (240 libras).
- Este producto está destinado solamente para uso en el hogar y no para instalaciones comerciales como gimnasios, hoteles o salones de ejercicio.
- No incline el cuerpo o alargue los brazos durante el uso del aparato, en forma diversa a la especificada en el instructivo, puede desestabilizarse y perder el equilibrio.
- **GUARDE ESTAS INSTRUCCIONES Y ASEGÚRESE QUE OTROS USUARIOS LAS LEAN ANTES DE UTILIZAR MaxiClimber® POR PRIMERA VEZ.**

Posición adecuada

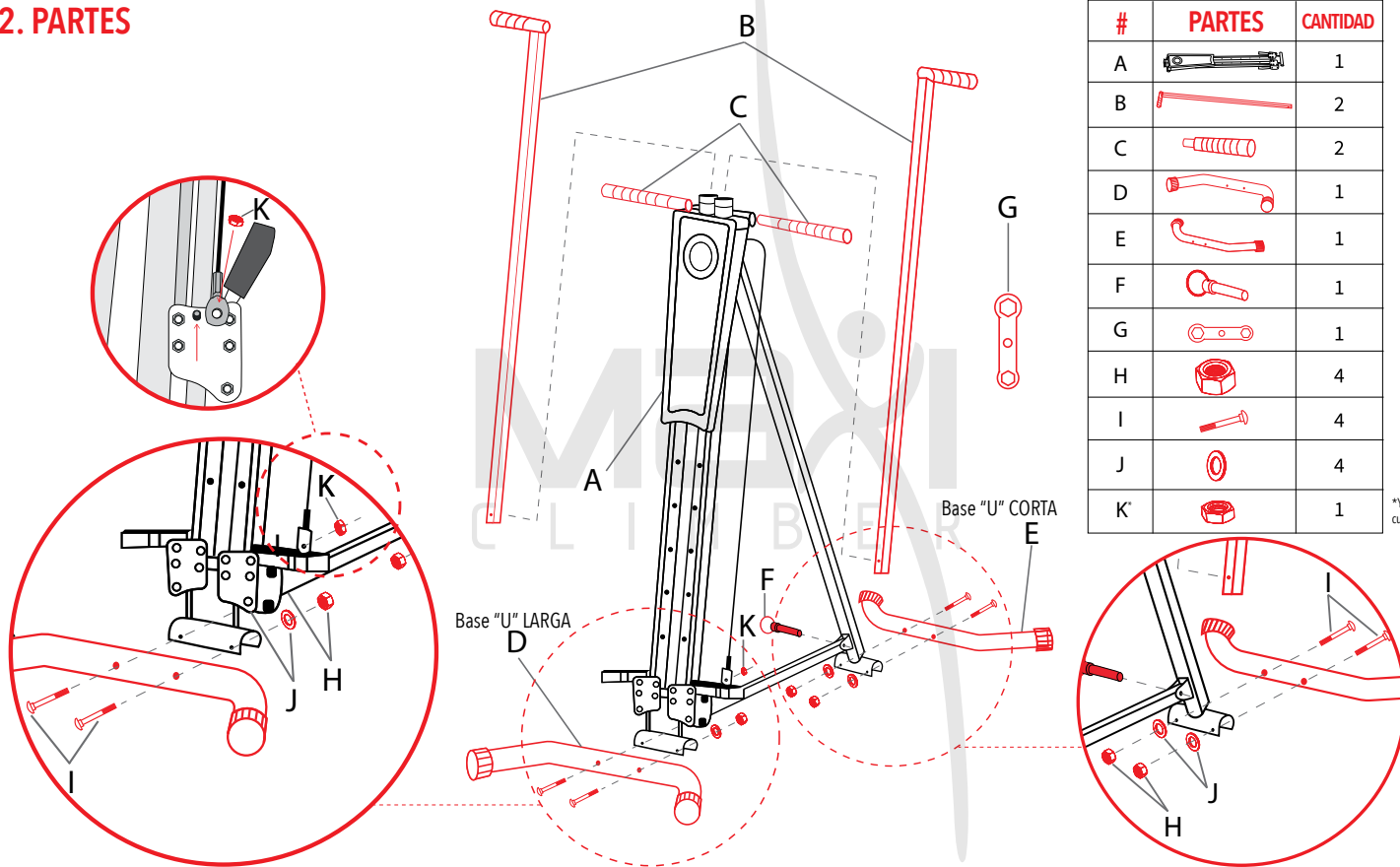


CORRECTA



INCORRECTA

2. PARTES



#	PARTES	CANTIDAD
A		1
B		2
C		2
D		1
E		1
F		1
G		1
H		4
I		4
J		4
K		1

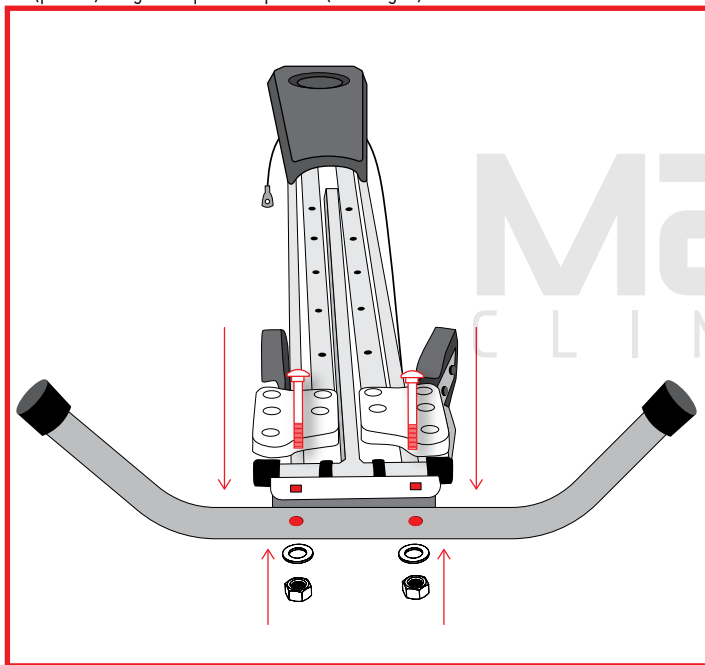
*Ya viene en el cuerpo del aparato

3. ARMADO

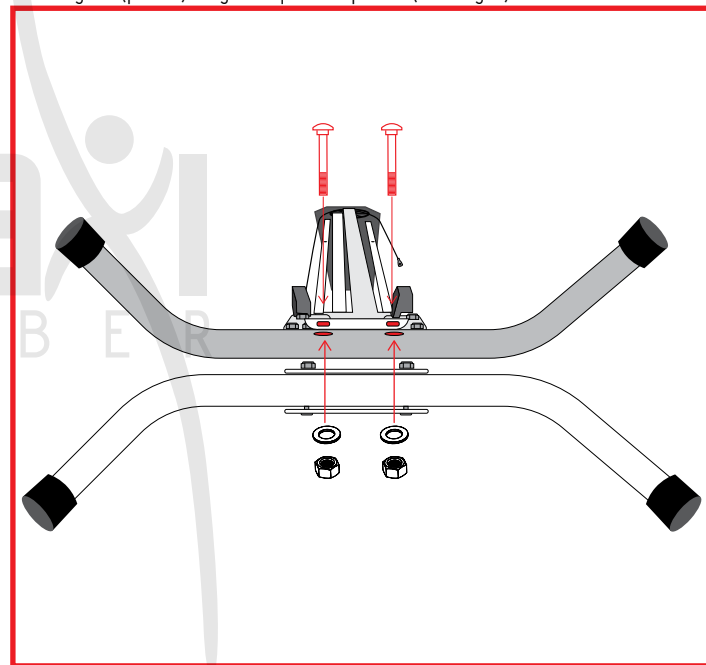
MaxiClimber® puede ser armado por una sola persona, en aproximadamente 15 minutos. Para armar MaxiClimber® por favor siga las siguientes instrucciones:

* Asegúrese que queden ajustadas las piezas del aparato después de armado, para evitar accidentes o mal funcionamiento; todas las piezas se aprietan con la llave hexagonal (parte G).

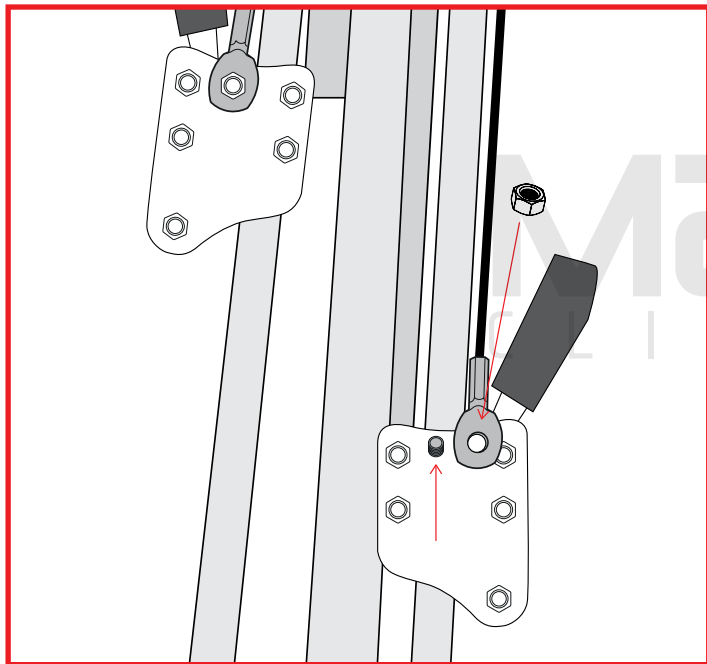
- (1) Inserte 2 tornillos (parte I) en la base en forma de "U" más larga (parte D). Coloque las rondanas (parte J), la tuerca (parte H), el tornillo (parte I) y apriete con la llave hexagonal (parte G). Asegúrese que esté apretado (Ver imagen).



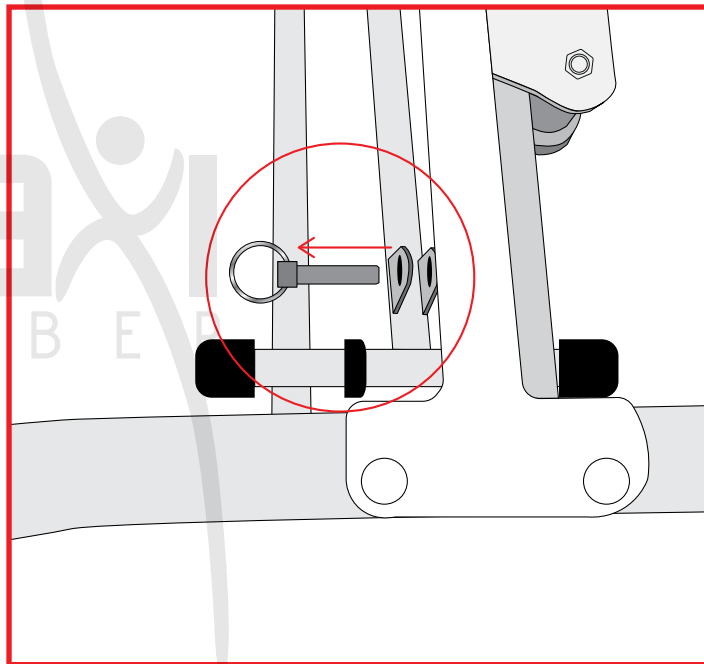
- (2) Inserte 2 tornillos (parte I) en la base en forma de "U" más corta (parte E). Coloque las rondanas (parte J), la tuerca (parte H), el tornillo (parte I) y apriete con una llave hexagonal (parte G). Asegúrese que esté apretado (Ver imagen).



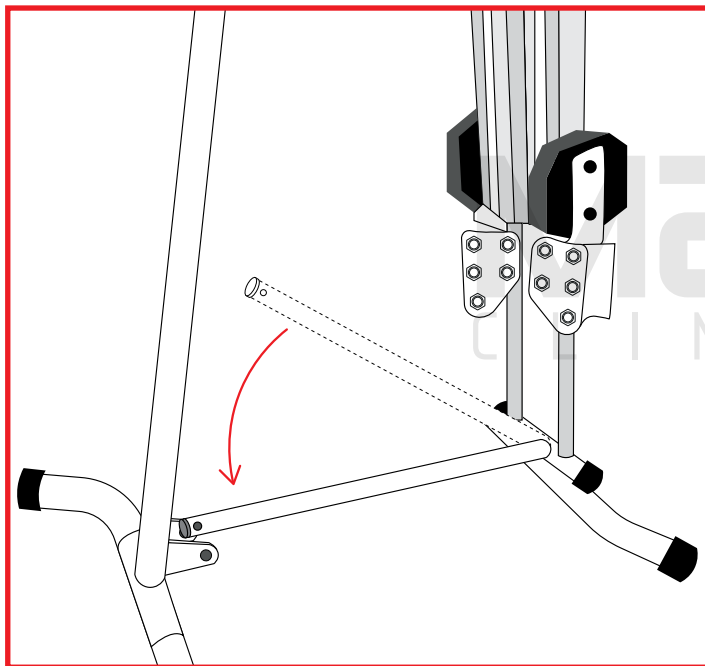
(3) Con los dedos, retire la tuerca (parte K) que se encuentra floja y puesta en el cuerpo del aparato (parte A) en el tornillo fijo en la base del pie e inserte la punta redondeada del cable en el tornillo fijo. Apriete la tuerca con una llave hexagonal (parte G). (Ver imagen).



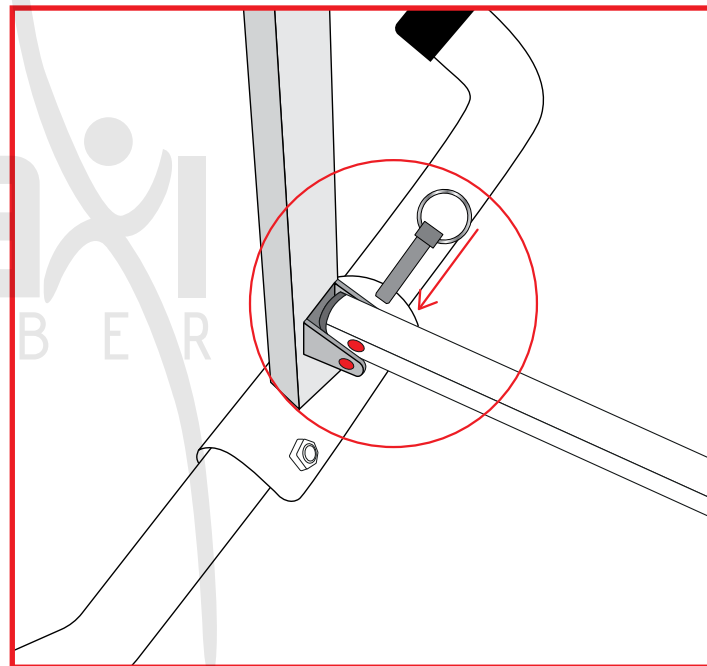
(4) Quite el perno de seguridad (parte F). (Ver imagen).



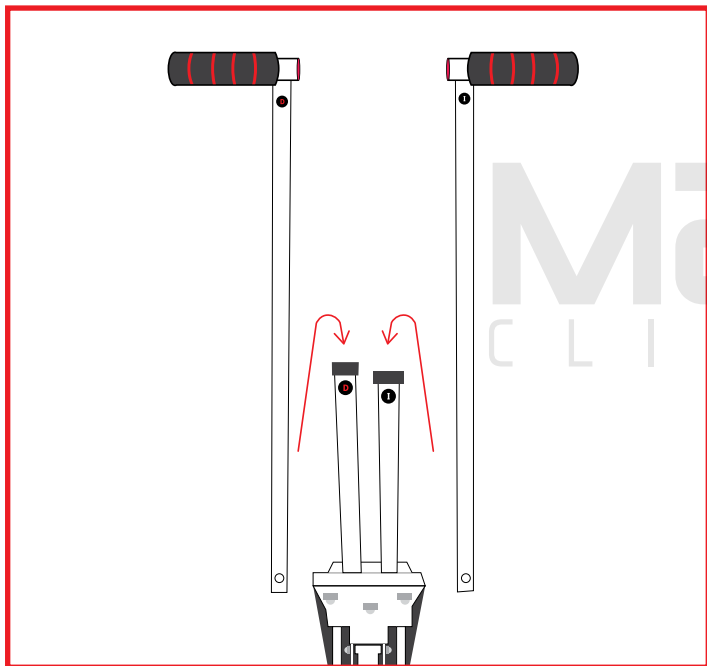
(5) Jale y abra la barra de soporte trasera y baje el brazo medio hasta que se encuentre paralelo al piso (Ver imagen).



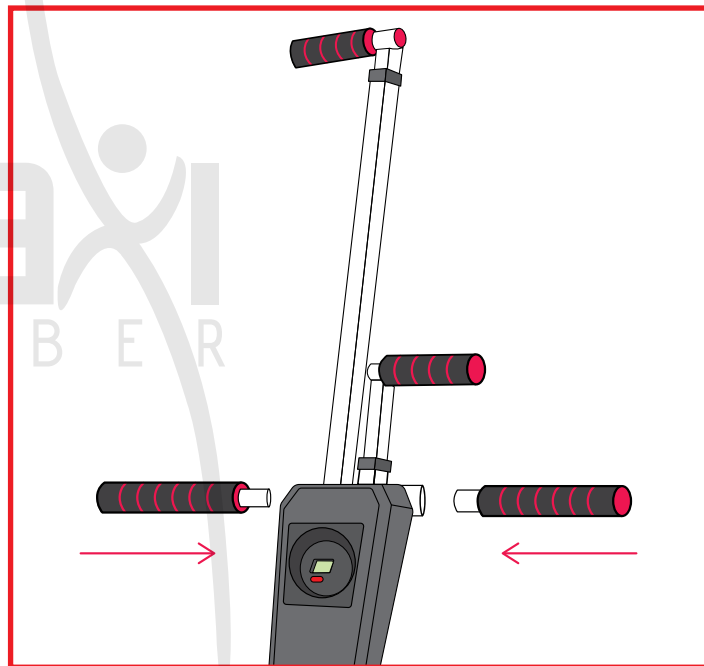
(6) Reubique el perno de seguridad (parte F) para unir el brazo con la base en forma de "U" pequeña (parte E). (Ver imagen).



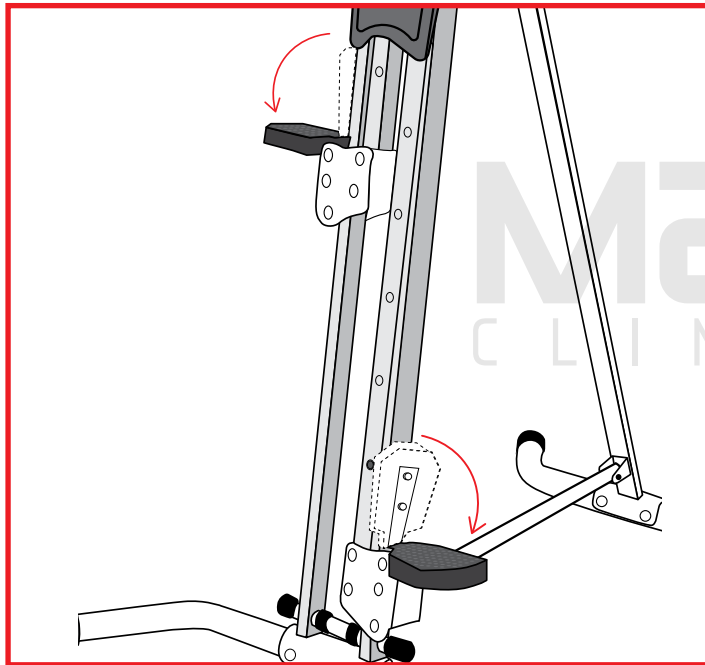
(7) Inserte los manubrios superiores (parte B), el de la izquierda y el de la derecha. Asegúrese de presionar con el pulgar el botón de ajuste (Ver imagen).



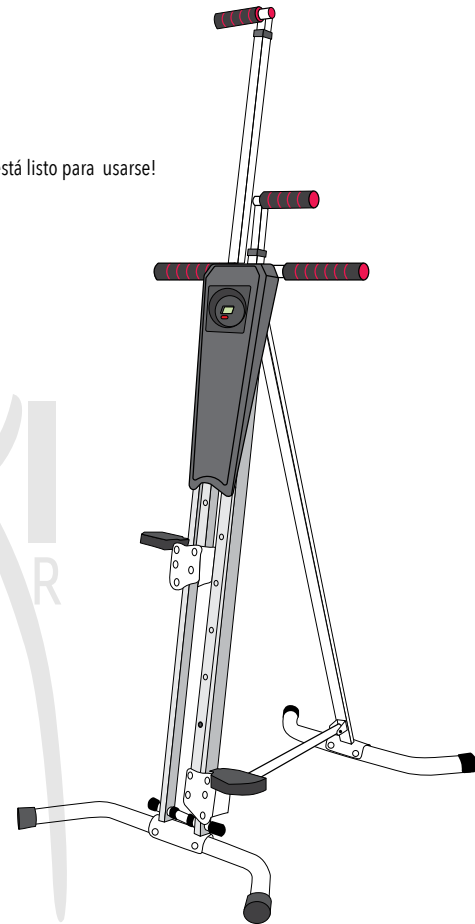
(8) Inserte los puños fijos (parte C) en la base central. Asegúrese de presionar con el pulgar el botón de ajuste (Ver imagen).



(9) Abra los pedales (Ver imagen).

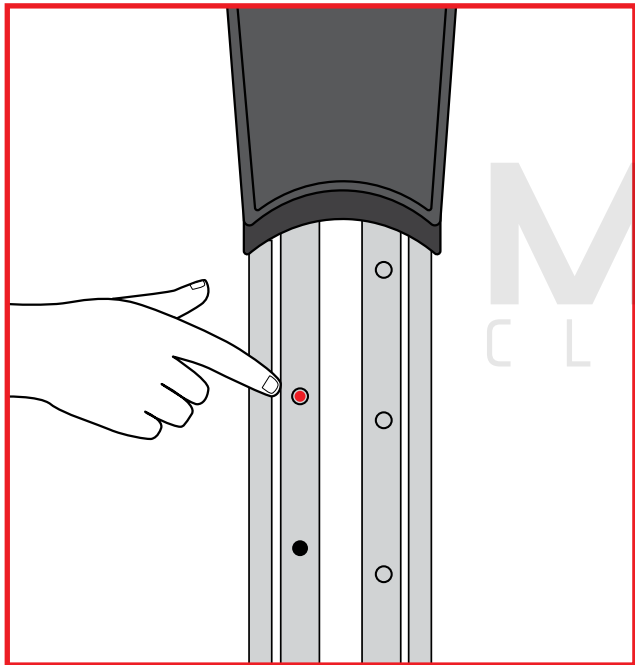


¡MaxiClimber[®] está listo para usarse!



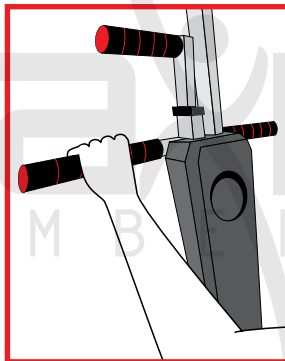
4. AJUSTE DE ALTURA

MaxiClimber® tiene cinco ajustes de altura, por lo que usted puede personalizar la máquina a su tamaño. Presione con el pulgar el botón como se muestra en la foto y al mismo tiempo, con la otra mano suba o baje la barra respectiva, según el ajuste deseado (Ver imagen).

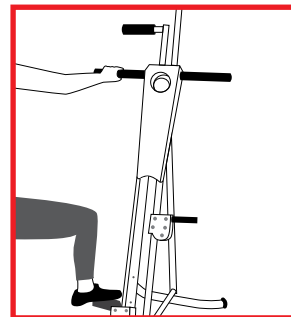


5. ANTES DE EMPEZAR

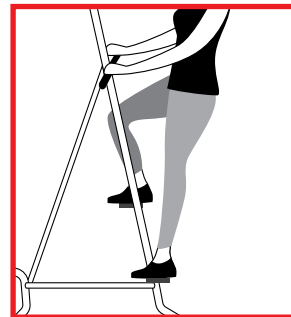
Primero ajuste la altura de los manubrios móviles. (Ver Ajuste de Altura en la sección 4). Una vez que haya ajustado los manubrios móviles, súbase a MaxiClimber® colocando una mano sobre el manubrio fijo y agarrándolo firmemente (Ver imagen).



Luego coloque el pie del mismo lado sobre el pedal y párese sobre él (Ver imagen).



Con su otra mano agarre el mango opuesto y coloque el otro pie en el pedal opuesto (Ver imagen).

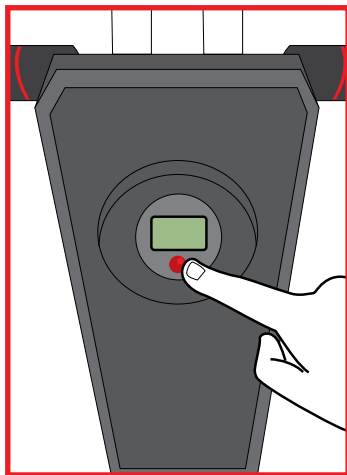


Cuando utilice MaxiClimber® por primera vez y antes de iniciar realmente su entrenamiento, realice algunos movimientos de sube y baja (aproximadamente 2 minutos), para que de esa forma pueda familiarizarse con el aparato y el movimiento. Recuerde que el movimiento alternativo de las piernas no debe tener una extensión total, en todo momento hay que evitar que la base del pedal toque el marco inferior de la máquina. Antes que la base del pie toque el marco inferior de la máquina, debe cambiar de dirección al movimiento ascendente. La idea es realizar un solo movimiento sube y baja con sus brazos y piernas. Una vez que se haya familiarizado puede tomar los manubrios móviles y comenzar el ejercicio.

6. CONTADOR DE PASOS, REPETICIONES Y CALORÍAS

Con el contador de entrenamiento incluido puede contar los pasos totales, su tiempo de entrenamiento y el total de calorías quemadas. El monitor de entrenamiento también lleva el conteo del total acumulado en el aparato.

Antes de comenzar su entrenamiento, reinicie el monitor presionando el botón rojo al menos por 3 segundos hasta que aparezca un "0" en la pantalla (Ver imagen). Una vez que usted lo reinicie, el monitor iniciará automáticamente la sincronización, contando los pasos, las calorías consumidas y se detendrá una vez que deje de mover las piernas. Se reiniciará una vez que las piernas se empiecen a mover de nuevo.

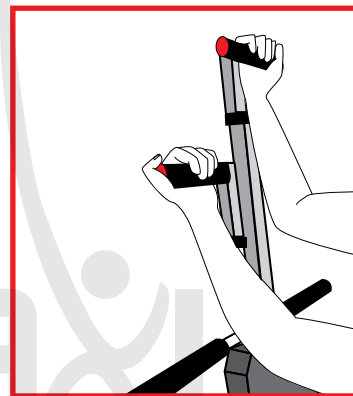


Al apretar:

1. Una vez, el botón contabiliza los pasos durante esa sesión de entrenamiento. Se muestra la siguiente leyenda en pantalla: **CNT**.
2. Dos veces, contabiliza el tiempo de esa sesión de entrenamiento. Se muestra la siguiente leyenda en pantalla: **TMR**.
3. Tres veces, muestra el total de todos los entrenamientos en MaxiClimber®. Se muestra la siguiente leyenda en pantalla: **TOT CNT**.
4. Cuatro veces, muestra las calorías cuantificadas por sesión de entrenamiento. Se muestra la siguiente leyenda en pantalla: **CAL**.

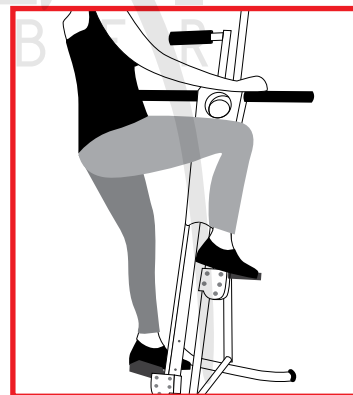
Para reiniciar, mantener apretado 3 segundos

7. OTROS EJERCICIOS



Bíceps

Puede ejercitar sus bíceps sosteniendo el manubrio con las manos viendo hacia usted. Ver imagen.



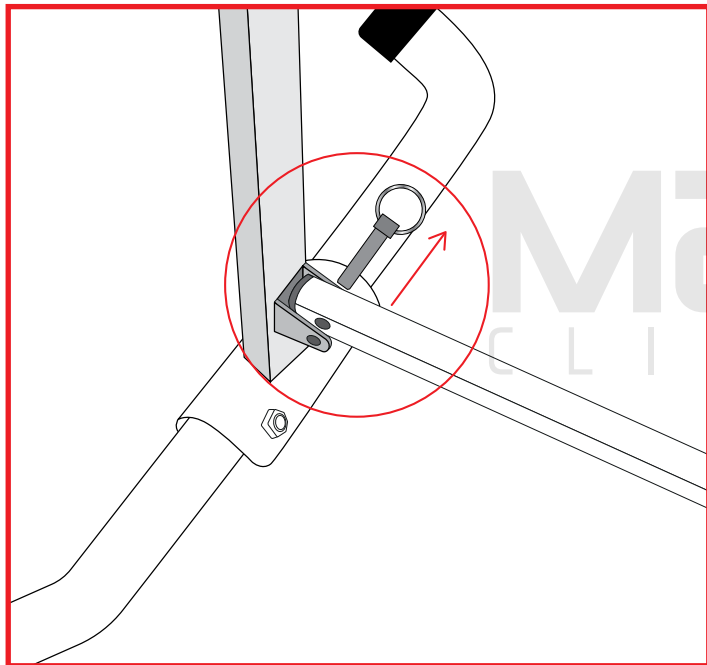
Escalones

Usted puede realizar un entrenamiento de paso simple colocando ambas manos en los manubrios fijos. Ver imagen.

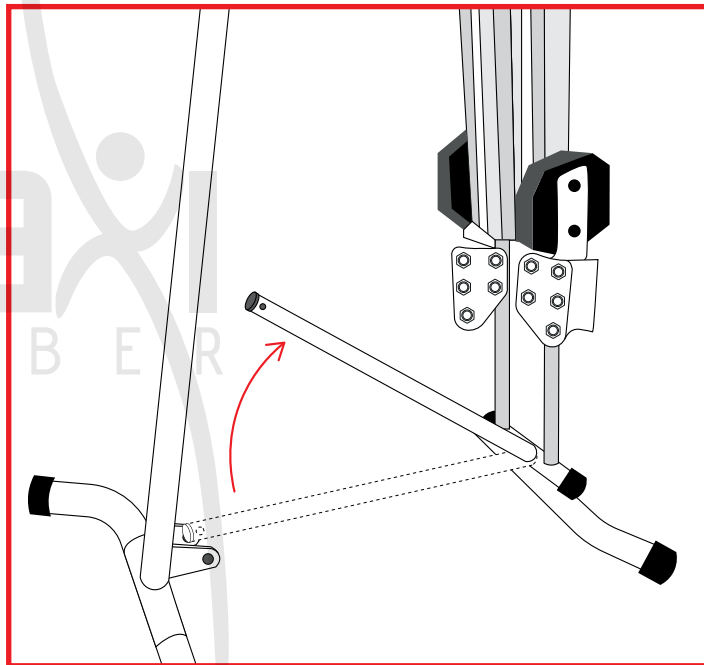
8. ALMACENAMIENTO

MaxiClimber® ocupa muy poco espacio y se puede cerrar fácilmente siguiendo estos pasos:

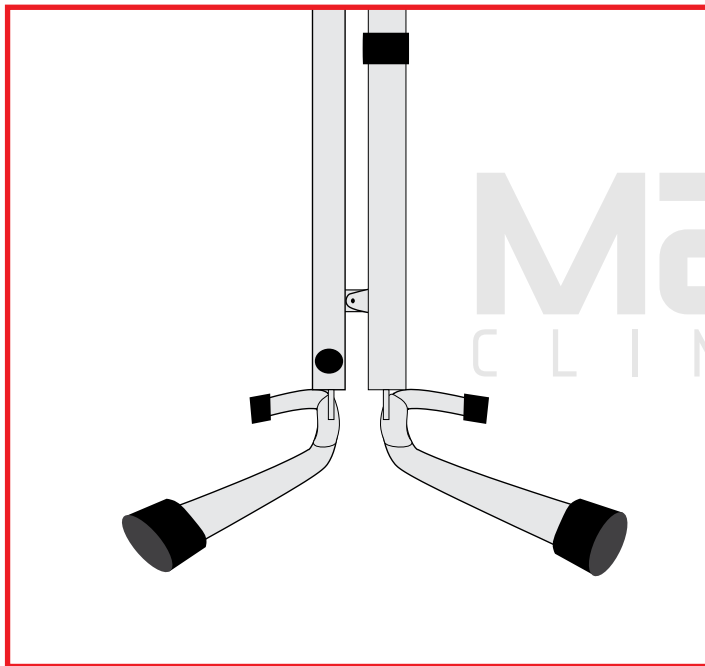
(a) Retire el perno de seguridad (parte F) (Ver imagen).



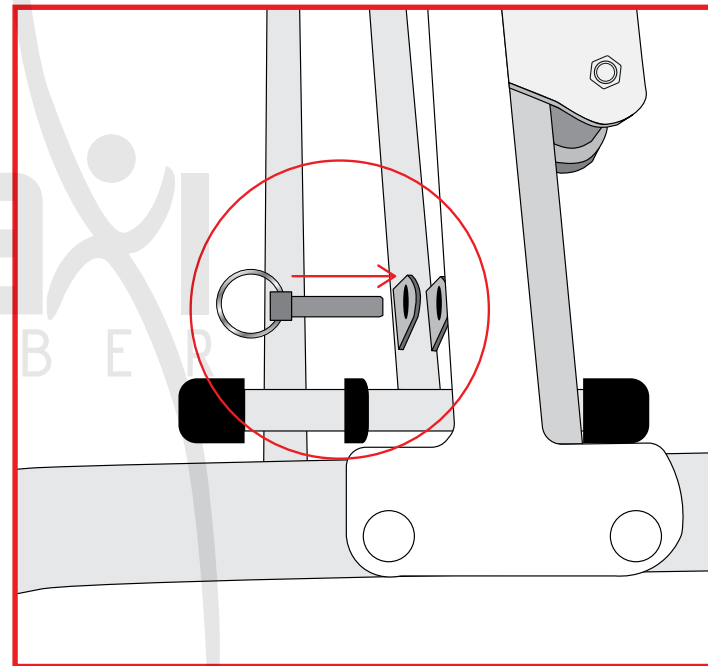
(b) Levante la barra del medio hasta que quede a la mitad de la doble barra frontal y perpendicular al suelo (Ver imagen).



(c) Sostenga la barra posterior y muévela hacia la doble barra frontal hasta que estén paralelas entre sí y perpendiculares al suelo (Ver imagen).



(d) Introduzca nuevamente el perno de seguridad (parte F) (Ver imagen).



Garantía Limitada de MaxiClimber®

Garantía: Inova US ("Inova") garantiza al comprador original de MaxiClimber® ("Cliente"), y sólo al cliente, que MaxiClimber® ("Producto") por el cual el cliente recibió esta garantía, fue diseñado, desarrollado, fabricado y / o ensamblado usando todos los debidos cuidados comerciales y buenas prácticas de manufactura. El producto estará, cuando esté correctamente ensamblado y sea utilizado correctamente, libre de defectos en materiales y mano de obra apto para su propósito diario para que dicho producto sea utilizado durante un (1) año desde la fecha original de su compra. La única obligación de Inova bajo esta garantía es reparar o reemplazar el producto, a opción de Inova. Las obligaciones de Inova con el comprador que a continuación se describen, serán condicionadas hasta que el comprador notifique a Inova del (de los) presunto(s) defecto(s) dentro de los primeros treinta (30) días del descubrimiento del (de los) mismo(s) y sobre el Producto: (I) que vaya a devolver, con flete pre-pagado a Inova en la dirección descrita abajo; (II) que se encuentre defectuoso; (III) que ha sido correctamente ensamblado y utilizado (si es ensamblado y / o usado); y (IV) si ha sido devuelto en el plazo de un (1) año a partir de la fecha de venta al comprador.

Garantía y Aviso de Responsabilidad: INOVA NO HACE ALGUNA(S) OTRA(S) GARANTÍA(S) O REPRESENTACION(ES) DE CUALQUIER TIPO, EXPRESA(S) O IMPLÍCITA(S), EXCEPTO LA DEL TÍTULO, Y TODAS LAS GARANTÍAS IMPLÍCITAS, INCLUYENDO LAS GARANTÍAS DE COMERCIALIZACIÓN Y ADECUACIÓN PARA UN PROPÓSITO PARTICULAR SE DESCONOCEN. No obstante lo anterior, la duración de cualquier garantía o condición de comerciabilidad, adecuación implícita para un propósito particular, o de otra forma, en el producto que se puede haber realizado, estará limitada a la duración de la garantía expresa descrita anteriormente. En ningún caso Inova será responsable por cualquier pérdida, molestia, daño o lesión corporal, ya sean

directos, incidentales, consecuentes o de otra manera, como resultado de la violación de cualquier garantía o condición de comerciabilidad expresa o implícita, de la adecuación para un propósito particular o no con respecto al Producto o del uso del Producto, salvo lo dispuesto en el presente documento. Algunos estados o países no permiten limitaciones en la duración de una garantía implícita y algunos no permiten exclusiones o limitaciones de daños incidentales o consecuentes, por lo que las limitaciones o exclusiones anteriores pueden no aplicarse en su caso. Esta garantía le otorga derechos legales específicos, y usted puede tener otros derechos que pueden variar de un lugar a otro. Esta garantía será interpretada de conformidad con las leyes de los Estados Unidos de América y el Estado de Florida. La versión original en Inglés (significado) de esta garantía controla sobre todas las traducciones; Inova no se hace responsable por cualquier error en traducción de esta garantía y / o las instrucciones del producto. Esta garantía no tiene la intención de conferir ningún derecho legal, jurisdiccional o de garantía adicional para usted distintos de los establecidos en el presente documento o requeridos por la ley. Si alguna parte de esta garantía es considerada inválida o inaplicable por cualquier razón, tal resultado no invalidará cualquier otra disposición.

Garantía de Opciones de Servicio: Para obtener servicio bajo esta garantía usted debe notificar a Inova por escrito dentro de los primeros 30 días para obtener Autorización de Devolución de Mercancía (Returned Merchandise Authorization). Al solicitar su RMA, se debe especificar el producto en cuestión, proporcionando el número de orden.

PARA OBTENER ASISTENCIA EN USA Y SUS TERRITORIOS PONGASE EN CONTACTO CON EN CENTRO DE SERVICIO AL CLIENTE:

POR TELÉFONO: 1-888-433-9083

O POR EMAIL: customerservice@maxiclimber.com

Sitio Web: www.MaxiClimber.com

Todos los gastos de seguros y / o envío incurridos en la devolución de su producto bajo la opción de garantía de devolución de materiales aprobados, son su responsabilidad. Inova no será responsable de los productos perdidos o dañados durante el envío.

Exclusiones de la Garantía: Representantes y agentes de los productos y servicios de Inova no están autorizados a modificar esta garantía de modo alguno. Es responsabilidad del cliente examinar el producto con regularidad para determinar la necesidad del servicio normal o de reemplazo. Esta garantía no cubre los siguientes puntos:

- Productos que han sido modificados, descuidados o con un mal mantenimiento, mal uso, abuso o implicados en accidentes o desastres naturales;
- Los daños durante el envío del producto (las reclamaciones deben presentarse directamente al promotor de la carga o la empresa de transporte);
- Daños en el producto resultante de un inapropiado mantenimiento o reparación, el uso o instalación de piezas y / o accesorios que no sean compatibles con el uso original previsto del producto, o el hecho de no seguir las advertencias y las instrucciones de uso del producto o por cualquier persona que pese más de 240 libras (110 kg);
- Los costos de mano de obra necesarias para eliminar y / o montar y reajustar el producto cubierto por esta garantía; o
- Cualquier producto para el cual el cliente no haya seguido los procedimientos de la garantía descritos anteriormente.

Garantía para otros países, ver hoja anexa.