

cookworks

1.5 litre Glass Blender

Model No. UM 1036



Care & Instruction Manual

For household and indoor use only

Please read these instructions before use and retain for future reference



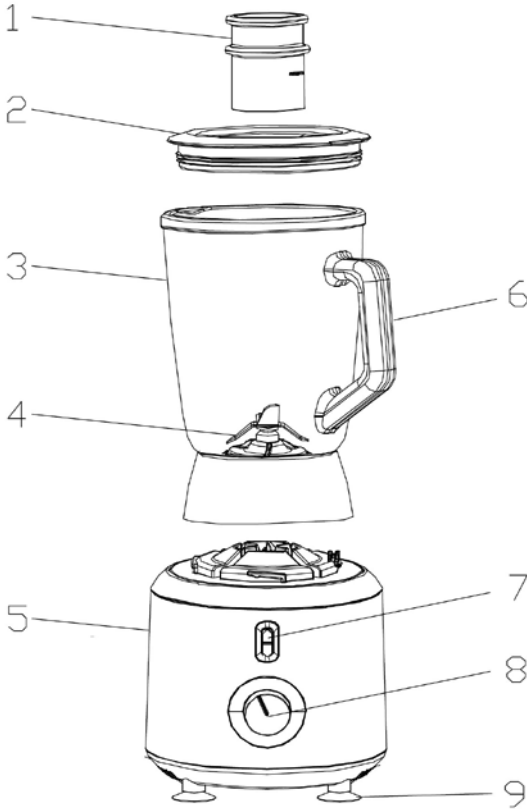
Electrical safety

- You should only plug the appliance into a 220V-240V AC, 50Hz supply. Connecting it to other power sources may damage the appliance and will invalidate the guarantee.
- Switch off and unplug if unattended and before assembling, disassembling or cleaning.
- This appliance shall not be used by children. Keep the appliance and its cord out of reach of children.
- This appliance can be used by persons with reduced physical, sensory or mental capabilities or lack of experience and knowledge if they have been given supervision or instruction concerning use of the appliance in a safe way and understand the hazards involved.
- Children shall not play with the appliance.
- Keep motor housing, cable, and plug dry and away from areas where it is likely to get splashed. Never immerse in water.
- Do not cover or block the ventilation holes.
- Do not pull on the cable to disconnect from the mains supply.
- Do not operate the appliance if damaged or after it malfunctions. In the event the supply cord is damaged, in order to avoid a hazard it must only be replaced by a qualified service engineer, with a suitably approved part.
- This appliance must be positioned so that the plug is accessible and the plug socket is within easy reach of the power cord.

Warning!

- This appliance is intended exclusively for use in domestic households. It is not suitable for commercial use.
- Only use with the parts supplied and fully assembled.
- Never place hands or utensils inside the jug whilst the blender is in use. Only use a scraper when the blender is not in operation.
- Do not cover the blender and allow the motor housing to cool fully before storing.
- Never use hot liquids in the blender jug, always allow liquids to cool to room temperature before blending.
- To avoid personal injury and product damage, take care when handling the glass jug and adding ingredients.
- Glass jugs can shatter if hot ingredients are added. It is recommended that all ingredients are at room temperature when added to the jug. Never add ingredients above 60°C.
- Do not fill above maximum level marked (1500ml) or use without the lid and stopper in place as the contents may be ejected when the blender is started.
- Do not leave unattended during use.
- The blender blades are sharp, take care when emptying the jug and cleaning.
- This appliance can cause personal injury if misused.

Parts



1. Stopper/ measuring cup
2. Lid
3. Glass jug
4. Blades
5. Motor housing
6. Handle
7. Pulse button
8. Speed control knob
9. Suction cup feet

Assembly

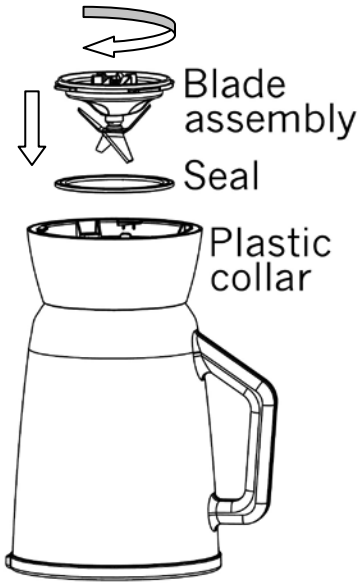


Fig 1

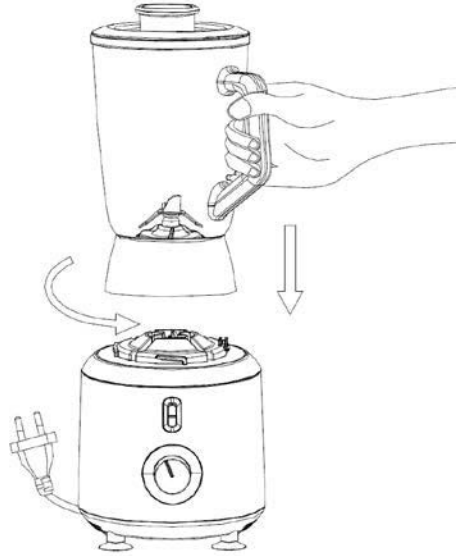


Fig 2

IMPORTANT:

Your blender is equipped with a safety feature, where the blades will not operate unless the base of the jug and motor housing are fully locked.

1. Fit the seal onto the underside of the jug and fit the blade assembly as shown (fig 1.). Turn the blade assembly clockwise to secure.
2. Fit the lid onto the top of the jug (fig 2). To fit the stopper, insert the stopper into the lid and twist clockwise to secure.
3. Align the lugs on the side of the jug with the notches in the motor assembly and turn anticlockwise to secure the jug onto the motor housing (fig. 3).

To use

1. Clean thoroughly before use.
2. Place the blender base on a stable surface, check that the speed control knob is in the OFF (0) position, fully unwind the cable and plug in.
3. Ensure all ingredients are close to room temperature. **Never use hot ingredients as this can cause the glass jug to shatter.**
4. Place the ingredients into the glass jug and check that the level is not above the maximum level marked (1500ml).
5. Fit the lid, secure the stopper and place the jug onto the motor housing.
6. Using the speed control knob, select the appropriate blender speed for your ingredients. A slower mix will be obtained by selecting the lowest speed setting (1) and a faster mix by selecting the highest setting (3).
7. Mix for a **maximum of 1 minute**. If further mixing is required, **wait 30 seconds** before restarting the blender.
8. After a total of 2 x 1 minute cycles, the blender should be rested for 30 minutes.
9. Switch off; allow the blade to stop spinning before checking the consistency of the mix. If satisfactory, remove the jug.
10. To use the blender on pulse, press and hold the pulse button for short intervals. The blender will operate at full speed, when the desired mix is achieved, release the switch.
11. To stop or interrupt the blending process switch the appliance off by turning the speed control knob to OFF (0) or by turning off at the mains.

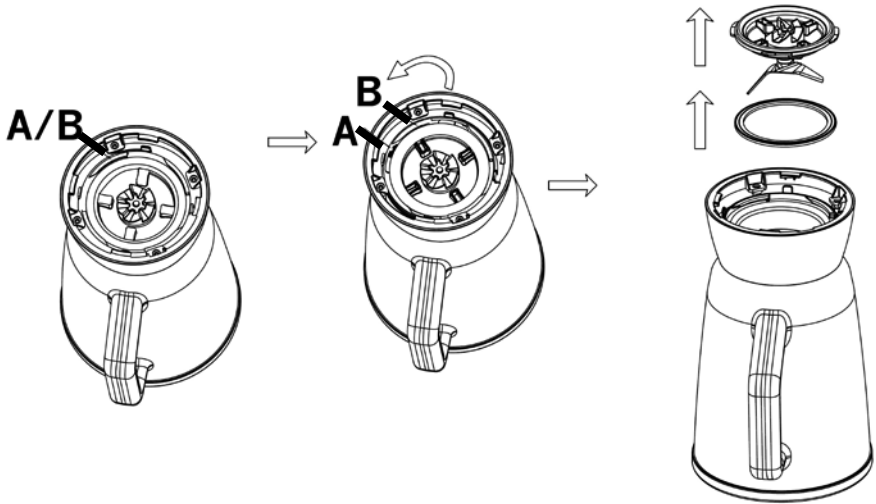
Notes:

- Do not run the blender with the glass container empty or with solids only.
- **Do not use without the seal fitted.**
- For some types of mixes it may be necessary to fill above the minimum (300ml) to obtain the most efficient mixing.
- The stopper is graduated and may be used as a measuring cup.

Cleaning

Clean the blender after each use.

1. Switch off and unplug.
2. The glass jug, lid, stopper, blades and seal may be washed in hot water with a little washing up liquid taking care not to handle the blades. Rinse and wipe dry. Not suitable for dishwashers. **The plastic and the glass sections of the jug cannot be separated.**
3. To remove the blade assembly (not the plastic collar) from the glass jug, firmly grasp the lugs of blade assembly on the underside of the jug. Twist the assembly anti-clockwise to remove. Lift off the silicon seal. **Please note the blade assembly may be difficult to remove the first time.**



4. Wipe the outside of the motor housing with a damp cloth; do not use detergent or abrasives as these may scratch the surface. Never immerse the motor housing, cable or plug in water.

Technical specification

Rated voltage	220-240V AC 50/60Hz
Power consumption	500W
Maximum work time	2 minutes
Class rating	2 (double insulated)
BS 1362 fuse	3A
Capacity	1.5 Litre





PRODUCT GUARANTEE

This product is guaranteed against manufacturing defects for a period of



Year

This product is guaranteed for twelve months from the date of original purchase.

Any defect that arises due to faulty materials or workmanship will either be replaced, refunded or repaired free of charge where possible during this period by the dealer from whom you purchased the unit.

The guarantee is subject to the following provisions:

- The guarantee does not cover accidental damage, misuse, cabinet parts, knobs or consumable items.
- The product must be correctly installed and operated in accordance with the instructions contained in this manual. A replacement copy of this instruction manual can be obtained from www.argos-support.co.uk
- It must be used solely for domestic purpose.
- The guarantee will be rendered invalid if the product is re-sold or has been damaged by inexpert repair.
- Specifications are subject to change without notice.
- The manufacturer disclaims any liability for the incidental or consequential damages.
- The guarantee is in addition to, and does not diminish your statutory or legal rights.

Guarantor: Argos Ltd
489 - 499 Avebury Boulevard
Central Milton Keynes
MK9 2NW
www.argos-support.co.uk