

# Bergen 2 drawer bedside chest

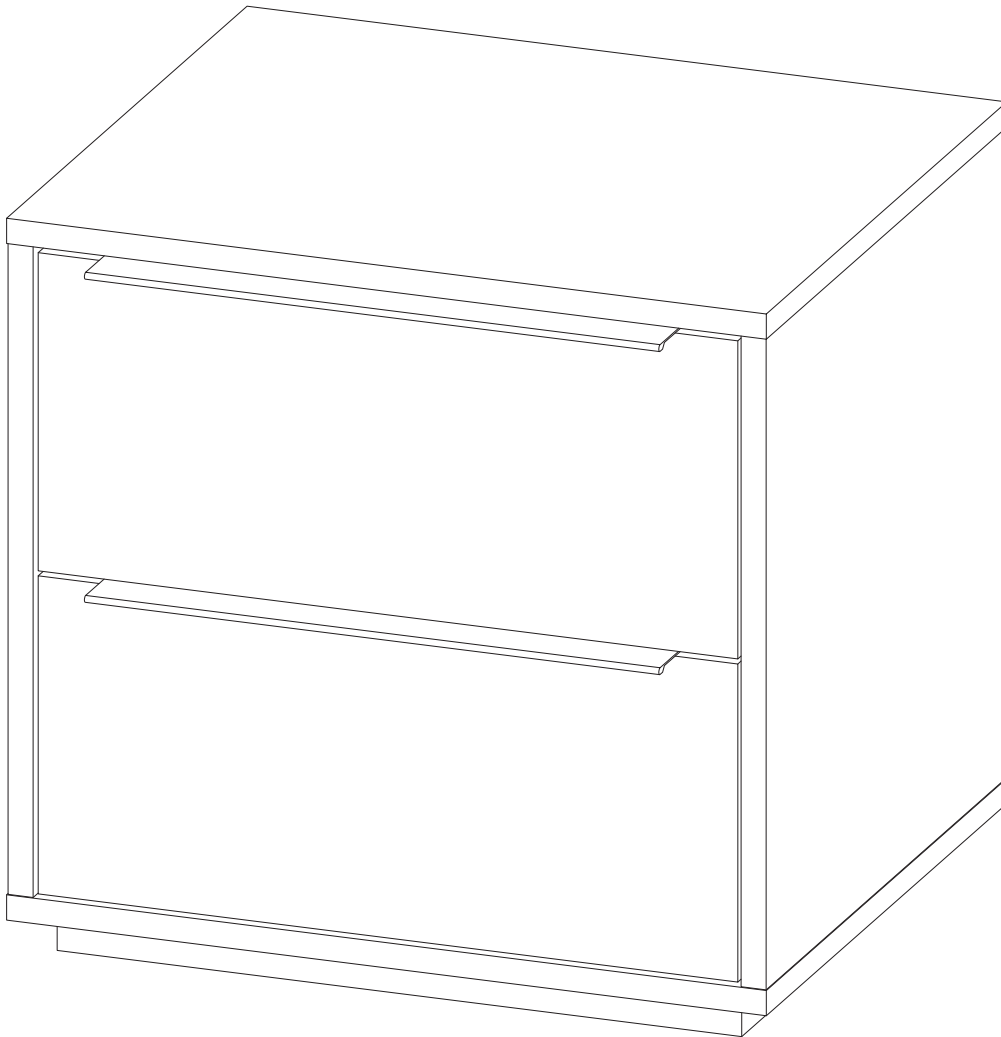
Assembly Instructions Please keep for future reference

241/6757

226/4088

248/5881

**hygena**



## Dimensions

Width - 45.5cm

Depth - 38.1cm

Height - 43.9cm

241/6757 OAK  
226/4088 WHT  
248/5881 WAL

**Tip : To prevent damage, we recommend that you build your unit on the carton(s) it was packed in.**

**Important – Please read these instructions fully before starting assembly**

If you need help or have damaged or missing parts, please visit: [www.argos-support.co.uk](http://www.argos-support.co.uk) or email: [Help@ClickSpares.co.uk](mailto:Help@ClickSpares.co.uk) (quoting your original order number)

Alternatively, call the Spares Helpline on: **0370 112 1928**

For any other queries please contact the Customer Helpline on: **0345 640 2020**

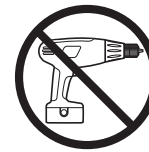


# Safety and Care Advice

**Important** – Please read these instructions fully before starting assembly

- Check you have all the components and tools listed on pages 2 and 3.
- Remove all fittings from the plastic bags and separate them into their groups.
- Keep children and animals away from the work area, small parts could choke if swallowed.
- Make sure you have enough space to layout the parts before starting.

- Do not stand or put weight on the product, this could cause damage.
- Assemble the item as close to its final position (in the same room) as possible.
- Assemble on a soft level surface to avoid damaging the unit or your floor.
- Parts of the assembly will be easier with 2 people.



• To reduce the likelihood of damaging your product please ensure that your power drill is set on a low torque setting.

- Dispose of all packaging carefully and responsibly.

**Glue safety** - Take care when using glue, please follow the advice below

**Skin contact:** Remove contamination by washing with soap and water. This procedure should also be followed prior to eating and drinking.

**Eye contact:** Rinse immediately with clean water for 15 minutes and seek medical advice.

**If swallowed:** Seek medical advice immediately.

**Care and maintenance**

• Only clean using a damp cloth and mild detergent, do not use bleach or abrasive cleaners.

• From time to time check that there are no loose screws on this unit.

• This product should not be discarded with household waste. Take to your local authority waste disposal centre.

**Handy Hints**

• Assemble all parts and bolts loosely during assembly, only once the product is complete should you fully tighten the bolts

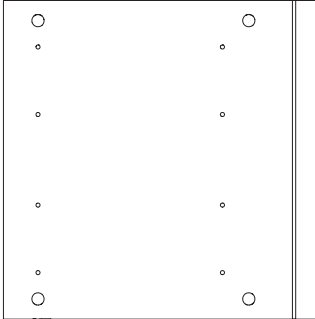
• Regularly check and ensure that all bolts and fittings are tightened properly.

**Note:** if required the next page can be cut out and used as reference throughout the assembly. Keep this page with these instructions for future reference.

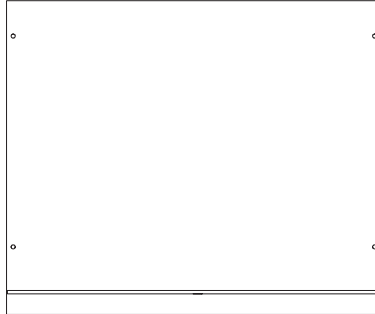
# Components - Panels

For damaged or missing parts, please visit:  
[www.argos-support.co.uk](http://www.argos-support.co.uk) or email: [Help@ClickSpares.co.uk](mailto:Help@ClickSpares.co.uk)

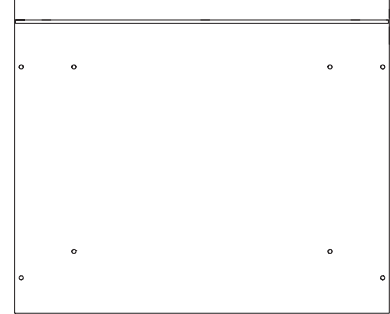
Please check you have all the panels listed below



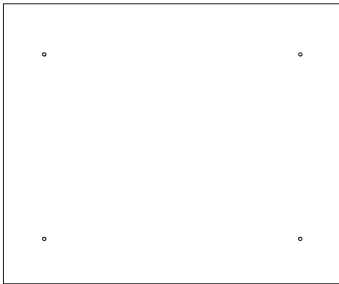
**1** Left & Right Side x 2  
(38.7 x 38cm)  
**P2028**



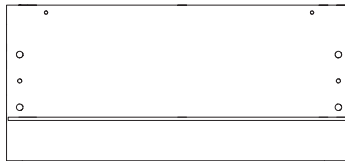
**2** Top  
(45.5 x 38.1cm)  
**P1985**



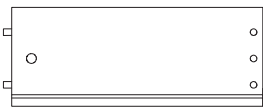
**3** Bottom  
(45.5 x 38.1cm)  
**P1986**



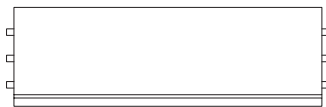
**4** Foot  
(41 x 34cm)  
**P1987**



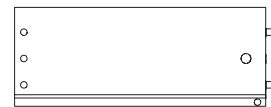
**5** Drawerfront x 2  
(41.9 x 18.8cm)  
**FA4233 / P4233**



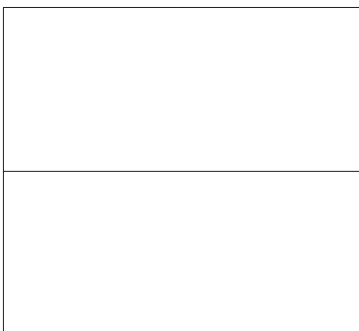
**6** Left Drawer Side x 2  
(30.5 x 12cm)  
**LA163109**



**7** Drawer Back x 2  
(37.4 x 12cm)  
**LA162909**



**8** Right Drawer Side x 2  
(30.5 x 12cm)  
**LA163209**



**9** Foldy Back  
(43.5 x 39.8cm)  
**BO253809**



**10** Drawer Base x 2  
(38.6 x 29.9cm)  
**BO251209**




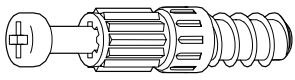
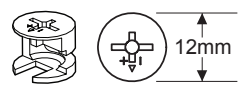

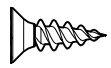
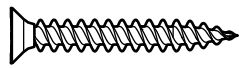
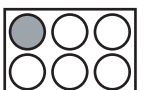



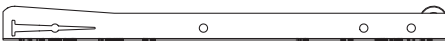

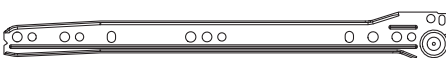
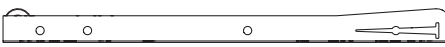
# Components - Fittings

For damaged or missing parts, please visit: [www.argos-support.co.uk](http://www.argos-support.co.uk) or email: [Help@ClickSpares.co.uk](mailto:Help@ClickSpares.co.uk)

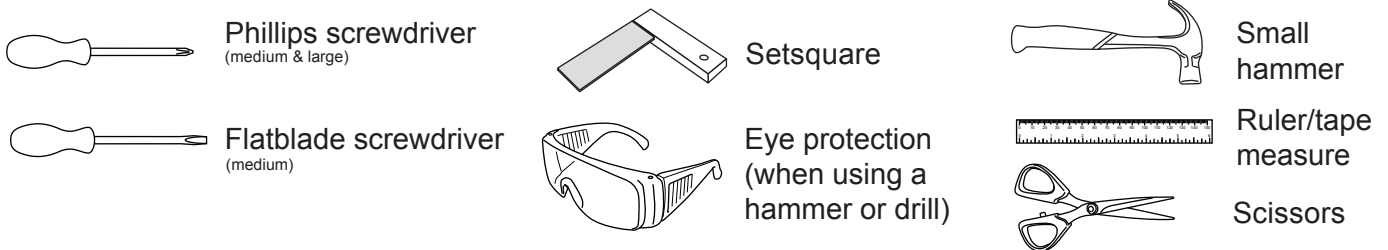
Please check you have all the fittings listed below

Note: The quantities below are the correct amount to complete the assembly. In some cases more fittings may be supplied than are required.

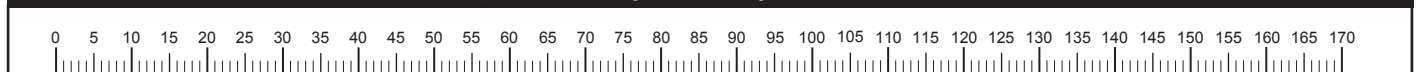
1/1

<p><b>A</b>  <small>FK1012</small></p> <p>Large locking nut x 8 (15x12mm)</p>	<p><b>B</b>  <small>FK1011</small></p> <p>Locking screw x 12 (5x24mm)</p>	<p><b>C</b>  <small>FK1010</small></p> <p>Small locking nut x 4 (12x10mm)</p>
<p><b>D</b>  <small>FK1301</small></p> <p>10mm Fixing screw drawer x 8</p>	<p><b>E</b>  <small>FK1309</small></p> <p>12,5mm Pozi screw x 34</p>	<p><b>F</b>  <small>FK1322</small></p> <p>30mm Chipboard screw x 4</p>
<p><b>G</b>  <small>FK1416</small></p> <p>Felt selfadhesive x 6</p>	<p><b>H</b>  <small>FA1510</small></p> <p>Glue x 1</p>	<p><b>I</b>  <small>FK1250</small></p> <p>Drawerbase support x 16</p>
<p><b>J</b>  <small>PM1516LA</small></p> <p>Runner left part A x 2</p>	<p><b>K</b>  <small>PM1516LB</small></p> <p>Runner left part B x 2</p>	<p><b>L</b>  <small>GR1978</small></p> <p>Drawer handle x 2</p>
<p><b>M</b>  <small>PM1516RA</small></p> <p>Runner right part A x 2</p>	<p><b>N</b>  <small>PM1516RB</small></p> <p>Runner right part B x 2</p>	

## Tools required



## Ruler - Use this ruler to help correctly identify the screws



The screws length is measured from the head to the point (30mm screw shown).

# Assembly Instructions

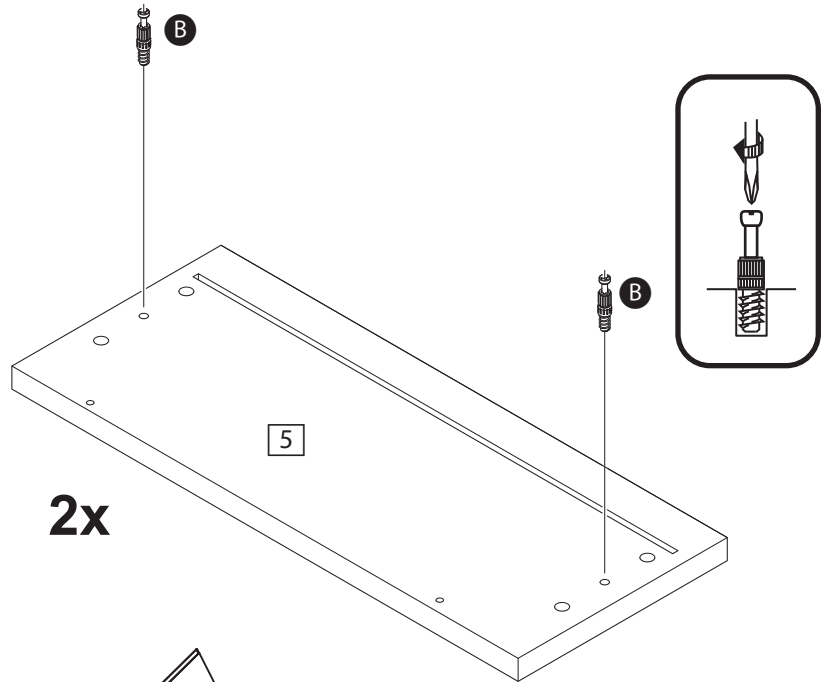
## Step 1

### a: Prepare the drawer fronts

Screw 2 locking screw **B** into the holes shown on the back of each drawer front **5**.

**Note:** Insert locking screw **B** as far as shown. **Do not over tighten.**

a:

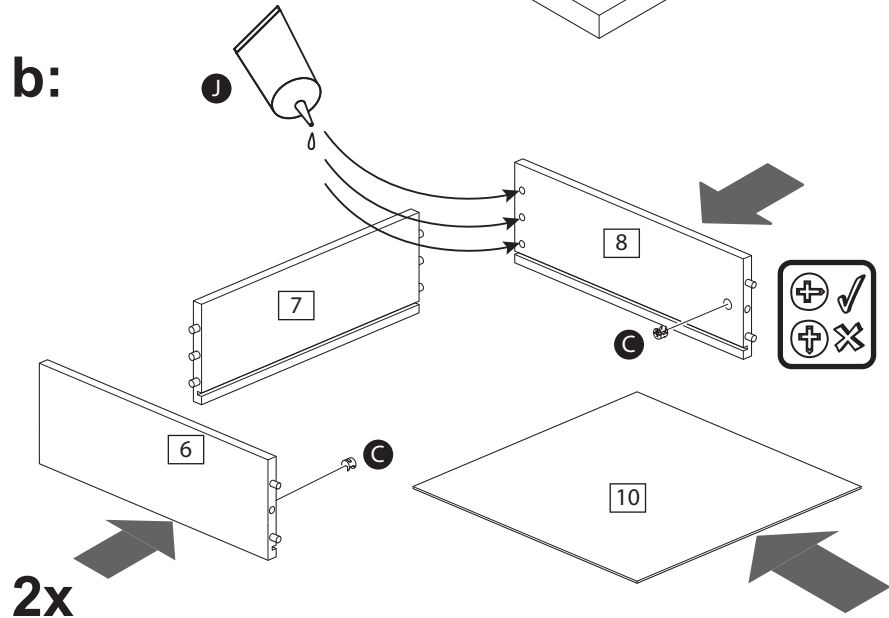


### b: Prepare the drawer sides

Insert a small locking nut **C** into the hole on left drawer side **6** and right drawerside **8**. Make sure the 'arrow' on **C** is pointing towards the hole in the edge of **6** and **8**.

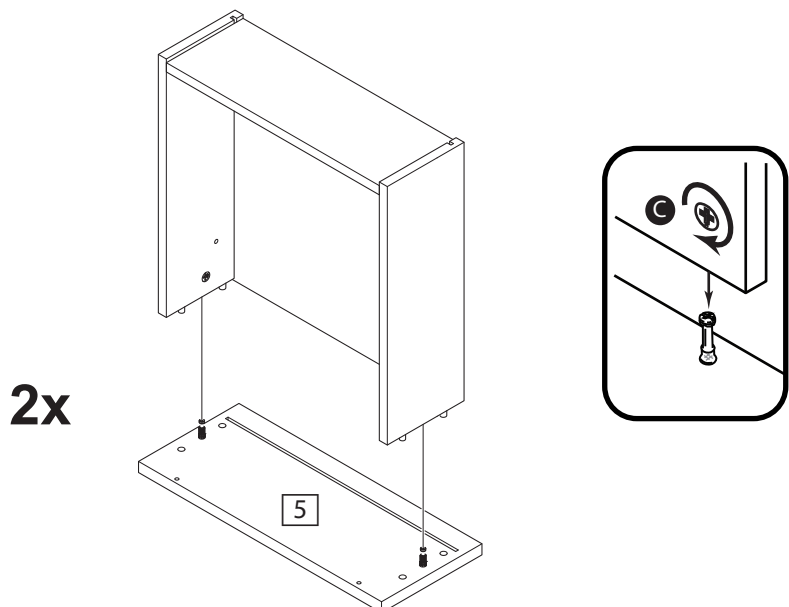
Put drop of glue **J** in the 6 holes of drawersides **6** and **8** before sliding them onto the dowels of drawerback **7**. Slide drawerbase **10** in the grooves of the drawer-unit.

b:



**c:** Turn the drawer wrap assembly over and push onto the drawer front **5**. Use a phillips or flatblade screwdriver, that is a good fit, to turn 24mm locking nut **C** as far as it will go - more than 1/2 turn.

c:



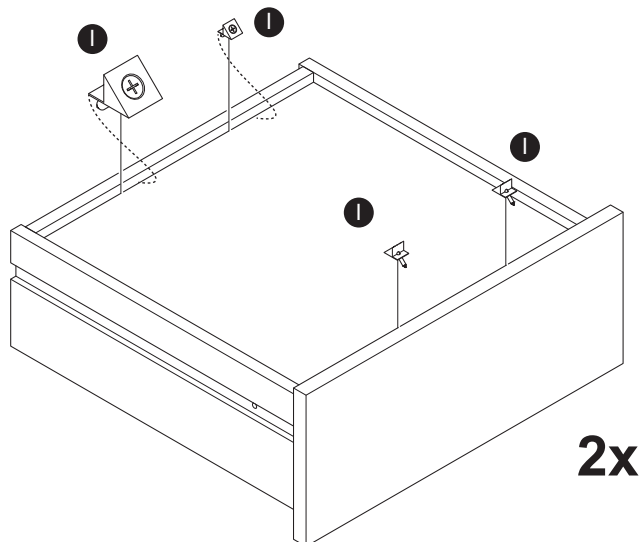
# Assembly Instructions

## Step 1 continued

### finishing the drawers

**d:** Turn over drawer and slide drawerbase supports **l** in corner as shown and fix them, using the attached screws.

**d:**

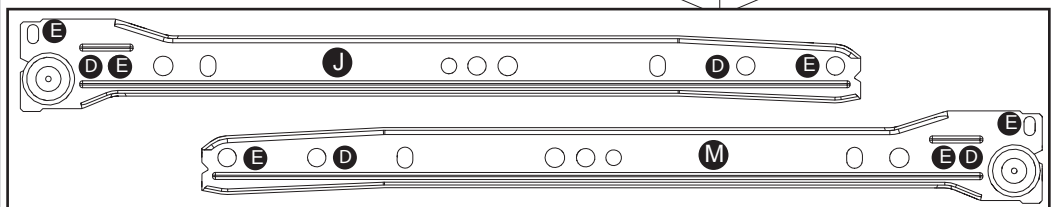
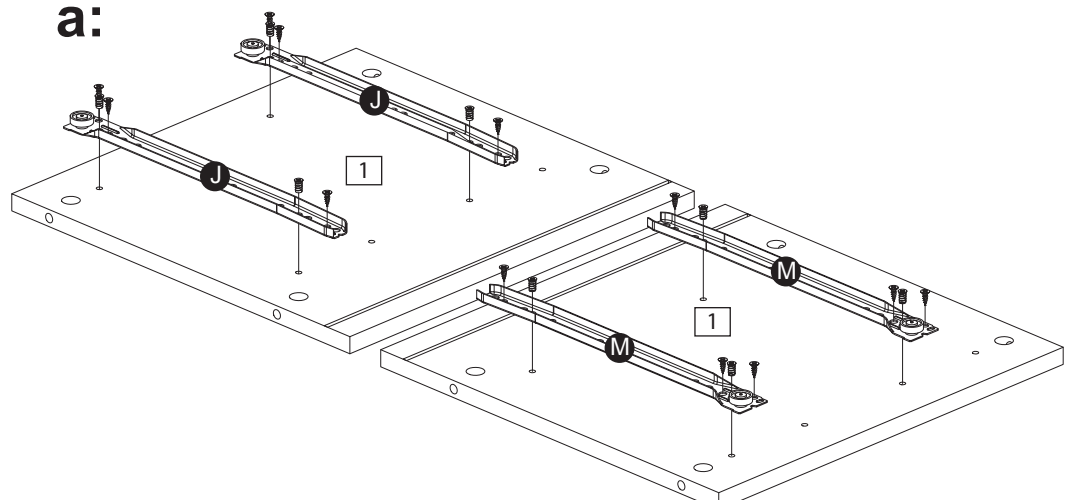


## Step 2

### Attaching runners

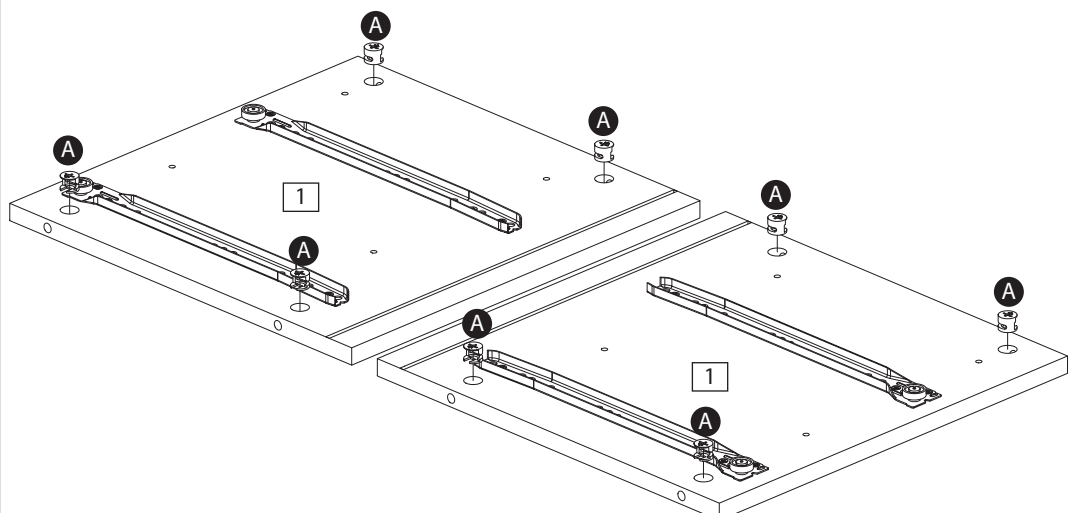
**a:** Fix runner left and right side A **J** and **M** on left & right side **1** as shown using 10mm fixing screw drawer **D** and 12,5mm pozi screw **E**.

**a:**



**b:** Insert 8 Large locking nuts **A** into left & right side **1** where shown. Make sure the 'arrow' on **A** is pointing towards the hole in the edge of **1**.

**b:**



# Assembly Instructions

## Step 3

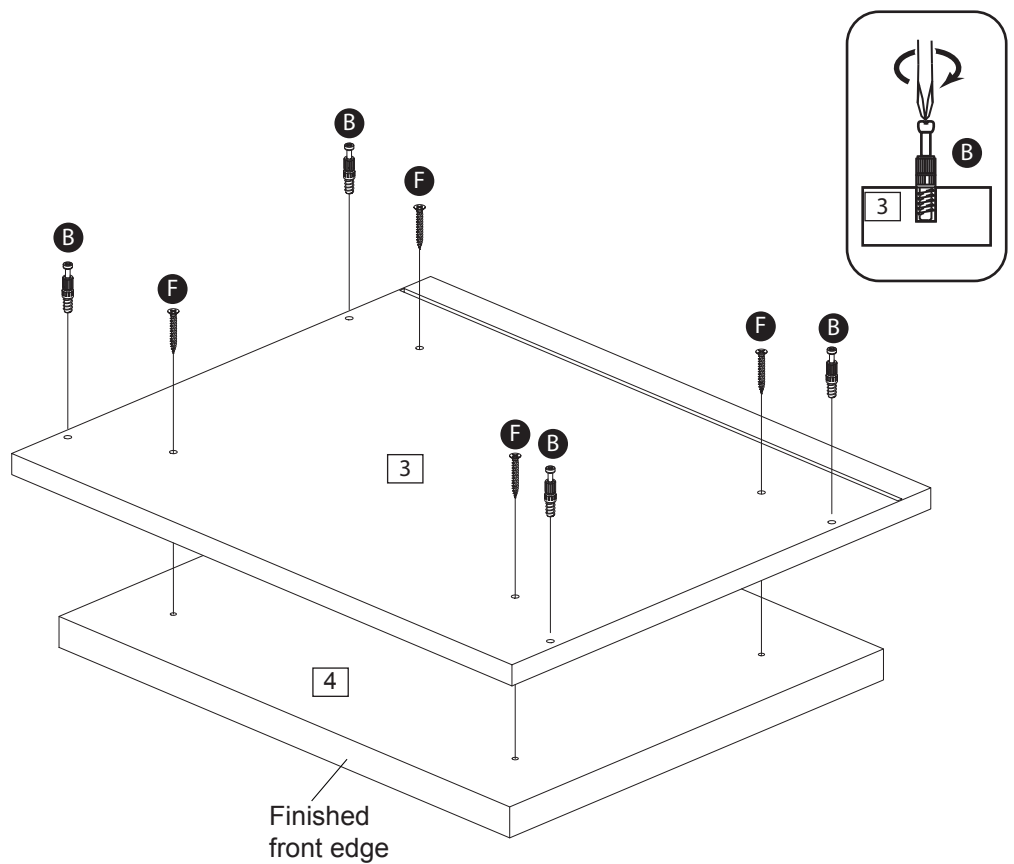
### Attach bottom and foot

Position bottom **3** onto foot **4** and fix with 30mm chipboard screw **F**.

Screw 24mm locking screws **B** into bottom **3**.

**Note:** Insert locking screw **B** as far as shown.

**Do not over tighten.**

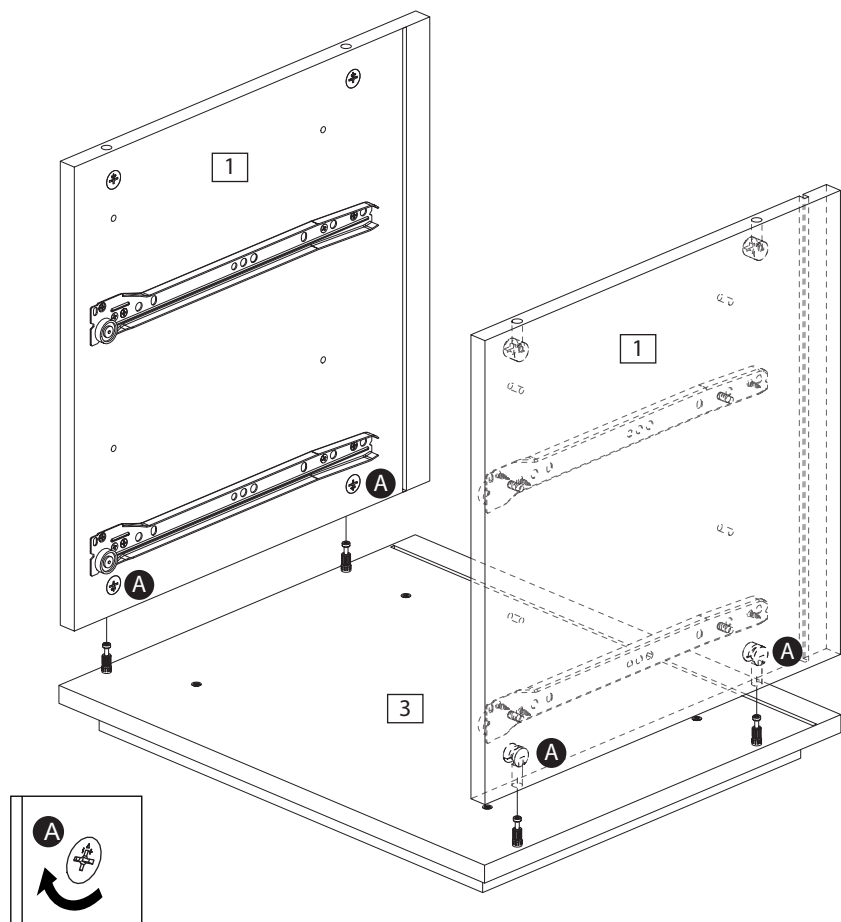


## Step 4

### Attaching left & right side

Position left & right side **1** onto bottom **3**.

Use a screwdriver to turn locking nuts **A** clockwise to lock.

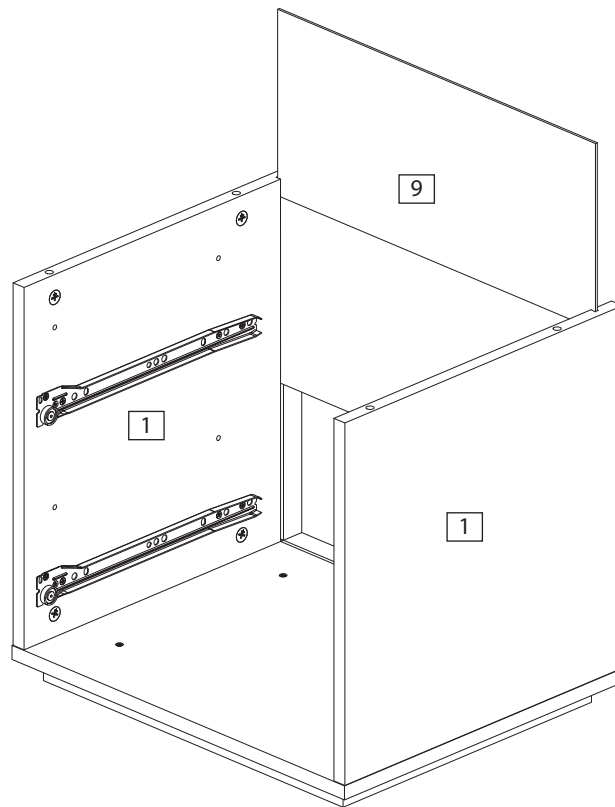


# Assembly Instructions

## Step 5

### Slide in foldy back

Slide foldy back **9** into the grooves in left & right side **1**.



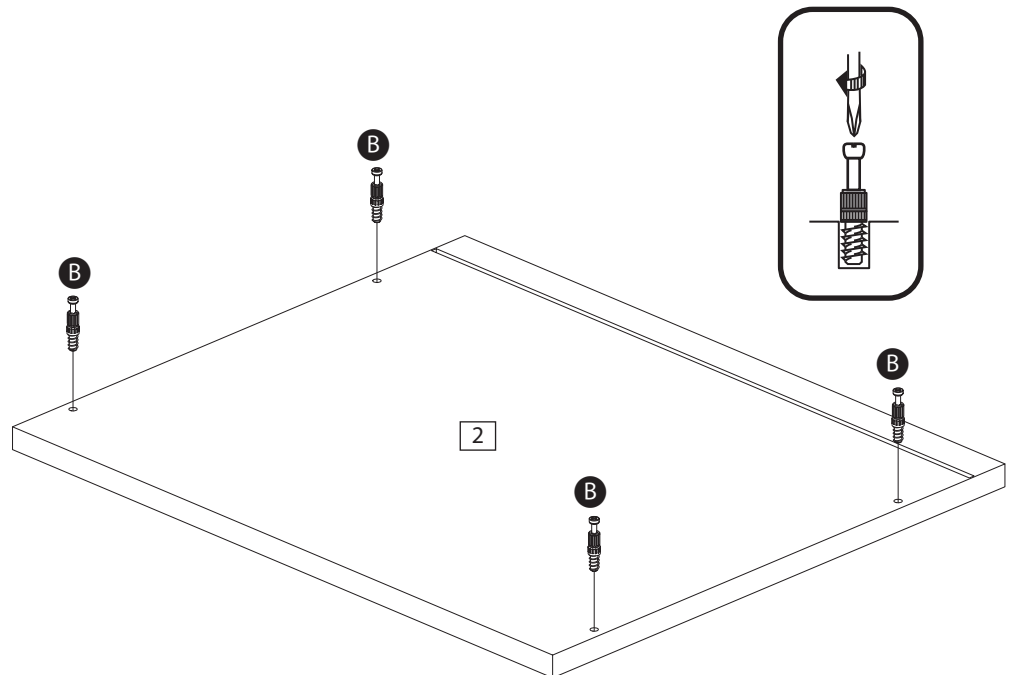
## Step 6

### a: Prepare top

Screw 4 locking screw **B** into the holes shown on top **2**.

**Note:** Insert locking screw **B** as far as shown.

**Do not over tighten.**





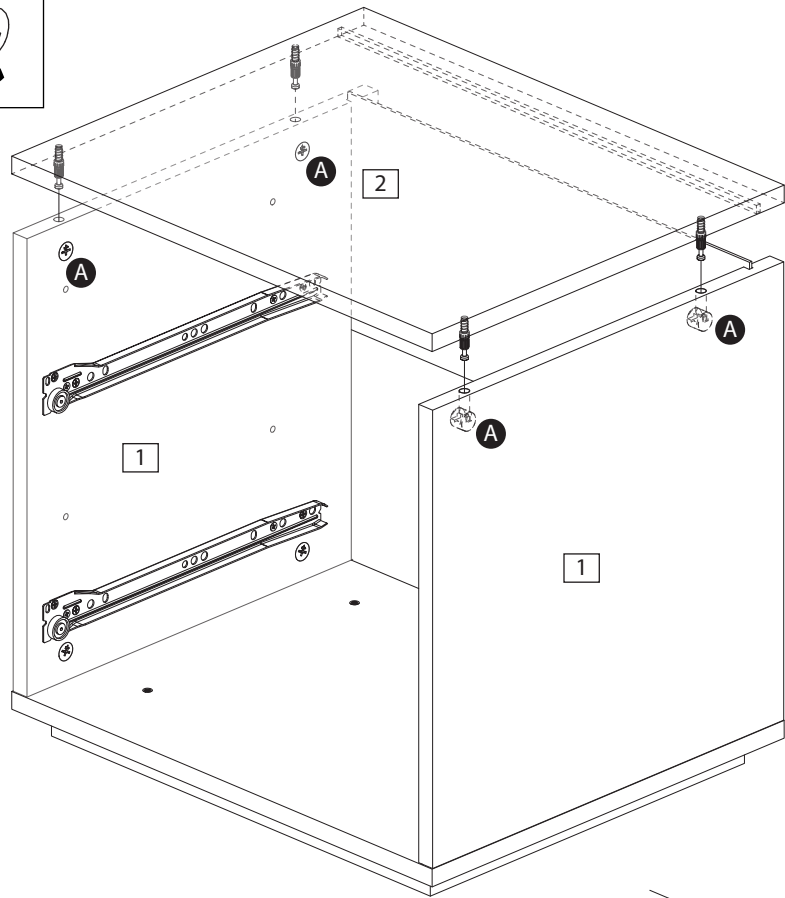
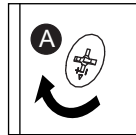
# Assembly Instructions

## Step 6 continued

### b: Attaching top

Position top **2** onto left & right side **1**.

Use a screwdriver to turn locking nuts **A** clockwise to lock.

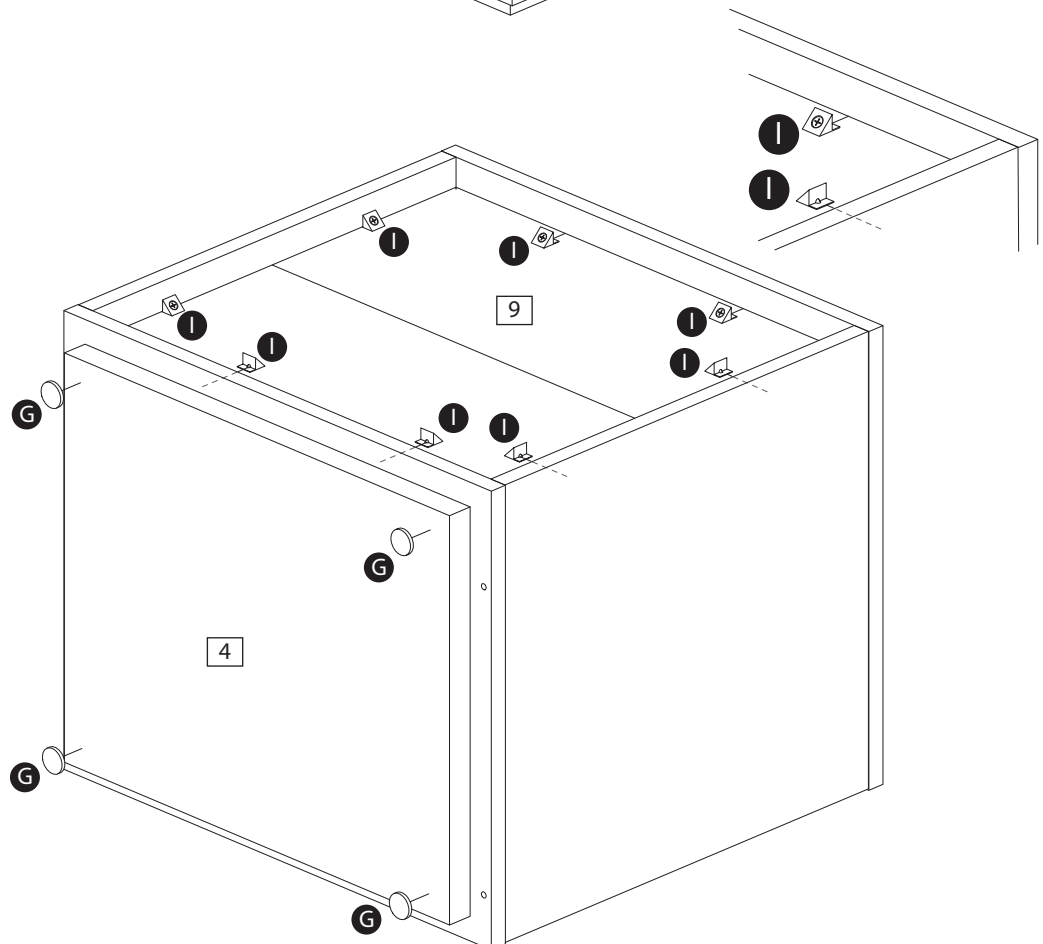


## Step 7

### Fixate foldy back

Turn over chest and slide drawerbase supports **I** in corner as shown and fix them, using the attached screws.

Stick the selfadhesive felt **G** strategically underneath the foot **4**.



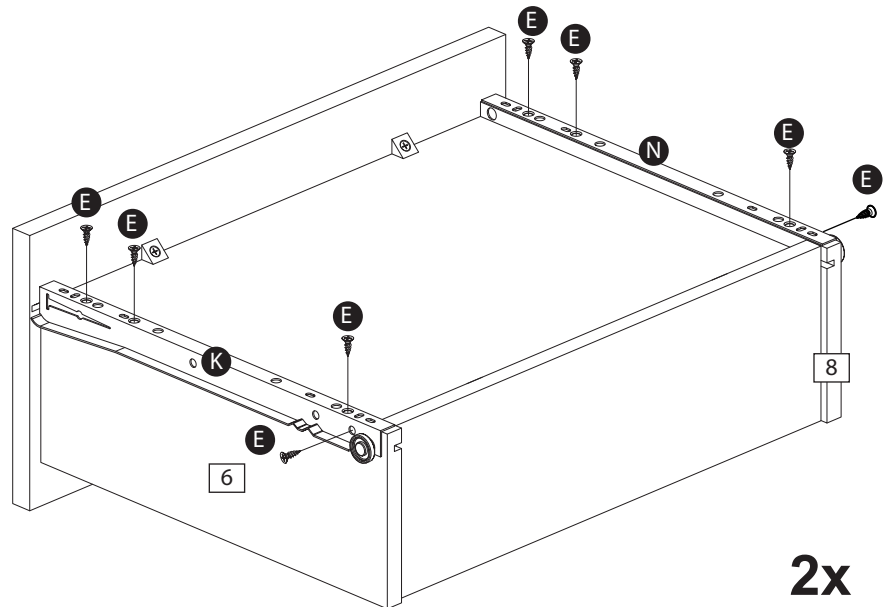
**Important:**  
Chest **MUST**  
be 'square'  
when back is  
attached.

# Assembly Instructions

## Step 8

### Attaching runners

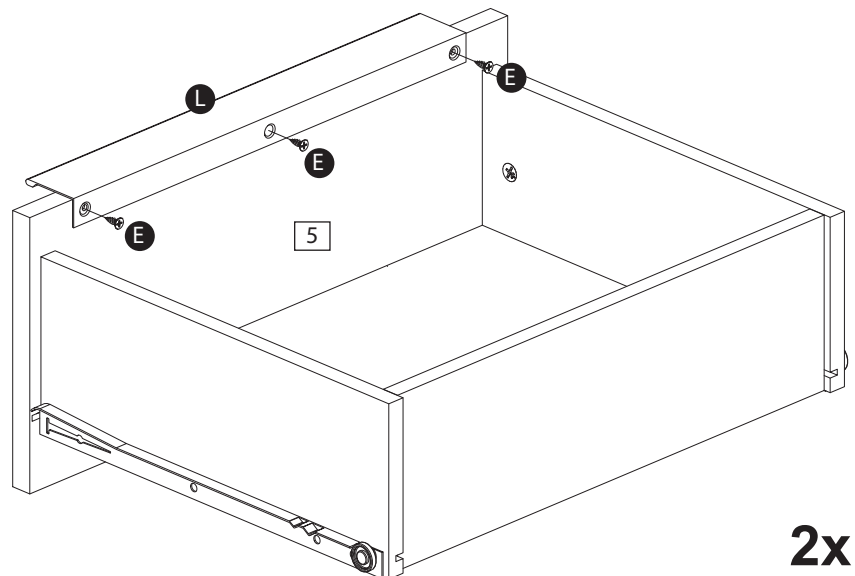
Fix runner left and right side B **K** and **N** on left & right drawer side **6** and **8** as shown using 12,5mm pozi screw **E**.



## Step 9

### Attaching drawer handle

Attach drawer handle **L** on drawer front **5** as shown using 12,5mm pozi screw **E**.



## Step 10

### Inserting drawers

