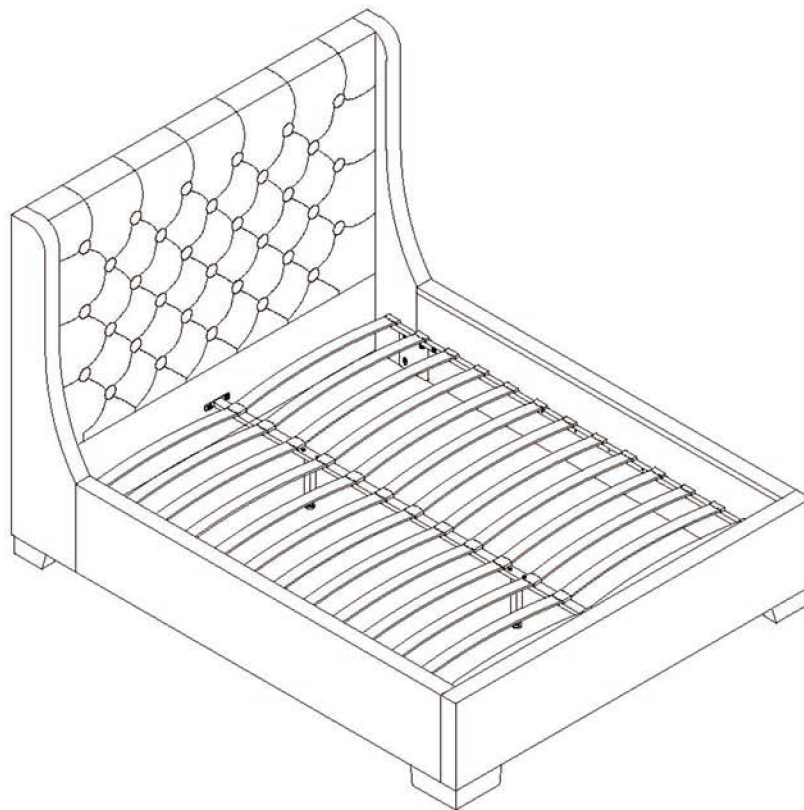


HOME

Levena - 4FT6 Bed

SKU 4988829
SKU 7194328



Care & Instruction Manual

Please read and retain these instructions for future reference

We care about our quality and what you think,
If you have any comments, good and bad,
Please call our Careline **0800 636 262**
Or visit www.sainsburys.co.uk
Your statutory rights are not affected.

Produced in China for
Sainsbury's Supermarkets Ltd,
33 Holborn,
London EC1N 2HT.



Safety and care advice

Important - Please read these instructions fully before starting assembly

- Check you have all the components and tools listed on the following pages.
- Remove all fittings from the plastic bags and separate them into their groups.
- Keep children and animals away from the work area, small parts could choke if swallowed.
- Make sure you have enough space to layout the parts before starting.
- During assembly do not stand or put weight on the product, this could cause damage.
- Assemble the item as close to its final position (in the same room) as possible.
- Assemble on a soft level surface to avoid damaging the unit or your floor.
- Parts of the assembly will be easier with 2 people.
- To reduce the likelihood of damaging your product please ensure that your power drill is set on a low torque setting.
- Improper use of electrical tools will crack the components.
- Dispose of all packaging carefully and responsibly.
- **WARNING!** Contains Silica Gel Desiccant. Discard safely away from babies and children.



Care and maintenance

- Only clean using a damp cloth and mild detergent, do not use bleach or abrasive cleaners.
- From time to time check that there are no loose screws on this unit.
- This product should not be discarded with household waste. Take to your local authority waste disposal centre.

Handy Hints

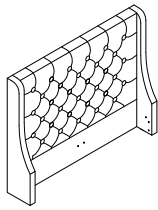
- Assemble all parts and bolts loosely during assembly, once the product is complete you should fully tighten the bolts.
- Regularly check and ensure that all bolts and fittings are tightened properly.

Note: If required, the next page can be cut out and used as reference throughout the assembly. Keep this page with these instructions for future reference.

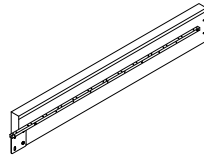
Components - Panels

If you have damaged or missing components, call the Customer Helpline: 03456 400800

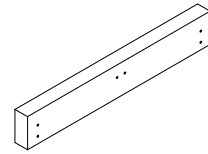
Please check you have all the panels listed below



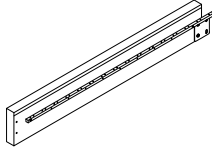
1 Headboard x1(150x117.5cm)



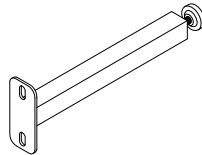
2 Bed side x1(175x33cm)



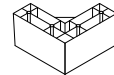
3 Footboard x1(150x33cm)



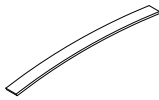
4 Bed side x1(175x33cm)



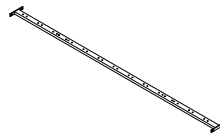
5 Mid leg x2(9.2x4.1x31cm)



6 Foot x4(15x15x7.5cm)



7 Bed slats x26(68.5x5.5cm)

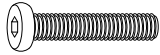


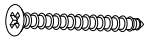
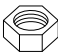
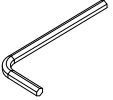

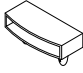

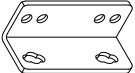
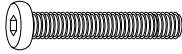


8 Mid bar x1(193x10x2cm)

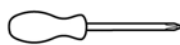
Components - Fittings

Please check you have all the fittings listed below

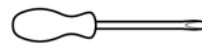
Note: The quantities below are the correct amount to complete the assembly. In some cases more fittings may be supplied than are required.

| | | |
|---|--|--|
| <p>A</p>  <p>Bolt x20(M8x45mm)</p> | <p>B</p>  <p>Spring Washer x12(Ø13xØ8.6x1.5mm)</p> | <p>C</p>  <p>Washer x14(Ø19xØ8.4x1.5mm)</p> |
| <p>D</p>  <p>Screw x16(Ø4*60mm)</p> | <p>E</p>  <p>Nut x4(M8*13*6.5mm)</p> | <p>F</p>  <p>Allen key (M5*40*100mm)</p> |
| <p>G</p>  <p>Plastic mid caps x13</p> | <p>H</p>  <p>Plastic end caps x26</p> | <p>I</p>  <p>Open spanner (85*26*T2.0mm)</p> |
| <p>J</p>  <p>Corner Bracket x2(130*47*47mm)</p> | <p>K</p>  <p>Bolt x2(M8x55mm)</p> | |

Tools required



Phillips screwdriver
(medium & large)



Flatblade screwdriver
(medium)

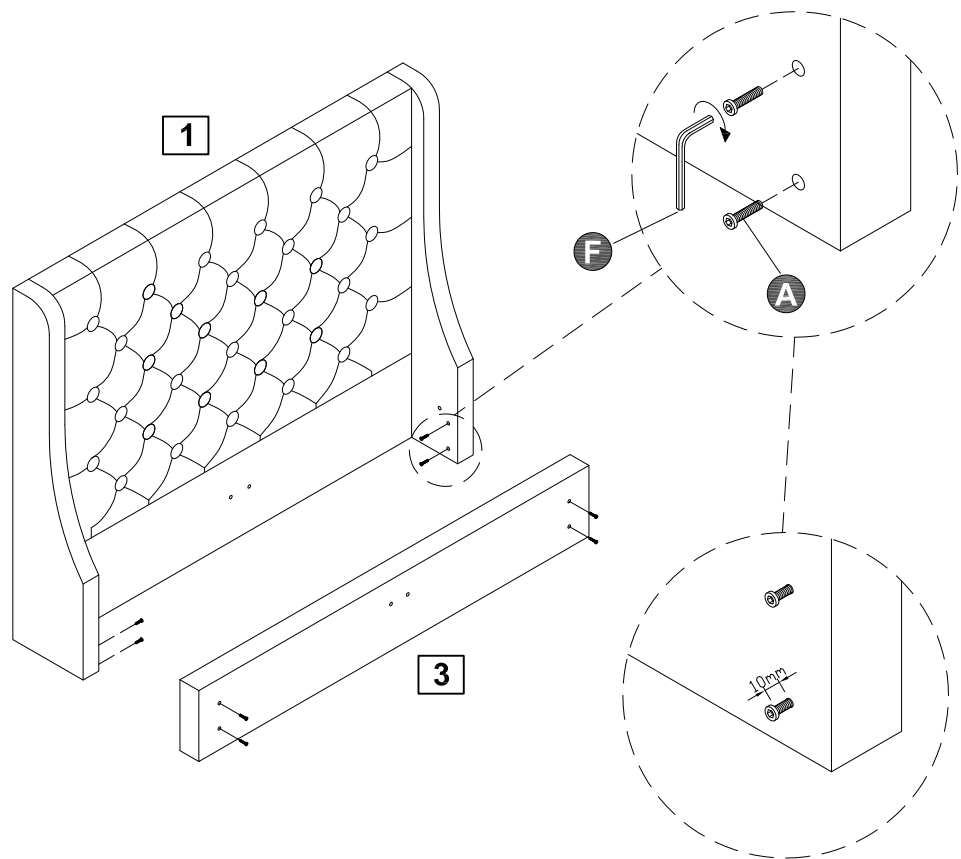
Ruler - Use this ruler to help correctly identify the screws

0 5 10 15 20 25 30 35 40 45 50 55 60 65 70 75 80 85 90 95 100 105 110 115 120 125 130 135 140 145 150 155 160 165 170

Assembly Instructions

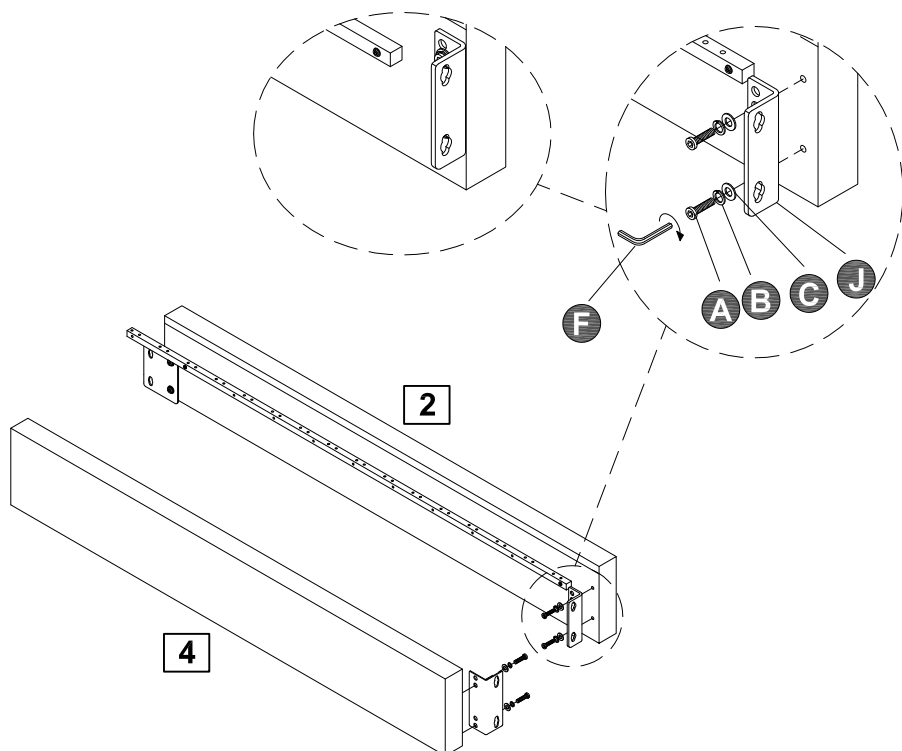
Step 1

Screw bolts **A** using Allen key **F** onto the headboard **1** and footboard **3** as shown, and remember to keep 10mm outside.



Step 2

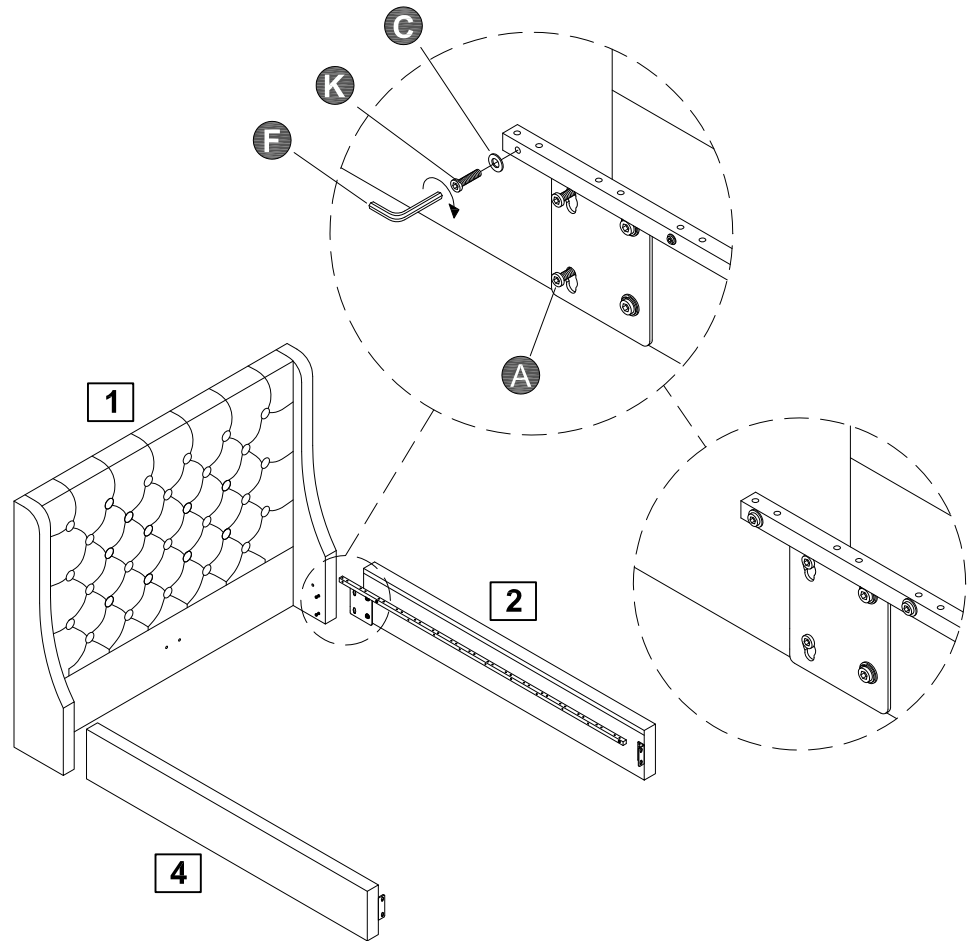
Attach the corner brackets **J** onto the bed side **2** and **4**, with bolts **A**, spring washer **B** and washer **C** use Allen key **F**.



Assembly Instructions

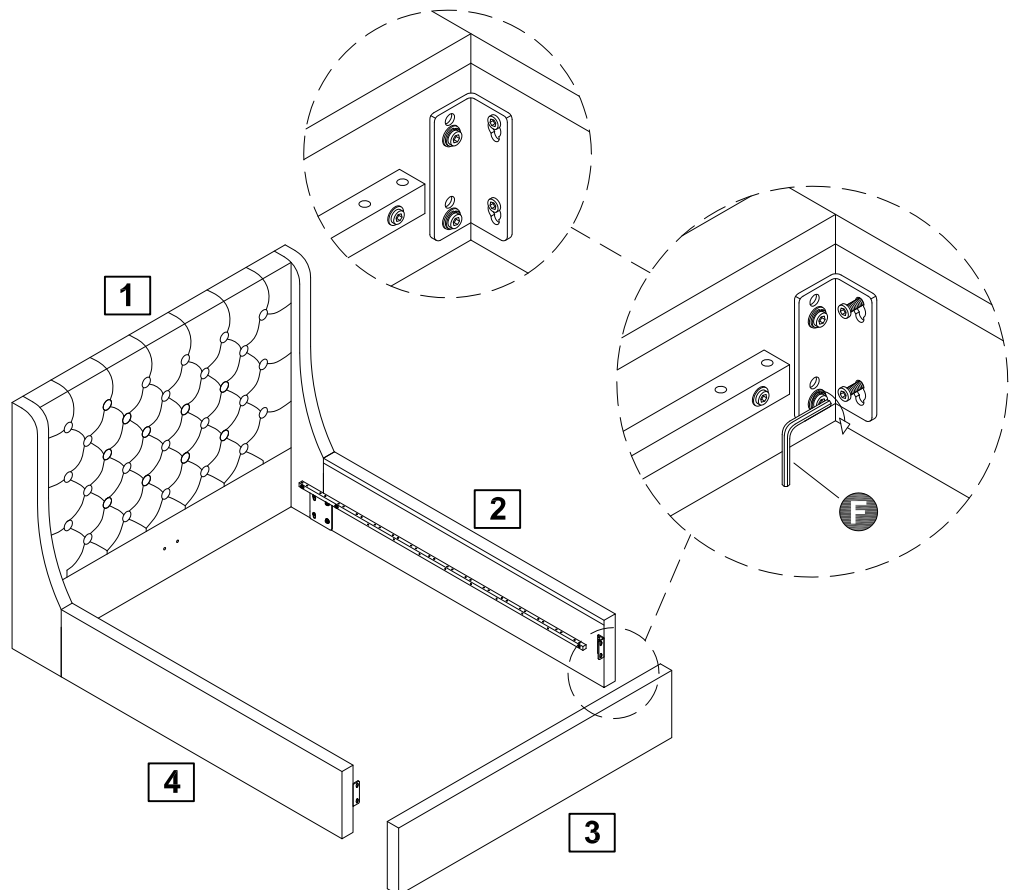
Step 3

Connect the bed side **2** and **4** onto headboard **1** then fix the bolts **A** tightly with Allen key **F**. Then use bolt **K** and washer **C** to fix the support rails to the headboard **1** as shown.



Step 4

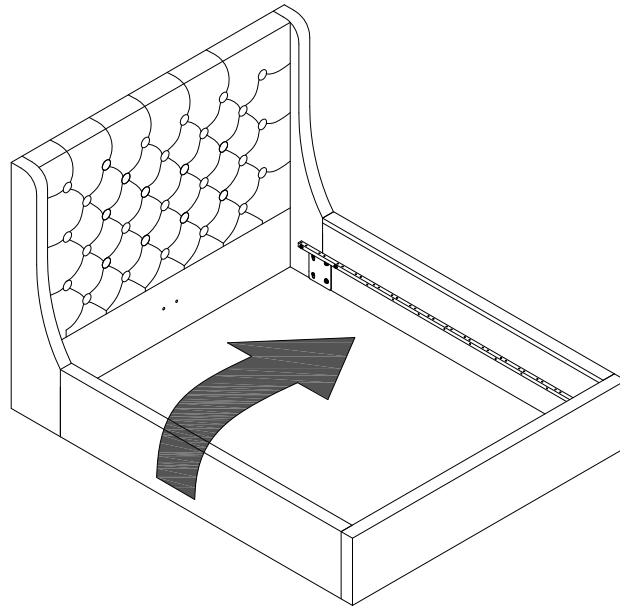
Connect the footboard **3** to the bed side **2** and **4** and then fix the bolts tightly.



Assembly Instructions

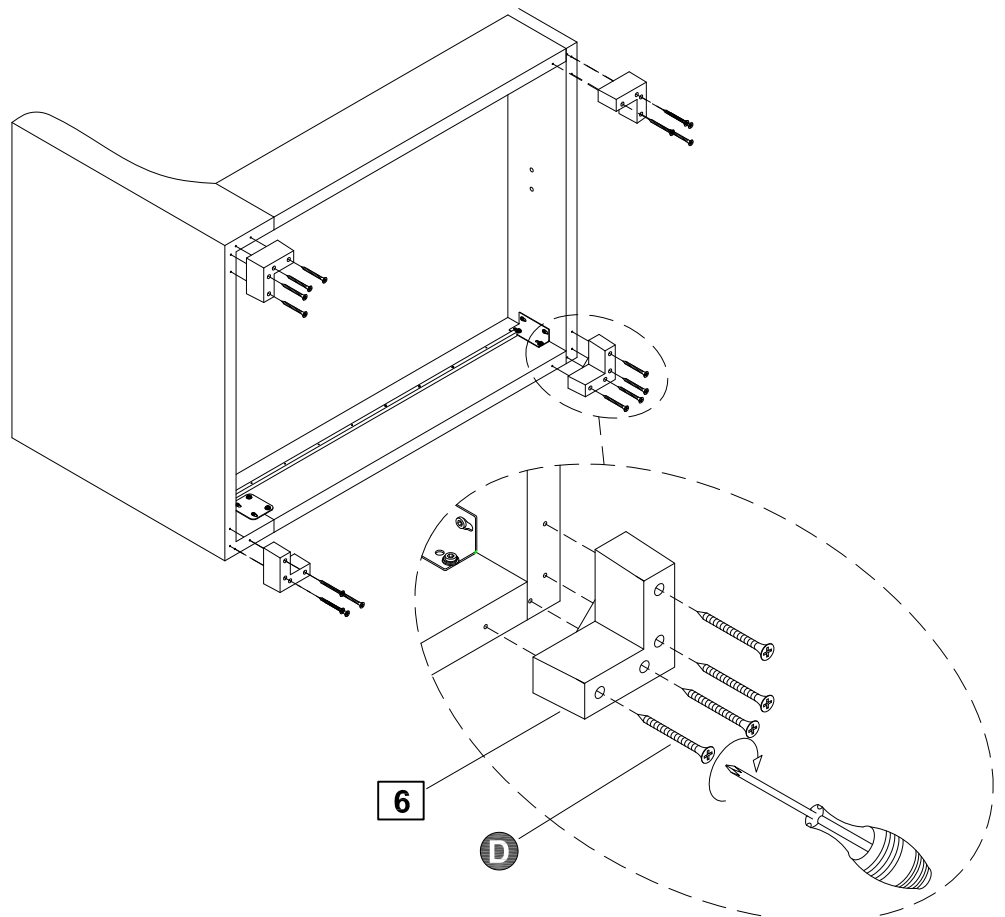
Step 5

Lift up the connected frames, then lay one of the sides on the floor for assembling feet.



Step 6

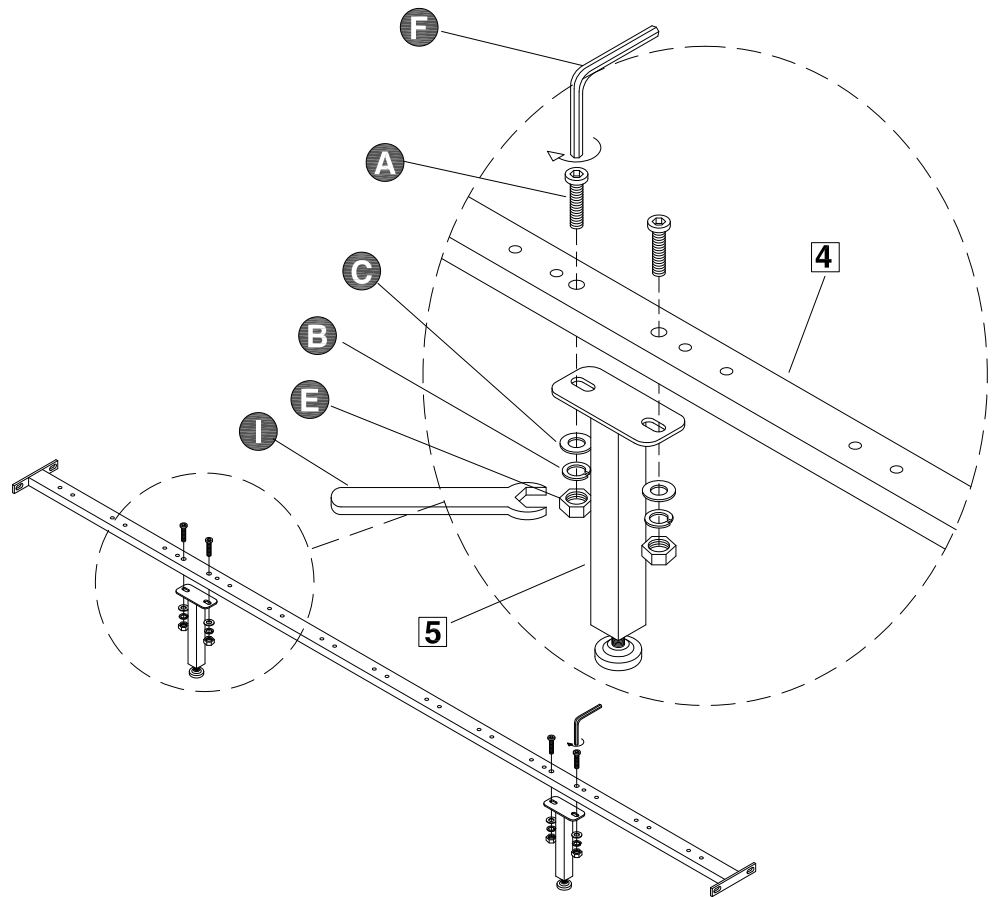
Use wood screws **D** to fix the foot **6** as shown. Then turn the bed back after all feet are well fixed.



Assembly Instructions

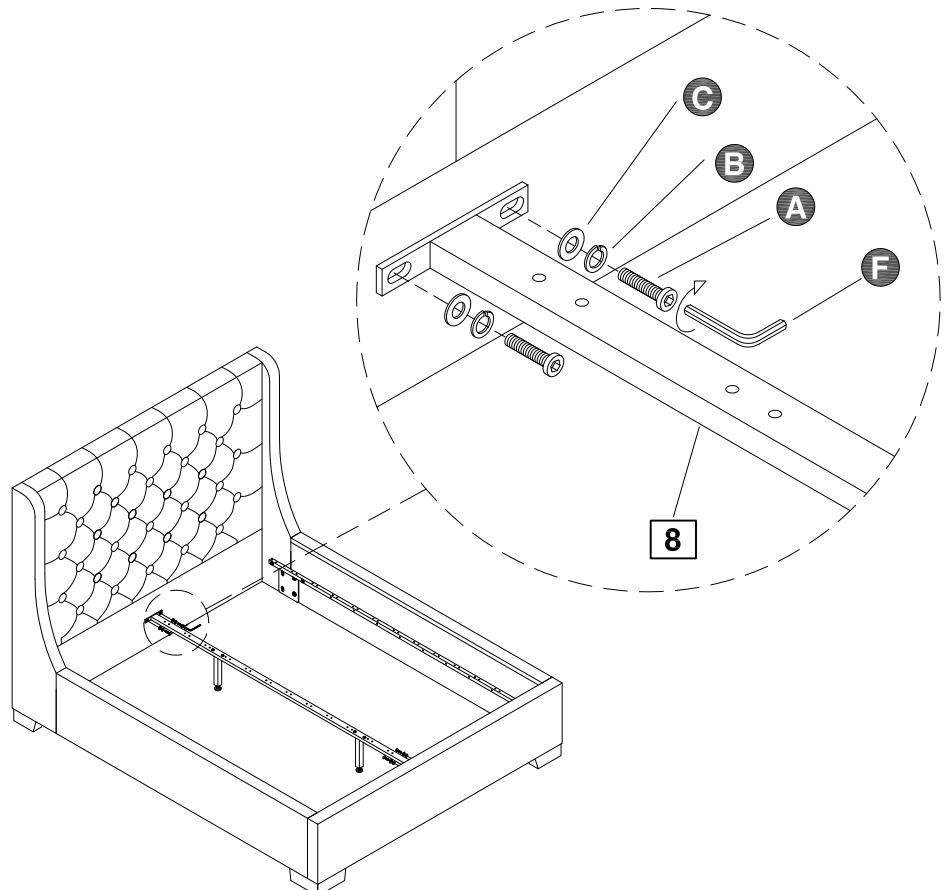
Step 7

Use **A** **C** **B** and **E** to assemble the support legs **5** as shown, and use both **F** and **I** to tighten it.



Step 8

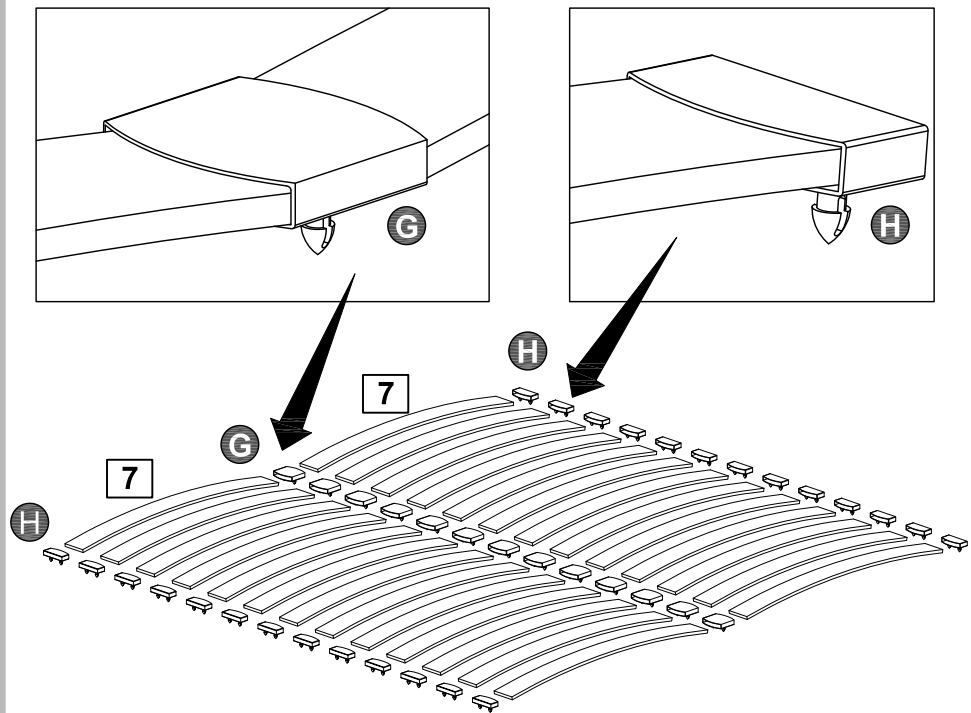
Attach the mid bar **8** onto headboard **1** and footboard **3** by using bolt **A** spring washer **B** and washer **C** and tighten the bolts.



Assembly Instructions

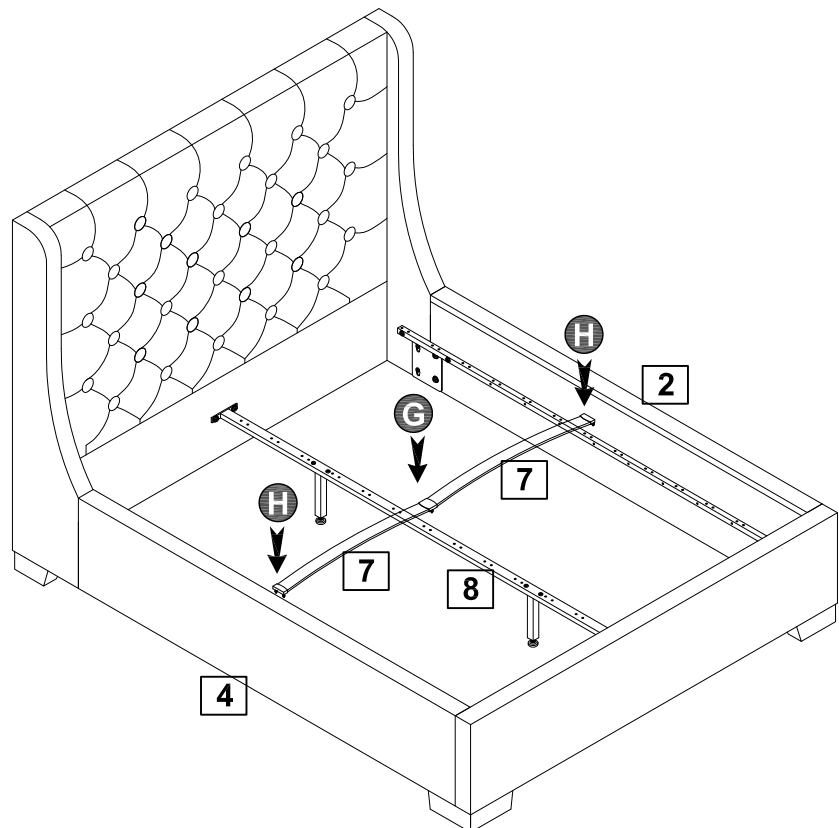
Step 9

Place the plastic mid caps **G** and the plastic end caps **H** onto the slats **7** as shown.



Step 10

Insert plastic mid caps **G** and plastic end caps **H** onto bedside **2**, **4** and mid bar **8** as shown.



Assembly is complete .