

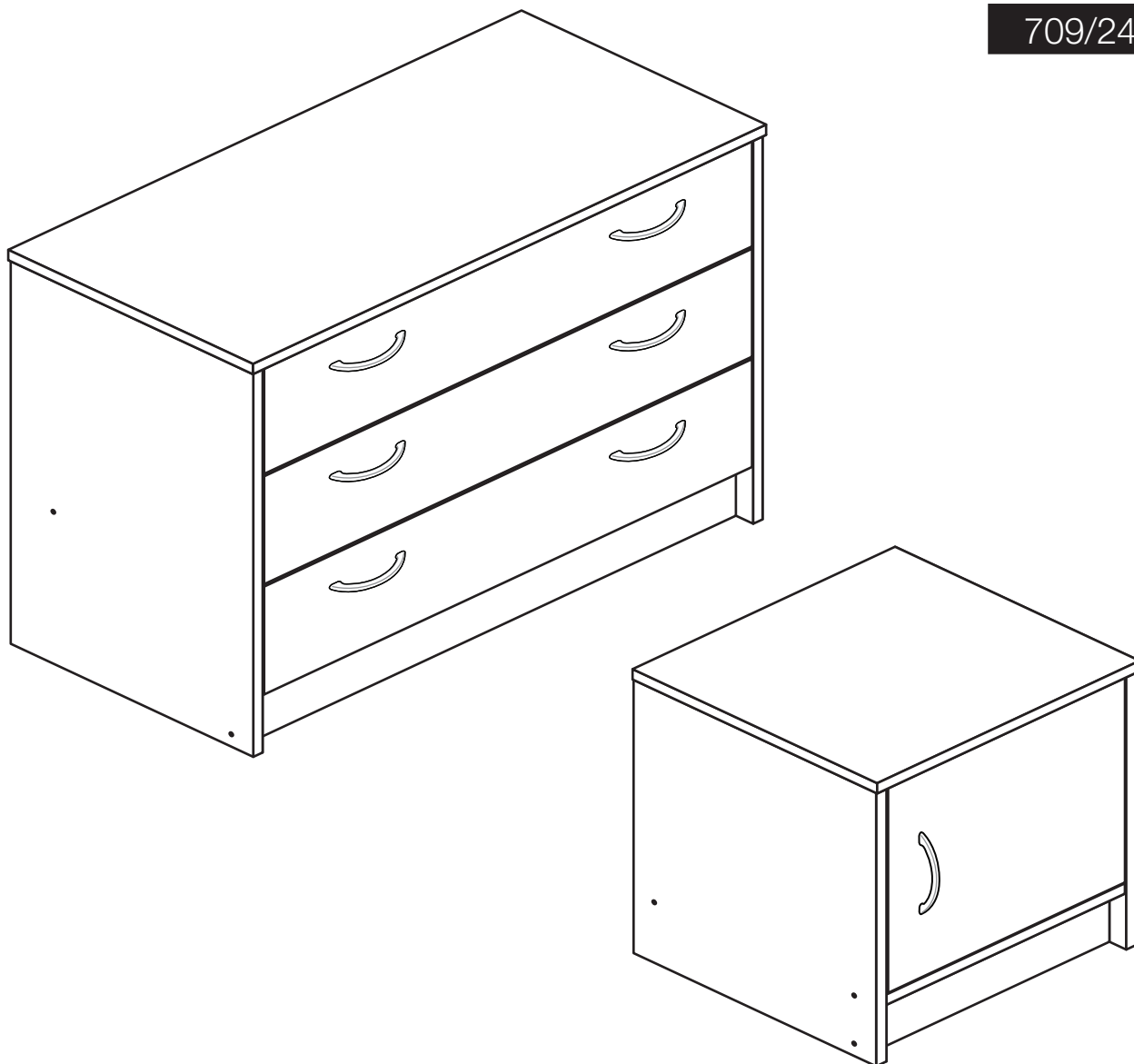
Mix and Match - Chests

Assembly Instructions - Please keep for future reference

709/0219

709/2482

709/2475



Chest Dimensions

Width - 75cm

Depth - 36cm

Height - 57.5cm

Bedside Dimensions

Width - 38.5cm

Depth - 36cm

Height - 41.5cm



**MADE IN
BRITAIN**

Important - Please read these instructions fully before starting assembly

If you need help or have damaged or missing parts, call the **Customer Helpline: 08456 400800**



Safety and Care Advice

Important - Please read these instructions fully before starting assembly

- **Warning:** These units weigh approximately 21kgs. Please lift with care.
- Check you have all the components and tools listed on pages 1, 2 and 3.
- Remove all fittings from the plastic bags and separate them into their groups.
- Keep children and animals away from the work area, small parts could choke if swallowed.
- Parts of the assembly will be easier with 2 people.

- Make sure you have enough space to layout the parts before starting.
- Do not stand or put weight on the products, this could cause damage.
- Assemble the items as close to their final position (in the same room) as possible.
- Assemble on a soft level surface to avoid damaging the units or your floor (use opened out unit carton).



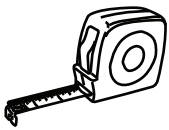
• We do not recommend the use of power drill/drivers **for inserting screws**, as this could damage the units. Only use hand screwdrivers.

- **Safety note:** If there is any chance of these units being pulled over by children etc. it is recommended that the units are secured to a wall using suitable fixings (not supplied).
- Dispose of all packaging carefully and responsibly.

Care and maintenance

- Only clean using a damp cloth and mild detergent, do not use bleach or abrasive cleaners.
- From time to time check that there are no loose screws on this unit.
- This product should not be discarded with household waste. Take to your local authority waste disposal centre.

Tools required



Rule



Cross-head screwdriver



Scissors



Hammer



Eye protection (when using a hammer or drill)



Electric drill (do not use for fitting screws)

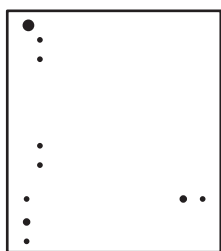
Note: If required the next page can be cut out and used as reference throughout the assembly. Keep this page with these instructions for future reference.

Components - Panels

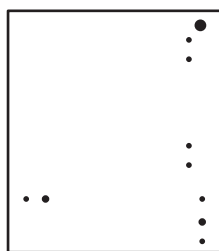
If you have damaged or missing components, call the **Customer Helpline: 08456 400800** quoting the reference numbers below

Please check you have all the panels listed below

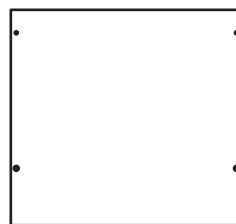
1 Door Bedside (follow steps 1 to 14)



1 Left Side (D0888A)
(399 x 353mm)



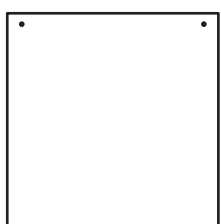
2 Right Side (D0889A)
(399 x 353mm)



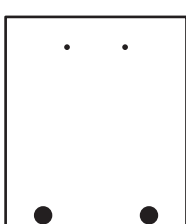
3 Top (D0020A)
(382 x 356mm)



4 Plinth (D0022A)
(349 x 80mm)



5 Base (D0625A)
(349 x 351mm)

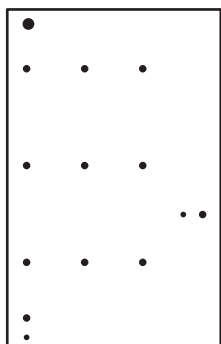


6 Door (D0890A)
(299 x 345mm)

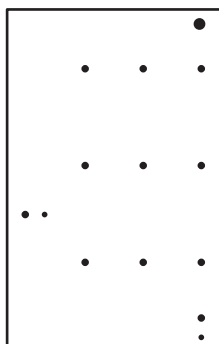


7 Back (X811)
(331 x 373mm)

3 Drawer Chest (follow steps 15 to 25)



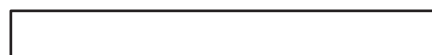
8 Left Side (D0013A)
(560 x 353mm)



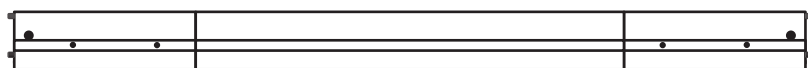
9 Right Side (D0014A)
(560 x 353mm)



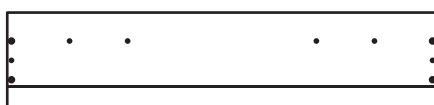
10 Top (D0015A)
(747 x 356mm)



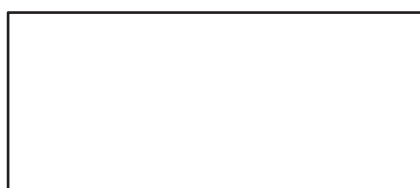
11 Plinth (D0017A)
(714 x 80mm) x 2



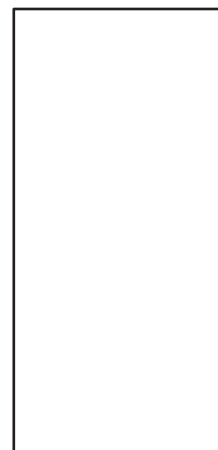
12 Large Drawer Wrap (W162)
(1308 x 95mm) x 3



13 Drawer Front (D0887A)
(710 x 157mm) x 3



14 Large Drawer Base (T162)
(695 x 299mm) x 3



15 Back (X810)
(738 x 359mm)

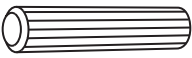
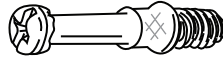
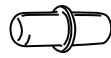
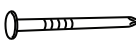





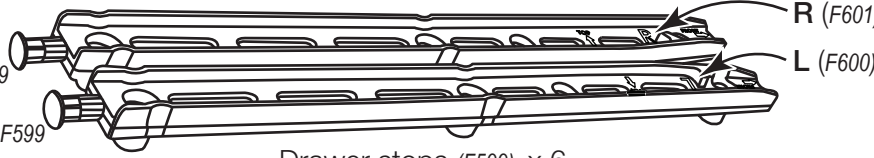
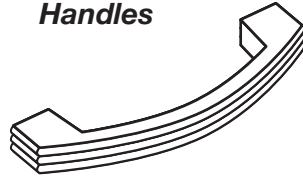


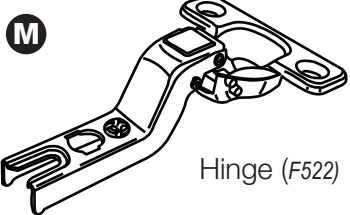


Components - Fittings

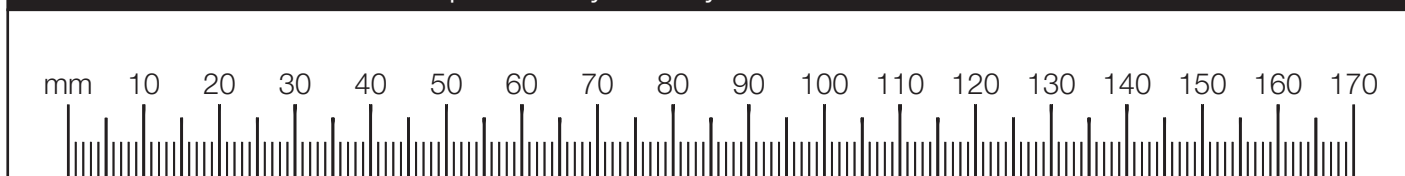
If you have damaged or missing components, call the **Customer Helpline: 08456 400800** quoting the reference numbers below

Please check you have all the fittings listed below

Note: The quantities below are the correct amount to complete the assembly. In some cases more fittings may be supplied than are required.

| | | |
|--|---|---|
| <p>A </p> <p>Wooden dowel (F22) x 12</p> | <p>B </p> <p>Metal dowel (F901) x 10</p> | <p>C </p> <p>Door stop (F110) x 1</p> |
| <p>D </p> <p>Nail (F51) x 25</p> | <p>E </p> <p>Small locking nut (F3) x 6</p> | <p>F </p> <p>Large locking nut (F900) x 4</p> |
| <p>G </p> <p>40mm Screw (F910) x 10</p> | <p>H </p> <p>25mm Screw (F50) x 14</p> | <p>I </p> <p>13mm Screw (F63) x 4</p> |
| <p>J </p> <p>Drawer stops (F599) x 6 Runners (F600) x 3 and (F601) x 3</p> | | <p>K White units are supplied with either Blue or Pink Handles</p> <p></p> <p>Blue/Pink Handle (F215) x 7</p> <hr/> <p>Beech units are supplied with Silver Handles</p> <p></p> <p>Silver Handle (F1091) x 7</p> |
| <p>L </p> <p>Hinge plate (F523) x 2</p> | <p>M </p> <p>Hinge (F522) x 2</p> | |

Ruler - Use this ruler to help correctly identify the screws



Assembly Instructions

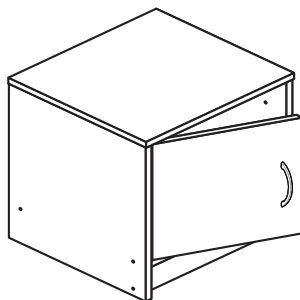
If you have damaged or missing components, call the **Customer Helpline: 08456 400800** quoting the reference numbers below

Step 1

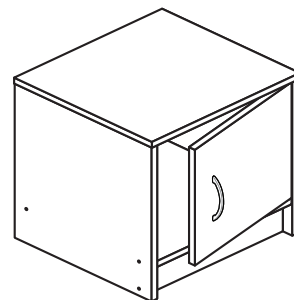
Choose which way you would like the door to open

You can fit the door to the left side or right side.

If you would like your door to open this way, fit the hinge plates to the left side



If you would like your door to open this way, fit the hinge plates to the right side



Step 2

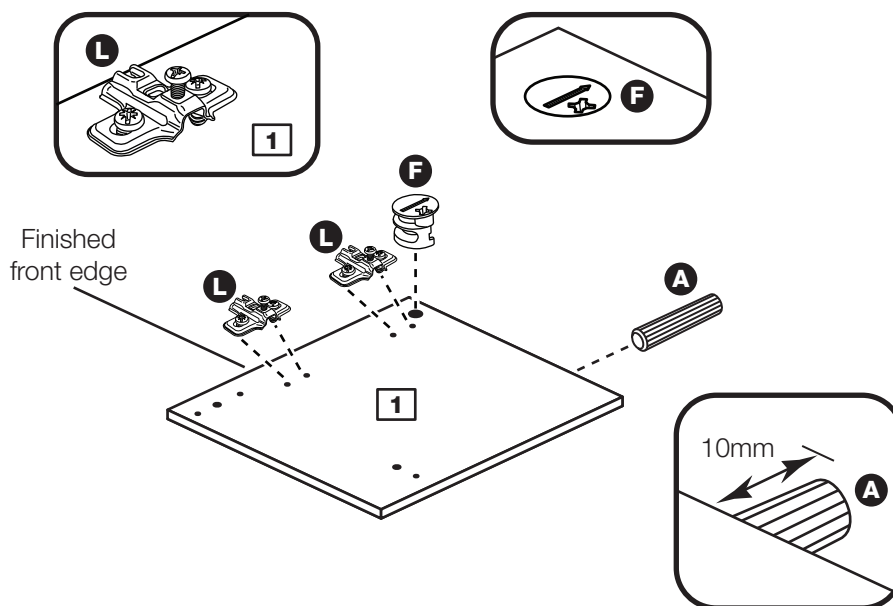
Prepare the left side

Refer to step 1 and, if required, fit 2 hinge plates **L** onto the left side **1**, making sure that they face the same way as the diagram.

Insert a large locking nut **F** into the left side **1**.

Note: The arrow on the locking nut **must** point towards the hole in the edge of the panel.

Tap a wooden dowel **A** into the left side **1**.



Note: Wooden dowels **must not** stick out from the edge by more than 10mm or they may damage other panels.

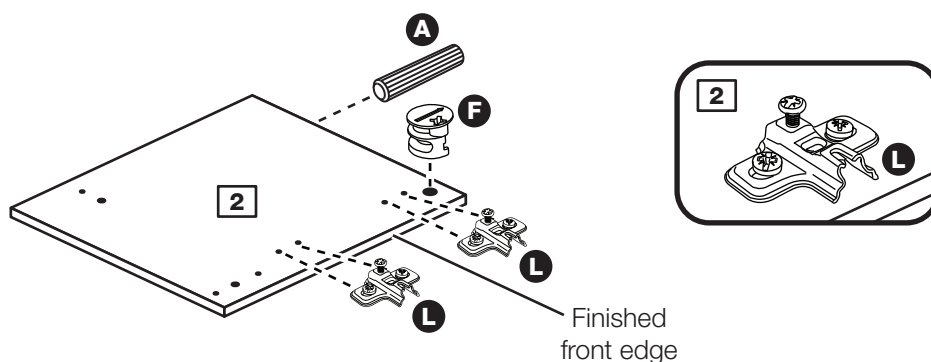
Step 3

Prepare the right side

Refer to step 1 and, if required, fit 2 hinge plates **L** onto the right side **2**, making sure that they face the same way as the diagram.

Insert a large locking nut **F** into the right side **2**.

Tap a wooden dowel **A** into the right side **2**.

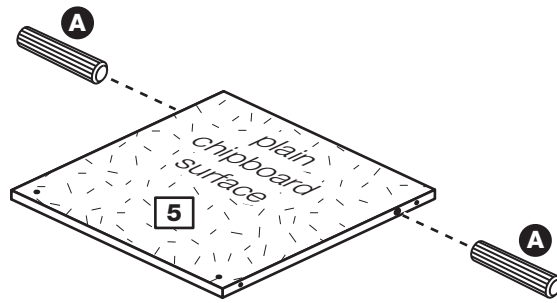


Assembly Instructions

Step 4

Prepare the base

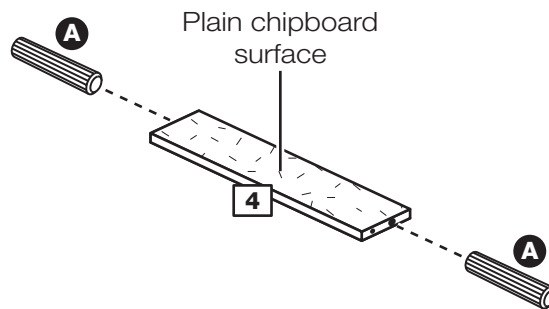
Tap 2 wooden dowels **A** into the base **5**.



Step 5

Prepare the plinth

Tap 2 wooden dowels **A** into the plinth **4**.

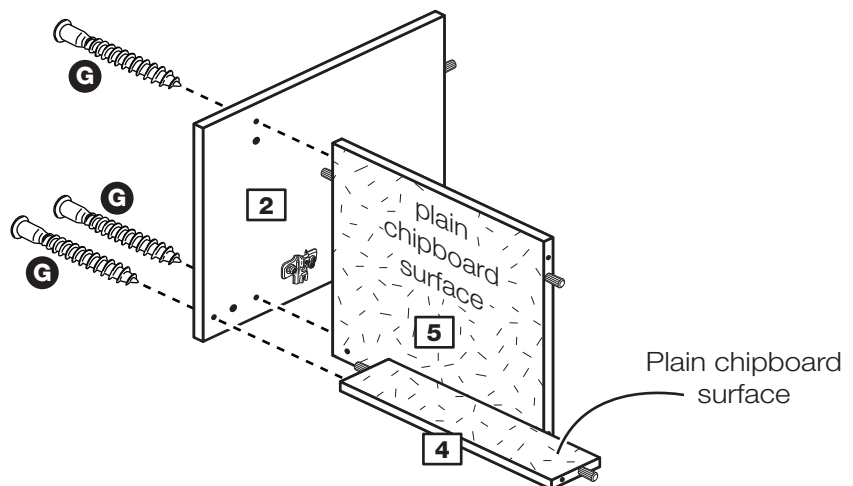


Step 6

Fit the base and plinth to the right side

Push the base **5** onto the right side **2** and secure it using 2 screws **G**.

Push the plinth **4** onto the right side **2** and secure it using screw **G**.

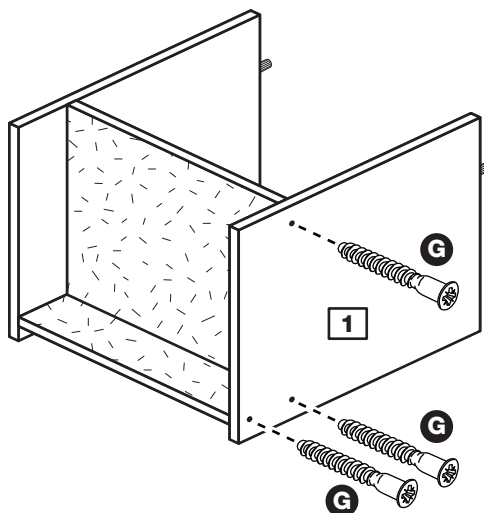


Assembly Instructions

Step 7

Fit the left side

Push the left side **1** onto the assembly and secure it using 3 screws **G**.

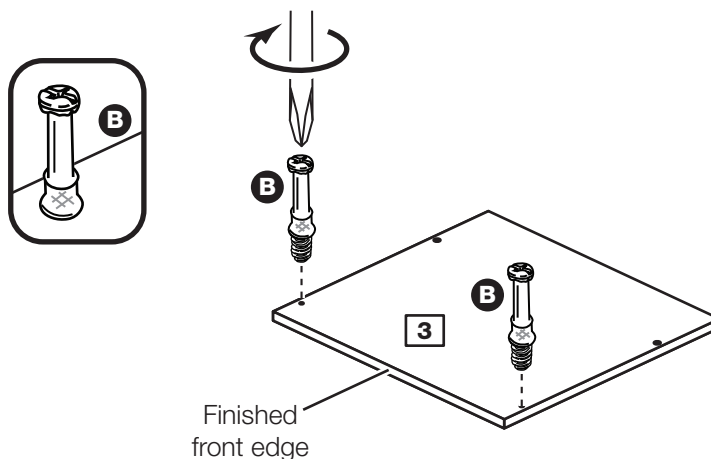


Step 8

Prepare the top

Screw 2 metal dowels **B** into the holes on the top **3**.

Note: Tighten metal dowels up fully against the panels.



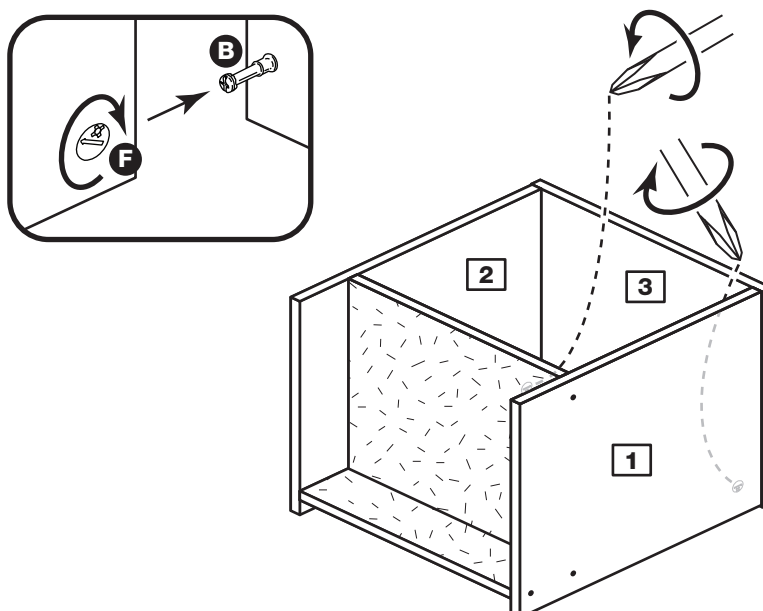
Step 9

Fit the top

Push the top **3** onto the assembly.

Use a screwdriver to tighten the 2 large locking nuts **F** fitted to the sides **1** and **2**.

Note: Turn the large locking nuts **F** as far as they will go - more than 1/2 a turn.



Assembly Instructions

Step 10

Fit the back

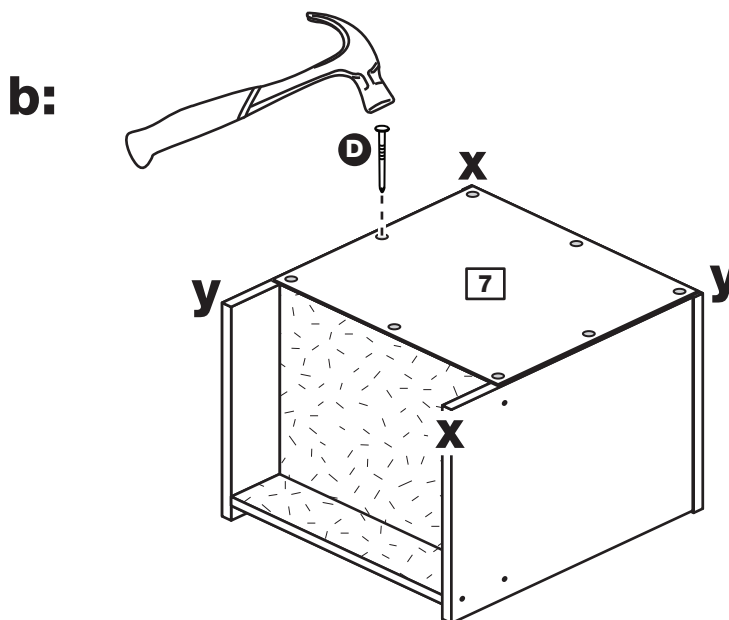
a: Square up the unit by making sure that measurement **x to x** equals **y to y**.

b: Place the back **7** onto the unit.

Nail **D** around the outside edges of the back **7**.

Stand the unit up.

a: The measurement from top corner X to bottom corner X must be equal to the measurement from top corner Y to bottom corner Y



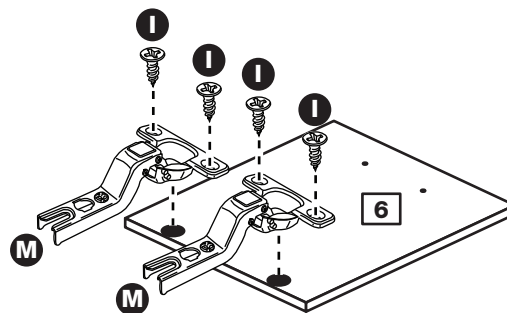
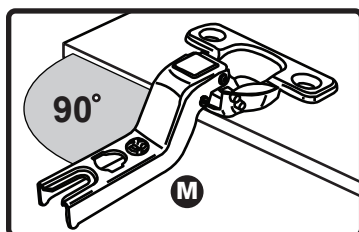
Step 11

Prepare the door

Push fit 2 hinges **M** into the door **6**.

Secure each hinge with 2 screws **I**.

Note: Before securing with the screws, make sure that the hinges are positioned at 90 degrees with the edge of the door.



Assembly Instructions

Step 12

Fit door and handle

Note: The easiest way to attach the door **6** is to fit the top hinge first, then align and fit the other hinges.

a: Push the hinge **M** onto the front part of the hinge plate **L**. The recess at the bottom of screw B goes into the slot in the hinge plate.

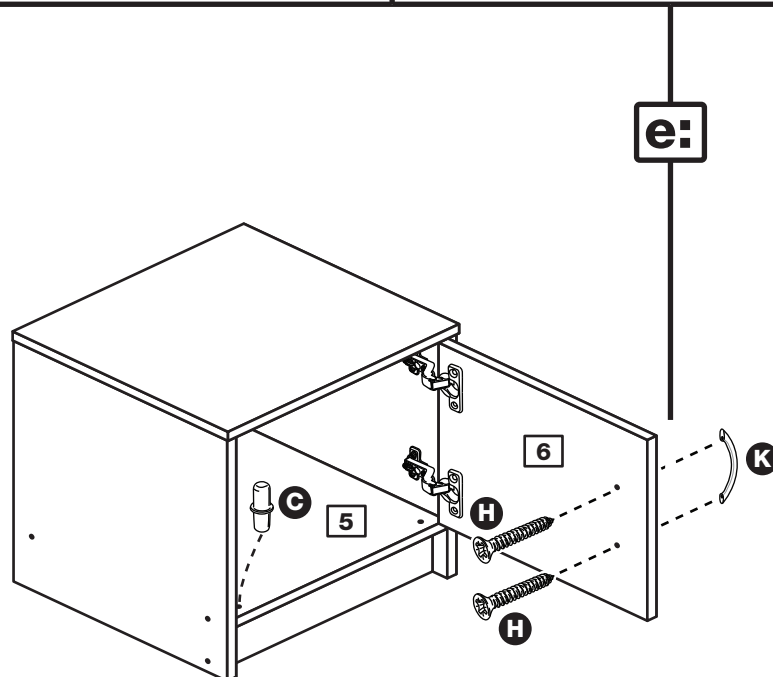
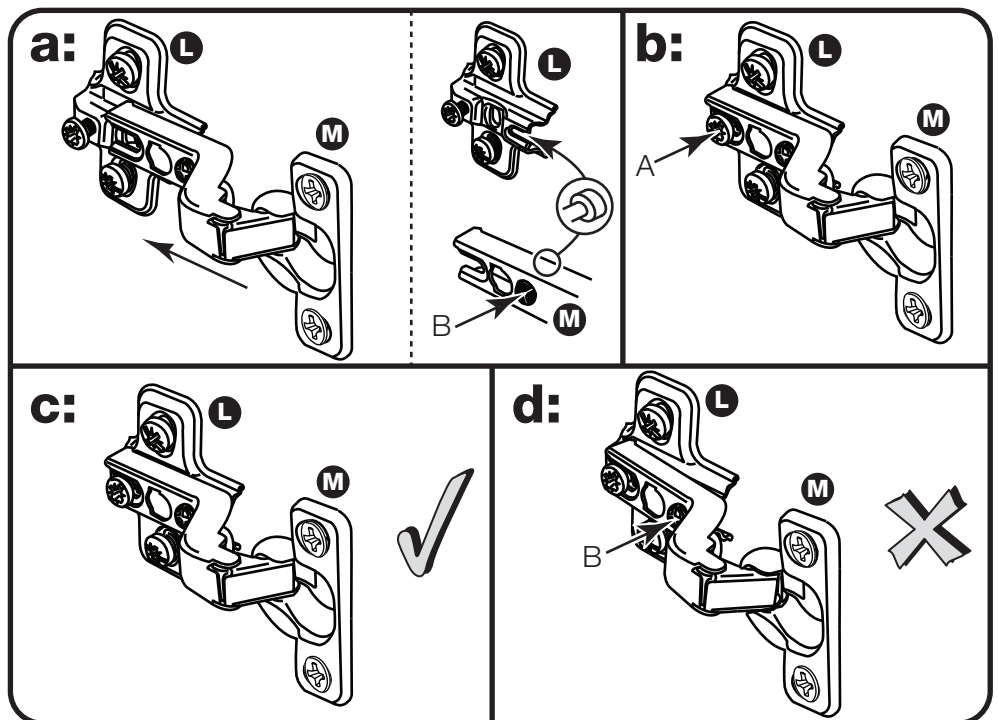
b: Keep the hinge **M** FLAT against the hinge plate **L** as you slide it across as far as it will go. Tighten screw A.

c: The hinge **M** must be flat against the hinge plate **L** prior to any adjustment.

d: The hinge **M** must NOT be AT AN ANGLE to the hinge plate **L** when assembled. This would indicate that the recess at the bottom of screw B had not located in the slot in the hinge plate and the hinge would not be secure. Remove the hinge from the hinge plate and then re-assemble being careful to follow instructions a-c.

e: Attach a handle **K** to the door **6** using 2 screws **H**.

Push the door stop **C** into one of the holes in the base.



This shows the door being fitted to hinge plates on the right side and the door stop being fitted to the left hole in the base.

You may have chosen to fit your door on the left side and will need to fit the door stop to the right hole in the base.

Assembly Instructions

Step 13

Adjust the doors if needed

a: Before adjusting the doors, use a spirit level to check the base (or top) of the unit is level, front-to-back and side-to-side in the 3 positions shown. Use suitable packing pieces (not supplied) to make the unit level BEFORE making any adjustment to the hinges, as shown.

b: Height adjustment.

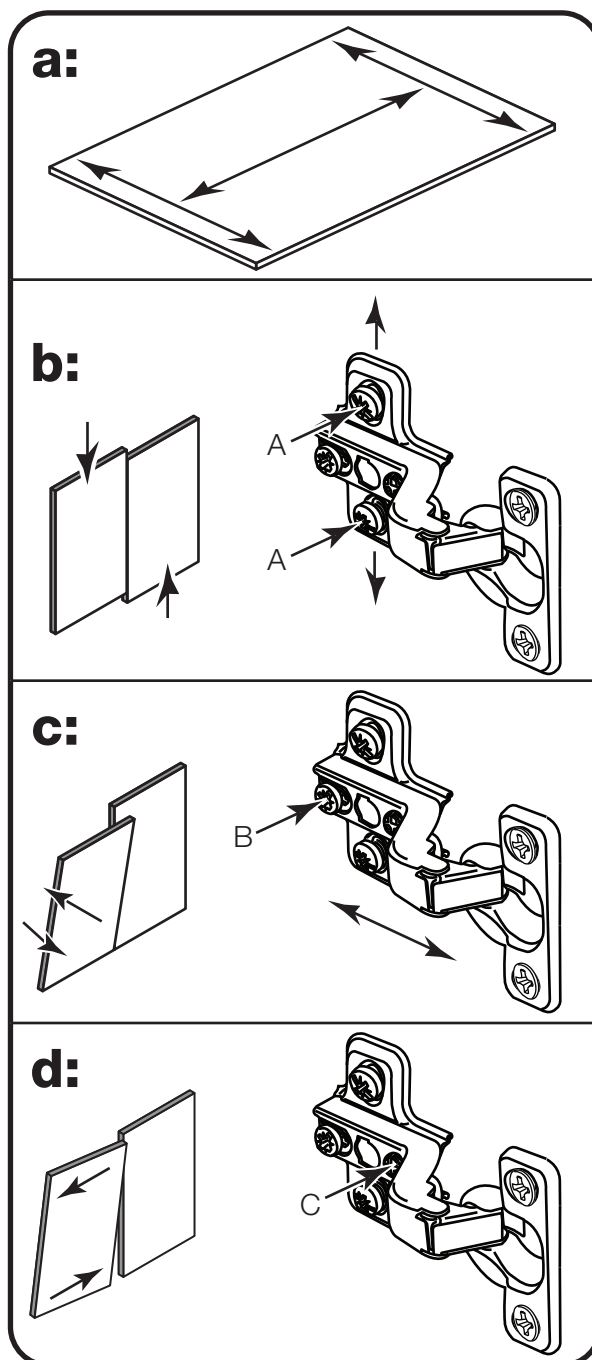
Loosen screws A on hinge plates and move door up or down as required. Retighten screw A.

c: Forward and Back adjustment.

Loosen screw B on hinge plate and move door in or out as required. Retighten screw B.

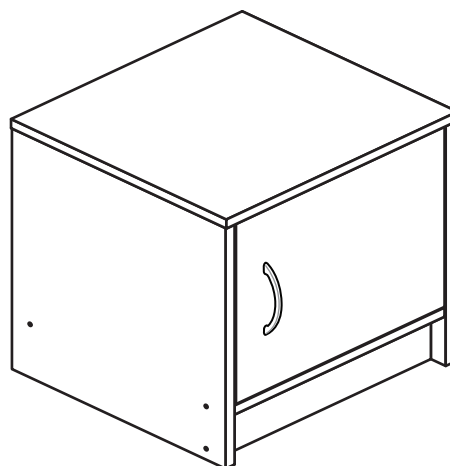
d: Sideways adjustment.

To move door 'out' loosen screw C. To move door 'in' tighten screw C.



Step 14

That's the bedside completed.



Assembly Instructions

Step 15

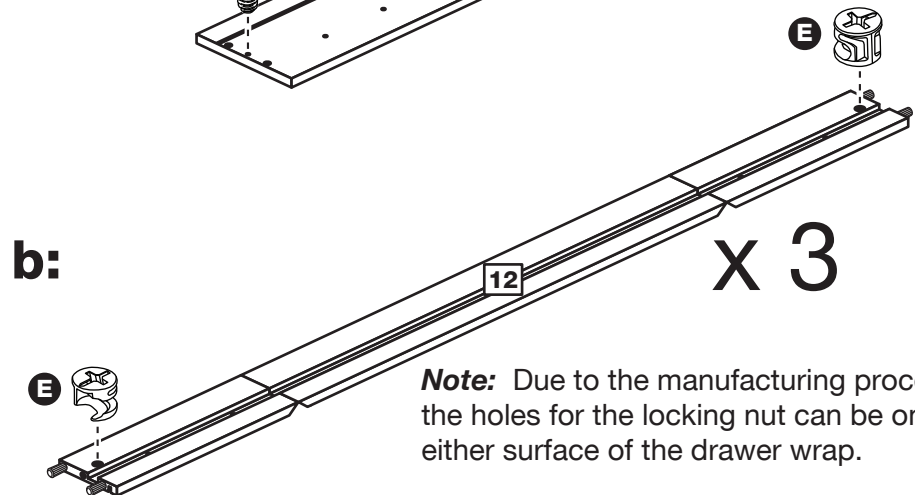
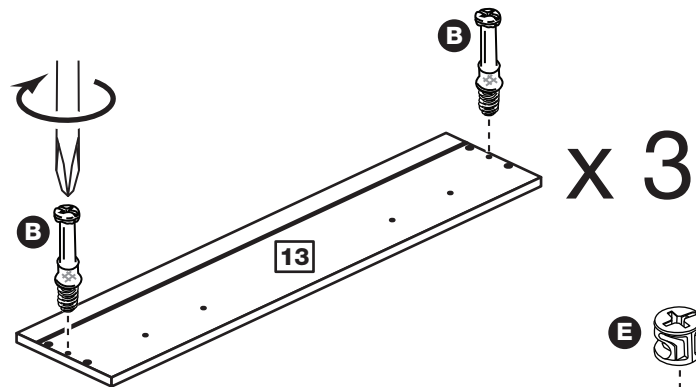
Prepare the drawer fronts and wraps

a: Screw 2 metal dowels **B** into the holes shown on the back of the drawer fronts **13**.

Note: Tighten metal dowels up fully against the panel.

b: Insert 2 small locking nuts **E** into the holes shown on the drawer wraps **12**.

Note: Arrow on locking nut **must** point towards hole in edge of panel.



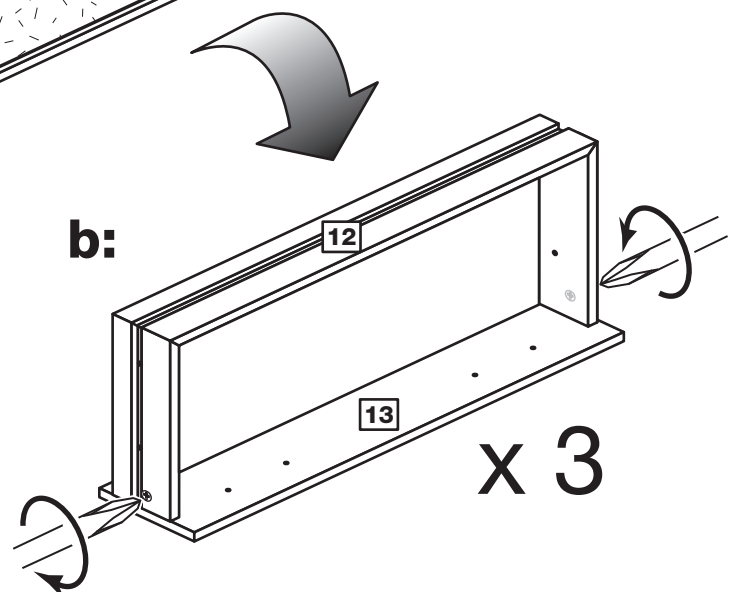
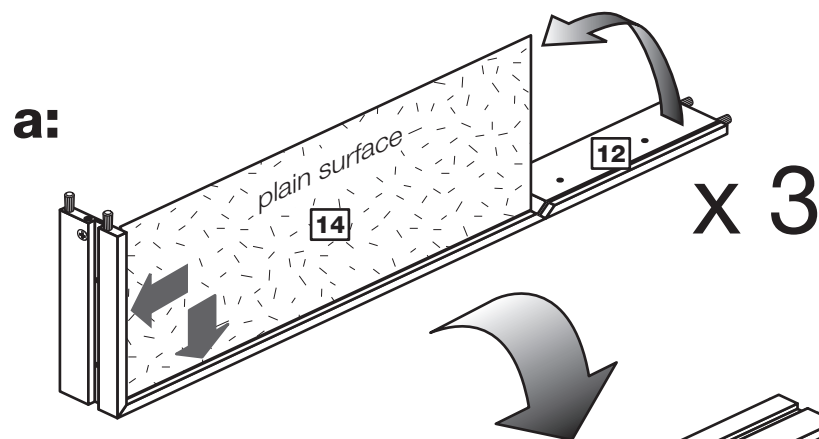
Step 16

Assemble the drawers

a: Place the drawer base **14** into the narrow slot on the drawer wrap **12**. Fold the wrap around the base.

b: Turn the drawer wrap assembly over and push it onto the back of the drawer front **13**.

Note: Turn the locking nuts **E** clockwise to secure panels - more than 1/2 a turn.



Note: The locking nuts can be on either surface of the drawer sides. Make sure that the small groove is on the inside, as shown.

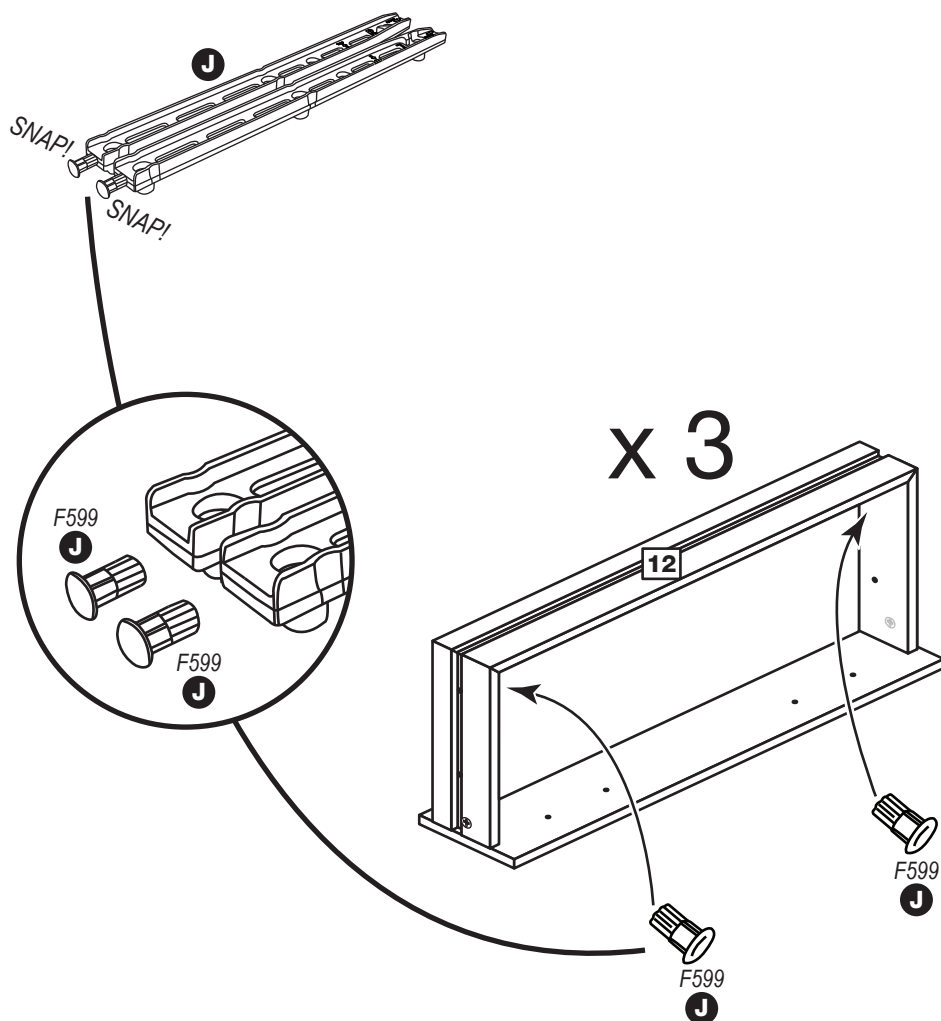
Assembly Instructions

Step 17

Push the drawer stops into the 3 large drawer wraps

Carefully break off the 2 drawer stops (F599) from each pair of the drawer runners **J**.

Push the drawer stops fully through the large drawer wraps **12** from the inside.

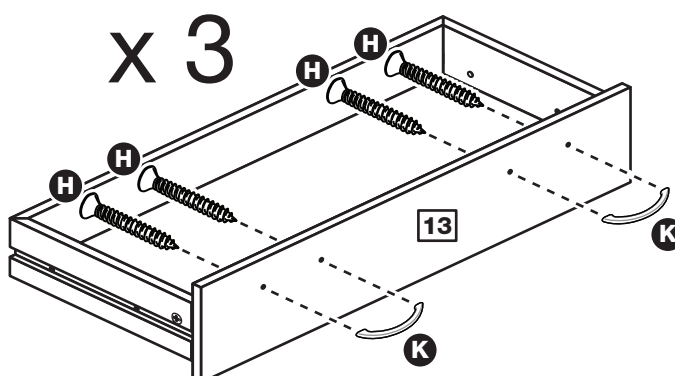


Step 18

Attach the handles

Attach 2 handles **K** to each of the drawer fronts **13** using 4 screws **H**.

Note: Do not overtighten the screws.



Assembly Instructions

Step 19

Prepare the left and right sides

Separate runners **J**.

a: Push fit 3 left runners **J** marked 'L' into the holes shown on left side **8**.

Note: Runners must be fitted flat against the panel. If necessary gently tap into final position.

Insert a large locking nut **F** as shown.

Note: Arrow on locking nut **must** point towards hole in edge of panel.

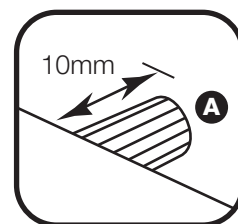
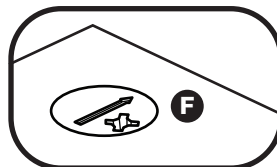
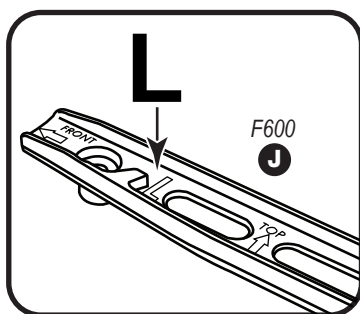
Tap in wooden dowel **A** as shown.

Note: Wooden dowels **must not** stick out from the edge by more than 10mm or they may damage other panels.

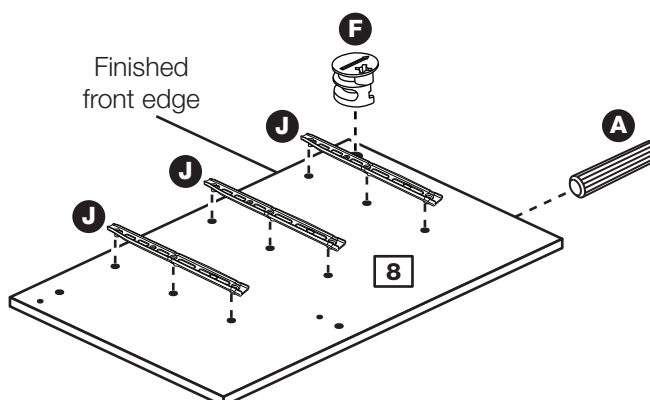
b: Push fit 3 right runners **J** marked 'R' into the holes shown on right side **9**.

Insert a large locking nut **F** as shown.

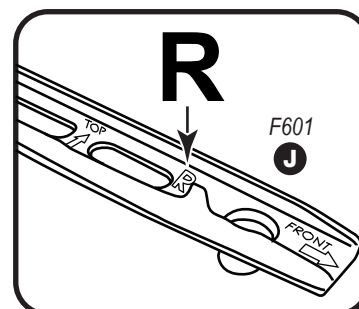
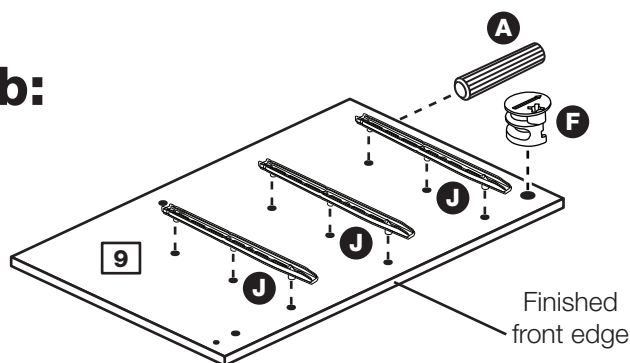
Tap in wooden dowel **A** as shown.



a:



b:

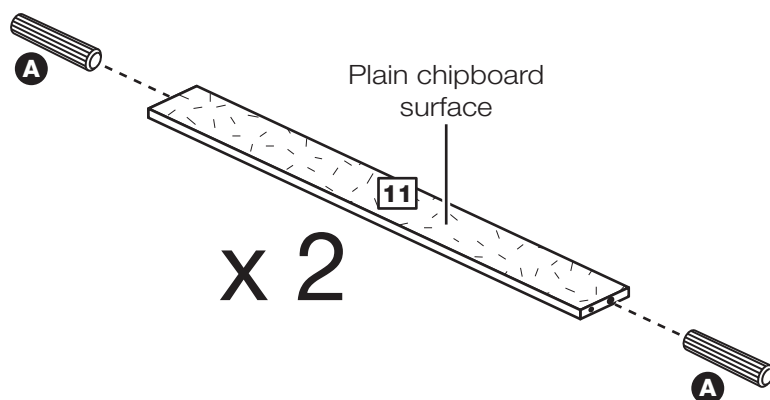


Assembly Instructions

Step 20

Prepare the 2 plinths

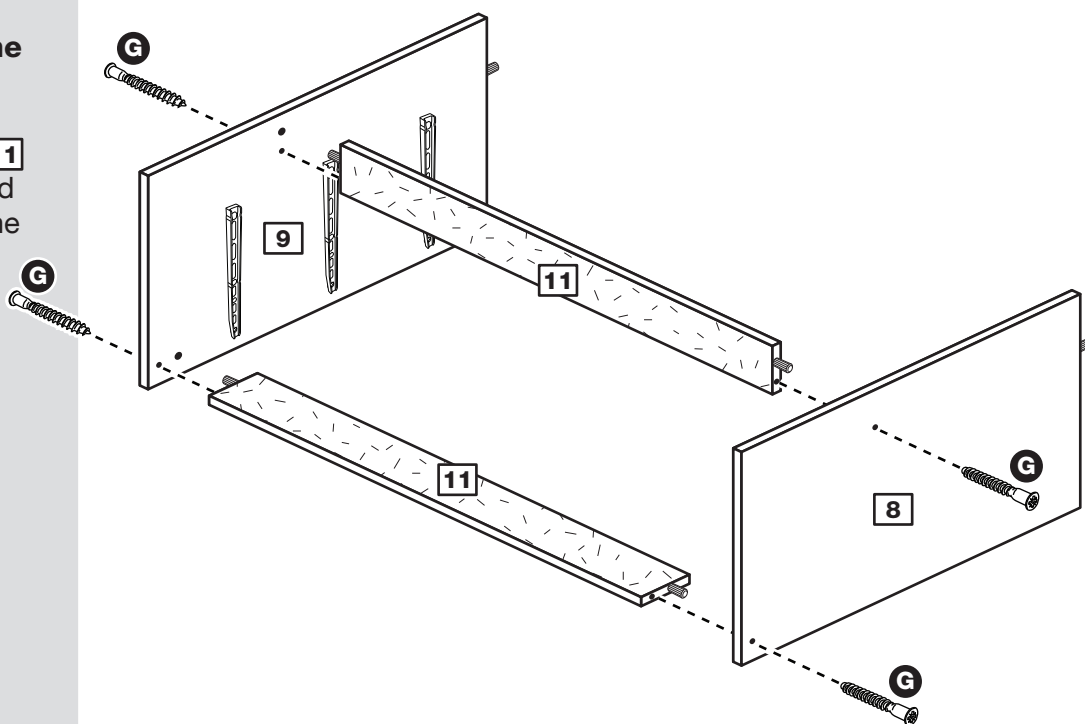
Tap 2 wooden dowels **A** into each plinth **11**.



Step 21

Fit the plinths to the sides

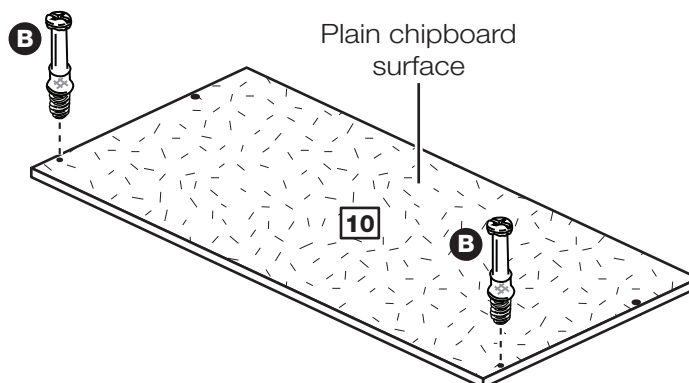
Attach the 2 plinths **11** to the left side **8** and right side **9** using the dowels already fitted and secure with screws **G**.



Step 22

Prepare the top

Screw 2 metal dowels **B** into the holes shown on the top **10**.



Assembly Instructions

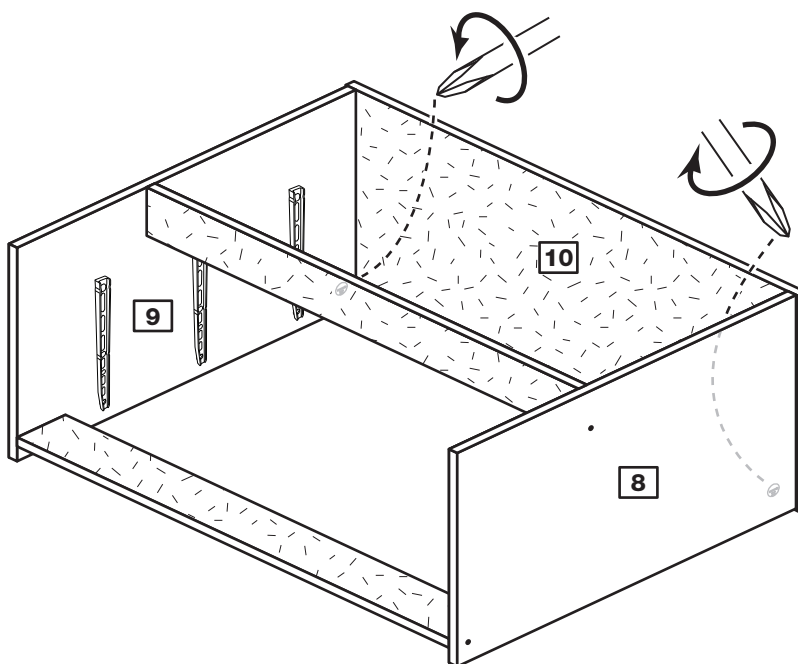
Step 23

Fit the top

Push the top **10** onto the side panels **8** and **9**.

Use a screwdriver to tighten the 2 large locking nuts **F** fitted to the inside of the side panels **8** and **9**.

Note: Turn the large locking nuts **F** as far as they will go - more than 1/2 a turn.



Step 24

Fit the back

a: Square up the unit by making sure that measurement **x** to **x** equals **y** to **y**.

b: Place the back **15** onto the unit.

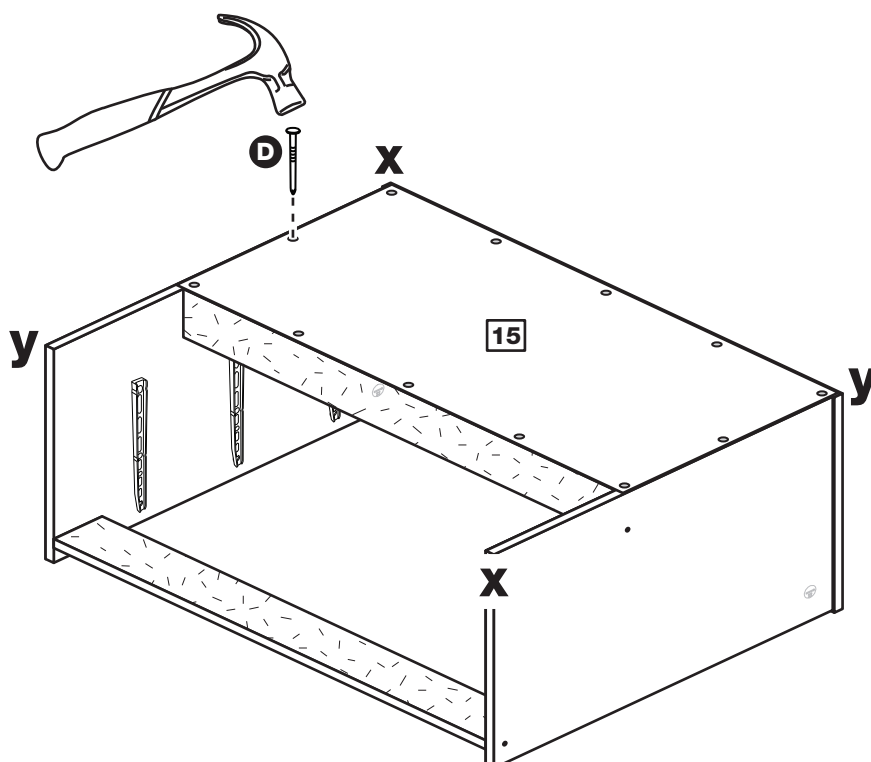
Nail **D** around the outside edges of the back **15**.

Note: Nails should be spaced about 150mm apart.

Stand the unit up for the next step.

a: The measurement from top corner X to bottom corner X must be equal to the measurement from top corner Y to bottom corner Y

b:



Assembly Instructions

Step 25

Insert the 3 drawers

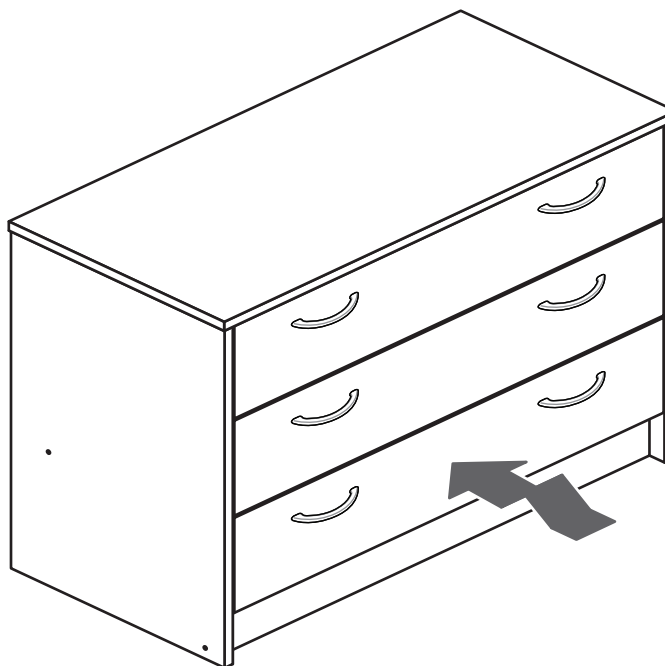
Lift the front of the drawers whilst inserting to overcome the 'stop' system.

Note: To ensure that your drawers run smoothly, spray a small amount of furniture polish into the grooves.

That's the 3 drawer chest completed.



Warning: The chest is heavy. Lift with care.



Assembly is complete

If you need help or have damaged or missing parts, call the **Customer Helpline: 08456 400800** and quote the reference numbers on the component pages.

Argos Ltd, 489-499 Avebury Boulevard, Central Milton Keynes, MK9 2NW