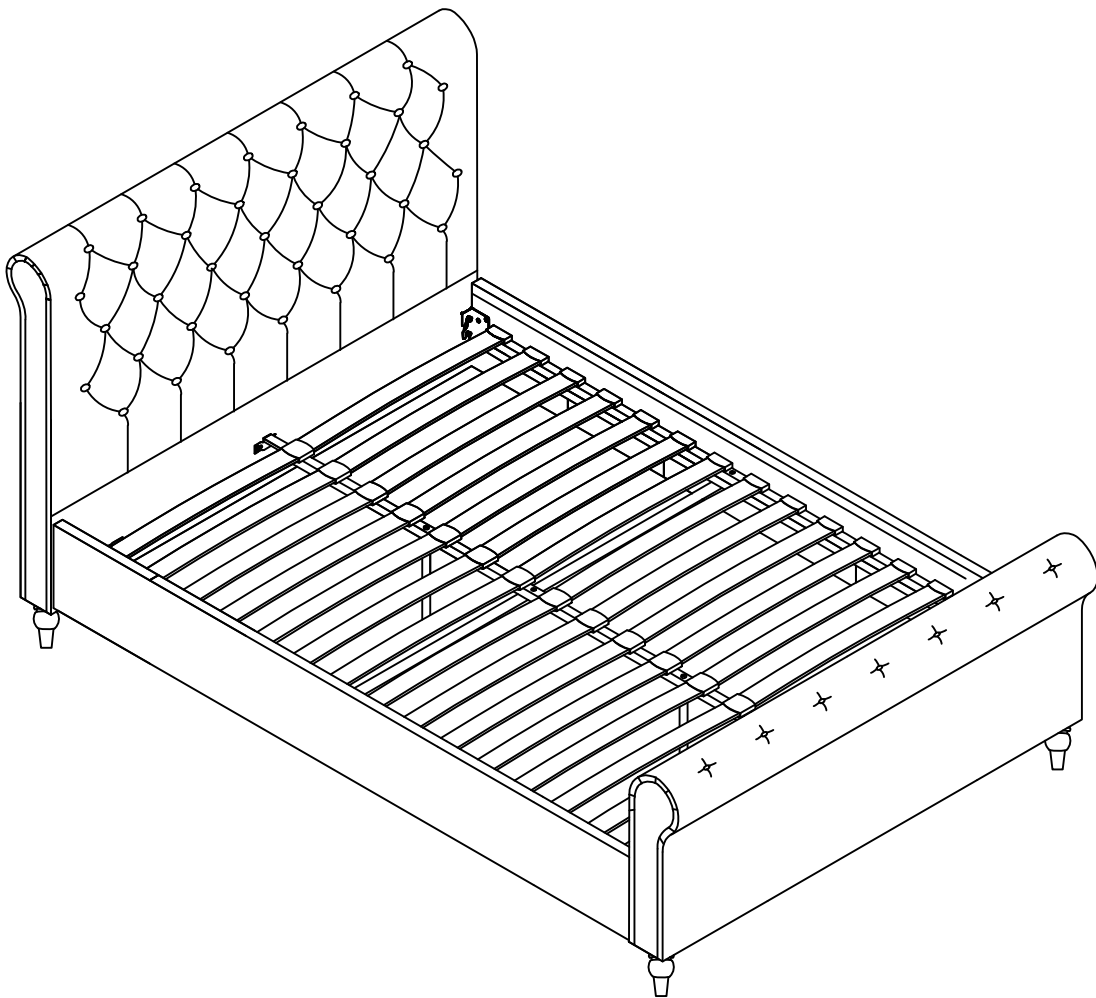


HOME

Cranford 4'6 and 5' Bed

SKU 7077641

7434583



Care & Instruction Manual

Please read and retain these instructions for future reference



Safety and Care Advice

Important - Please read these instructions fully before starting assembly

Check you have all the components and tools listed on pages 2, 3 and 4.

Remove all fittings from the plastic bags and separate them into their groups.

Keep children and animals away from the work area, small parts could choke if swallowed.

Make sure you have enough space to layout the parts before starting.

Assemble the item as close to its final position (in the same room) as possible.

Assemble on a soft level surface to avoid damaging the unit or your floor.

Assembly requires 2 people.

Do not fully tighten bolts until the whole bed is assembled.
Do not overtighten the nuts to avoid causing damage to the threads.



We do not recommend the use of power drill/drivers **for inserting screws**, as this could damage the unit. Only use hand screwdrivers and Allen keys.

Dispose of all packaging carefully and responsibly.

Cleaning Guidance

Minor stains and spillages should be removed immediately from cushion fabric, by wiping over lightly with a damp cloth and mild soapy water.

Light marking can also be removed using this method.

To remove more stubborn stains or marking, a good quality proprietary domestic fabric cleaner can be used, although it should first be tested on and inconspicuous area of the fabric.

Care and maintenance

Only clean using a damp cloth and mild detergent, do not use bleach or abrasive cleaners.

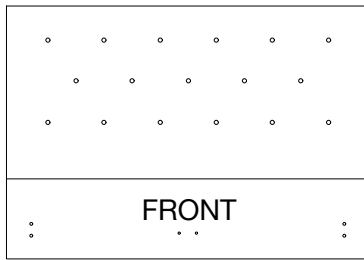
From time to time check that there are no loose screws on this unit.

This product should not be discarded with household waste. Take to your local authority waste disposal centre.

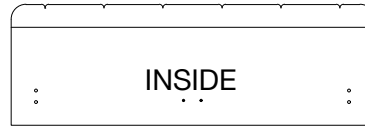
Components - Parts

If you have damaged or missing components.
call the **Customer Helpline:** 0345 6400 800

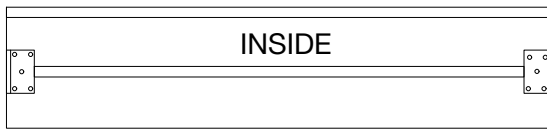
Please check you have all the parts listed below



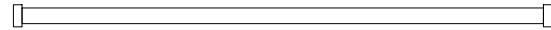
- 1** Headboard
(4'6 - 1480 x 1070mm)
(5' - 1630 x 1070mm)



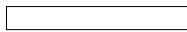
- 2** Footboard
(4'6 - 1480 x 580mm)
(5' - 1630 x 580mm)



- 3** Side rail x 2
(4'6 - 1920 x 290mm)
(5' - 2020 x 290mm)



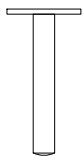
- 4** Central support
(4'6 - 1920 x 80mm)
(5' - 2020 x 85mm)



- 5** Bentwood slat
(4'6 - 680 x 55mm) x 28
(5' - 755 x 55mm) x 30



- 6** Leg x 4
(70 x 120mm)



- 7** Support leg X 2
(Ø25 x 260mm)



- 8** Double slat cap (55mm)
(4'6 x 14)
(5' x 15)







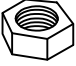


- 9** Single slat Cap x 28(55mm)
(4'6 x 28)
(5' x 30)

Components - Fittings

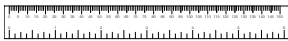
If you have damaged or missing components, call the **Customer Helpline: 0345 6400 800**

Please check you have all the fittings listed below

Note: The quantities below are the correct amount to complete the assembly. In some cases more fittings may be supplied than are required.

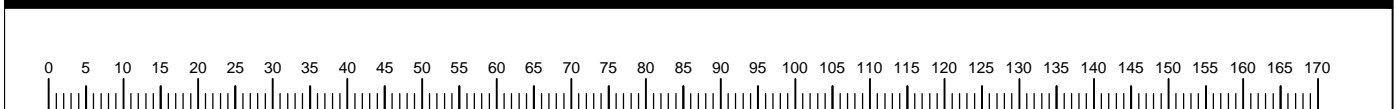
<p>A</p>  <p>M8 x 25mm Allen screw x 12</p>	<p>B</p>  <p>Spring washer x 20</p>	<p>C</p>  <p>Flat Washer x 20</p>
<p>D</p>  <p>M8 x 40mm Allen screw x4</p>	<p>E</p>  <p>M8 Nut x 4</p>	<p>F</p>  <p>5mm Allen key x 1</p>
<p>G</p>  <p>Spanner x 1</p>		

Tools required



Ruler/tape
measure

Ruler - Use this ruler to help correctly identify the screws



Assembly Instructions

Step 1

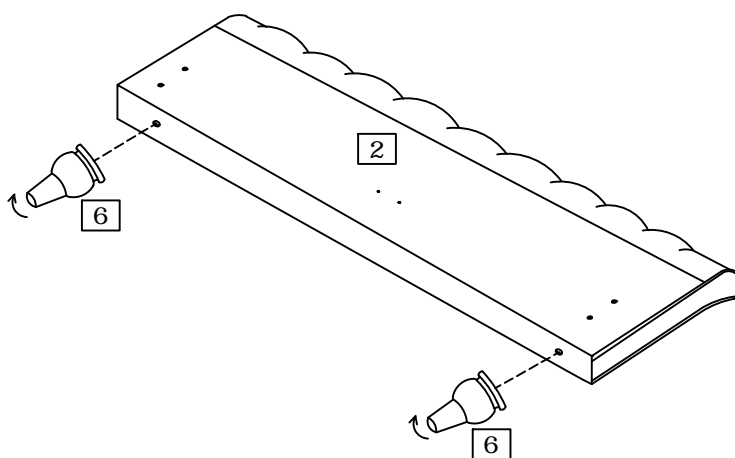
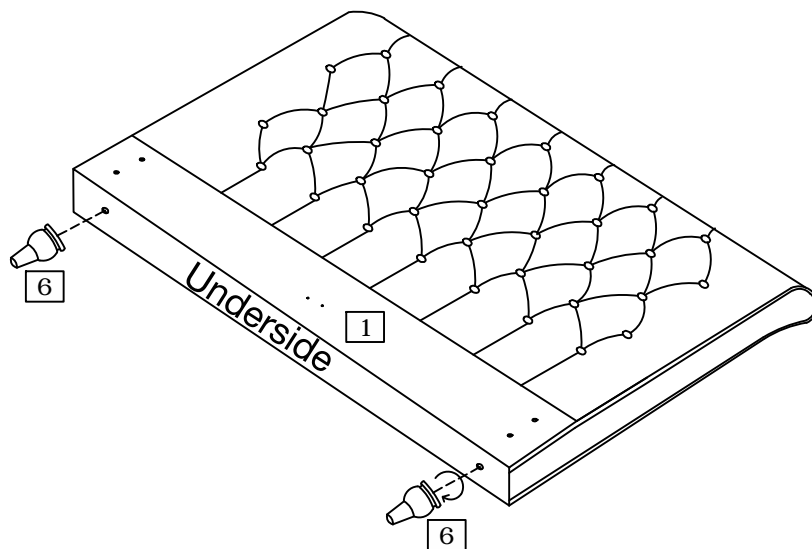
Attaching feet

With help, carefully place headboard **1** and footboard **2** flat on the floor with the fixing holes facing up.

Note: Ensure the floor is suitably protected to prevent any marking or damage to the components.

Screw legs **6** to the underside of headboard **1** as shown.

Repeat on the underside of footboard **2**.



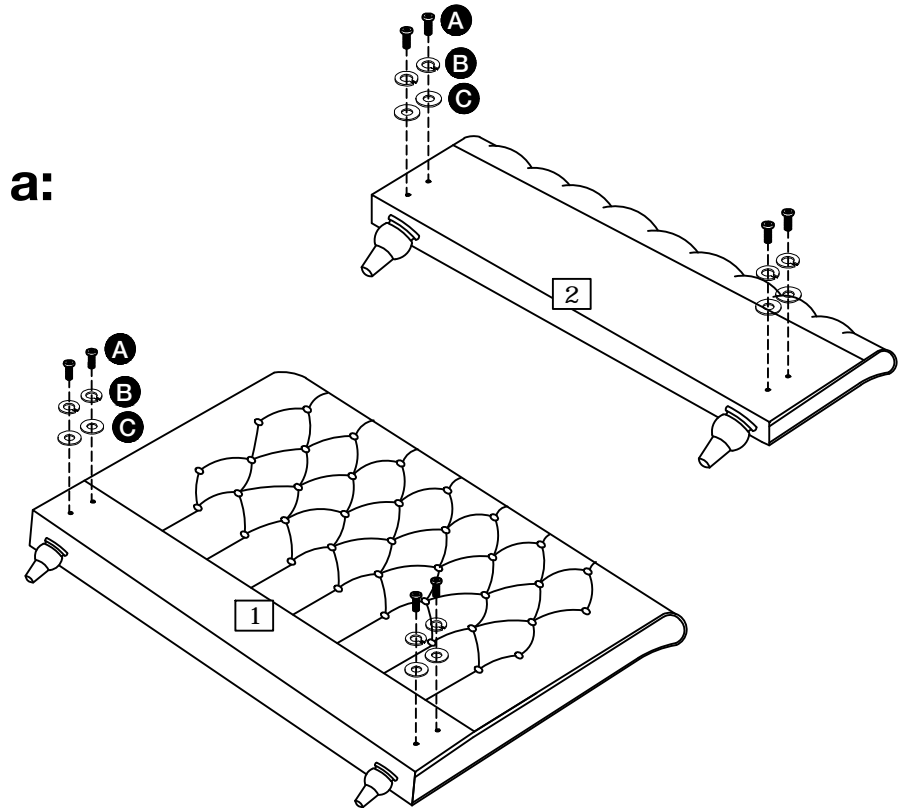
Assembly Instructions

Step 2

Attaching side rails

a: Loosely screw fixings **A**, **B** and **C** into headboard **1** and footboard **2** as shown.

Note: Do not screw fully in.

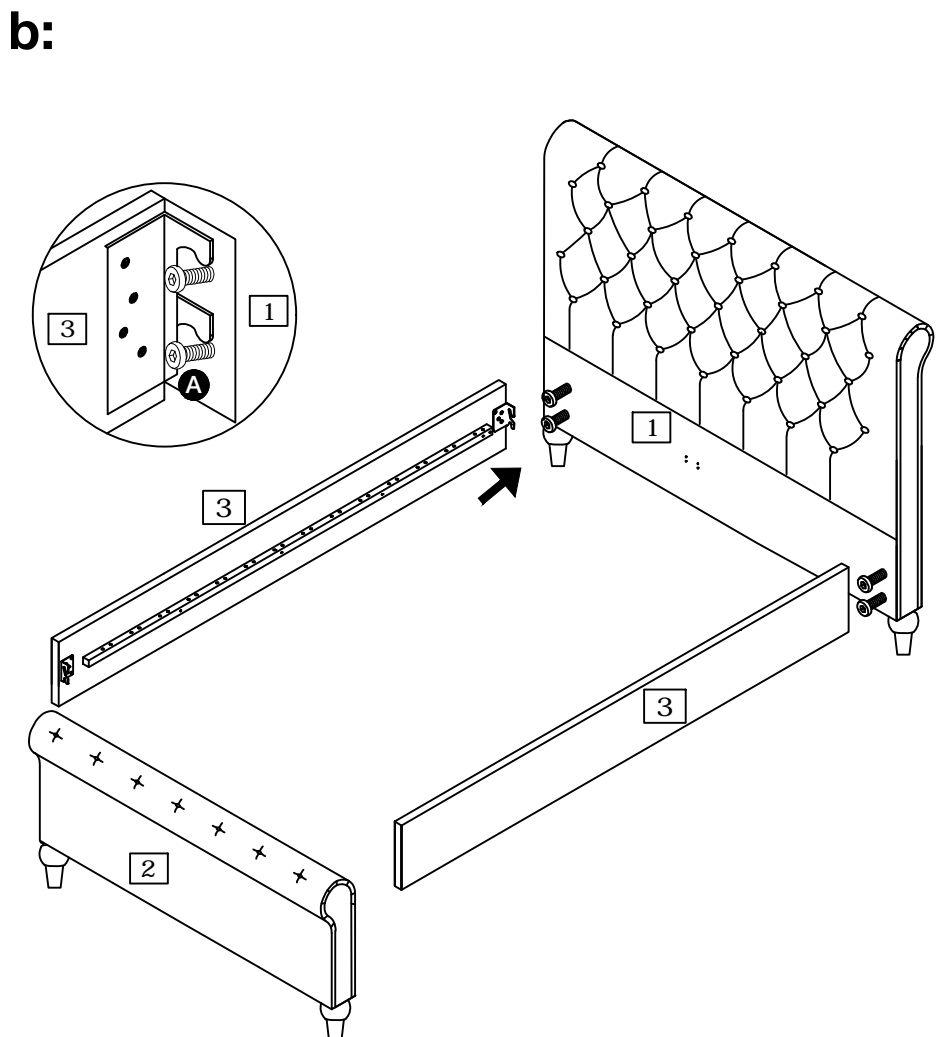


b: With help, raise headboard **1** into the standing position.

Hang the metal brackets on the end of side rails **3**, over screws **A** in the headboard **1** as shown.

Note: Do not fully tighten bolts **A** at this stage. Finger tighten only.

Repeat to assemble footboard **2**.



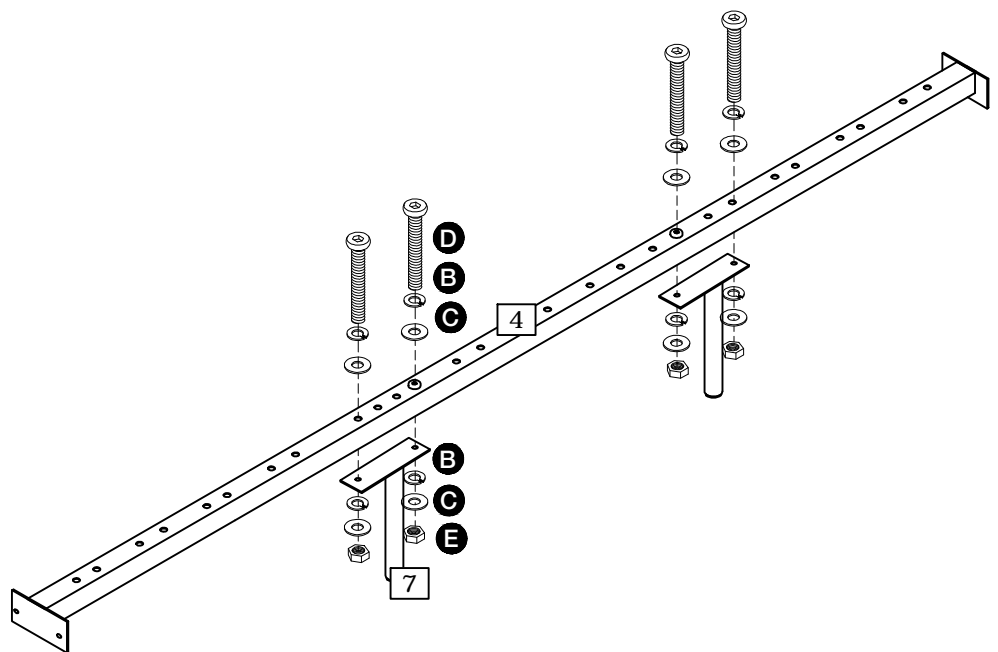
Assembly Instructions

Step 3

Preparing support legs

Assemble support legs **7** to the underside of central support **4** using fixings **D**, **B**, **C** and **E** as shown.

Note: Ensure the holes in central support **4** are facing up as shown.



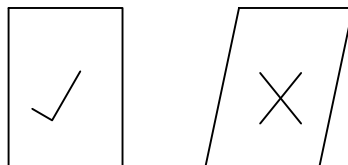
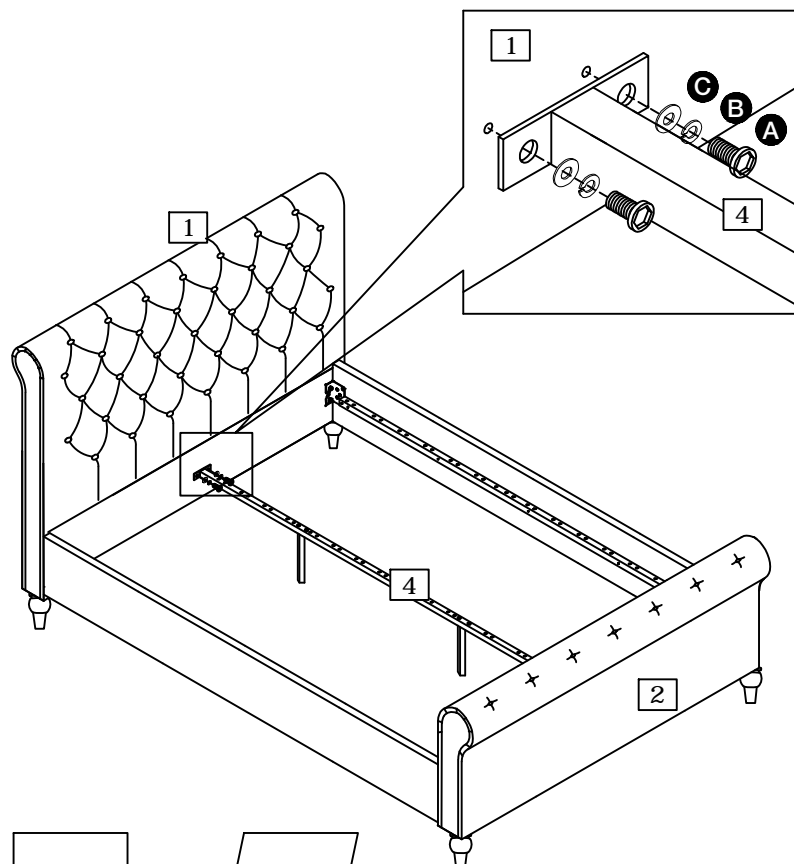
Step 4

Locating central support

Assemble central support **4** in between the headboard and footboard, using fixings **A**, **B** and **C** as shown.

Ensure the frame is straight and square.

Fully tighten screws **A** from step 1.



Frame must be square

Assembly Instructions

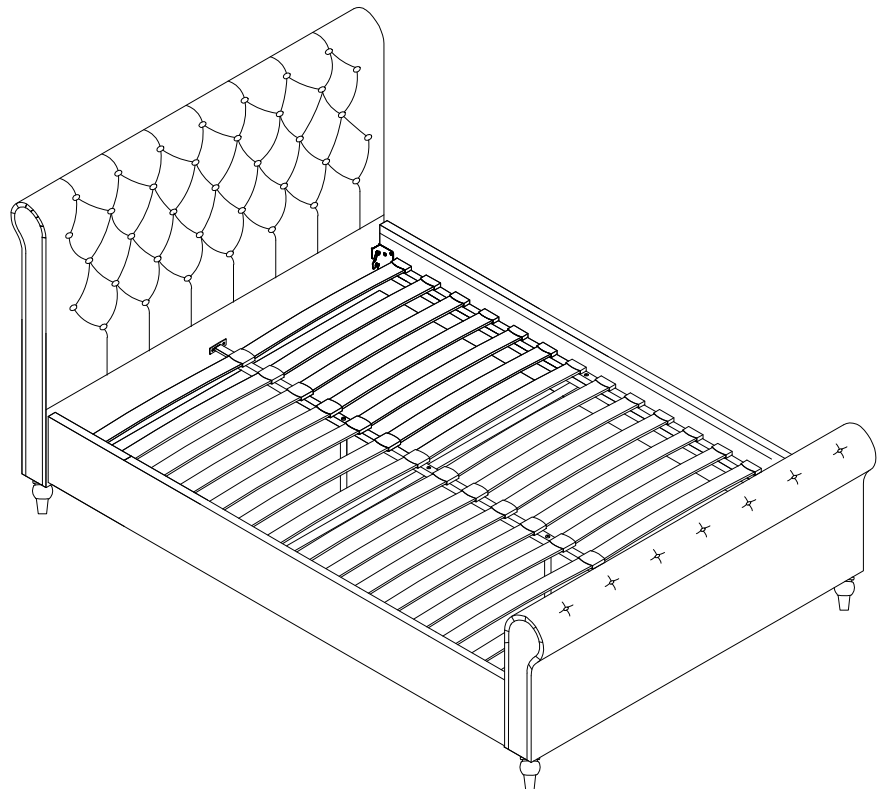
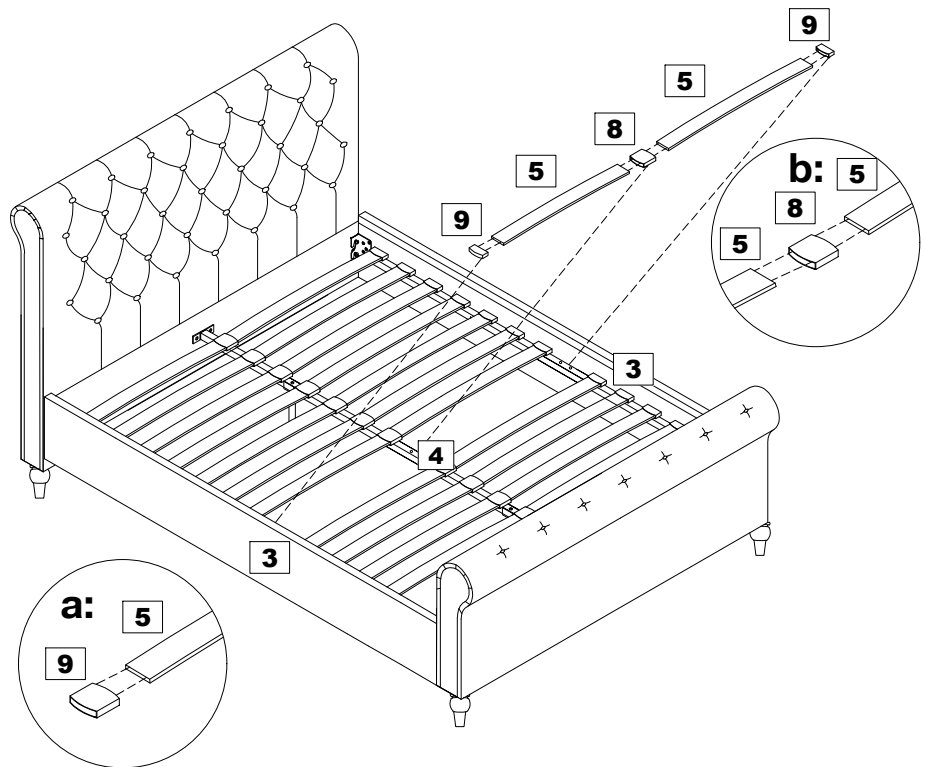
Step 5

Assembling slats

a: Assemble single plastic slat caps **9** onto one end of bentwood slats **5**.

Fit bentwood slats **5** into both side rails **3** by locating single slat caps **9** into the holes.

b: Fit bentwood slats **5** into both sides of double slat caps **8**, before pushing caps **8** into the holes in central support **4**.



Assembly is complete.

We care about our quality and what you think,
If you have any comments, or you require replacement parts,
Please call our **Customer Helpline:0345 6400 800**
Or visit **www.argos.co.uk**
Your statutory rights are not affected.

Produced in China for
Argos Limited, 489-499
Avebury Boulevard,
Milton Keynes, MK9 2NW
www.argos.co.uk