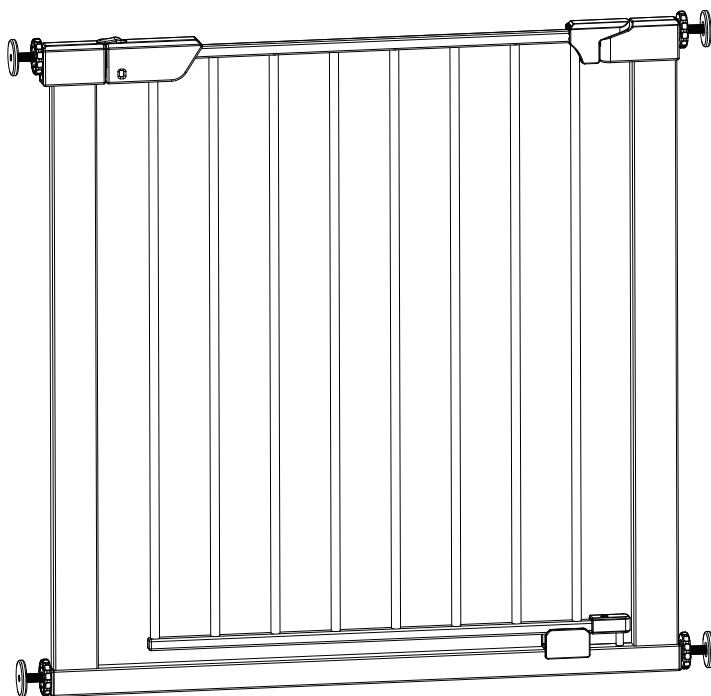


CUGGL AUTOCLOSE METAL GATE

IMPORTANT! KEEP THE INSTRUCTION FOR FURTHER REFERENCE

707/6879

cuggl 



Important

Age: 6 - 24 months

Important – Please read these instructions fully before assembly or use

These instructions contain important information which will help you get the best from your product and ensure safe and correct assembly, use and maintenance.

If you need help or have damaged or missing parts, call the **Customer Helpline: 03456 400 800**

IMPORTANT! READ AND FOLLOW THESE INSTRUCTIONS CAREFULLY AND KEEP FOR FUTURE REFERENCE

Introduction

Please read the instructions thoroughly to ensure proper installation.

Please immediately inspect your safety gate upon receipt. If you see any damage, or additional parts are required for this gate,

do not assemble gate and please go to back page of the instruction booklet for website or Consumer Relations Representative information.

We recommend that you carry out the installation away from young children as some of the smaller components may present a choking hazard when loose.

Important Information

There is a gap between your gate frame and handle. This is not a defect. The gap on your gate will close once it is properly mounted. Please check the gate on a regular basis to ensure gate and parts are all in proper working order. If the gate is used at the top of stairs, it should not be positioned below the top level. When using at top of stairs, gate must open away from stairs. If the gate is used at the bottom of the stairs, please place towards the front of the lowest stair. Ensure the gate is attached between two clean and solid surfaces. Ensure appropriate fixings are used for drywall, wood, brick, etc. If wall plugs are provided with the gate and do not secure to the wall satisfactorily, consult with a hardware store for your proper wall plug application. If additional parts are required for this gate, please go to back page of the instruction booklet for website or Consumer Relations Representative information. Do not use this gate at the top or bottom of stairs without using all four wall cups. For maximum safety, use 4 wall cups with sticky pads and screws provided when installing the gate in all locations. In some openings only 2 top wall cups can be fitted.

Disclaimer

Any safety gate which has been subjected to misuse, abuse, abnormal use, excessive wear and tear, improper assembly, negligence, environmental exposure, alteration or accident, or has had its serial number altered or removed invalidates any and all claims against the manufacturer. Any damage to property during installation of your safety gate is the sole responsibility of the end user.

WARNING!

- **WARNING**– Never use with a child able to climb over or dislodge the gate or enclosure.
- **WARNING**– Stop using gate if any parts are missing or become damaged.
- **WARNING**– Incorrect installation can be dangerous.
- **WARNING**– The safety barrier must not be fitted across windows.
- **WARNING**– Never use without wall cups.
- Use only with the locking mechanism securely engaged. It is auto closing system.
- To prevent serious injury or death, securely install gate or enclosure. And use according to manufacturer's instructions.
- Periodically check all fasteners to be sure they are tight and secure.
- Adult assembly required.
- Install according to manufacturer's instructions.
- This product is intended for use with children from 6 months up to 24 months of age.
- This product will not necessarily prevent all accidents. Never leave child unattended.
- This safety gate complies with EN1930:2011.
- This safety gate is for domestic use only.
- To clean: Use mild soap and wipe with a damp cloth.

A Guide to Wall Mounting & Fixings

Important note:

If plastic wall plugs (rawl plugs) are supplied with your product, e.g.:



- these are only suitable for use in masonry walls.

If you are in any doubt about the correct wall plugs for your wall, seek professional advice.


Failure of the product due to using the incorrect fixings is the responsibility of the installer.



Important: when drilling into walls always check that there are no hidden wires or pipes etc.

Make sure that the screws and wall plugs being used are suitable for supporting your unit. Consult a qualified tradesperson if you are unsure.

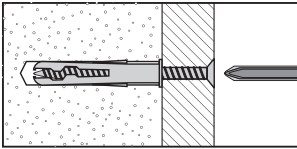
Hints:

- 1: General rule:  always use a larger screw and wall plug if you are not sure.
- 2: Ensure you use the recommended drill bit to match the wall plug and hole size.
- 3: Ensure you drill the hole horizontally; do not force the drill or enlarge the hole.
- 4: Take extra care when drilling high walls, ceilings and ceramic tiles. Ensure wall plugs are inserted beyond the thickness of the ceramic tiles to avoid the tiles splitting or cracking.
- 5: Ensure wall plugs are well fitted and are a tight fit in the drilled hole.

Types of walls

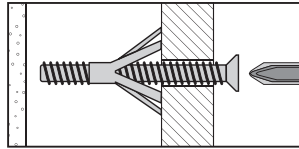
You can use one of the following types of wall plug if your walls are made of brick, breeze block, concrete, stone or wood.

No.1 "General Purpose" wall plug



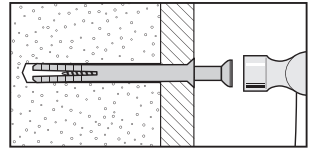
Generally aerated blocks should not be used to support heavy loads, use a specialist fitting in this case. For light loads, general purpose wall plugs can be used.

No.3 "Cavity Fixing" wall plug



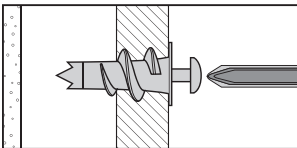
For use with plasterboard partitions or hollow wooden doors.

No.5 "Hammer Fixing" wall plug



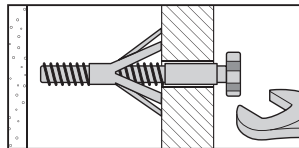
For use with walls stuck with plasterboard. The hammer fixing allows it to be fixed to the wall rather than the plasterboard. Always check the fixing is secure to the retaining wall.

No.2 "Plasterboard" wall plug



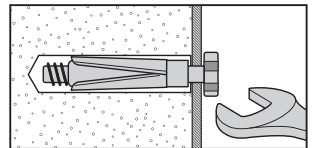
For use when attaching light loads onto plasterboard partitions.

No.4 "Cavity Fixing - Heavy Duty" wall plug



For use when fitting or supporting heavy loads such as shelving, wall cabinets and coat racks.

No.6 "Shield Anchor" wall plug - heavy loads



For use with heavier loads such as TV and HiFi speakers and satellite dishes etc.

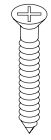


Care & Maintenance

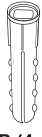
Safety: always check the fitting and location to ensure your safety in and around the home.

Fitting: from time to time check the fitting to ensure the wall plugs or screws do not become loose.

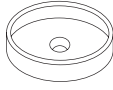
If you need help or have any question, call the Argos Aftersales Helpline: 03456 400 800



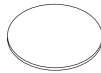
A (4x)



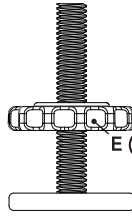
B (4x)



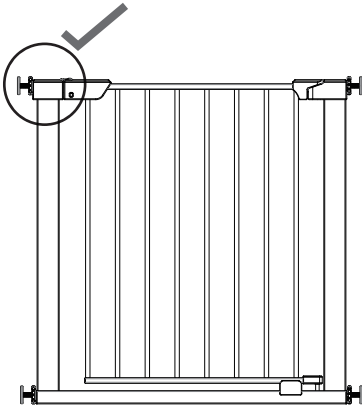
C (4x)



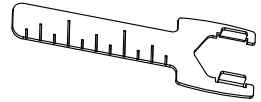
D (4x)



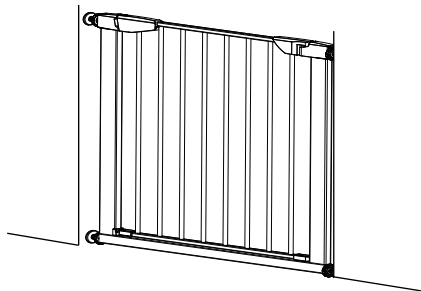
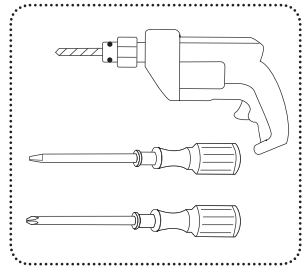
E (4x)

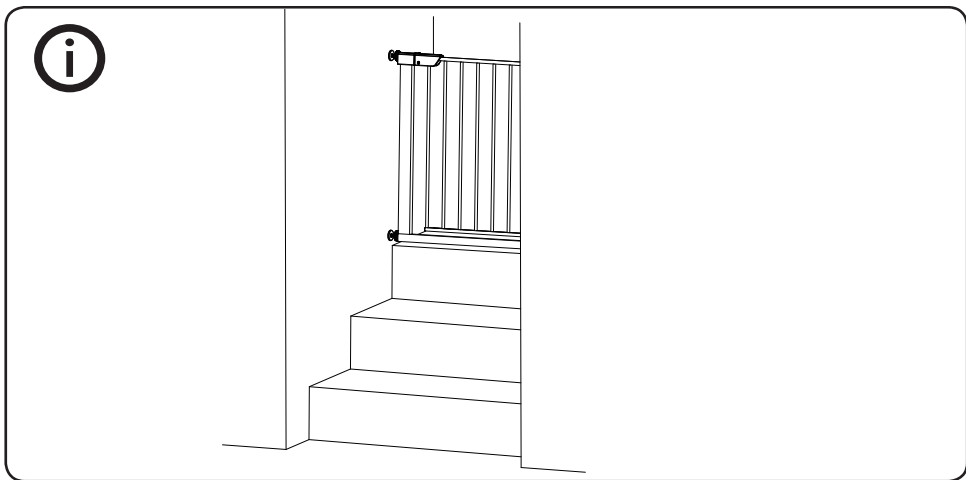
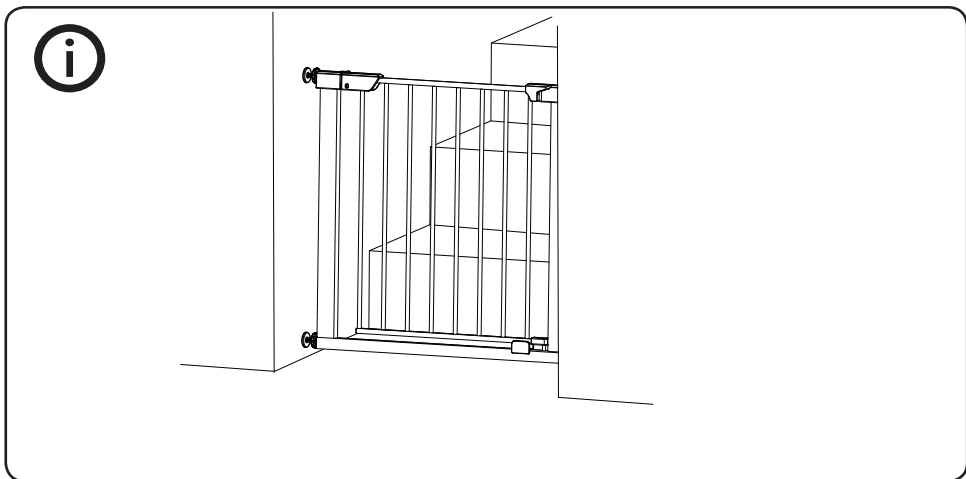
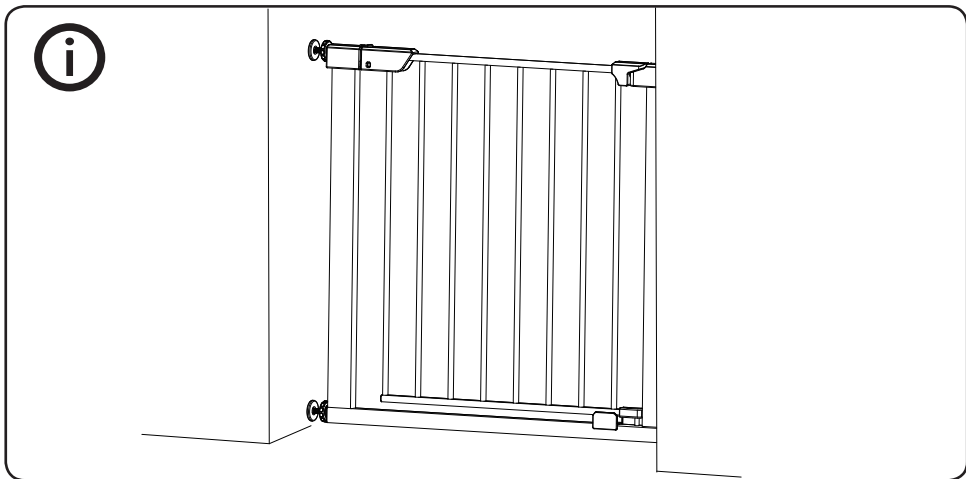


F (1x)



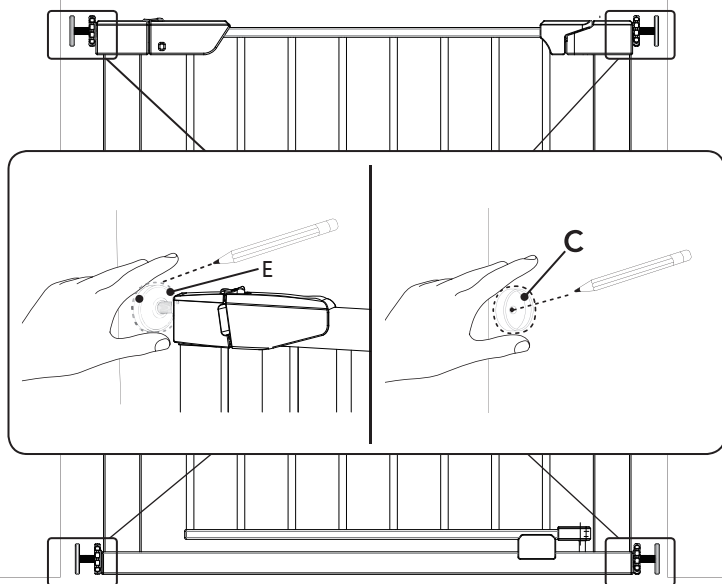
G (1x)



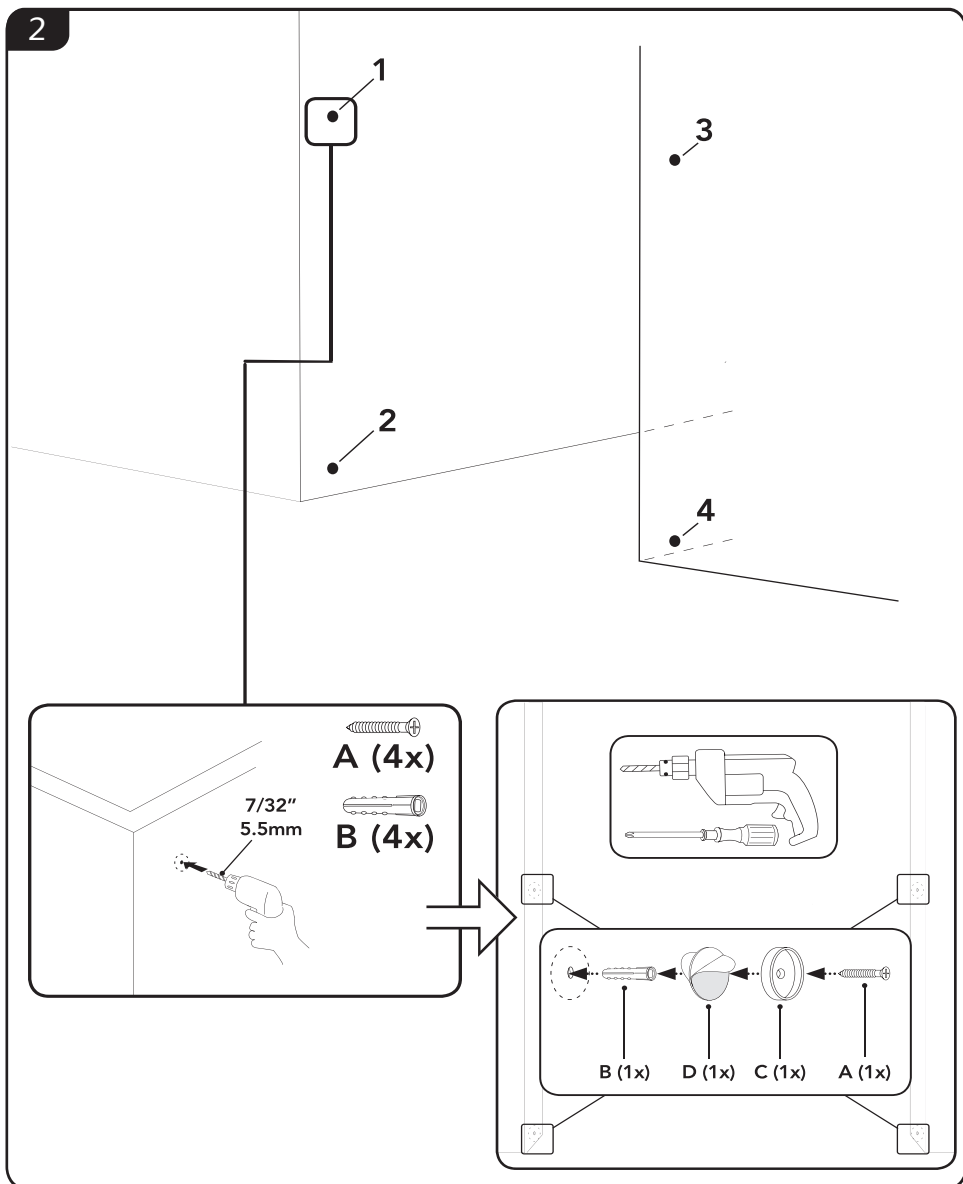


1

Pre-assemble the gate, and locate four points for hole drilling.



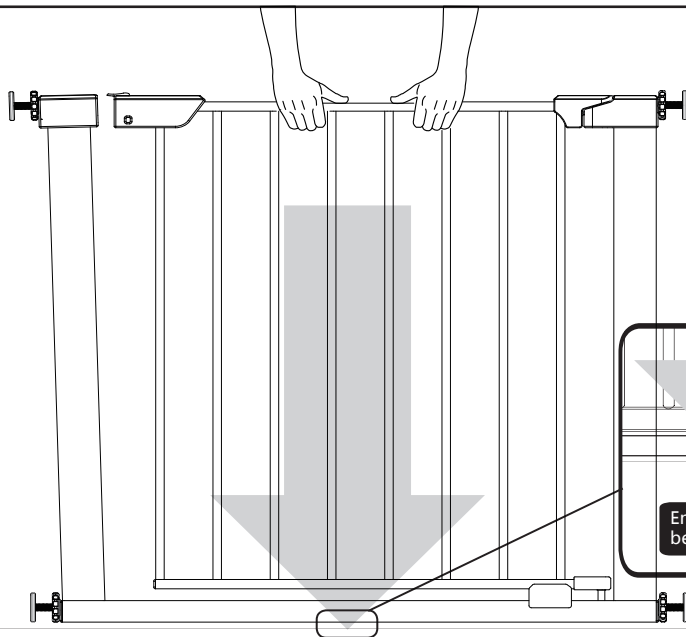
2



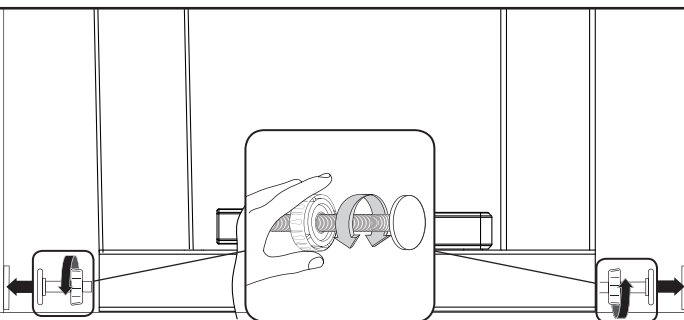
Drill hole for the 4 marked positions, then put wall plugs(B), and use (A) and (D) to fix component (C).

6

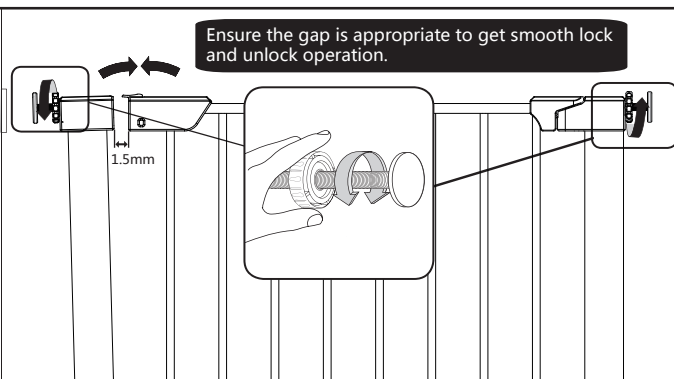
3



4

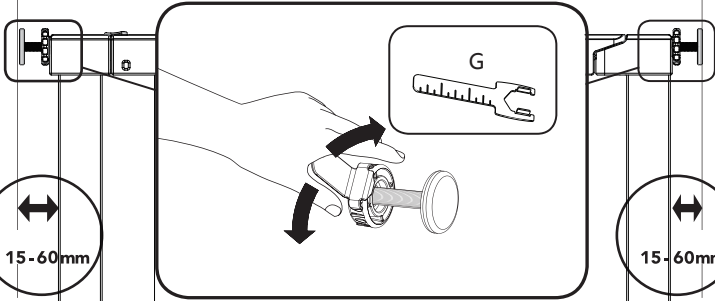


5

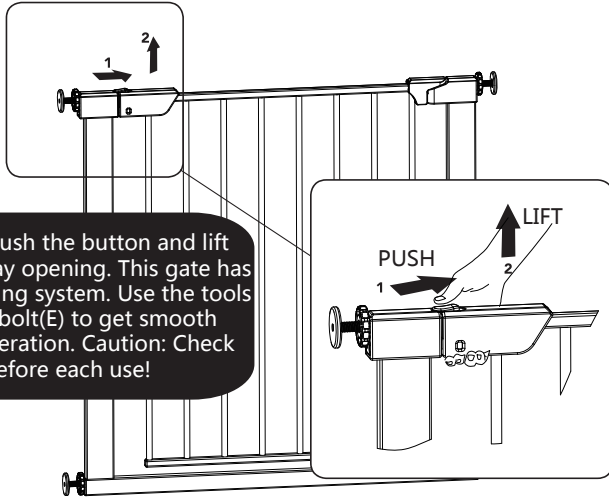




If necessary please use wrench for secure fitting.



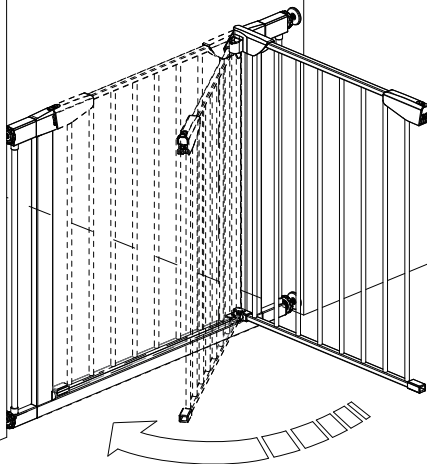
6



One-handed use, push the button and lift the gate for two way opening. This gate has a auto-closing closing system. Use the tools provided to adjust bolt(E) to get smooth lock and unlock operation. Caution: Check the lock function before each use!



The gate is closed when there is a click sound and the red mark change to green. Must ensure the gate full locked in use!



8

ARGOS
489-499 Avebury Boulevard.
Central Milton Keynes MK9 2 NW.

Please keep all the relevant information for future reference.