

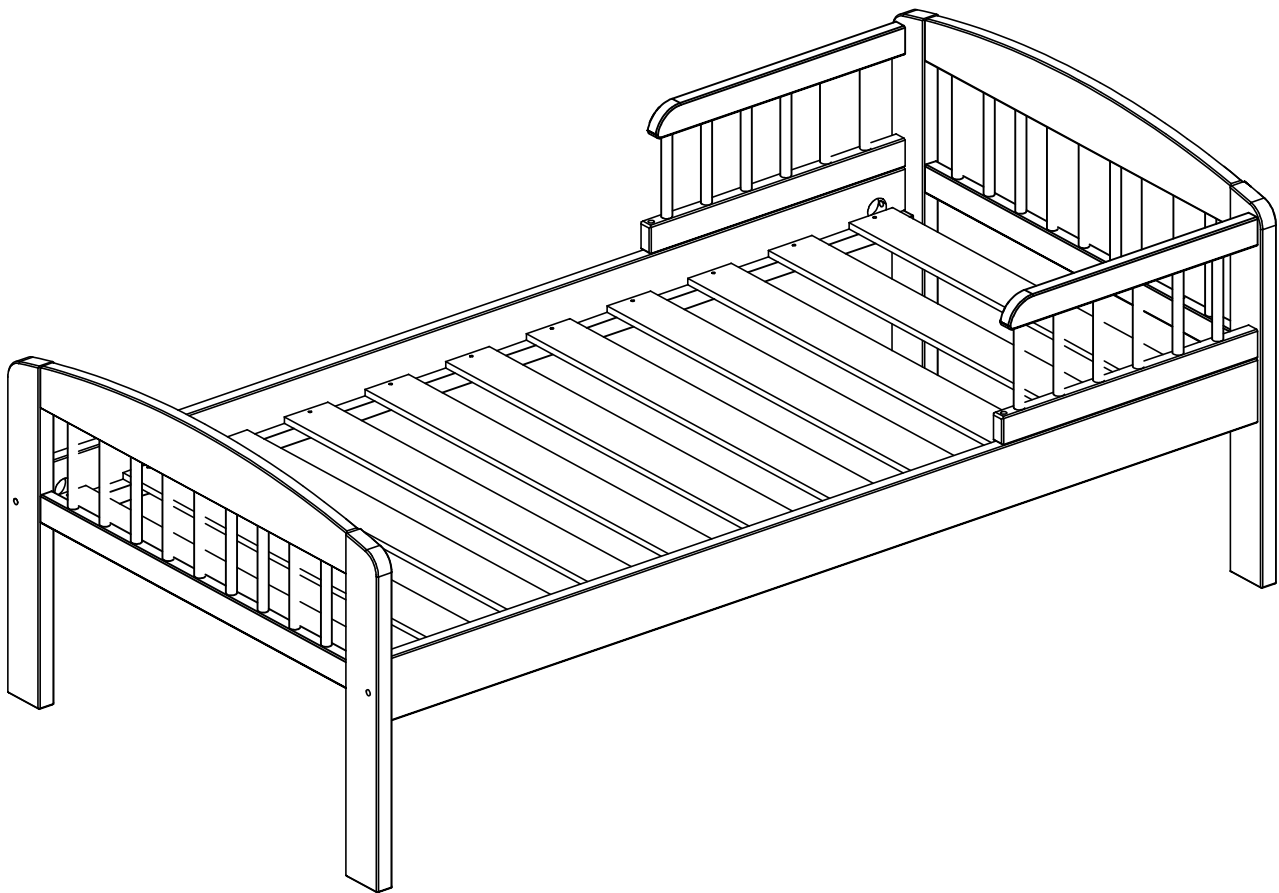
# Toddler Bed

**Assembly Instructions** - Please keep for future reference

707/3676

723/9939

**H O**  
**M E**  
**BY ARGOS**



## Dimensions

Width - 75 cm

Depth - 145cm

Height - 57cm

**Important** – Please read these instructions fully before starting assembly

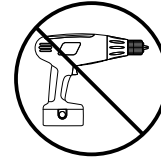
If you need help or have damaged or missing parts, call the **Customer Helpline: 03456 400 800**



# Safety and Care Advice

**Important – Please read these instructions fully before starting assembly**

- Check you have all the components and tools listed on pages 2 and 3.
- Remove all fittings from the plastic bags and separate them into their groups.
- Keep children and animals away from the work area, small parts could choke if swallowed.
- Make sure you have enough space to layout the parts before starting.
- Do not stand or put weight on the product, this could cause damage.
- Assemble the item as close to its final position (in the same room) as possible.
- Assemble on a soft level surface to avoid damaging the unit or your floor.
- This product has been produced from natural timber; you may notice some variation in the grain and colour of different component parts which is normal for furniture produced using natural wood and is not the result of any manufacturing fault.
- We do not recommend the use of power drill/drivers for inserting screws, as this could damage the unit. Only use hand screwdrivers.
- Parts of the assembly will be easier with 2 people.
- Dispose of all packaging carefully and responsibly.



## care and maintenance

- Use an appropriate furniture polish for natural wood furniture and a dry cloth to clean the product.
- Avoid placing the furniture in direct sunlight as this will cause the timber to prematurely age.
- From time to time check that there are no loose screws on this unit.
- This product should not be discarded with household waste. Take to your local authority waste disposal centre.

**IMPORTANT! KEEP IT FOR FUTURE REFERENCE, READ IT CAREFULLY.**

**Warning: Do not place this child's bed near heat sources, windows and other furniture**

**Warning: Do not use this child's bed if any part is broken, torn or missing.**

•Designed and manufactured to BS 8509:2008.

•Model: 707/3676 - 723/9939

•Retailer: Home Retail Group

•The bed is suitable for children aged from 18 months to 4 years.

•The bed is suitable for a mattress of 140cm in length and 69cm in width.

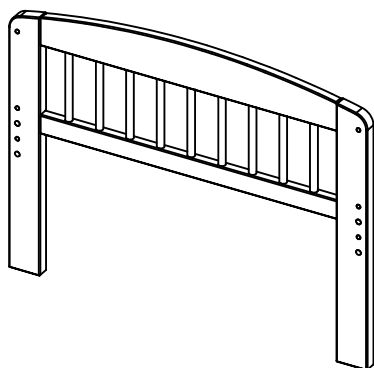
•Periodically check that all fittings are always properly tightened.

•Children are likely to play, bounce, jump and climb on beds, therefore the child's bed should not be placed too close to other furniture or windows, and should be placed either tight to any wall or have a gap of 300mm between the wall and side of the bed.

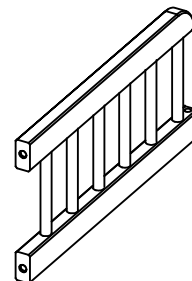
Note: if required the next page can be cut out and used as reference throughout the assembly. Keep this page with these instructions for future reference.

# Components - Panels

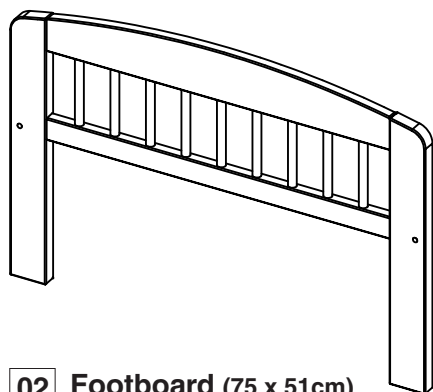
Please check you have all the panels listed below



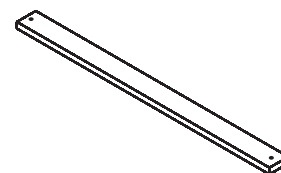
01 Headboard (75 x 57cm)



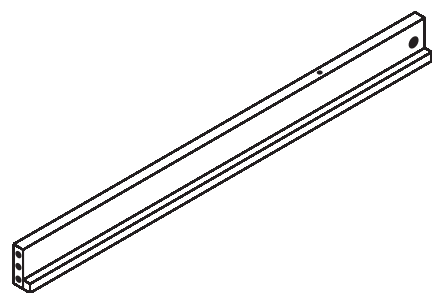
05 Guard rails x 2 (41 x 19,7cm)



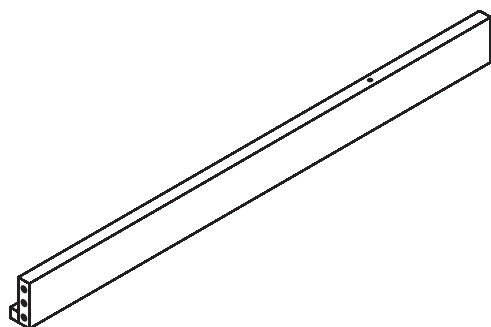
02 Footboard (75 x 51cm)



06 Slats x 12 (69 x 6.9cm)



03 Left side rail (140 x 9cm)



04 Right side rail (140 x 9cm)

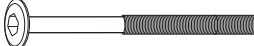


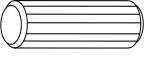
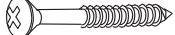

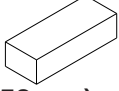



# Components - Fittings

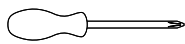
If you have damaged or missing components, call the Customer Helpline: 03456 400 800

Please check you have all the fittings listed below

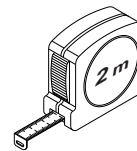
Note: The quantities below are the correct amount to complete the assembly. In some cases more fittings may be supplied than are required.

<p><b>A</b> </p> <p>70mm Bolt 1/4 x 04</p>	<p><b>B</b> </p> <p>Half-Moon Nut x 04</p>	<p><b>C</b> </p> <p>Allen key</p>
<p><b>D</b> </p> <p>40mm Wooden dowel x 08</p>	<p><b>E</b> </p> <p>25mm Screw x 24</p>	<p><b>F</b> </p> <p>60mm Bolt 1/4 x 02</p>
<p><b>G</b> </p> <p>Spacer x 02 (52mm)</p>	<p><b>H</b> </p> <p>40mm Bolt 1/4 x 04</p>	

## Tools required



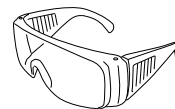
Phillips screwdriver  
(medium & large)



Ruler/tape  
measure

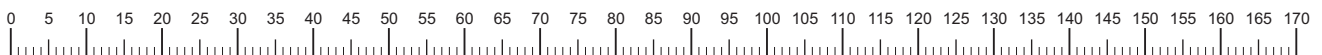


Small  
hammer



Eye protection  
(when using a  
hammer or glue)

## Ruler - Use this ruler to help correctly identify the screws

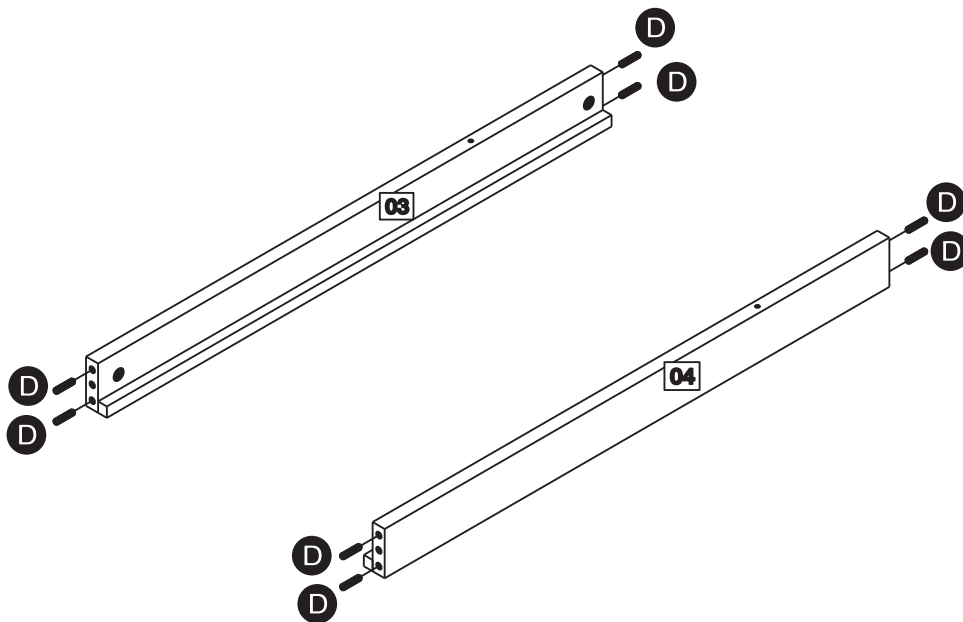


# Assembly Instructions

## Step 1

Fitting dowels

Insert dowels **D** into the indicated parts.




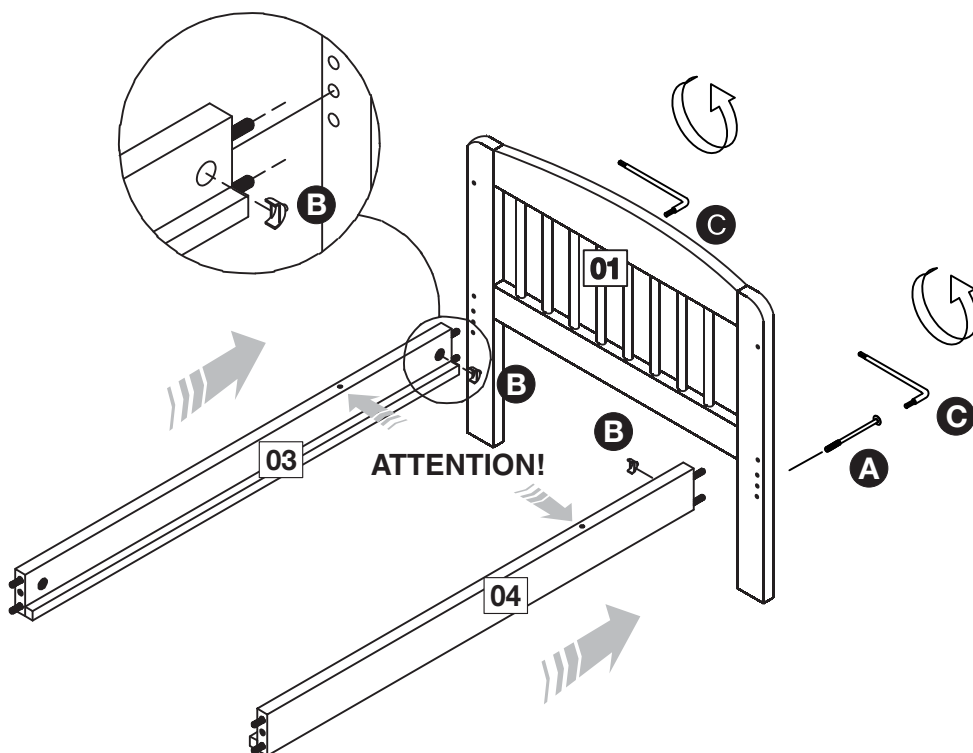
## Step 2

Assembling side rails:

Insert half moon nut **B** into side rails **03** and **04** as shown.

Then fix them to the headboard **01** using bolts **A** and allen key **C**.

 **Caution:** Make sure rails are positioned as shown with holes near to headboard.



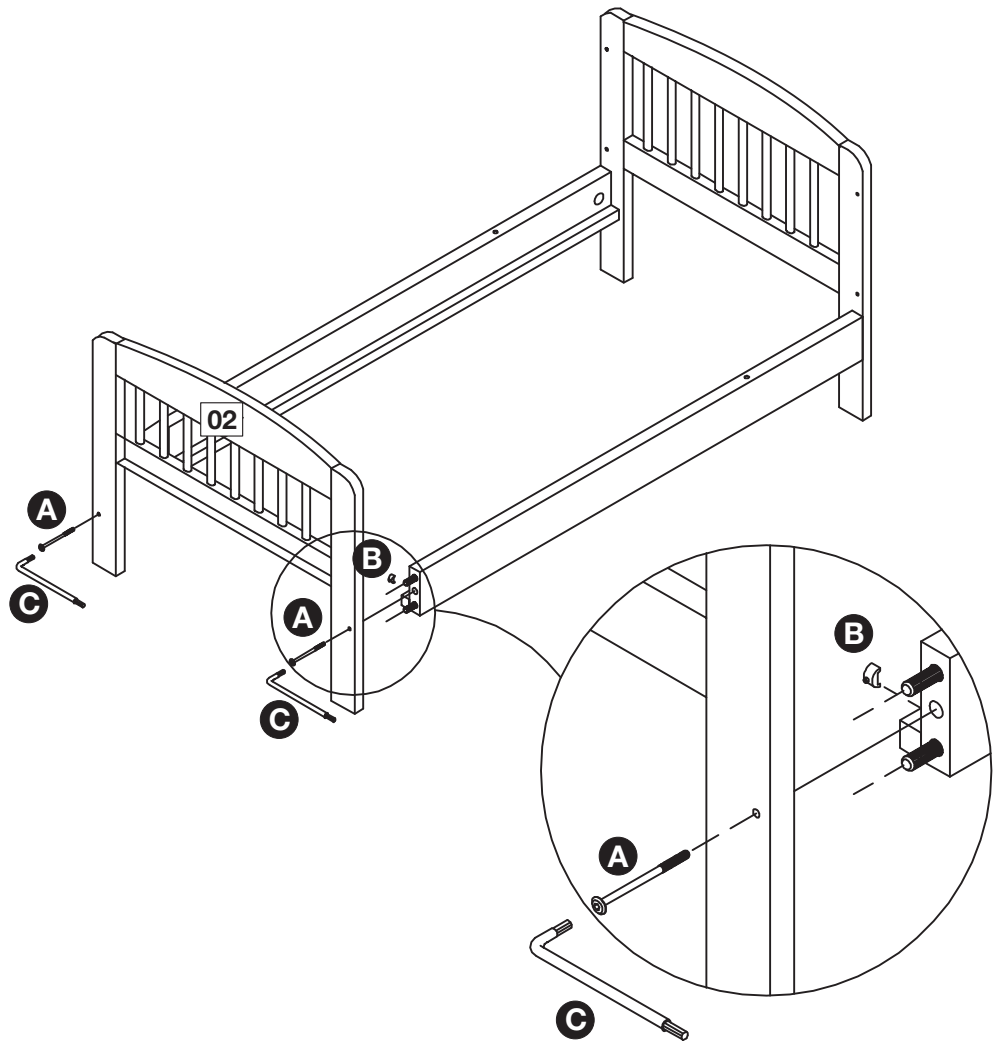
# Assembly Instructions

## Step 3

Assembling side rails:

Insert half moon nut **B** into side rails **03** and **04** as shown.

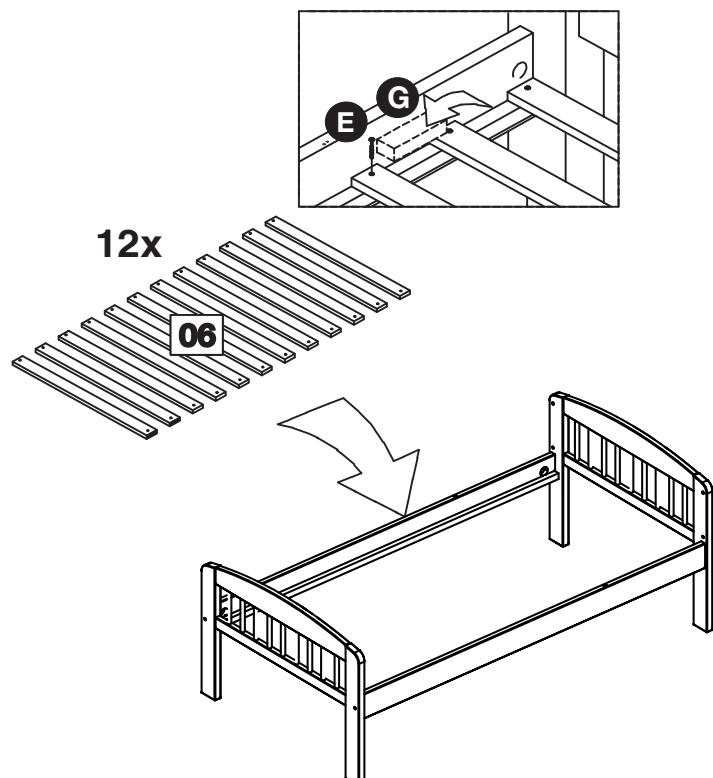
Then fix them to the footboard **02** using bolts **A** and allen key **C**.



## Step 4

Fixing slats:

Fix slats **06** adjacent to the headboard working towards the middle of the bed using the spacer **G** as shown to ensure correct spacing. Fix using screws **E**. Periodically check that all screws are tight.

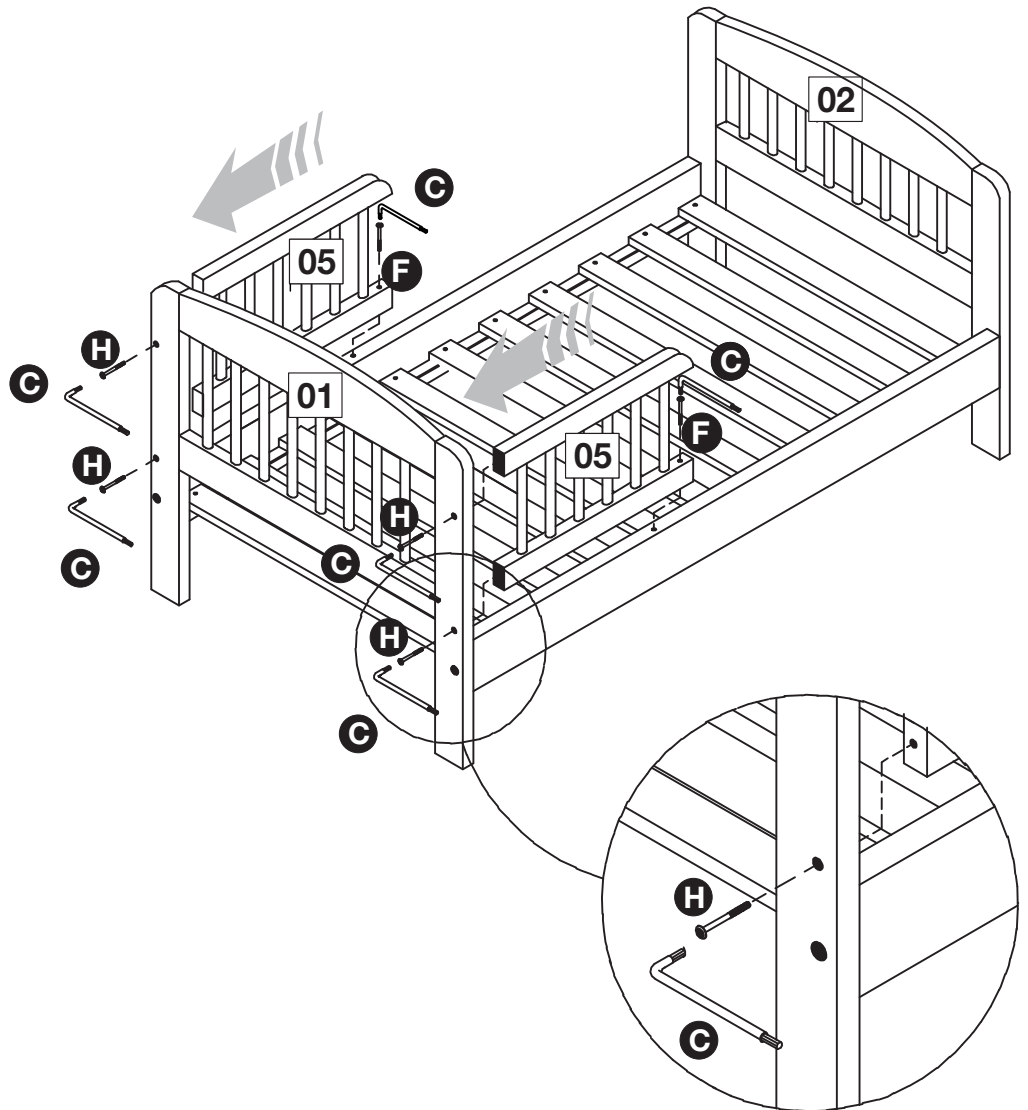


# Assembly Instructions

## Step 5

Attaching guard rails:

Fix guard rails **05** using bolts **F** **H** and allen key **G**.



Assemble is complete!