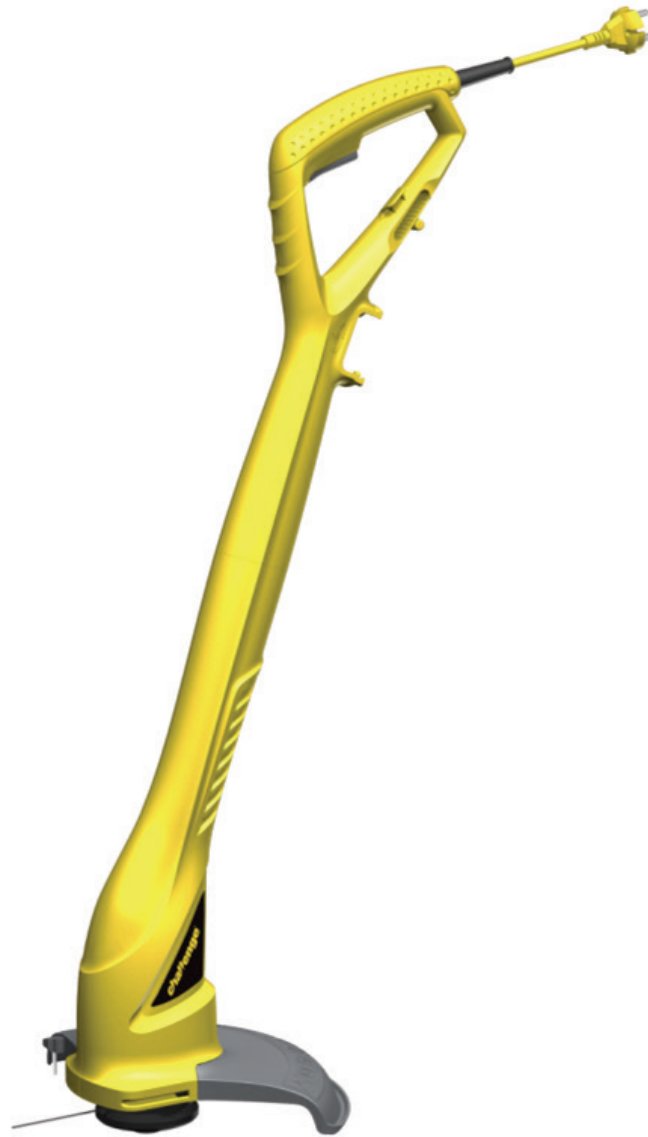


CHALLENGE

250W Grass Trimmer

7066432
(Model: GT2317)

Original Manual



challenge[®]



After Sales Support
UK/Ireland

0343 515 1906

Important - Please read these instructions fully before starting assembly

These instructions contain important information that will help you get the best from your mower, ensuring it is assembled correctly and safely.

If you need help or have damaged or missing parts, call the Customer Helpline on **0343 515 1906**.

Contents

Safety Information	3
Warnings Symbols	3
Safety Warning	4
Precautionary Measures	7
In the Box	10
Parts	10
Assembly	10
Step 1 - Assemble the Housing and Handle	11
Step 2 - Fitting the Guard	11
Operating Instructions & Tips	12
Extension Lead	12
Starting and Stopping	12
Cutting	13
Maintenance	14
Fitting a New Spool of Cutting Line	14
Spool Storage	15
Winding New Line onto a Spool	16
Troubleshooting	17
General Troubleshooting	17
Technical Data	17
Technical Data Table	17
Disposal	17
Disposal and Recycling	17
Getting Help	17

Safety Information

Important - Please read these instructions fully before starting assembly

Warnings Symbols

The following warning symbols appear throughout this assembly manual and indicate the appropriate safety measures you should take when assembly and operating the trimmer.



Take extra care, beware of hazards.



Read instruction manual.



Wear ear and eye protection.



Do not use the machine in the rain or leave it outdoors when it is raining.



Disconnect the mains plug if the cord is damage or entangled



Keep bystanders away



Noise level specification Lwa in dB.



Insulation protection class II



Do not dispose of electrical equipment in domestic waste.



Conforms to all relevant safety standards.



Safety Information

Important - Please read these instructions fully before starting assembly

Warnings Symbols (continued)



IMPORTANT! When using this equipment, the following safety precautions must be followed to avoid injuries and damage.

- Read all operating instructions carefully and comply with them. It is important to understand these instructions and to acquaint yourself with the machine, its correct usage and all safety requirements.
- Keep this manual in a safe place so that the information is available at all times.
- If you give the equipment to any other person, give them these operating instructions as well.

We accept no liability for damage or accidents which result from non-compliance with these instructions.

Safety Warning



WARNING! Be extra careful when using mains-powered appliances. Basic safety precautions, including the following, should always be followed to reduce the risk of fire, electric shock and personal injury.

- Before use, check the supply and extension cord for signs of damage or ageing. If the cord becomes damaged during use, disconnect the cord from the supply immediately. **DO NOT TOUCH THE CORD BEFORE DISCONNECTING THE SUPPLY.** Do not use the appliance if the cord is damaged or worn.
- Read the instructions carefully. Be familiar with the controls and proper use of the equipment.
- Keep the extension cord away from the cutting elements.
- Wear eye protection.



Safety Information

Important - Please read these instructions fully before starting assembly

Safety Warning(continued)

- Never allow children or people unfamiliar with these instructions to use the trimmer.
- Avoid using the trimmer if bystanders, especially children or pets, are nearby.
- Use the trimmer only in daylight or good artificial light.
- Never operate the trimmer with damaged guards or shields or without guards or shields in place.
- Switch on the motor only when your hands and feet are a safe distance from the cutting means.
- Never fit metal cutting elements to this trimmer.
- Use only the manufacturer's recommended replacement parts and accessories.
- Always disconnect the trimmer from the mains when leaving the trimmer unattended.
- Disconnect the trimmer from the mains before carrying out maintenance or cleaning work.
- Inspect and maintain the trimmer regularly. Have the trimmer repaired only by an authorized repairer.
- Take care against injury from the line cutter on the grass guard for controlling the cutting line length. After adjusting or extending new cutter line, always return the trimmer to its normal operating position before switching on.
- Always ensure that the ventilation openings are kept clear of debris.
- When not in use, store the trimmer out of the reach of children.
- If the supply cord is damaged, it must immediately be replaced by a qualified service agent to avoid further risk of electrocution or injury.



Safety Information

Important - Please read these instructions fully before starting assembly

Safety Warning (continued)

- Ensure you are familiar with the controls and proper use of the equipment
- Before use, always check the supply and extension cord for signs of damage or ageing.
- If the cord becomes damaged during use, disconnect the plug from the mains supply immediately. Do not touch the cord before disconnecting the plug from the mains supply.
- Never use the lawn trimmer if the mains cords are damaged or worn.
- Warning, cutting elements continue to rotate after the motor is switched off.
- Keep extension cords away from cutting elements at all times.
- For the safe operation of this machine, it should always be used together with a residual current device (RCD) with a tripping current of not more than 30 mA.



ATTENTION! Danger. The cutting line continues to rotate for a few moments after the motor is switched off.

SAVE THESE INSTRUCTIONS FOR USE AT A LATER DATE



Safety Information

Important - Please read these instructions fully before starting assembly

Precautionary Measures

Work area

- Do not expose the appliance to rain. Do not use the appliance in damp or wet conditions.
- Only use the appliance in daylight or good artificial light.

Personal protection

- Wear stout shoes or boots to protect your feet. Do not operate the appliance wearing open-toed sandal or when barefoot.
- Wear long trousers to protect your legs.

Using your appliance

- Be sure that the appliance is switched off before connecting it to the mains supply.
- Stay alert at all times. Watch carefully what you are doing. Use common sense.
- Do not operate the appliance when you are tired.
- If the appliance begins to vibrate abnormally, switch it off and remove the plug from the socket. Allow rotating parts to stop and inspect the appliance for damage and loose part.
- Never pull the cord to disconnect the plug from the socket. Keep the cord away from heat, oil and sharp edges.
- If the main cable becomes damaged during use. Switch the appliance off and disconnect the plug from the mains immediately. Do not touch the main cable before disconnect from the mains.

Safety of others

- Do not allow children or any person unfamiliar with these instructions to operate the appliance.



Safety Information

Important - Please read these instructions fully before starting assembly

Precautionary Measures (continued)

- Do not allow children, bystanders or animal to come near the work area or to touch the appliance or mains cable.
- Remember that the operator maybe held responsible for the accidents or hazards occurring to other people or their property.

After use

- Switch off, remove the plug from the socket and ensure that moving parts have stopped rotating before leaving the appliance unattended and before changing, cleaning or inspecting any parts of the appliance.
- When not in use, the appliance should be stored in a dry place. Children should not have access to stored appliances.

Inspection and repairs

- Before use, check the appliance for damaged or defective parts. Check for misalignment and seizure of moving part, broken parts, damage to guards and switches or any other conditions that may affect its operation.
- Do not use the appliance if any part is damaged or defective. Do not use the appliance if the switch does not turn it on and off.
- Never use the appliance when any guard or housing element is damaged or not in place.
- Ensure that the appliance will operate properly and perform its intended function.
- Have any damaged or defective parts repaired or replaced an authorized repair agent.
- Before use, check the mains cable for signs of damage, ageing or wear.



Safety Information

Important - Please read these instructions fully before starting assembly

Precautionary Measures (continued)

- Do not use the appliance if the mains cable is damaged or defective.
- If the mains cable is damaged or defective it must immediately be repaired by an authorised repair agent to avoid any further hazard.
- Never attempt to remove or replace any parts other than those specified in this manual.

General safety during usage

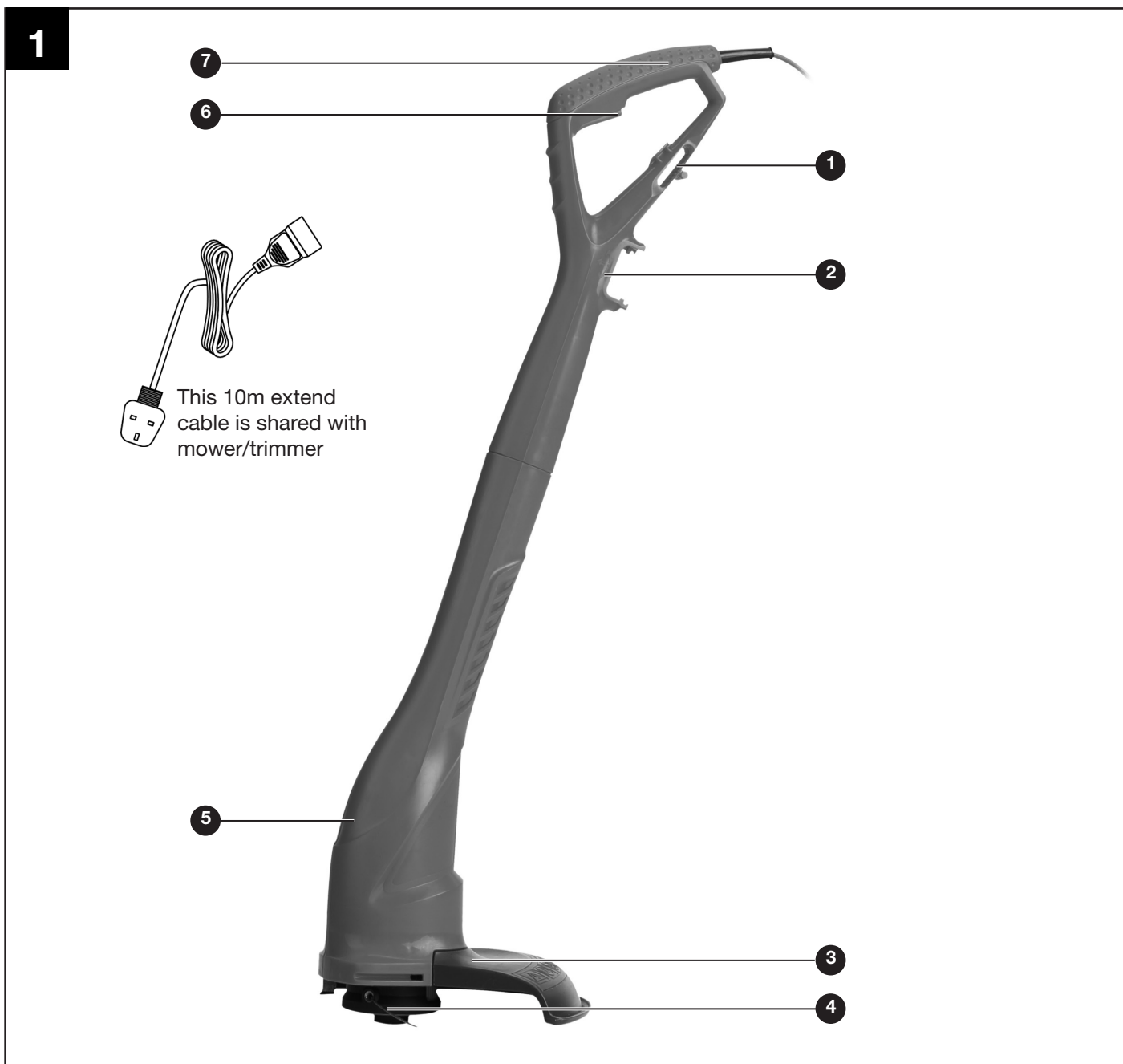
This tool is double insulated; therefore no earth wire is required. Always check that the power supply corresponds to the voltage on the rating plate.

- Before using the appliance, check that your cutting path is free from sticks, stones, wire and any other dangerous objects that may cause damage or be projected
- Only use the appliance in the correct position, with the cutting line near the ground. Never switch the appliance on in any other position.
- Switch on the appliance only when hands and feet are at a safe distance from the cutting line.
- Avoid any body contact with the cutting line while the appliance is running.
- Do not work on steep slopes, be sure of your footing. Be aware that freshly cut grass is damp and slippery.
- Use only the appropriate of cutting line. Never use metal cutting line or fishing line.
- After extending new cutting line, always return the appliance to its normal operating position before switching on.
- Take care to keep the mains cable away from the cutting line. Always be aware of the position of the cable.

In the Box

Parts

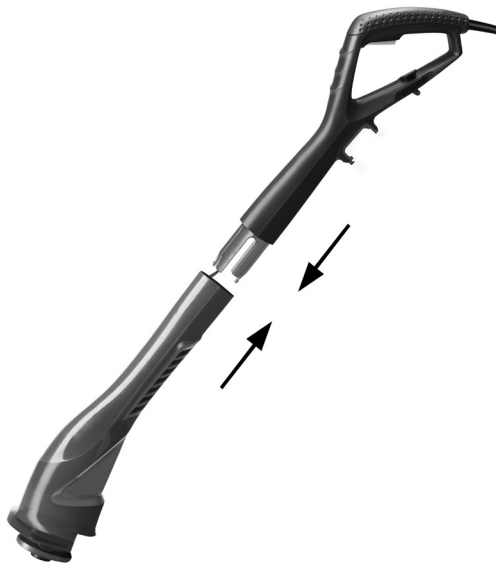
- | | | | |
|--------------------------|----------------|-----------------|----------------|
| 1 Built-In Cord Retainer | 3 Safety Guard | 5 Motor Housing | 7 Upper handle |
| 2 Spare spool holder | 4 line spool | 6 ON/OFF switch | |



Assembly

Step 1 - Assemble the Housing and Handle

2



WARNING! Before assembly, make sure that the tool is switched off and unplugged.

Step 2 - Fitting the Guard

3



4



3. Place the guard onto the tool as shown

4. Secure the guard with 2 screws

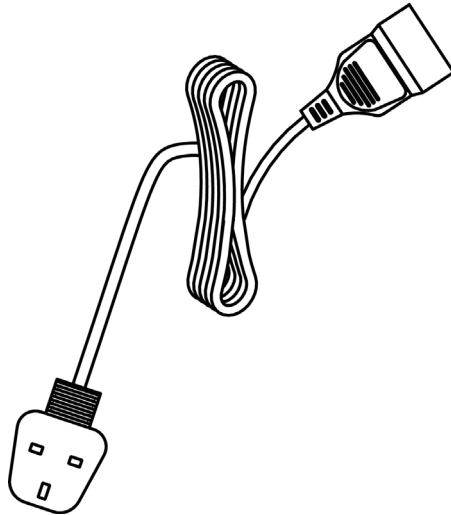


WARNING! Never use the tool unless the guard is properly fitted

Operating Instructions & Tips

Extension Lead

5



Connect the extension lead socket to the plug on the mower. Hook the cord of the extension lead through the cord retainer. This helps to prevent accidental disconnection during usage.

Starting and Stopping

6



To prevent cord disconnection, hook the mains lead through the tension strain-relief insert in the handle.

- Connect the extension lead to the device, then to the mains supply.
- Hold the device firmly with both hands. Do not place the cutter head on the ground.
- To switch on, press the on/off switch- the lawn trimmer always runs at full speed.
- To switch off, release the switch.



CAUTION! After switching the device off, the cutter head still continues to rotate for some seconds. Remember to first disconnect lead with the main supply, then with the device.

Hold the tool as show Fig 6

Operating Instructions & Tips

Cutting

- Gently swing the trimmer from side to side.
- When cutting long grass, work in stages, cutting from the top of the grass down. This helps to prevent the grass from wrapping itself around the cutter head. Keep away from hard objects and delicate pants.
- If the tool starts running slowly, reduce the load.
- In order to achieve optimum cutting results, only cut dry grass



WARNING! The On/Off switch must never be clamped in the on position. The motor must switch off after releasing the switch. If the switch is not working correctly, do not use the trimmer.

Maintenance

You tool has been designed to operate over a long period of time with a minimum of maintenance. Continuous satisfactory operation depends upon proper tool care and regular cleaning.



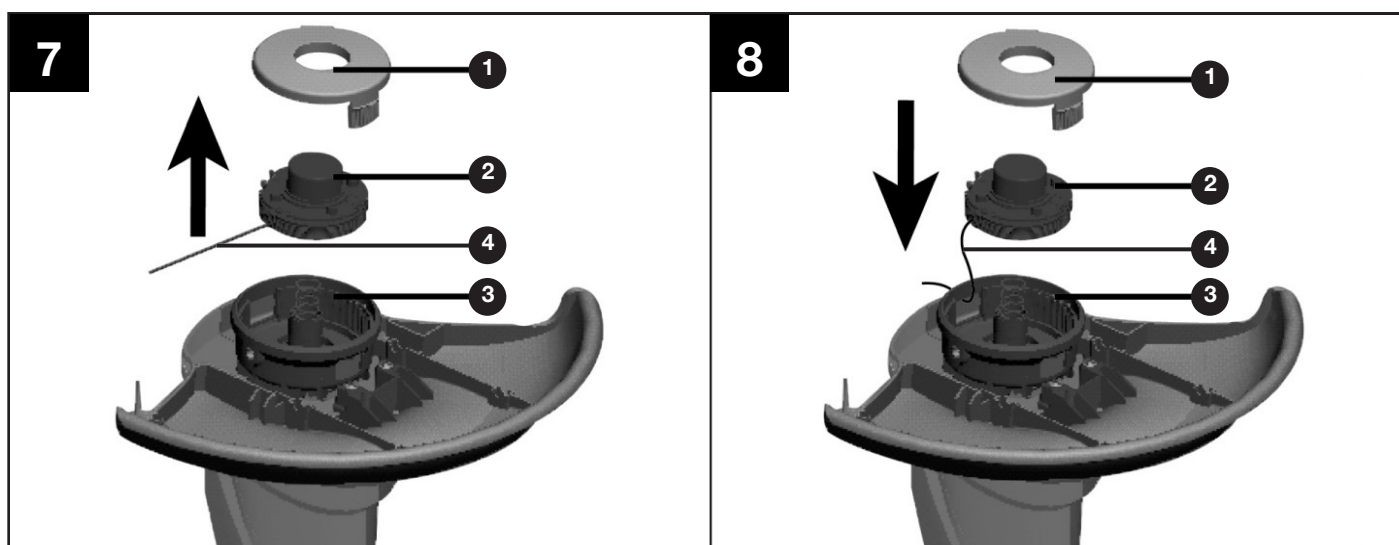
WARNING! Before performing any maintenance, switch off and unplug the tool.

Regularly clean the ventilation slot in your tool using a soft brush or dry cloth.

Regularly clean the cutting line and spool using a soft brush or dry cloth.

Regularly use a blunt scraper to remove grass and dirt from the underneath of the guard.

Fitting a New Spool of Cutting Line



Unplug the tool

- Depress the tab on the side of the spool cover and remove the spool cover **1** from the housing **3**. Remove the empty spool **2** from the housing.
- Remove any dirt and grass from the spool cover and housing. Insert the new spool and push it into the boss in the housing.
- Unclip the end of cutting line **4** and guide the line into eyelet in the housing. The line should protrude approx. 10cm from the housing.
- Align the tabs on the spool cover with the outlets in the housing.

Push the cover onto the housing until it snaps securely into place.

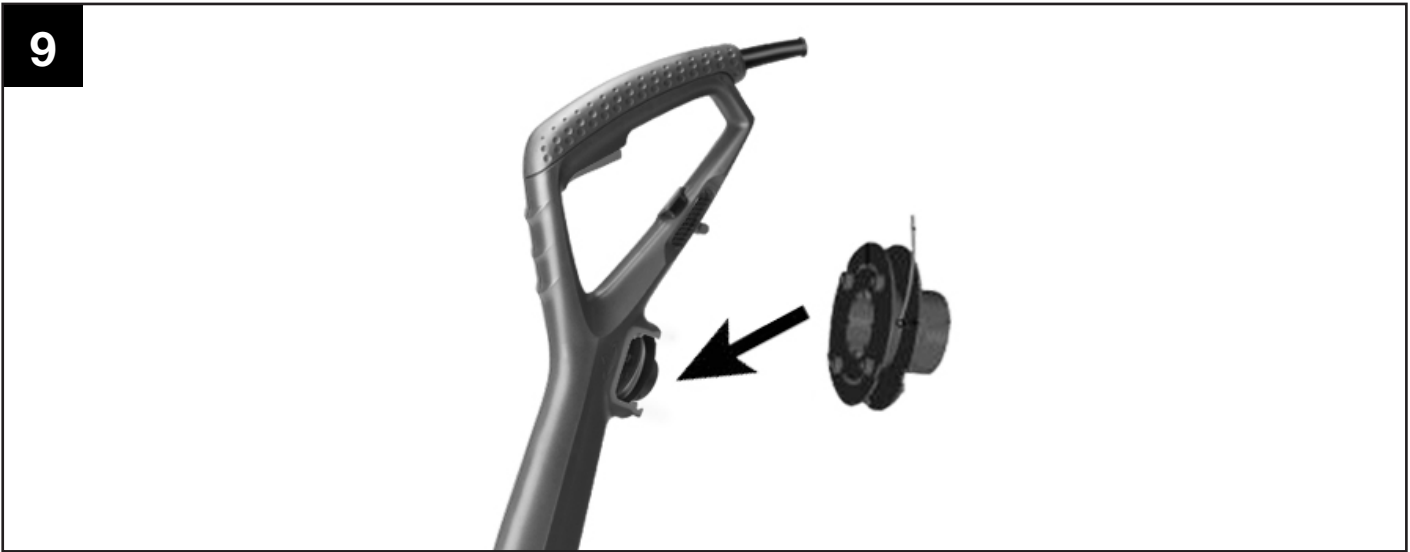


WARNING! If a cutting line protrudes beyond the trimming blade, cut it off so that it just reaches the blade.

Maintenance

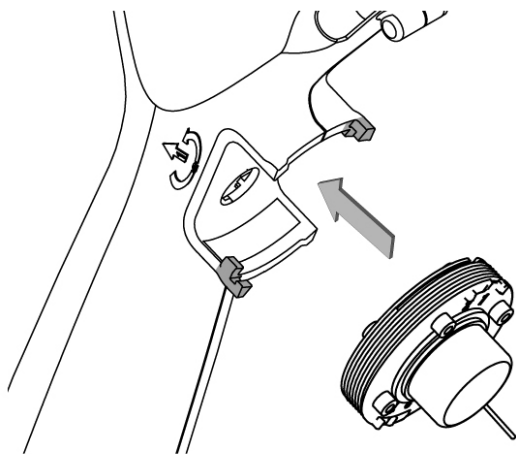
Spool Storage

9

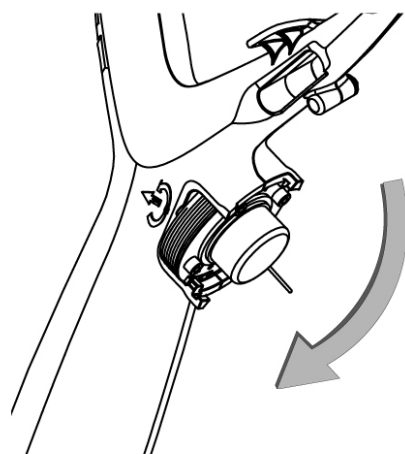


A spare cutting line spool can be stored in the recess below the rear handle. If you store your spare spool here it will always be ready to hand when the line on the spool being used runs out.

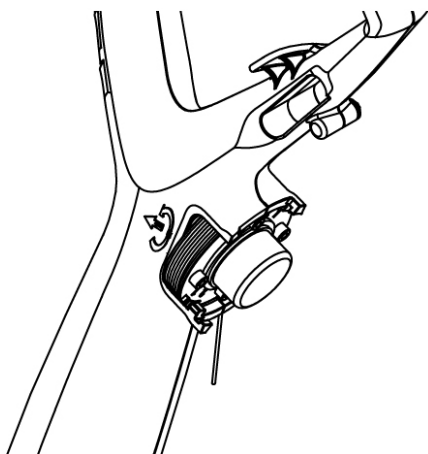
10



11



12



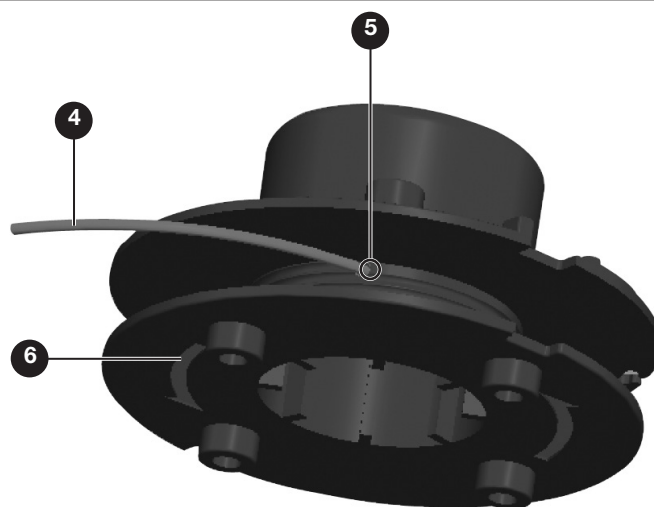
Maintenance

Spool Storage (continued)

10. To store a spare spool, push it into the recess as shown.
11. Turn the spool as illustrated to lock it in place.
12. The spool should sit securely in the recess and will always be conveniently available when the line on the spool runs out.
To remove it, turn it the spool in the opposite direction and pull it back out.

Winding New Line onto a Spool

13



- You may wind new cutting line onto an empty spool. Replacement packs of cutting line are available from your retailer. **Use 1.5mm line**
- Remove the empty spool from the tool as described above.
- Remove any remaining cutting line from the spool.
- First feed 1cm of cutting line (4) into eyelet (5) in the bottom section of the spool as show
- Wind the cutting line onto the spool in the direction of the arrow (6). Make sure to wind the line on neatly and in layers. Do not criss-cross.
- Lock the cutting line into a slot on the edge of spool.
- Insert the spool into the cutter head assembly as described above. Do not forget to release the cutting line from the slot on the edge of the spool.



WARNING! Only use the appropriate type of cutting line.

Troubleshooting

General Troubleshooting

If your tool seems not to operate properly, follow the instruction below. If this does not solve the problems, please contact your local repair agent.



WARNING! Before proceeding, switch off and unplug **Tool runs slowly.**

Check that the spool housing can rotate freely. Carefully clean it if necessary.

Check that the cutting line does not protrude more than 8cm from the spool housing. If it does, cut it off so that it just reaches the line trimming blade.

Technical Data

Technical Data Table

Specification	Value
Voltage	230-240V~, 50Hz
Power input	250W
Motor speed	13000min ⁻¹
Cutting width	23 cm
Line diameter	1.5 mm
Line length	1 x 5 m
Weight	1.3 kg
Sound pressure level (dB)	86 dB(A)
Sound uncertainty value (dB)	3 dB
Sound power level Lwa (dB(A))	96 dB(A)
Vibration value (m/s ²)	4.3m/s ² K=1.5m/s ²

Disposal

Disposal and Recycling



Do not dispose with household waste.

Recycle products and components according to local legal requirements.

Getting Help

After sales helpline number: 0343 515 1906