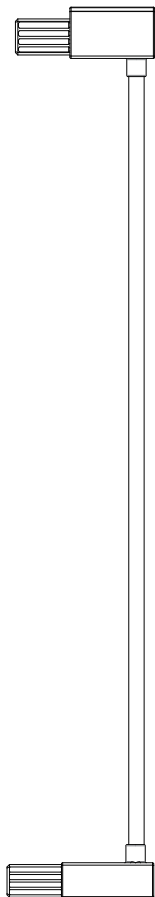


CUGGL 7CM PRESSURE FIT EXTENSION KIT

IMPORTANT! KEEP THE INSTRUCTION FOR FURTHER REFERENCE

706/3868

cuggl 



Important

Age: 6 - 24 months

Important – Please read these instructions fully before assembly or use

These instructions contain important information which will help you get the best from your product and ensure safe and correct assembly, use and maintenance.

If you need help or have damaged or missing parts, call the **Customer Helpline: 03456 400 800**

IMPORTANT! READ AND FOLLOW THESE INSTRUCTIONS AND THE INSTRUCTIONS OF CAT 703/6613, CAREFULLY AND KEEP FOR FUTURE REFERENCE

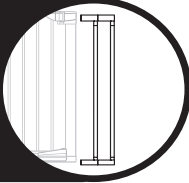
The extension is only designed to fit for Cat. 703/6613 Cuggl pressure fit safety gate. This product has been designed to comply with the EN1930:2011.

WARNING — Read the instructions before installation as incorrect installation can be dangerous.

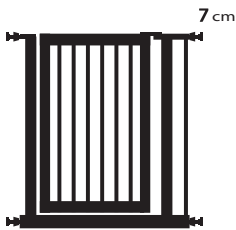
WARNING — This safety gate extension must not be fitted across windows.

WARNING — Never use without wall cups.

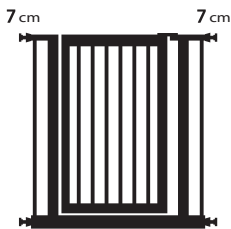
Available
Extensions



Extensions Information



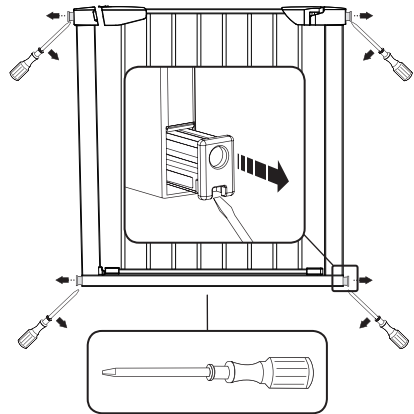
82cm - 89cm



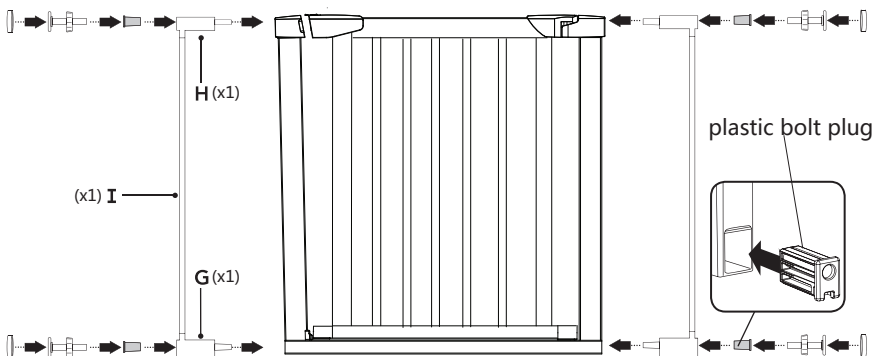
89cm - 96cm

1

Take out the plastic bolt plugs from which pre-assembled on the original 703/6613 safety gate.



2



Put on one or two the extension bar according to the door width.
Insert the plastic bolt plugs into the extension bar.
Then follow the Installation Manual of the original 703/6613 safety gate.

ARGOS
489-499 Avebury Boulevard.
Central Milton Keynes MK9 2 NW.

Please keep all the relevant information for future reference.