



BORN INNOVATIVE

HOOVER

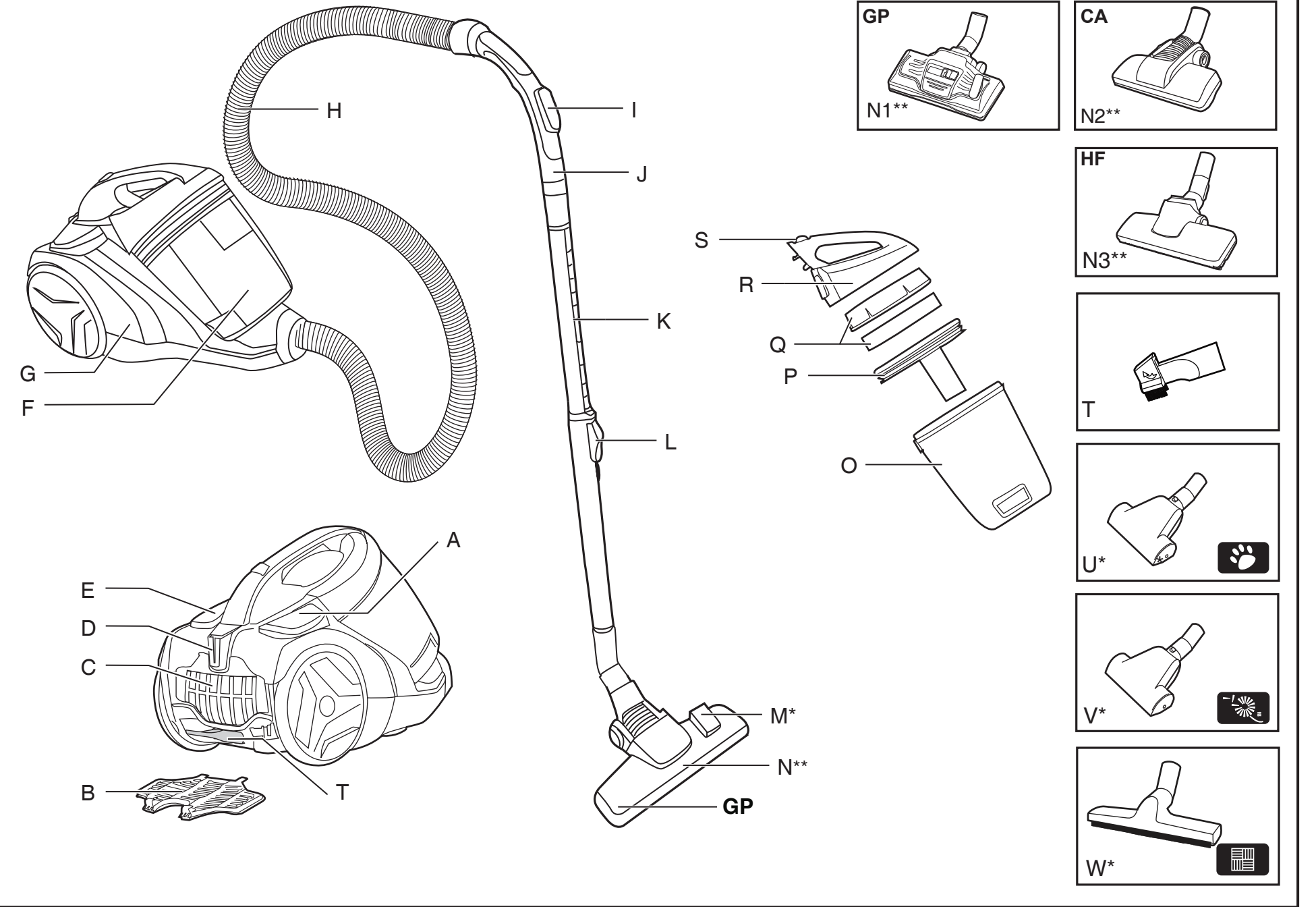


USER MANUAL

PRINTED IN P.R.C.
48022298

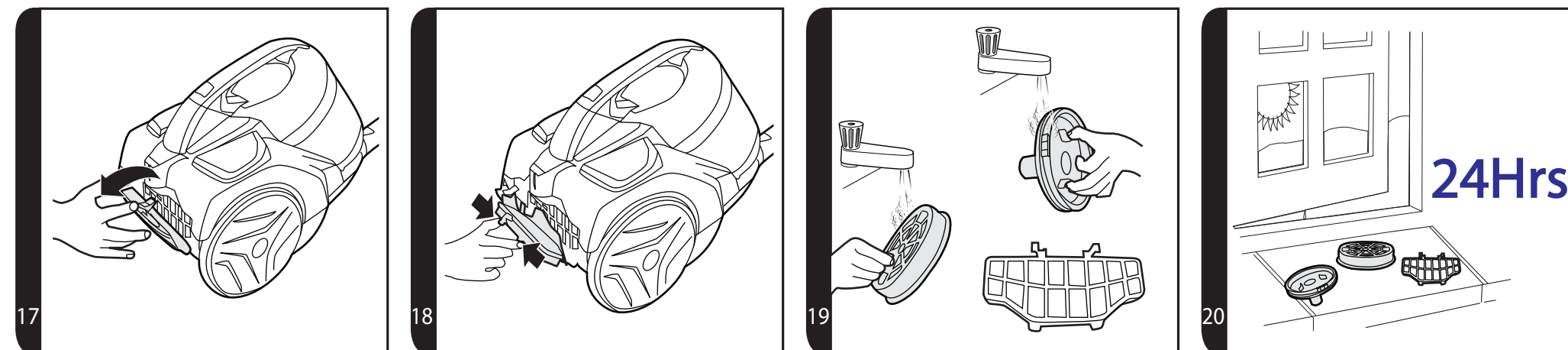
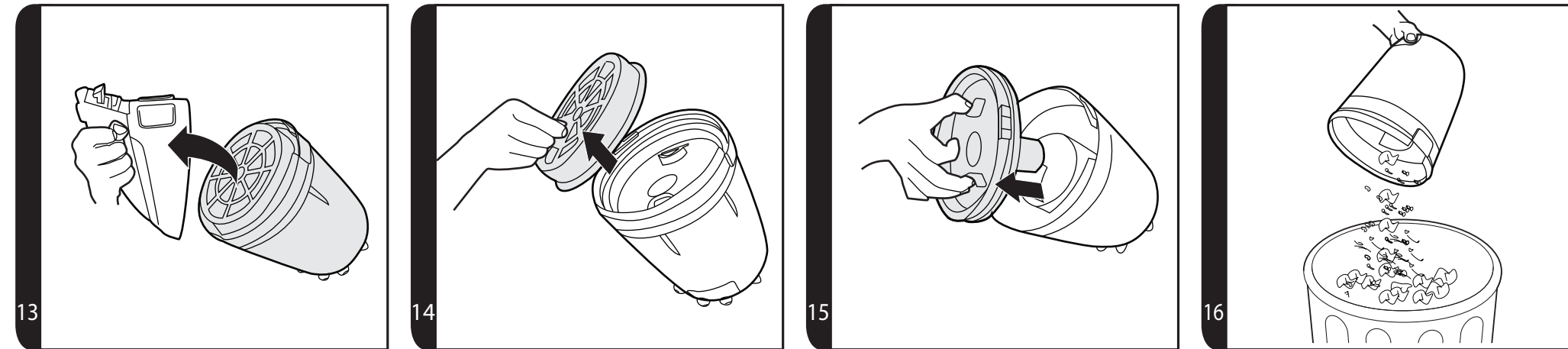
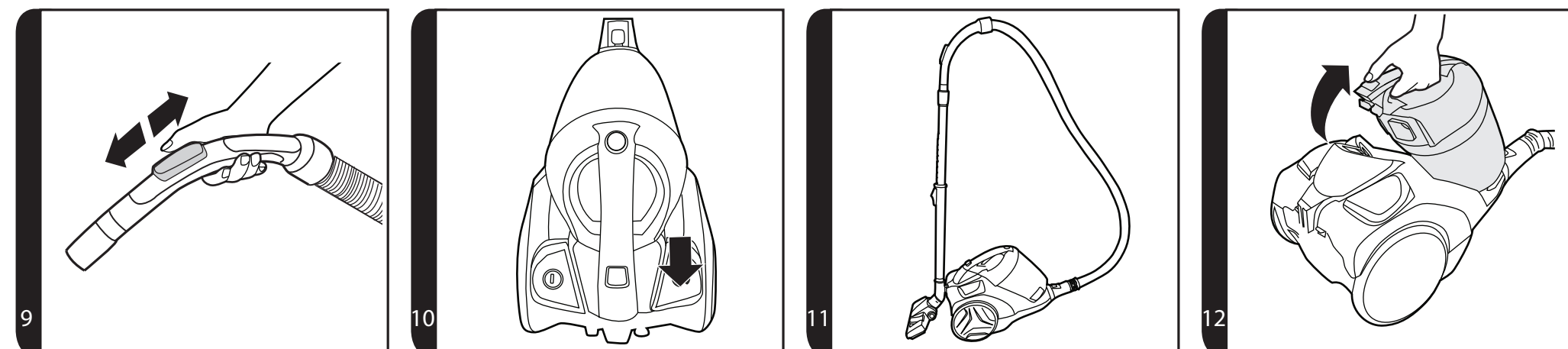
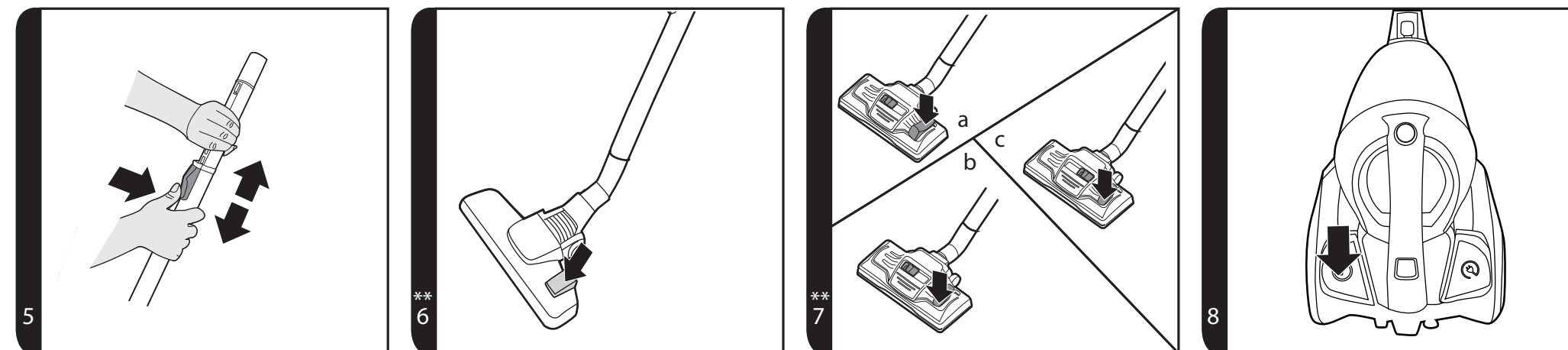
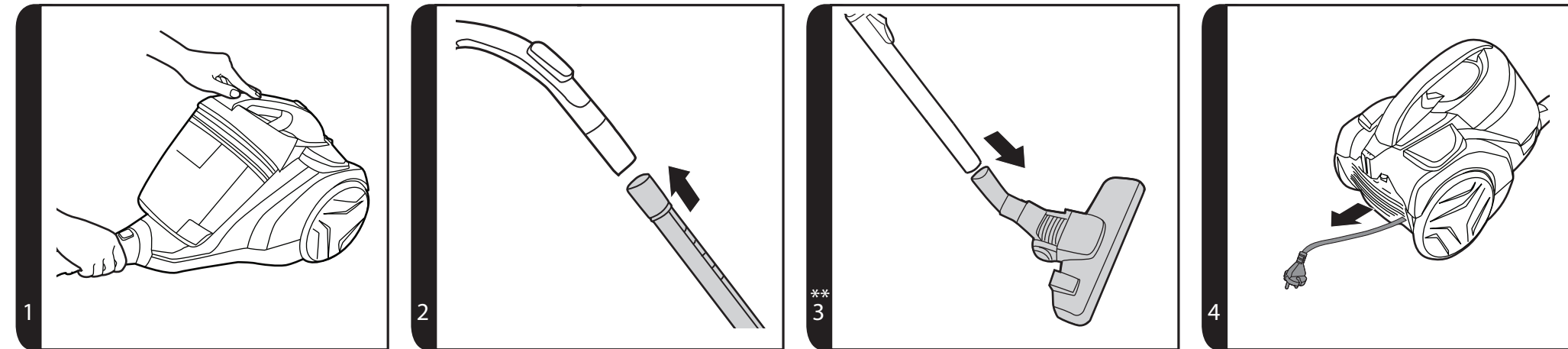


BORN INNOVATIVE



* Certain models only

** Certain models only, nozzles may vary according to model



* Certain models only

** Certain models only, nozzles may vary according to model

INSTRUCTIONS FOR SAFE USE

This appliance should only be used for domestic cleaning, as described in this user guide. Please ensure that this guide is fully understood before operating the appliance.

Do not leave the appliance plugged in. Always switch off and remove the plug from the socket after use, or before cleaning the appliance or any maintenance task.

This appliance can be used by children aged from 8 years and above and persons with reduced physical, sensory or mental capabilities or lack of experience and knowledge if they have been given supervision or instruction concerning use of the appliance in a safe way and understand the hazards involved. Children shall not play with the appliance. Cleaning and user maintenance shall not be made by children without supervision.

If the power cord is damaged stop using the appliance immediately. To avoid a safety hazard, an authorised HOOVER service engineer must replace the power cord.

Keep hands, feet, loose clothing and hair away from rotating brushes.

Use only attachments, consumables or spares recommended or supplied by HOOVER.

Static electricity: Some carpets can cause a small build up of static electricity. Any static discharge is not hazardous to health.

Do not use your appliance out of doors or on any wet surface or for wet pick up.

Do not pick up hard or sharp objects, matches, hot ashes, cigarette ends or other similar items.

Do not spray with or pick up flammable liquids, cleaning fluids, aerosols or their vapours.

Do not run over the power cord when using your appliance or remove the plug by pulling on the power cord.

Do not continue to use your appliance if it appears faulty.

HOOVER service: To ensure the continued safe and efficient operation of this appliance we recommend that any servicing or repairs are only carried out by an authorised HOOVER service engineer.

Do not stand on or wrap the cord around arms or legs when using your appliance.

Do not use the appliance to clean animals or people.

Do not position the appliance above you when cleaning the stairs.

The Environment

The symbol on this appliance indicates that this appliance may not be treated as household waste. Instead it must be handed over to the applicable collection point for the recycling of electrical and electronic equipment. Disposal must be carried out in accordance with local environmental regulations for waste disposal. For more detailed information about treatment, recovery and recycling of this appliance, please contact your local city office, your household and waste disposal service or the shop where you purchased the appliance.



C E This appliance complies with the European Directives 2014/35/EU, 2014/30/EU and 2011/65/EU.

CANDY HOOVER GROUP S.r.l. Via Privata Eden Fumagalli, 20861 Brugherio (MB) Italy

GETTING TO KNOW YOUR CLEANER

- A. Cord Reel Pedal
- B. Exhaust Filter Cover
- C. Exhaust Filter
- D. Parking Slot
- E. On/Off Pedal
- F. Dust Container Assembly
- G. Main Body
- H. Hose
- I. Suction Regulator
- J. Hose Handle
- K. Telescopic Tube
- L. Telescopic Tube Adjuster
- M. Floor Type Selector Pedal*
- N. & N1. Carpet And Floor Nozzle(GP)**
N2. Carpet Nozzle (CA)**
N3. Hard Floor Nozzle (HF)**
- O. Dust Container
- P. Vortex Finder
- Q. Pre-motor filter Assembly
- R. Dust Container Lid
- S. Dust Container Release Button
- T. 2 in 1 Accessory
- U. Pet Hair Remover Mini Turbo Nozzle*
- V. Allergen Remover Mini Turbo Nozzle*
- W. Parquet Nozzle*

ASSEMBLING YOUR CLEANER

Remove all components from the packaging.

1. Connect the hose to the cleaner main body, ensuring it clips and locks into position. To release: simply press the button on the hose end and pull. [1]
2. Connect the hose handle to the upper end of the extension tube [2], or accessories, if required.
3. Connect the lower end of the telescopic tube to the Carpet & Floor nozzle** [3] or accessories if required.

*Certain Models Only ** Certain models only, nozzles may vary according to model

USING YOUR CLEANER

1. Extract the power cord and plug it into the power supply. Do not pull the cord beyond the red marker.[4]
2. Adjust the telescopic tube to the desired height by moving the telescopic tube adjuster up and raise or lower the handle to the most comfortable cleaning position. [5]
3. Carpet & Floor Nozzle**. Press the floor type selector on the nozzle [6] to select the ideal cleaning mode for the floor type.

Hard Floor – Brushes are lowered to protect the floor.

Carpet – Brushes are raised for deeper cleaning.

Carpet & Floor Nozzle**: [7]

- **Hard floor Cleaning:** Press the pedal on the nozzle on Hard Floor mode and adjust the slider on the nozzle on ALL FLOORS. In this position brushes, wheels and wiper blade are lowered to protect hard floors. [7a]
- **Standard Carpet & Rugs Cleaning:** Press the pedal on the nozzle on Carpet mode and adjust the slider on the nozzle on ALL FLOORS. In this position brushes and wiper blade are raised while wheels are lowered to allow a perfect ease of movement on such surfaces. [7b]
- **Deep Carpet cleaning:** Press the pedal on the nozzle on Carpet mode and adjust the slider on the nozzle on DEEP CARPET CLEANING. In this position brushes, wheels and wiper blade are raised for a deeper cleaning of your carpet. [7c]

WARNING: It is recommended to avoid potential scratching of wooden floors that the pedal is not set on hard floor mode and the slider on deep carpet cleaning.

4. Switch the cleaner on by pressing the on/off Pedal on the cleaner main body. [8]
5. Adjust the suction regulator on the handle to the desired level.[9]
6. Switch off at the end of use by pressing the on/off Pedal. Unplug and press the cord reel pedal to wind the power cord back into the cleaner. [10]

PARKING AND STORAGE SECTION

The tube and the nozzle can be parked on the back of the cleaner for storage or temporary storage while in use. [11]

ACCESSORIES

To obtain the best performance and energy efficiency ^{#1} it is recommended that the correct nozzles are used for the main cleaning operations. These nozzles are indicated in the diagrams by the letters **GP**, **HF** or **CA**.

A nozzle type **GP** can be used to clean both carpet and hard floor.

A nozzle type **HF** is suitable for use only on hard floor.

A nozzle of type **CA** is suitable for use only on carpet.

The other nozzles are accessories for specialist cleaning tasks and are recommended for occasional use only.

It is important to note that this vacuum cleaner is supplied with an Energy Label as required by European Regulation (EU) 665/2013.

If the label shows a red prohibition circle on the left covering the carpet symbol, then this indicates that the vacuum cleaner is not suitable for use on carpets.

If the label shows a red prohibition circle on the right covering the hard floor symbol, then this indicates that the vacuum cleaner is not suitable for use on hard floors.

#1 NOTE: Dust pick up ability carpet, dust pick up ability hard floor, and energy efficiency in accord with Commission Regulations (EU) 665/2013 and (EU) 666/2013.

All accessories can be fitted to the end of the hose handle or the end of the tube.

2 in 1 Accessory – Combines several functions into one tool: [T]

Crevice Tool – For corners and hard to reach areas.

Dusting Brush – For bookshelves, frames, keyboards and other delicate areas.

Pet Hair Remover Mini Turbo Nozzle* - Use the mini turbo nozzle on stairs or for deep cleaning on textile surfaces and other hard to clean areas. Particularly suitable for pet hair removal. [U]

Allergen Remover Mini Turbo Nozzle* – Use the mini turbo nozzle on stairs or for deep cleaning on textile surfaces and other hard to clean areas. Particularly suitable for allergen removal. [V]

Parquet Nozzle * - For Parquet floors and other delicate floors. [W]

IMPORTANT: Do not use the Mini Turbo nozzles on rugs with long fringes, animal hides and carpet pile deeper than 15mm. Do not keep the nozzle stationary while the brush is rotating.

CLEANER MAINTENANCE

Emptying the Dust Container

When the dust reaches the max level indicator in the container, empty the dust container.

IMPORTANT: To maintain optimum performance do not allow the dust to sit higher than the max level.

1. Turn the cleaner off switching the on/off pedal and unplug the power cable.
2. Press the dust container release button and remove the dust container assembly from the cleaner. [12]
3. Hold the dust container with one hand, and remove the dust container lid by rotating anti-clockwise. [13]
4. Remove the pre-motor filter assembly from bin assembly. [14]

*Certain Models Only ** Certain models only, nozzles may vary according to model

5. Remove the Vortex Finder from bin assembly. [15]
6. Empty the dust from the bin. [16]
7. Refit the vortex finder and pre-motor filter assembly to bin assembly.
8. Refit the dust container lid to bin assembly.
9. Close and refit to the cleaner main body.

Cleaning the washable filters

The cleaner is fitted with pre-motor filter and exhaust filters. To maintain optimum cleaning performance, regularly remove the filters and tap against the side of the dust container to release dust. The filters should be washed every 5 cassette empties or when the filters have excessive dust level.

IMPORTANT: All bagless cleaners require regular filters cleaning. Failure to clean your filters may result in air blockage, overheating and product failure. This may invalidate your guarantee.

IMPORTANT: Regularly check and maintain the filters.

IMPORTANT: Always ensure the filter pack is fully dry before use.

To access the pre-motor filter:

1. Remove the dust container from the cleaner. [12]
2. Hold the dust container with one hand, and remove the dust container lid by rotating anti-clockwise. [13]
3. Remove the pre-motor filter assembly from dust container assembly. [14]
4. Gently tap and wash the pre-motor filter. Do not use hot water or detergents. Remove excess water from the filter and leave to dry fully before re-using. [19,20]
5. Reassemble the pre-motor filter assembly once fully dry and refit it into the cleaner.

To access the exhaust filter:

1. Unclip the exhaust filter cover from the rear of the cleaner main body. [17]
2. Remove the exhaust filter from the rear of the cleaner. [18]
3. Gently tap and wash the filter using warm water. Do not use hot water or detergents.
4. Remove excess water from the filter and leave to dry fully before re-using. [19,20]
5. Refit the exhaust filter to the rear of the cleaner once fully dry and refit the exhaust filter cover.

IMPORTANT: Do not use the product without the filter pack fitted.

Cleaning the dust container / separation unit

This cleaner uses a separation system unique to Hoover. If necessary the separation unit can be disassembled from the dust container and cleaned.

1. Press the dust container release button and remove the dust container assembly from the cleaner. [12]

2. Hold the dust container with one hand and with the other remove the dust container lid by rotating anti-clockwise. **[13]**
3. Remove the pre-motor filter from dust container assembly. **[14]** Then remove the vortex finder from the dust container by pulling it. **[15]**
4. If necessary, use a cloth to remove excessive dust from the vortex finder surface. Reassemble the internal components to the bin.
5. Reassemble the dust container lid to the dust container. Refit the dust container into the cleaner.

Removing a blockage

1. Check if the dust container is full. If so refer to 'Emptying the dust container.'
2. If the dust container is empty but suction is still low:
 - A. Do the filters need cleaning? If so refer to 'Cleaning the washable filters'.
 - B. Check if there is any other blockage in the system - Use a rod or pole to remove any blockage from the telescopic tube or hose.
 - C. Check for and clear any blockage in the Nozzle.
 - D. Check if the separation unit needs to be cleaned.
Refer to 'Cleaning the separation unit.'

USER CHECKLIST

Should you have a problem with the product, complete this simple user checklist before calling your local Hoover service.

- Is there a working electricity supply to the cleaner? Please check with another electrical appliance.
- Is the dust container over-filled? Please refer to 'Cleaner Maintenance'.
- Is the filter blocked? Please refer to 'Cleaner Maintenance'.
- Is the hose or nozzle blocked? Please refer to removing a blockage from the system'.
- Has the cleaner overheated? If so, it will take approximately 30 minutes to automatically reset.

IMPORTANT INFORMATION

Hoover spares and Consumables

Always replace parts with genuine Hoover spares. These are available from your local Hoover dealer or direct from Hoover. When ordering parts always quote your model number.

Hoover Service

Should you require service at any time, please contact your local Hoover Service Office.

Quality

Hoover's factories have been independently assessed for quality. Our products are made using a quality system which meets the requirements of ISO 9001.

Your Guarantee

The guarantee conditions for this appliance are as defined by our representative in the country in which it is sold. Details regarding these conditions can be obtained from the dealer from whom the appliance was purchased. The bill of sale or receipt must be produced when making any claim under the terms of this guarantee.

Subject to change without notice.