

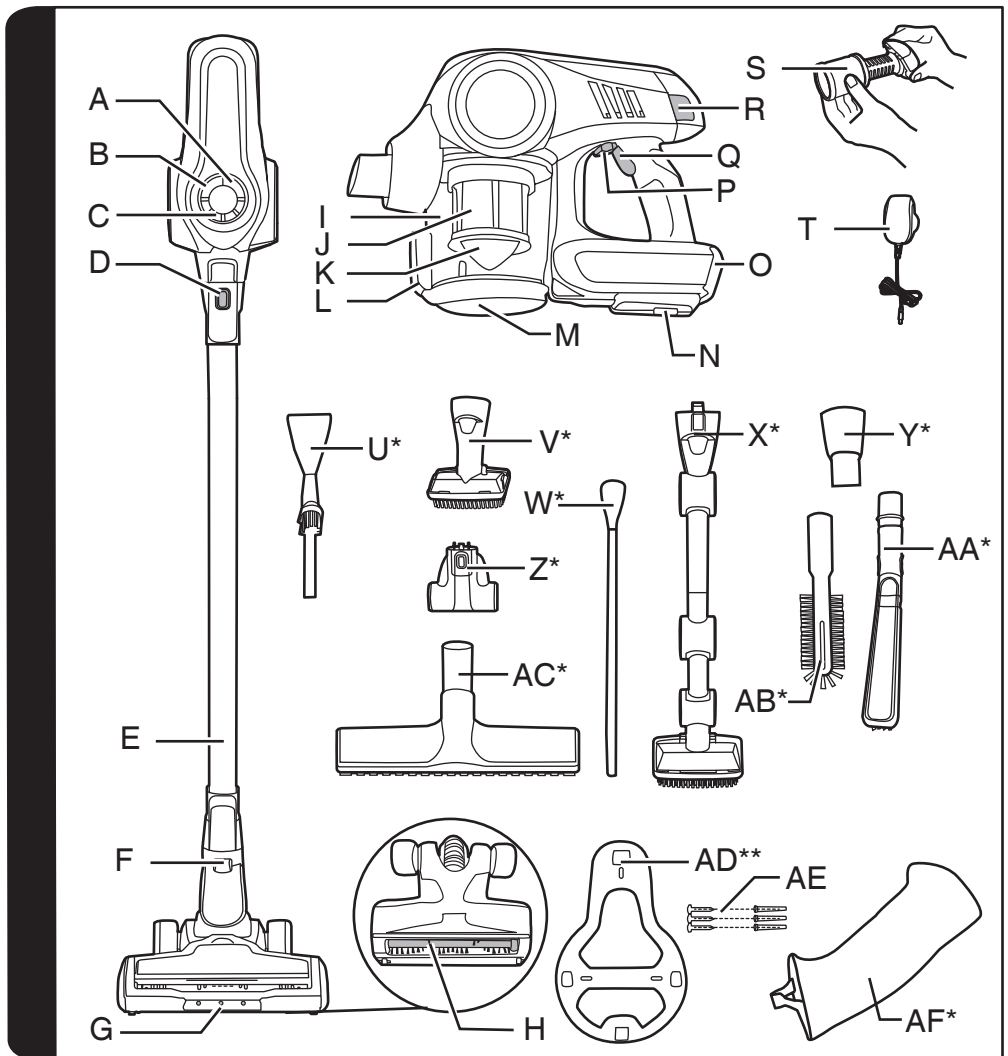
HOOVER



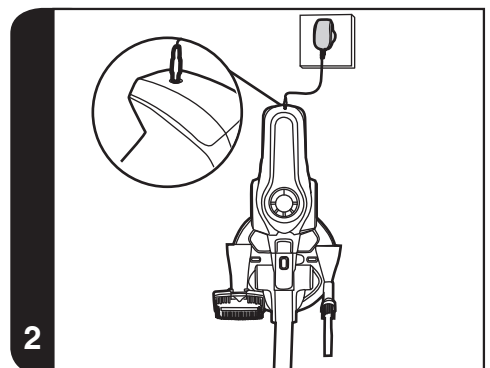
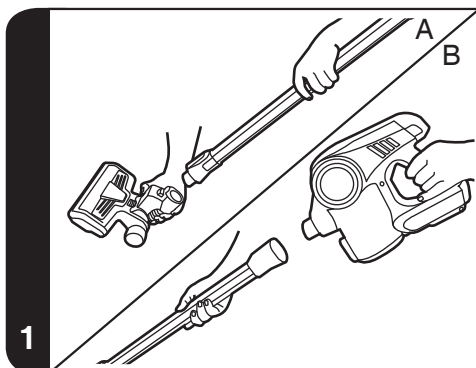
INSTRUCTION MANUAL

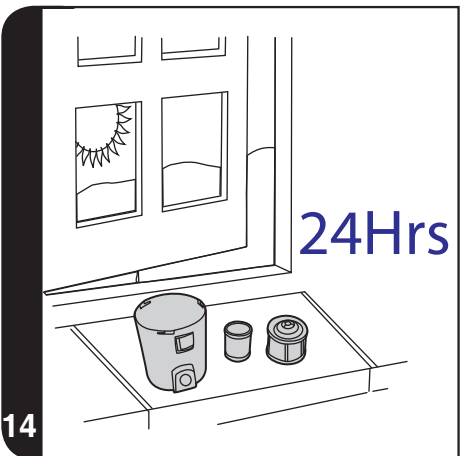
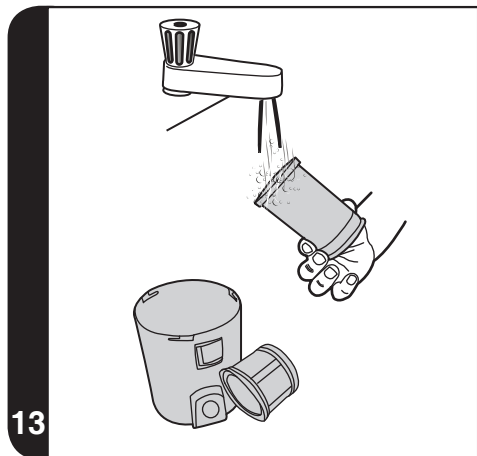
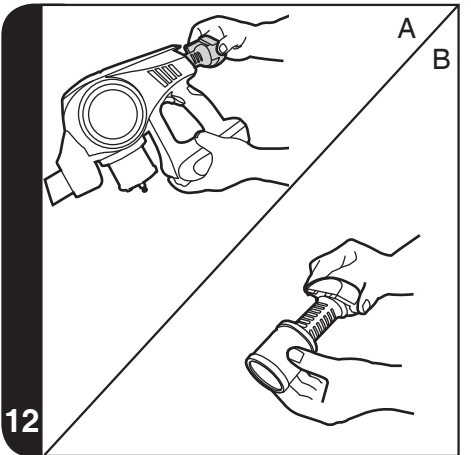
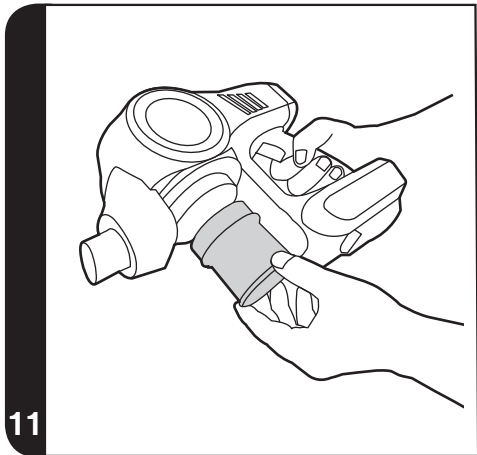
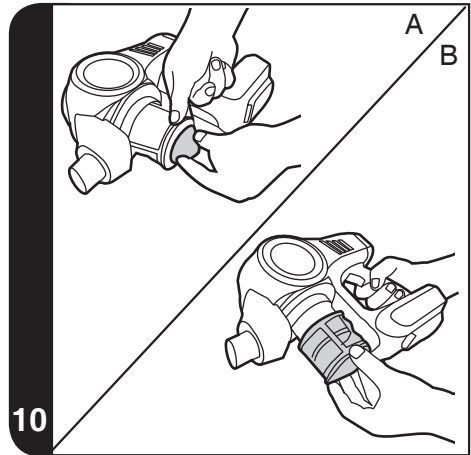
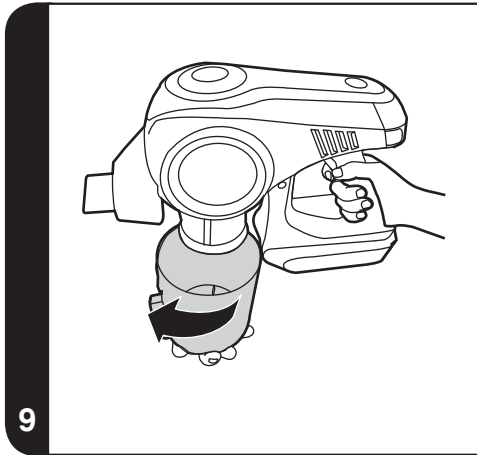


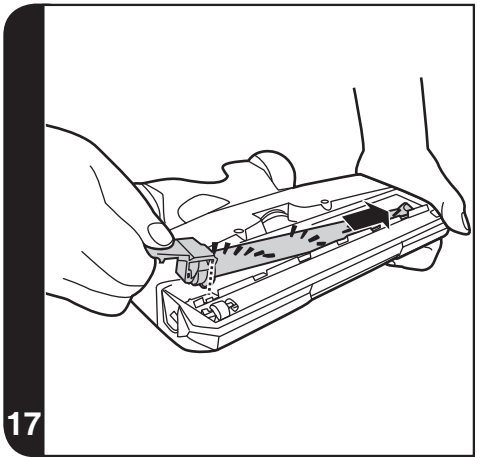
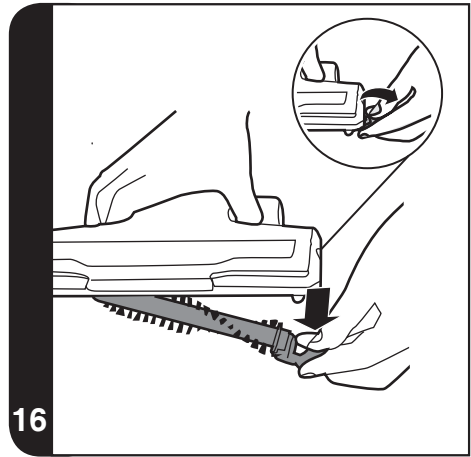
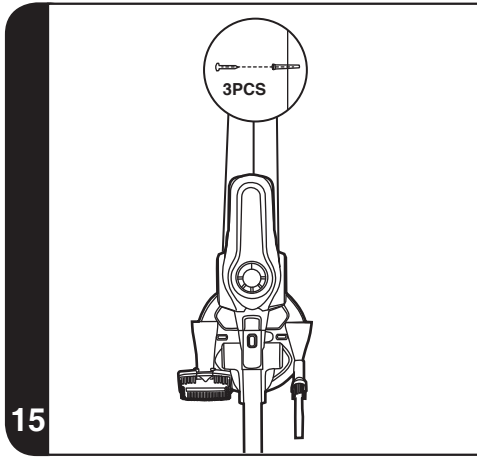
BORN INNOVATIVE



* Certain models only, accessories may vary according to model







INSTRUCTIONS FOR SAFE USE

This appliance should only be used for domestic cleaning, as described in this user guide. Please ensure that this guide is fully understood before operating the appliance.

Always switch off and remove the charger from the socket before cleaning the appliance or any maintenance task.

This appliance can be used by children aged from 8 years and above and persons with reduced physical, sensory or mental capabilities or lack of experience and knowledge if they have been given supervision or instruction concerning use of the appliance in a safe way and understand the hazards involved. Children shall not play with the appliance. Cleaning and user maintenance shall not be made by children without supervision.

If the power cord is damaged stop using the appliance immediately. To avoid a safety hazard, an authorised Hoover service engineer must replace the power cord.

Keep hands, feet, loose clothing and hair away from rotating brushes.

Use only the original charger supplied with the appliance.

Check that your supply voltage is the same as that stated on the charger.

This appliance is supplied with a double insulated battery charger which is only suitable for insertion in a 230V (UK 240V) socket outlet.

Plug the charger in to suitable socket outlet and connect the charger jack plug to the appliance.

When charging the appliance, the power switch lever must be in the off position.

Before first use, charge your appliance for at least 24 hours. The LED indicator light will blink in blue when charging and remain light when fully charged.

Re-connect the appliance to the charger after use to recharge the battery.

Never charge the batteries in temperatures above 37°C or below 0°C.

It is normal for the charger to become warm to the touch when charging.

Do not unplug the charger by pulling on the power cord.

Unplug the charger in the event of prolonged absence (holidays, etc.). Recharge appliance again before use as batteries may self discharge over increased periods of storage.

If the appliance is to be disposed of the batteries must first be removed. The appliance must be disconnected from the supply mains when removing the battery. Dispose of the batteries safely. Run the appliance until it stops because the batteries are fully discharged. Used batteries should be taken to a recycling station and not disposed of with household waste. To remove the batteries, please contact the Hoover Customer Centre or proceed according to the following instructions.

IMPORTANT: Always fully discharge the batteries before removal and ensure the charger is unplugged.

Run the cleaner until the batteries are completely empty.

Remove the charger jack plug from the appliance.

Pull down the battery pack release button and the battery pack will be pushed out a short distance automatically. **[8A]**

Drag the battery pack slowly from the slot. **[8B]**

Note: Should you experience any difficulty in dismantling the unit or for more detailed information on treatment, recovery and recycling of this appliance, please contact your local city office or your household waste disposal service.

Use only attachments, consumables or spares recommended or supplied by Hoover.

Static electricity: Some carpets can cause a small build up of static electricity. Any static discharge is not hazardous to health.

Do not use your appliance out of doors or on any wet surface or for wet pick up.

Do not pick up hard or sharp objects, matches, hot ashes, cigarette ends or other similar items. Do not spray with or pick up flammable liquids, cleaning fluids, aerosols or their vapours.

Do not run over the power cord when using your appliance or remove the plug by pulling on the power cord. Do not continue to use your appliance or charger if it appears faulty.

Hoover service: To ensure the continued safe and efficient

operation of this appliance we recommend that any servicing or repairs are only carried out by an authorised Hoover service engineer.

Do not use the appliance to clean animals or people.

Do not replace the batteries with non-rechargeable batteries.

The Environment:

This appliance is marked according to the European directive 2011/65/EC on Waste Electrical and Electronic Equipment (WEEE). By ensuring this product is disposed of correctly, you will help prevent potential negative consequences for the environment and human health, which could otherwise be caused by inappropriate waste handling of this product. The symbol on the product indicates that this product may not be treated as household waste. Instead it shall be handed over to the applicable collection point for the recycling of electrical and electronic equipment. Disposal must be carried out in accordance with local environmental regulations for waste disposal. For more detailed information about treatment, recovery and recycling of this product, please contact your local city office, your household waste disposal service or the shop where you purchased the product.



This product complies with the European Directives 2014/35/EU, 2014/30/EU and 2011/65/EU.

CANDY HOOVER GROUP S.r.l. Via Privata Eden Fumagalli, 20861 Brugherio (MB) Italy

PRODUCT COMPONENTS

- | | |
|--|---|
| A. Turbo On/Off Button | Q. ON/OFF Switch |
| B. Carpet Button | R. Exhaust Filter Release Buttons |
| C. LED Indicators | S. Exhaust Filter |
| D. Handheld Release Button | T. Charger |
| E. Tube | U. 2 in 1 Crevice and Dusting Brush * |
| F. Nozzle Release Button | V. 2 in 1 Large Dusting and Furniture Brush * |
| G. Nozzle Front Light | W. Long Flexible Crevice Tool * |
| H. Nozzle Agitator | X. Multi Function Up To Top Tool * |
| I. Dust Cup | Y. Adaptor * |
| J. HSpin-Core Technology Mesh Filter Cover | Z. Mini Turbo Nozzle * |
| K. HSpin-Core Technology Motor Cover | AA. Deep Cleaning Brush * |
| L. Dust Cup Empty Button | AB. Radiator Tool * |
| M. Dust Cup Bottom Cover | AC. Parquet Caresse Nozzle * |
| N. Battery Pack Release Button | AD. Wall Mount * |
| O. Battery Pack | AE. Screws Plugs * |
| P. Switch Lever | AF. Accessory Bag * |

PREPARING YOUR CLEANER

1. Fix the Wall mount to your wall using the screws and screw plugs provided. [15]
2. Insert the nozzle head into one side of tube until you heard a "click" sound. [1A]
3. Insert another side of tube into handheld unit until you heard a "click" sound. [1B]
4. To fully charge the appliance, connect the charger jack plug to the battery pack. It will take around 5Hrs. [2]

NOTE: To remove the nozzle, press the nozzle release button and pull away from the main body.

NOTE: Use only the charger supplied with your cleaner to recharge.

IMPORTANT: When charging the cleaner, the switch lever must be in the OFF position. You can charge the battery pack also when released from the product.

It is normal for the charger to become warm to touch when charging.

* Certain Models Only

USING YOUR CLEANER

There are four working modes:

- **TEMPORARY MODE:** The product will start working when you press on the ON/OFF Switch and stop when released. [3A]
- **CONTINUOUS MODE:** To enable continuous mode you can pull switch lever back and it will click into place. [3B] To disable continuous mode you can push the switch lever forward.
- **CARPET MODE:** Press the Carpet button to use the product on carpets, with LED lights ON. [4A]
- **TURBO MODE:** Press Turbo button to full power on either floor or carpet mode. [4B]

NOTE: Temporary mode and continuous mode are recommended to clean hard floor; Carpet mode activates agitator and is recommended for lifting dirt and debris from carpet pile.

IMPORTANT: After each use of your product, please ensure to push the switch lever forward to the unlocked position. Failure to do so may result in a reduction in battery life or failure.

DISPLAY LED:

This cleaner is equipped with a LED display. When the product is ON and the display illuminated the indicators show the following information.

BATTERY LEVEL INDICATOR:

- 4 points = 100% charge
- 3 points = 75% charge
- 2 points = 50% charge
- 1 point = 25% charge

CHARGING

During the charging process if the battery charged level is below 25% you will see the first LED blink until it reaches above 25%, then it will stay illuminated. This process will continue on all points of the LED indicating level of battery charge 25%, 50%, 75%, etc. When the battery charge has reached 100% all 4 points will be illuminated.

Please note to ensure your battery is being charged at a safe working temperature we have fitted a safety device. If this device activates and you commence the charging process then you will see the first LED flash until it has reset. After it has automatically reset the normal charging process as described above will commence.

DISCHARGING

When the product is running and the batteries are discharging the LED indicator light will start to flash when the battery capacity is lower than 5% indicating the need to recharge.

ACCESSORIES:

2 IN 1 CREVICE & DUSTING BRUSH*, **2-1 LARGE DUSTING & FURNITURE BRUSH***, **LONG FLEXIBLE CREVICE TOOL***, **MULTI FUNCTION UP TO TOP TOOL* AND MINI TURBO NOZZLE***.

The above accessories can be fitted directly into the handheld unit or one side of the tube. [5]

RADIATOR TOOL* / DEEP CLEANING BRUSH* / PARQUET CARESSE NOZZLE*

The accessory adaptor* must be fitted when using any of the above accessories. [5]

NOTE: The mini-turbo nozzle is ideal for deep cleaning textile surfaces (i.e. sofas) and pet hair removal. Move it steadily backwards and forwards. After using, please remove hair / threads collected on the brush with scissors if necessary.

NOTE: The long flexible crevice tool is ideal for cleaning in hard to reach areas, underneath furniture and in your car.

NOTE: The radiator tool is ideal for cleaning inside and around cabinets, radiators, couches, blinds and more.

NOTE: The deep cleaning brush is useful to clean in tight spaces without scratching surfaces, and inside your car.

NOTE: The multi-function tool is designed to easily clean delicate surfaces without scratching and all areas that are hard to access or reach. The multi function tool is made up of three key parts:

1. Crevice tool this is ideal for accessing tight spaces.
2. Dusting brush is ideal for cleaning surfaces without damaging or scratching.
3. Furniture nozzle is ideal for cleaning surfaces like sofa.

ACCESSORY BAG*

Accessories can be stored in the accessory bag.

* Certain Models Only

WALL MOUNT*

Hang the wall mount to the wall, using the three screws included in the product [15] to hang product, 2in1 crevice & dusting brush, 2in1 large dusting & crevice and mini turbo nozzle (when included).

CLEANER MAINTENANCE**Emptying the Dust Container**

1. Press the handheld release button and remove the tube. [6]
2. Press the dust cup empty button to release the bin flap and empty the contents. [7]
3. Close the dust cup flap up, you will hear a click when fully locked.

NOTE: It is recommended to empty the dust cup after each use or when dust is up to the max fill lines.

Cleaning the Dust Container and Filter

1. Press the handheld release button and remove the tube. [6]
2. Press the dust cup empty button to open the bin flap and empty it. [7]
3. Push down the battery pack release button and remove the battery pack. [8A,8B]
4. Turn the dust bin in an anti-clockwise direction, align the arrow marks and remove it from the product. [9]
5. Turn the HSpin-Core Technology motor cover to the clockwise direction and then take the HSpin-Core Technology mesh filter cover down from the HSpin-Core Technology mesh filter. [10A,10B]
6. Push down the HSpin-Core Technology mesh filter when you clean the filter or find the HSpin-Core Technology motor is blocked. It is not suggested to clean with water. [11]
7. Press the two exhaust filter release buttons and then remove the exhaust filter. [12A, 12B]
8. Wash the exhaust filter in lukewarm water and leave to dry for 24 hours. Reassemble once completely dry and refit to the product. [13,14]
9. Wash the dust cup/HSpin-Core Technology mesh filter cover in lukewarm water. Ensure it is fully dry before returning to the main body. [13,14]
10. Reassemble the handheld unit and then attach it on the Wall Mount. [15]

NOTE: Do not use hot water or detergents when cleaning the exhaust filters. In the unlikely event of the exhaust filters becoming damaged, fit a genuine Hoover replacement. Do not try use the product without a filter fitted.

IMPORTANT: For optimum performance, always keep your mesh filter clean. We recommend that the filter should be washed at least once a month.

Changing and Cleaning the Agitator

IMPORTANT: Always switch off the cleaner before changing and cleaning the agitator.

1. Detach the agitator release button flap. It is positioned on the lateral part of the nozzle. [16]
2. Hold the agitator release flap and pull down to remove the agitator. [16]
3. Replace with new agitator or clean it. This can only fit in one direction.
4. Re-fit in position the agitator release flap. [17]

Replacing the Batteries

This cleaner is fitted with a rechargeable Lithium ion battery pack and it is replaceable.

WARNING: Only use approved replacement parts for your cleaner. Using parts not validated by Hoover are dangerous and will invalidate your guarantee.

WARNING: Do not try to open the battery pack and repair it by yourself.

1. Pull down the battery pack release button and the battery pack will be pushed out short distance automatic. [8A]
2. Drag the battery pack slowly from the slot. [8B]
3. Removed the old battery pack and replace with the new battery pack.
4. Dispose of the batteries safely. Used batteries should be taken to a recycling station and not disposed off with household waste.

TROUBLE SHOOTING

Should you have any problem with your cleaner, follow this simple check list before calling the Hoover Customer Service Centre:

A. Cleaner does not switch on

- Check if the cleaner is charged
- Check if the battery pack is assembled in place.

Cleaner stop working

- Check if the HSpin-Core Technology motor is blocked.

B. Loss of suction or no suction

- Empty the dust cup and wash the mesh filter and separator.
- Remove nozzle and check for any blockages in the duct.

C. Batteries cannot be charged

- This may be a result of very long storage periods (over half year).
- Contact Hoover customer service to arrange battery replacement.
- If the problem persists contact the Hoover customer service centre.

HOOVER SPARES AND CONSUMABLES

Always replace parts with genuine Hoover spares. These are available from your local Hoover dealer or direct from Hoover. When order parts always quote your model number.

YOUR GUARANTEE

The guarantee conditions for this appliance are as defined by our representative in the country in which it is sold. Details regarding these conditions can be obtained from the dealer from whom the appliance was purchased. The bill of sale or receipt must be produced when making any claim under the terms of this guarantee.

IMPORTANT: The battery in this cleaner is guaranteed for 1 year from the date of purchase. After 1 year the customer is liable for the cost of a new battery.

Subject to change without notice.



®

BORN INNOVATIVE

PRINTED IN P.R.C
48022558