

Rosie Chair And Sofa's

Assembly Instructions - Please keep for future reference

711/5596

717/3954

703/0671

703/3733

700/7446

719/8616

702/7354

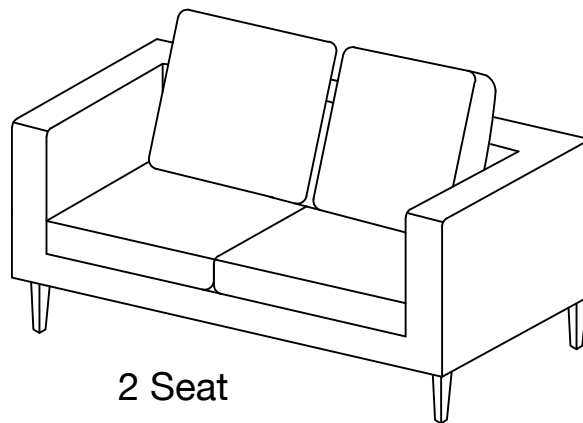
702/5095

706/9707

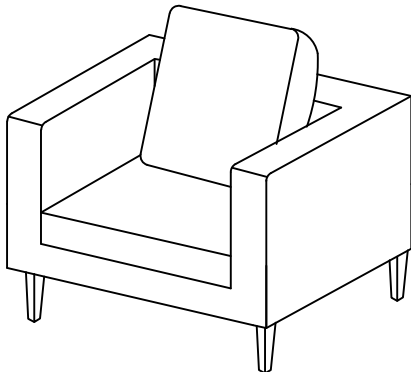
723/6066

724/2531

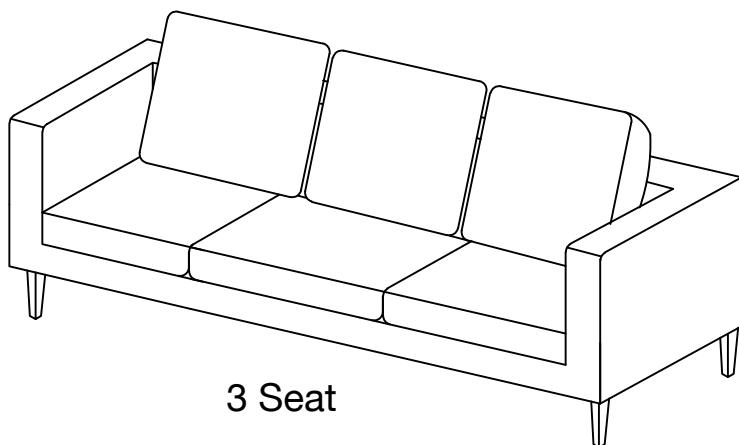
698/0966



2 Seat



1 Seat



3 Seat

Dimensions (one-seater)

Width - 81cm
Depth -78cm
Height -84cm

Dimensions (two-seater)

Width - 142cm
Depth -78cm
Height -84cm

Dimensions (three seater)

Width - 202cm
Depth -78cm
Height -84cm

Important - Please read these instructions fully before starting assembly

If you need help or have damaged or missing parts, call the **Customer Helpline: 0345 601 2895**



Safety and Care Advice

Important - Please read these instructions fully before starting assembly

Check you have all the components and tools listed on pages 2.

Remove all fittings from the plastic bags and separate them into their groups.

Keep children and animals away from the work area, small parts could choke if swallowed.

Make sure you have enough space to layout the parts before starting.

Assemble the item as close to its final position (in the same room) as possible.

Assemble on a soft level surface to avoid damaging the unit or your floor.

Assembly requires 2 people.



We do not recommend the use of power drill/drivers **for inserting screws**, as this could damage the unit. Only use hand screwdrivers and Allen keys.

Dispose of all packaging carefully and responsibly.

Cleaning Guidance

Minor stains and spillages should be removed immediately from cushion fabric, by wiping over lightly with a damp cloth and mild soapy water.

Light marking can also be removed using this method.

To remove more stubborn stains or marking, a good quality proprietary domestic fabric cleaner can be used, although it should first be tested on an inconspicuous area of the fabric.

Care and maintenance

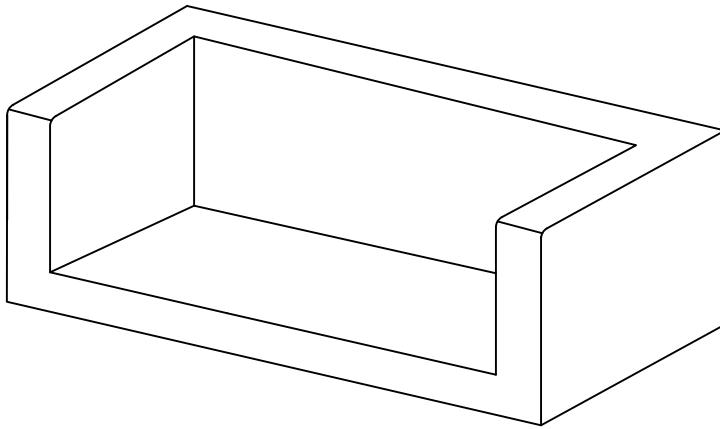
From time to time check that there are no loose screws on this unit.

This product should not be discarded with household waste. Take to your local authority waste disposal centre.

Components - Parts

If you have damaged or missing components.
call the **Customer Helpline: 0345 601 2895**

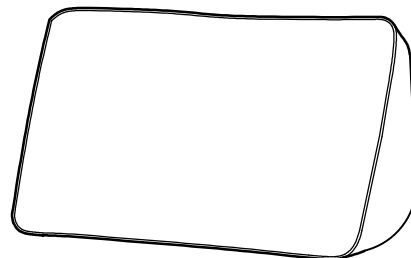
Please check you have all the parts listed below



- 1** Chair / Sofa Body
(Chair: 810 x 800 x 530mm)
(Two seat sofa: 1420 x 800 x 530mm)
(Three seat sofa: 2010 x 800 x 530mm)



- 2** Leg x 4
(65 x 45 x 120mm)



- 3** Back Cushion
(Chair: 600 x 420 x 140mm) x 1
(Two seat sofa: 600 x 420 x 140mm) x 2
(Three seat sofa: 600 x 420 x 140mm) x 3



- 4** Seat Cushion
(Chair: 600 x 660 x 160mm) x 1
(Two seat sofa: 600 x 660 x 160mm) x 2
(Three seat sofa: 600 x 660 x 160mm) x 3



- 5** Plastic spacer x 4
(50mm x 1.5mm)

Assembly Instructions

Step 1

Attaching legs

First, ensure the floor is protected to ensure no damage or marking to the chair / sofa.

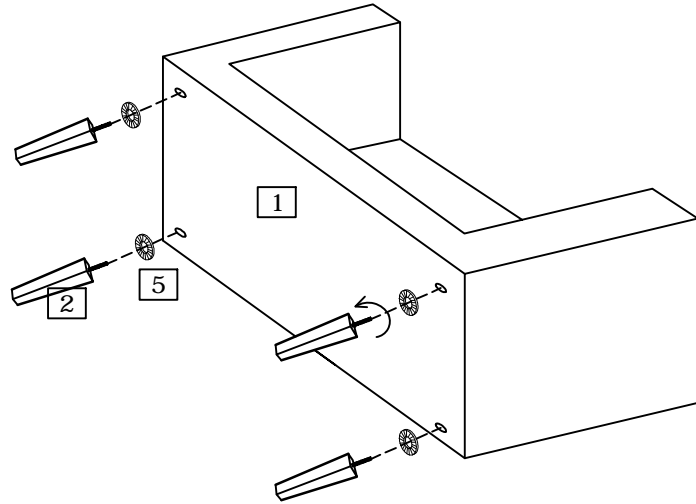
With help, carefully turn the chair or sofa body **1**, onto its back as shown.

Warning: The body is heavy. Lift with care.

Locate plastic spacers **5** onto the ends of legs **2**.

Screw legs **2** into body **1**.

Note: Ensure the legs are fully screwed in, but do not overtighten!



Step 2

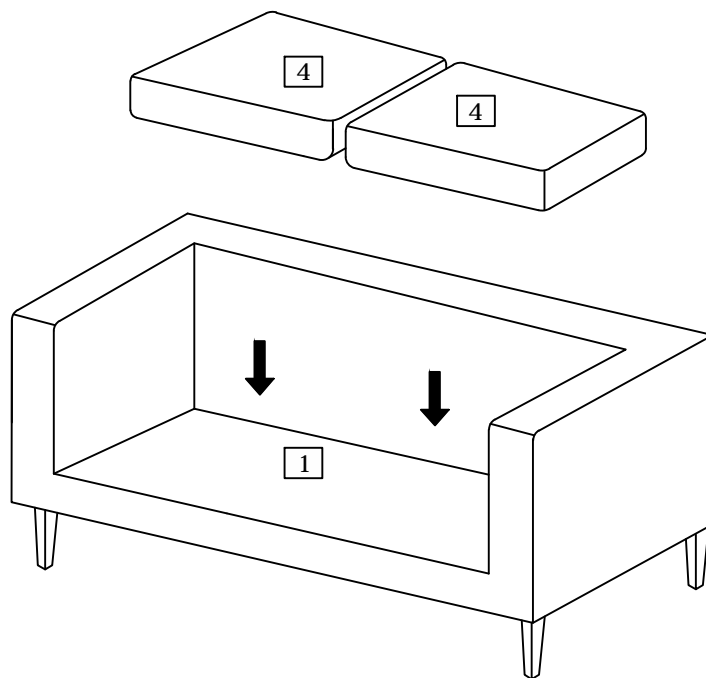
Locating seat cushions

With help, stand the body up onto its legs.

Warning: The body is heavy. Lift with care.

Place seat cushions **4** into position as shown.

Note: The number of cushions will depend on the item being assembled.



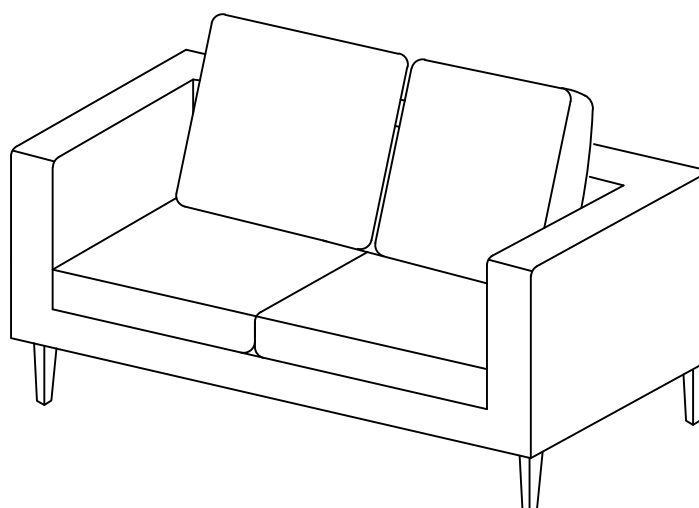
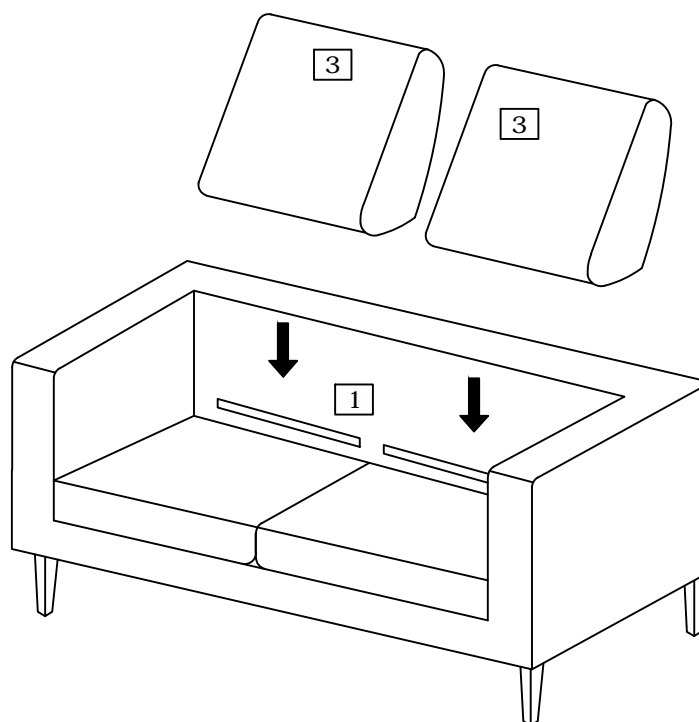
Assembly Instructions

Step 3

Placing back cushions

Place back cushions **3** into position as shown.

Note: Ensure the back cushions are carefully located to ensure the velcro strips on the rear of the cushions, hold them in place.



Assembly is complete.

If you need help or have damaged or missing parts, call the **Customer Helpline: 0345 601 2895**
Home Retail Group, 489-499 Avebury Boulevard, Saxon Gate West, Central Milton Keynes, MK9 2NW