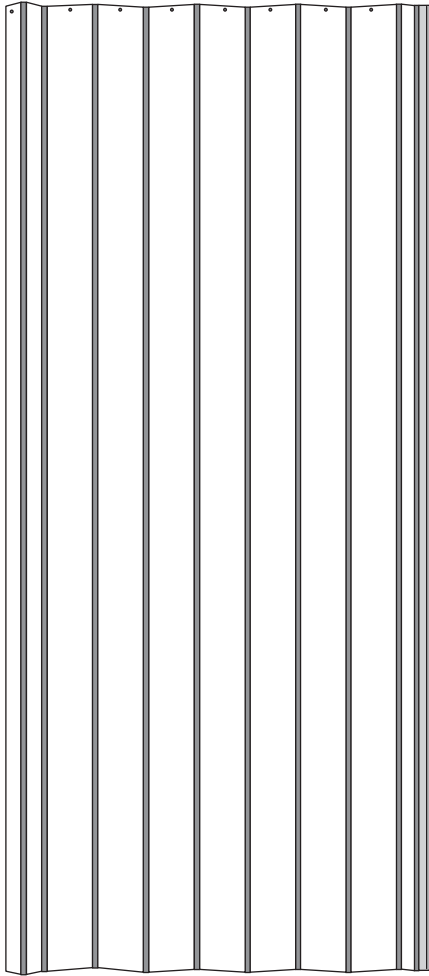


Components

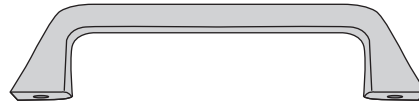
Ⓐ 1 x Folding Door



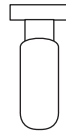
Ⓑ 1 x Top Track



Ⓒ 2 x Handle



Ⓓ 7 x Nylon Glide



Ⓔ 1 x Metal Plate



Fittings

Ⓐ 12 x Screw



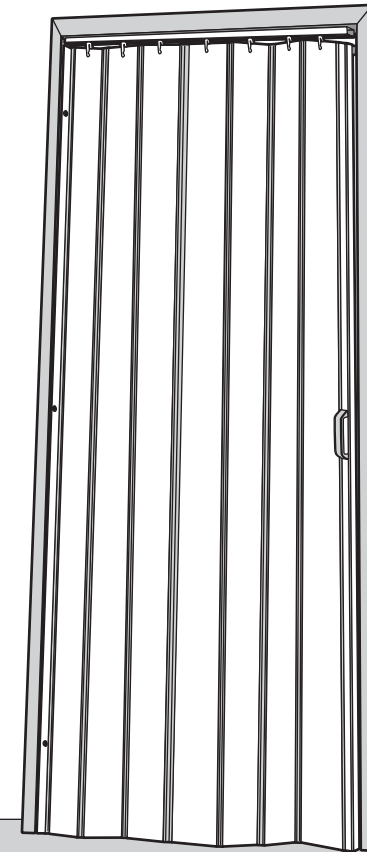
Ⓑ 2 x Screw



4-07

Folding Door

Simple Assembly Instructions - Please keep for future reference



IMPORTANT

1. Read these instructions carefully and familiarise yourself with the procedure before assembling the unit.
2. Check that you have all the component parts following the list on the back cover and familiarise yourself with each part before proceeding.
3. Take all the fittings out of the plastic bag and separate them into their groups.
4. Ensure you have enough space to lay out all the parts before assembly.
5. To avoid scratching it is recommended that you assemble the unit on a soft level surface.

Assembly Instructions

Stage 1 – Measure the Folding Door

NOTE: It would be useful to ask someone to help you at this stage.

1. Measure the Width and Length of your doorway.
See fig. 1.

2. Use a saw to cut the Top Track (B) to 4mm less than the width of the doorway (X - 4mm).
See fig. 2.

NOTE: Ensure you cut the track to the correct length. After you have marked it out, hold it up against the door frame, to double check the length before finally cutting it.

3. Use a strong pair of scissors to cut the Folding Door (A) to 5mm less than the length of the doorway (Y - 5mm).
See fig. 3.

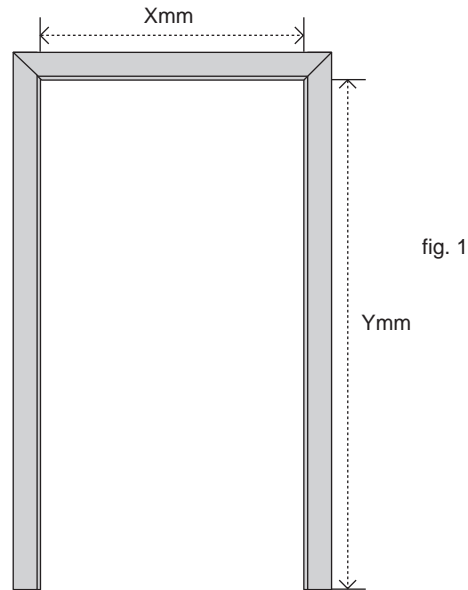


fig. 1

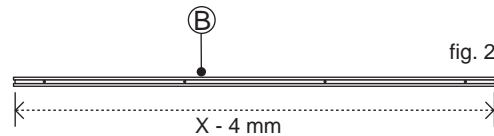


fig. 2

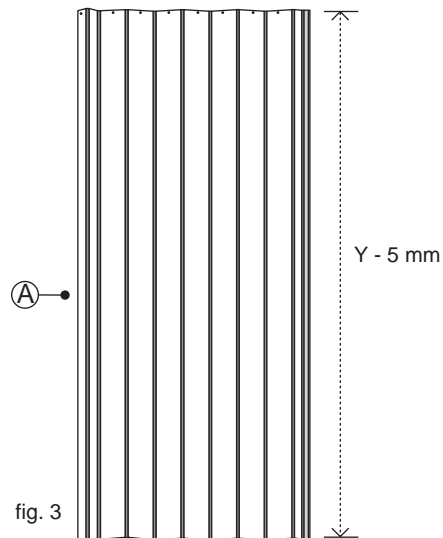


fig. 3

Assembly Instructions

Stage 2 – Fitting the Handle

NOTE: It would be useful to ask someone to help you at this stage.

1. Separate the Handle Cover from Handle (C).
See fig. 4.

2. Use Screws (B) to fix the Handles (C) onto the Folding Door (A).
See fig. 5.

3. Refit the Handle Cover onto the Handle (C).
See fig. 6.

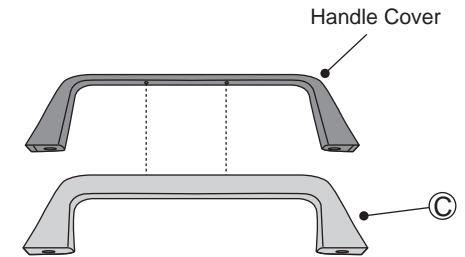


fig. 4

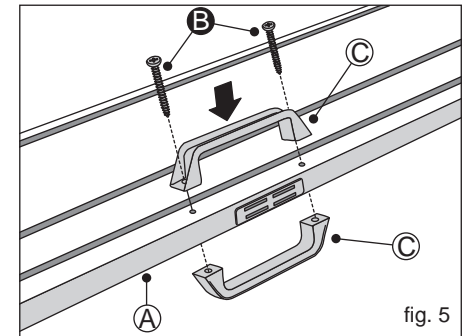


fig. 5

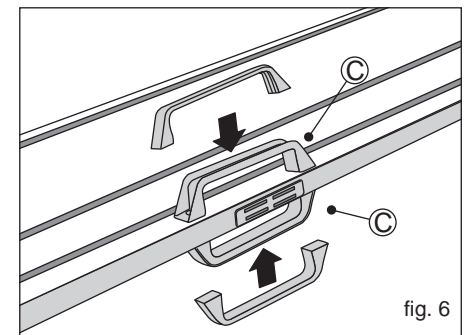


fig. 6

Assembly Instructions

Stage 3 – Fitting the Top Track

NOTE: It would be useful to ask someone to help you at this stage.

1. Carefully fit the Nylon Glides **(D)** on top of the Folding Door **(A)**.
See fig. 7.

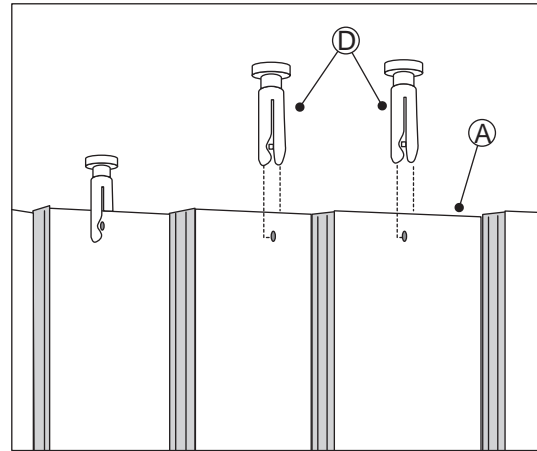


fig. 7

2. Position Top Track **(B)** in the centre of the doorway. Allow a 2 mm gap on either side between the Track and the Door Jambs.
See fig. 8.

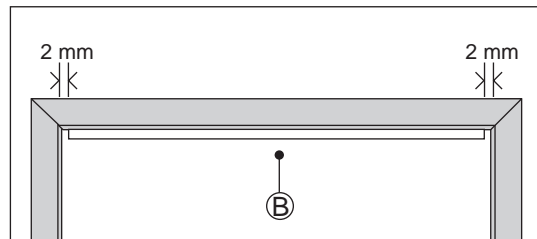


fig. 8

3. Use Screw **(A)** to fix one end of the Top Track **(B)**. Then pivot the Top Track outward.
See fig. 9.

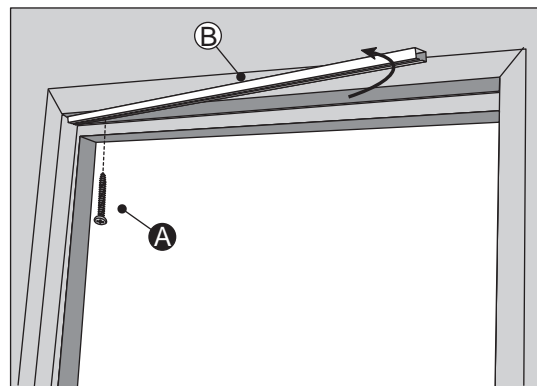


fig. 9

Assembly Instructions

Stage 3 – Fitting the Top Track

4. Carefully slide the Folding Door **(A)** into the Top Track **(B)**.
See fig. 10.

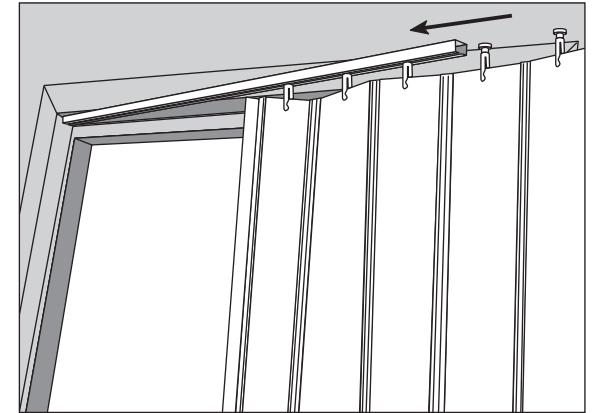


fig. 10

5. Swing the Top Track **(B)** back so it is parallel with the door frame.
Use Screws **(A)** to fix the Top Track.
See fig. 11.

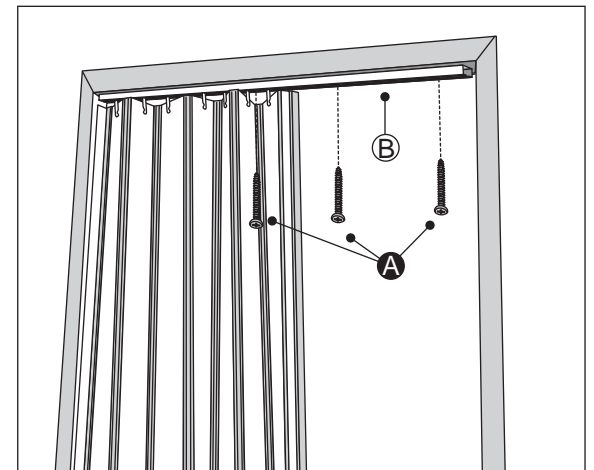


fig. 11

Assembly Instructions

Stage 4 – Fitting the Metal Plate

NOTE: It would be useful to ask someone to help you at this stage.

1. Use Screws **A** to fix the Folding Door **A**.
See fig. 12.

2. Close the Folding Door and check the position to fix the Metal Plate **E**.
See fig. 13.

3. Use Screws **A** to fix the Metal Plate **E** on the Door Frame.
See fig. 13.

NOTE: Before use always make sure the unit is secure.

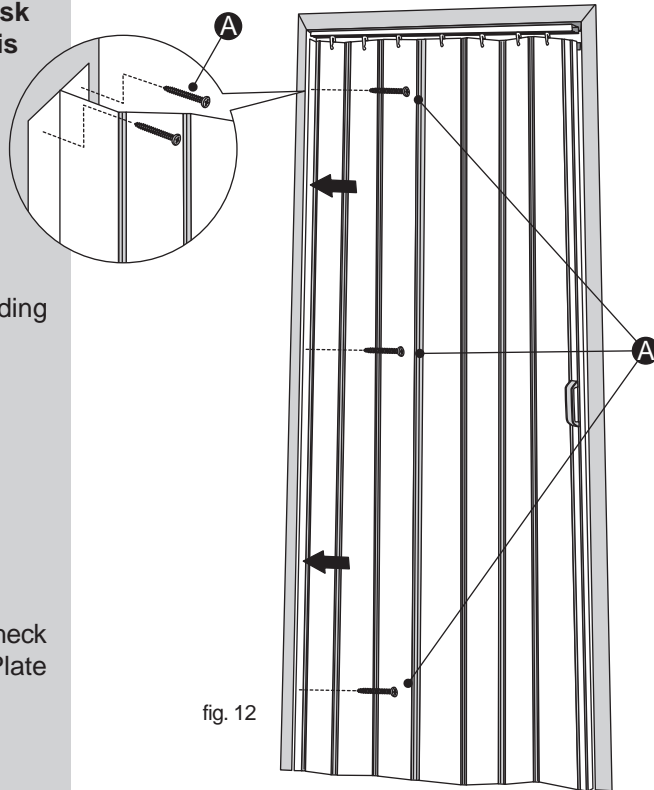


fig. 12

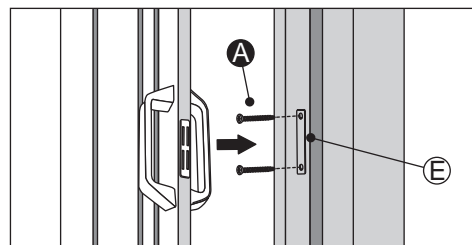


fig. 13

Assembly Instructions

Stage 5 – For Wider Openings

NOTE: It would be useful to ask someone to help you at this stage.

1. Two doors may be installed to make a double door. Position them so that they both open outwards. If the tracks are too long, cut equal amounts off each track so that the join meets in the centre of the opening. Attach handles to both doors. Attach one Metal Plate to either of the doors.
See fig. 14.

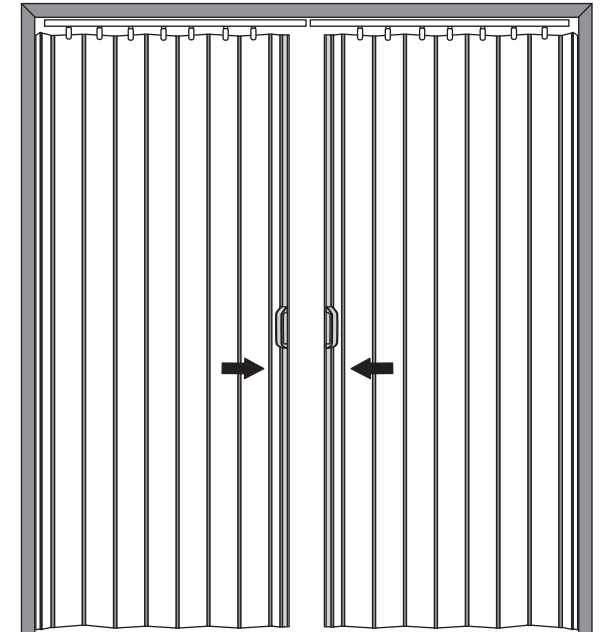


fig. 14

Care and Maintenance

Safety

To avoid any risk of suffocation to animals or children dispose of the plastic bags immediately.

Cleaning

As with all surfaces clean with a damp cloth and mild detergent, do not use bleach or abrasive products.

Fitting

From time to time please ensure there are no loose screws on the product.