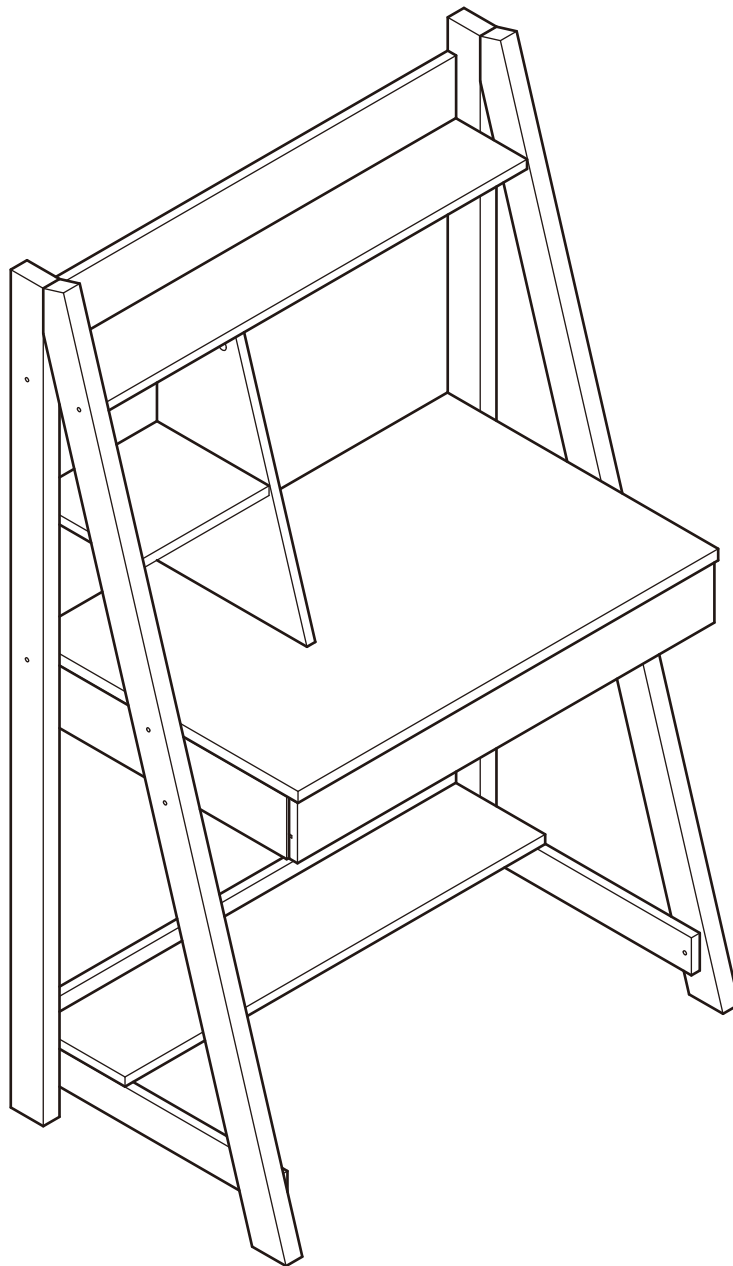


# Tall Unit Shelf and Drawer

Assembly Instructions - Please keep for future reference

699/9524

**H O**  
**M E**  
**BY ARGOS**



## Dimensions

Width - 84cm

Depth - 51cm

Height - 135cm

**Important - Please read these instructions fully before starting assembly**

If you need help or have damaged or missing parts, call the **Customer Helpline:**  
**Argos = 0345 6400800**



# Safety and Care Advice

## Important – Please read these instructions fully before starting assembly

- Check you have all the components and tools listed on the following pages.
- Remove all fittings from the plastic bags and separate them into their groups.
- Keep children and animals away from the work area, small parts could choke if swallowed.
- Make sure you have enough space to layout the parts before starting.

- During assembly do not stand or put weight on the product, this could cause damage.
- Assemble the item as close to its final position (in the same room) as possible.
- Assemble on a soft level surface to avoid damaging the unit or your floor.
- Parts of the assembly will be easier with 2 people.



- To reduce the likelihood of damaging your product please ensure that your power drill is set on a low torque setting.

## Care and maintenance

- Only clean using a damp cloth and mild detergent, do not use bleach or abrasive cleaners.
- From time to time check that there are no loose screws on this unit.
- This product should not be discarded with household waste. Take to your local authority waste disposal centre.

## Handy Hints

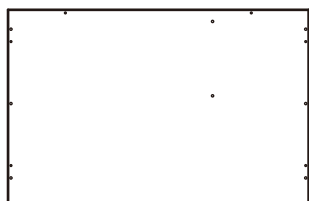
- Regularly check and ensure that all bolts and fittings are tightened properly.

**Note:** if required the next page can be cut out and used as reference throughout the assembly. Keep this page with these instructions for future reference.

# Components - Panels

If you have damaged or missing components, call the Customer Helpline: Argos = 0345 6400800

Please check you have all the panels listed below



**1** Table top (77.6 x 50cm)



**2** Table bottom support (74.6 x 23.8cm)



**3** Right front leg (141.1 x 6cm)



**4** Right back leg (134 x 6cm)



**5** Left front leg (141.1 x 6cm)

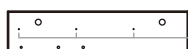


**6** Left back leg (134 x 6cm)



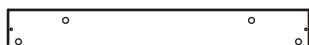
→ Pilot holes for guidance only

**7** Right side panel (46.4 x 10cm)



→ Pilot holes for guidance only

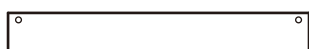
**8** Left side panel (46.4 x 10cm)



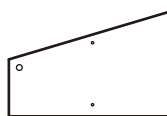
**9** Back panel (77.7 x 10cm)



**10** Top shelf (77.6 x 14.7cm)



**11** Upper back panel (77.7 x 10cm)



**12** Middle panel (43.1 x 27.7cm)



**13** Left shelf (24 x 20.7cm)



**14** Bottom panel (77.6 x 16.5cm)



**15** Right bottom support (45 x 6cm)



**16** Left bottom support (45 x 6cm)



**17** Bottom back panel (77.7 x 10cm)



**18** Drawer front panel (77 x 10cm)



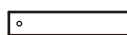
**19** Drawer right side panel (34 x 7cm)



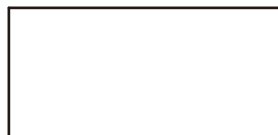
**20** Drawer left side panel (34 x 7cm)



**21** Drawer back panel (71.4 x 7cm)



**22** Drawer bottom support (32.7 x 6cm)



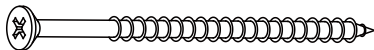
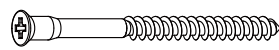

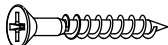




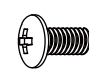



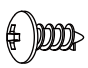
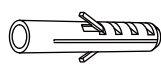
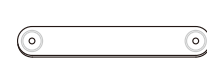


**23** Drawer bottom panel (72.3 x 33.6cm)



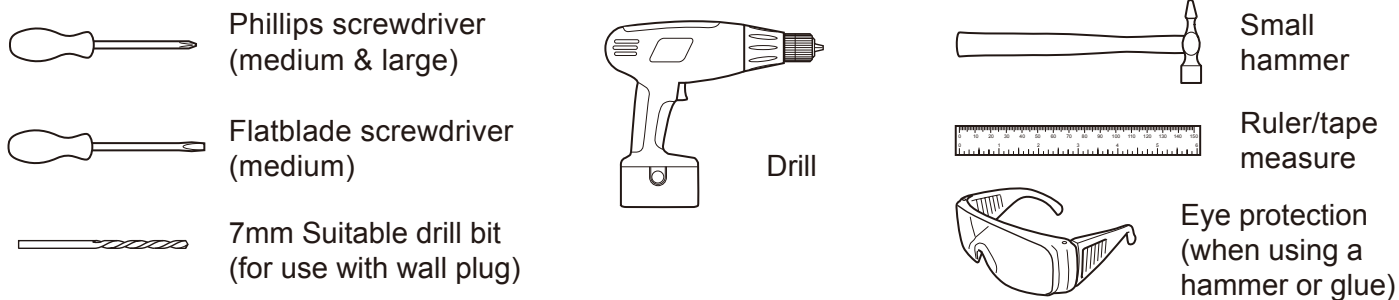
# Components - Fittings

Please check you have all the fittings listed below

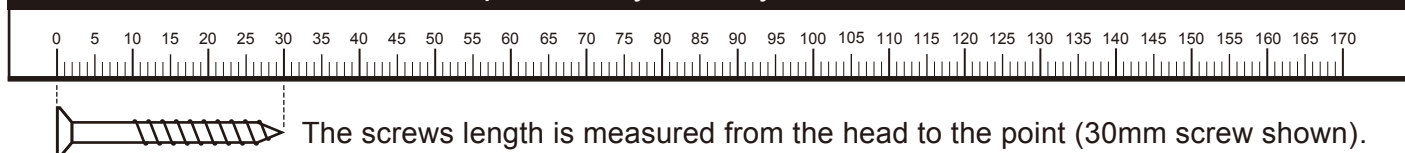
**Note:** The quantities below are the correct amount to complete the assembly. In some cases more fittings may be supplied than are required.

<b>A</b>  90mm Screw x 2	<b>B</b>  65mm Screw x 10	<b>C</b>  50mm Screw x 8
<b>D</b>  30mm Screw x 10	<b>E</b>  39mm Locking pin x 20	<b>F</b>  30mm Dowel x 23
<b>G</b>  12mm Locking nut x 17	<b>H</b>  10mm Locking nut x 3	<b>I</b>  12mm Screw x 2
<b>J</b>  Screw cover x 10	<b>K</b>  Runner x 2	<b>L</b>  (This Screw is included in the bag of runner) 12mm Screw x 16
<b>M</b>  14mm Screw x 2	<b>N</b>  Wall plug x 2	<b>O</b>  (This screw is included in the wall strap bag) Wall strap x 2  x 2
<b>P</b>  Door pad x 2		

## Tools required



## Ruler - Use this ruler to help correctly identify the screws



# Assembly Instructions

## Step 1

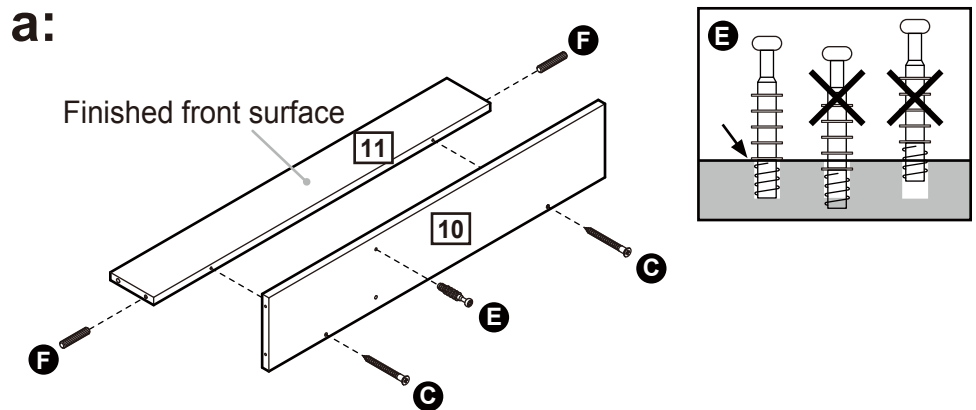
### Attaching upper shelves

**a:** Insert Dowels **F** into Upper back panel **11**.

Screw Locking pin **E** into the Top shelf **10**.

**Note:** Insert Locking pins as far as shown.  
**Do not over tighten.**

Use Screws **C** (2 pcs) to fix the Top shelf **10** on to the Upper back panel **11**.

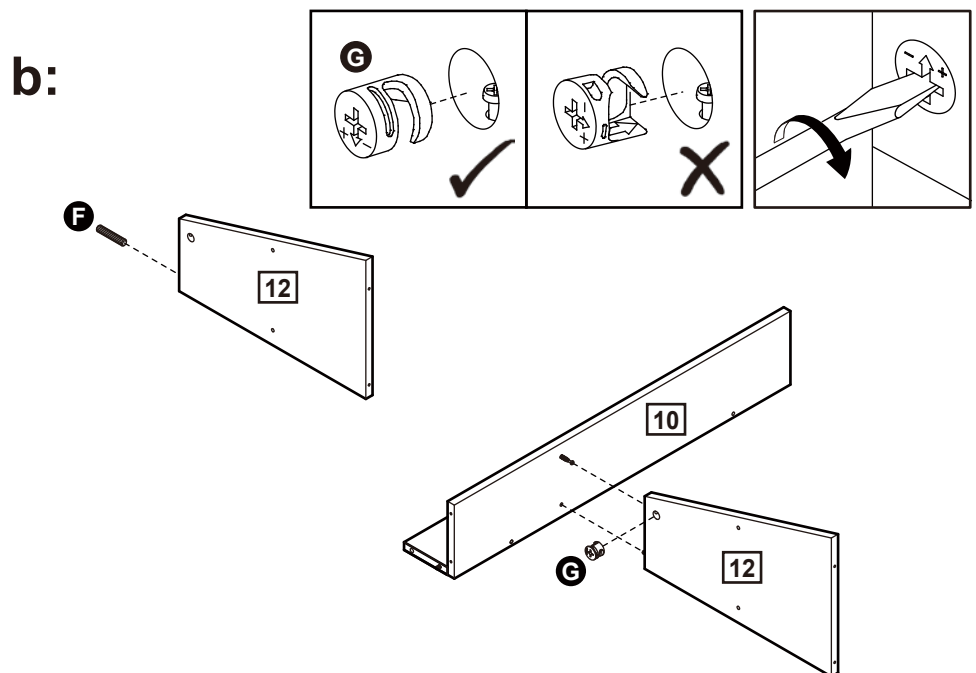


**b:** Insert Dowel **F** into Middle panel **12**.

Carefully locate the Top unit onto the Middle panel **12**.

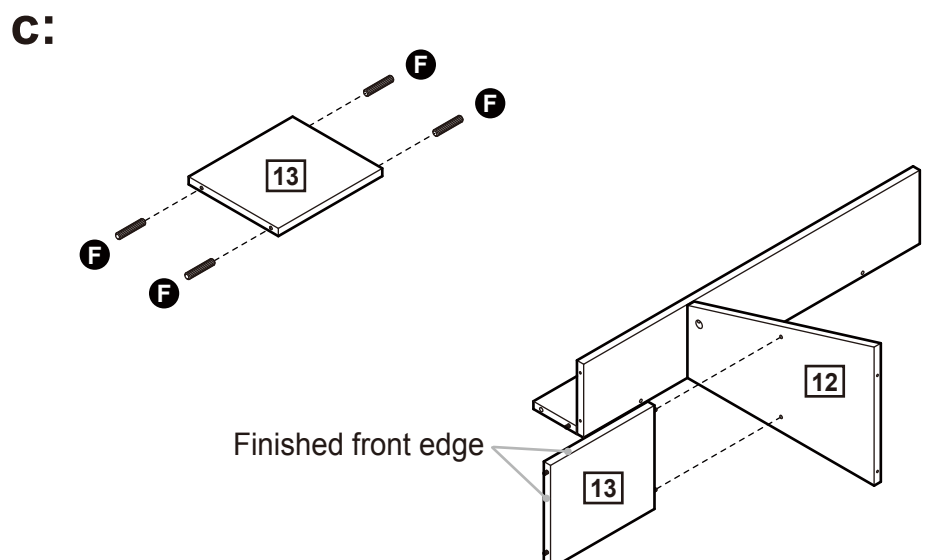
Insert Locking nut **G** into the Middle panel **12**.

Use a screwdriver to turn Locking nuts **G** clockwise.



**c:** Insert Dowel **F** into Left shelf **13**.

Fix the Left shelf **13** onto the unit.



# Assembly Instructions

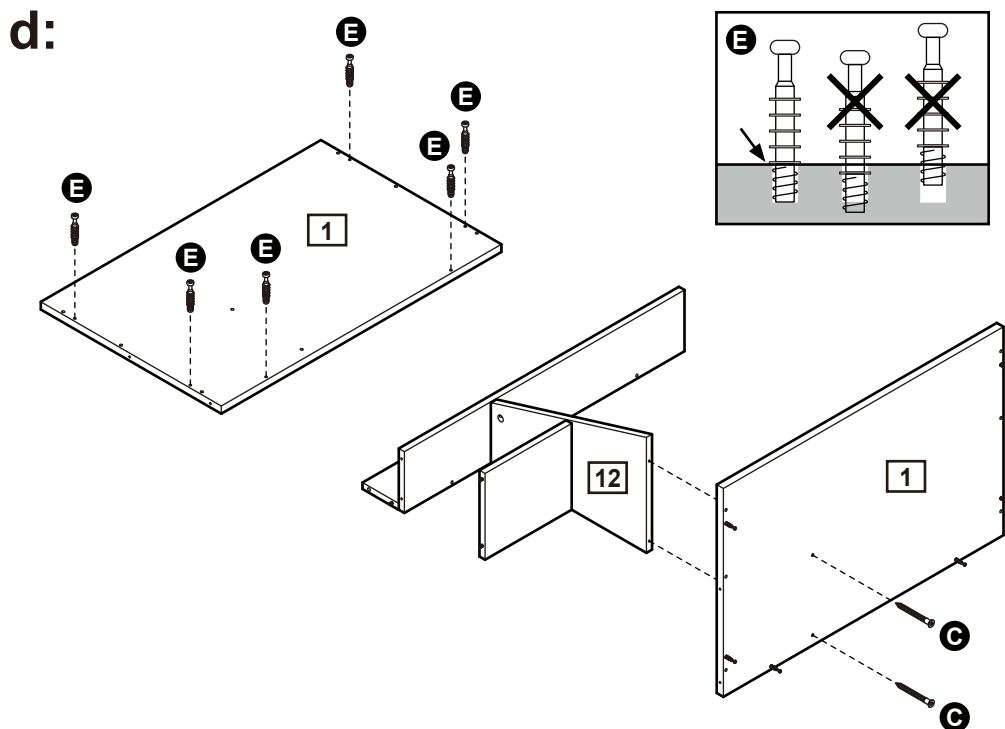
## Step 1 - continued

**d:** Screw 6 Locking pins **E** into the Table top **1**.

**Note:** Insert Locking pins as far as shown.

**Do not over tighten.**

Use Screws **C** to fix the Table top **1** on to the unit.



## Step 2

### Attaching runners

**a:** Position Runners **K** in front edge of the Right side panel **7**.

Slide top of the Runners **K** back.

Use screws **L** to fix the Runners **K** on Right side panel **7**.

Slide top of Runners **K** forward and fix as shown using Screws **L**.

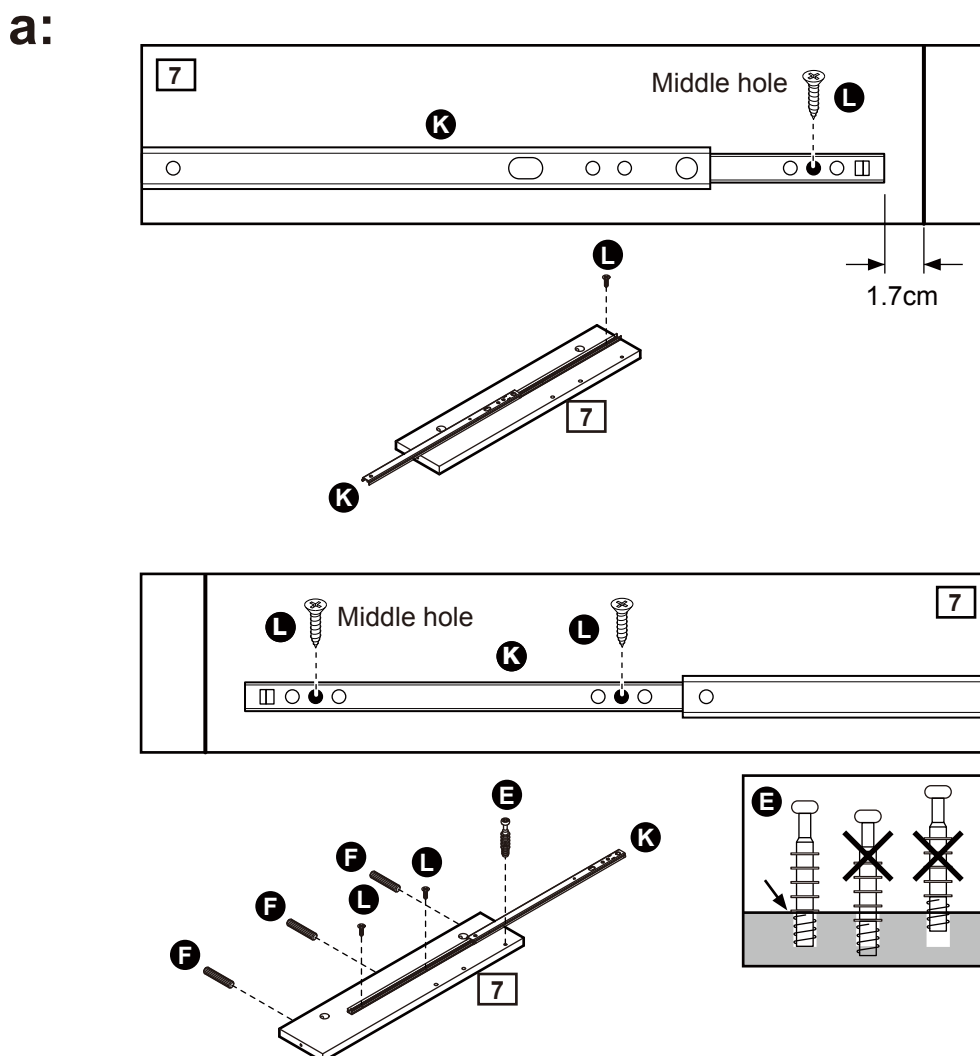
Insert Dowel **F** into the Right side panel **7**.

Screw Locking pin **E** into the Right side panel **7**.

**Note:** Insert Locking pins as far as shown.

**Do not over tighten.**

Continued on next page.



# Assembly Instructions

## Step 2 - continued

**b:** Position Runners **K** in front edge of the Left side panel **8**.

Slide top of the Runners **K** back.

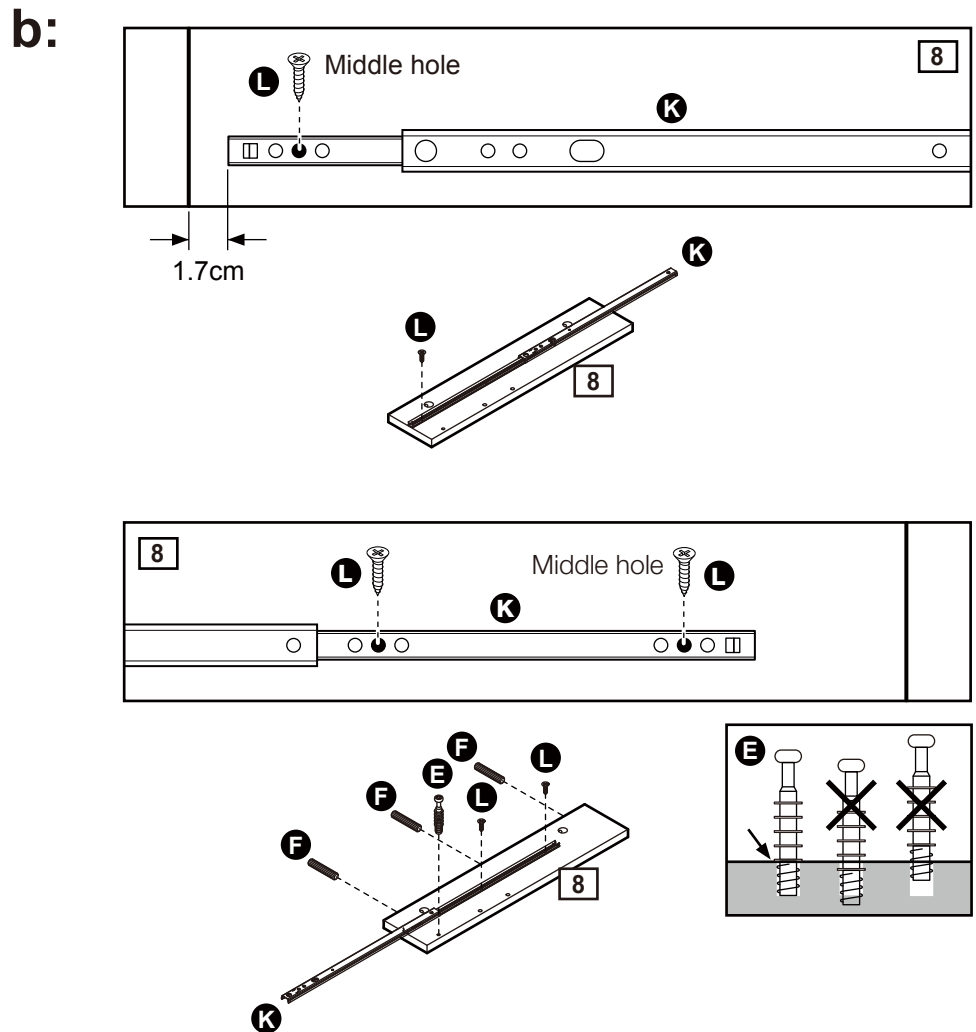
Use screws **L** to fix the Runners **K** on Left side panel **8**.

Slide top of Runners **K** forward and fix as shown using Screws **L**.

Insert Dowel **F** into the Left side panel **8**.

Screw Locking pin **E** into the Left side panel **8**.

**Note:** Insert Locking pins as far as shown.  
**Do not over tighten.**



## Step 3

### Attaching drawer

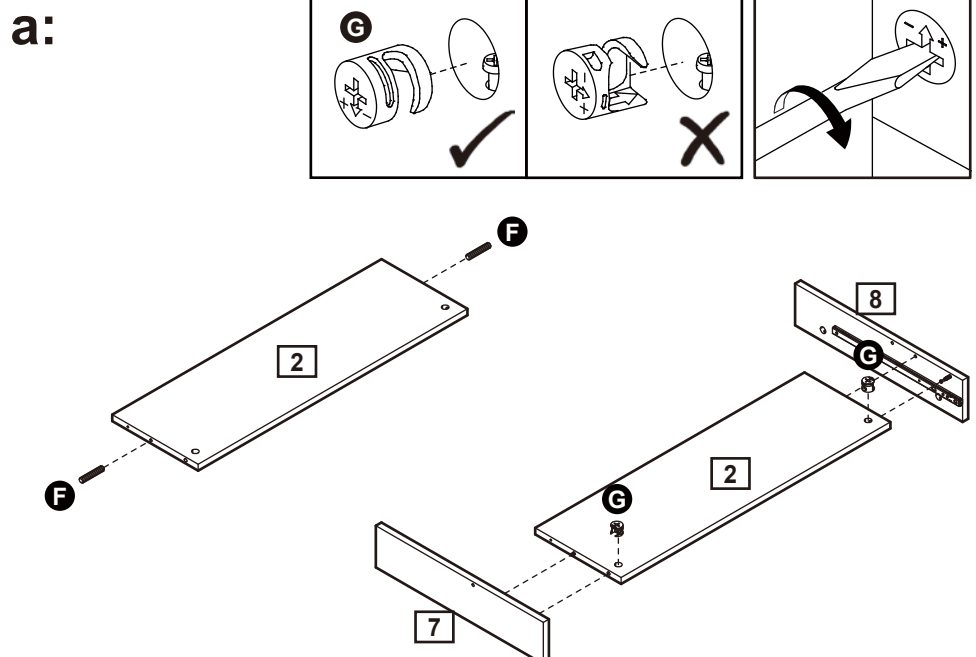
**a:** Insert Dowel **F** into the Table bottom support **2**.

Carefully locate the Table bottom support **2** onto Left side panel **8** and Right side panel **7**.

Insert Locking nut **G** into the Table bottom support **2**.

Use a screwdriver to turn Locking nuts **G** clockwise.

Continued on next page.



# Assembly Instructions

## Step 3 - continued

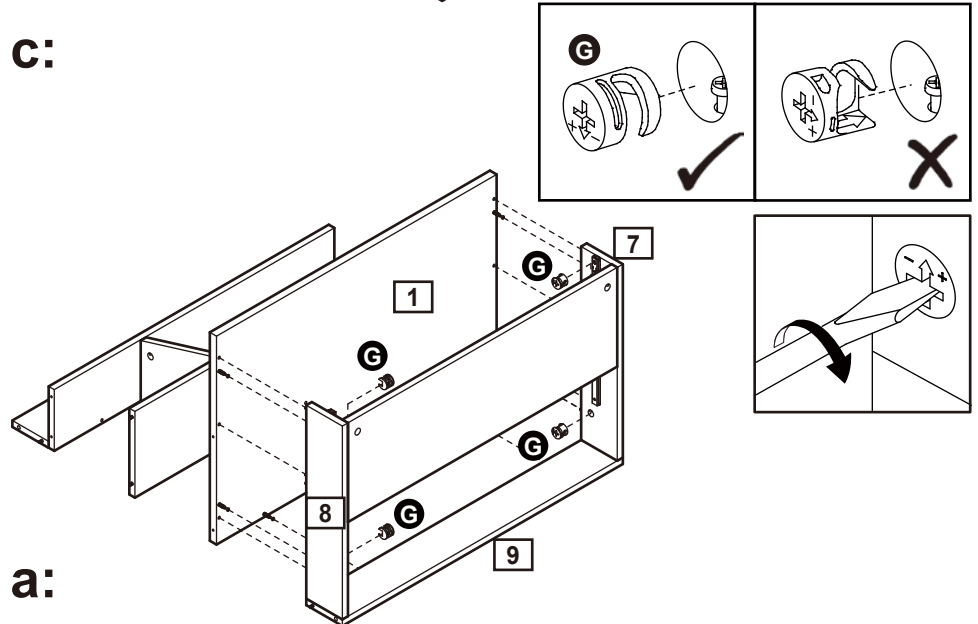
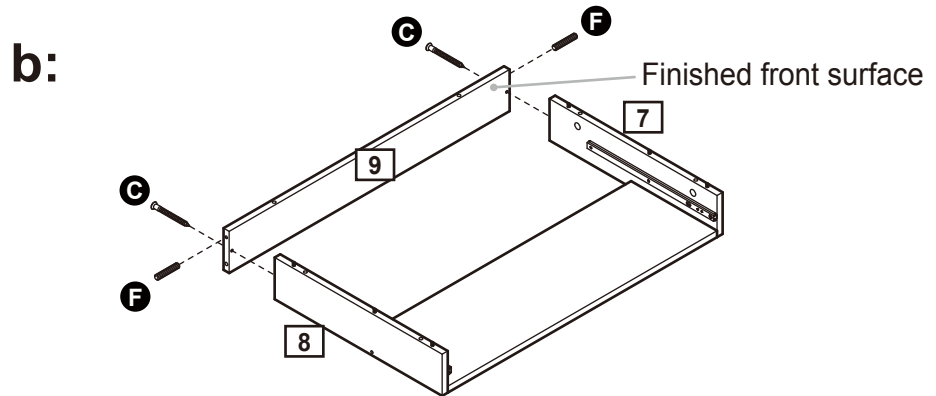
**b:** Use Screws **C** (2 pcs) to fix the Back panel **9** onto the Left side panel **8** and Right side panel **7**.

Insert Dowel **F** into the Back panel **9**.

**c:** Carefully locate the Keyboard unit onto the Table top **1**.

Insert 4 Locking nuts **G** into the Left side panel **8** and Right side panel **7**.

Use a screwdriver to turn Locking nuts **G** clockwise.



## Step 4

### Attaching bottom unit

**a:** Insert Dowel **F** into the Left bottom support **16** and Right bottom support **15**.

Screw 2 Locking pins **E** into the Bottom panel **14**.

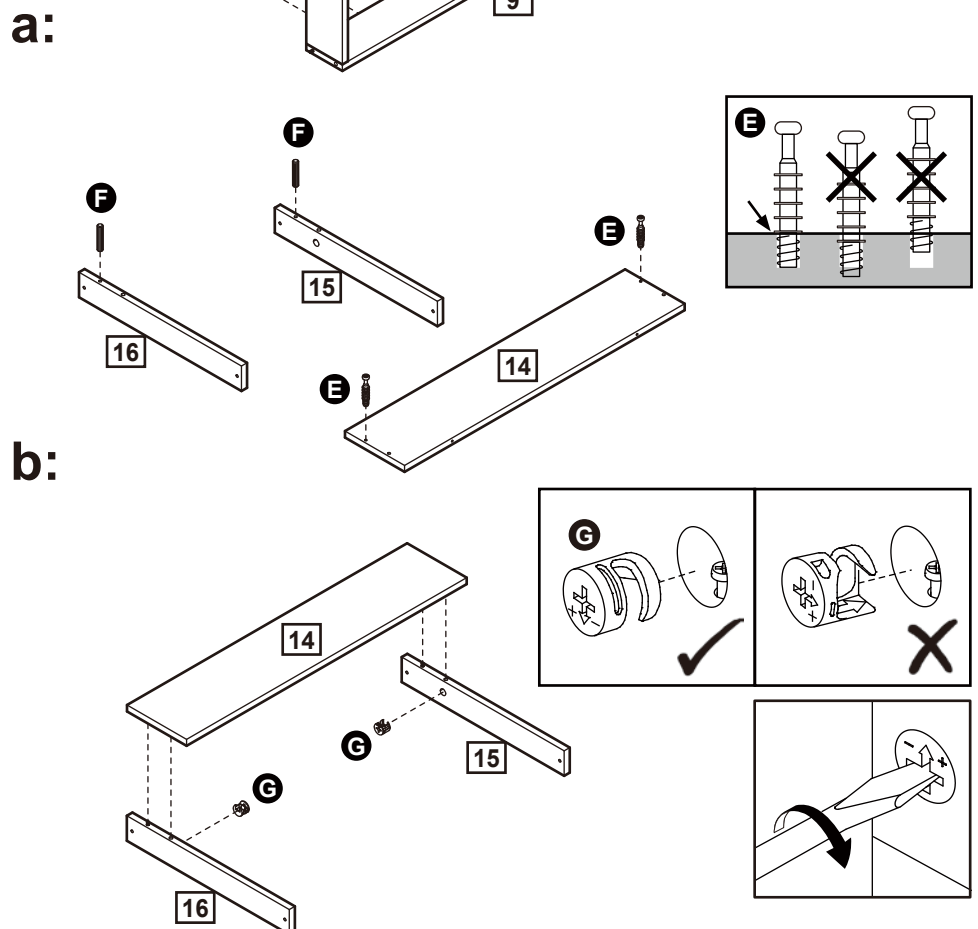
**Note:** Insert Locking pins as far as shown.

**Do not over tighten.**

**b:** Carefully locate the Bottom panel **14** onto the Left bottom support **16** and Right bottom support **15**.

Insert Locking nut **G** into the Left bottom support **16** and Right bottom support **15**.

Use a screwdriver to turn Locking nuts **G** clockwise.



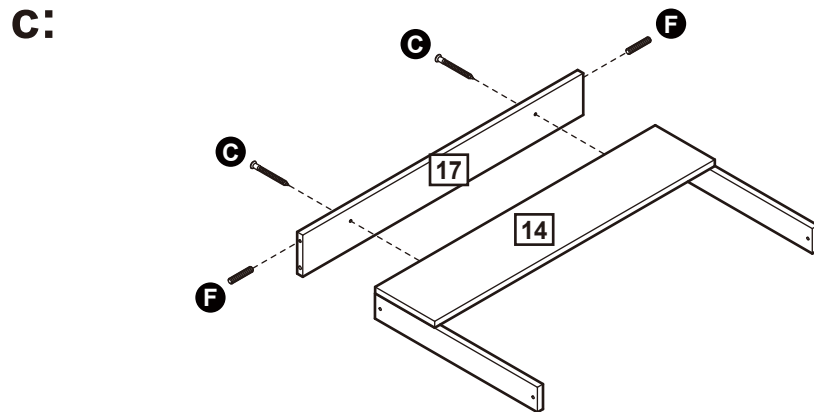


# Assembly Instructions

## Step 4 - continued

**C:** Use Screws **C** (2 pcs) to fix the Bottom panel **14** onto the Bottom back panel **17**.

Insert Dowels **F** into the Bottom back panel **17**.

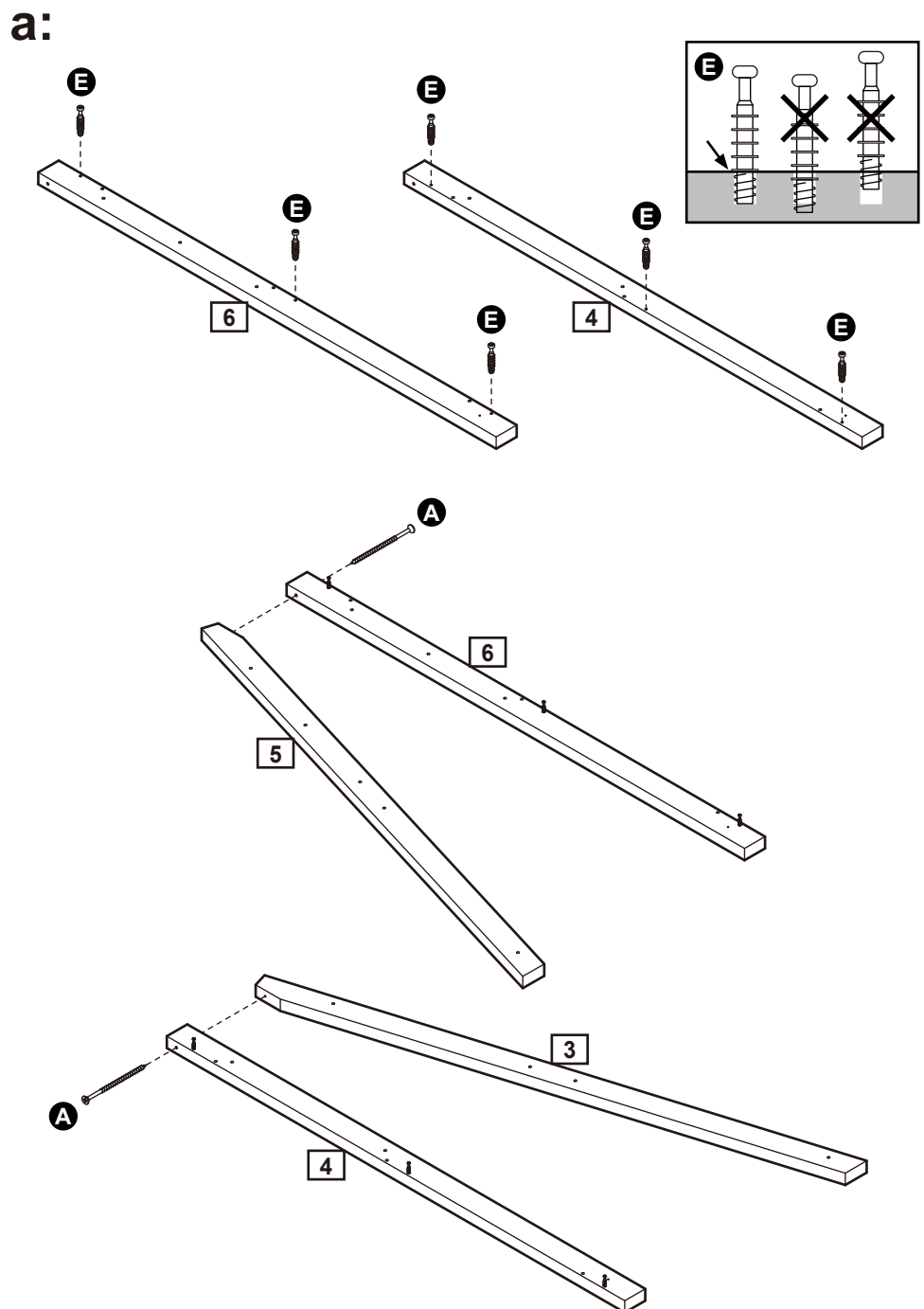


## Step 5

### Attaching legs

**a:** Screw 6 Locking pins **E** into Right/Left back legs **6** and **4**.

Use Screws **A** (2 pcs) to fix the Right/Left front legs **5** & **3** onto the Right/Left back legs **6** and **4**.



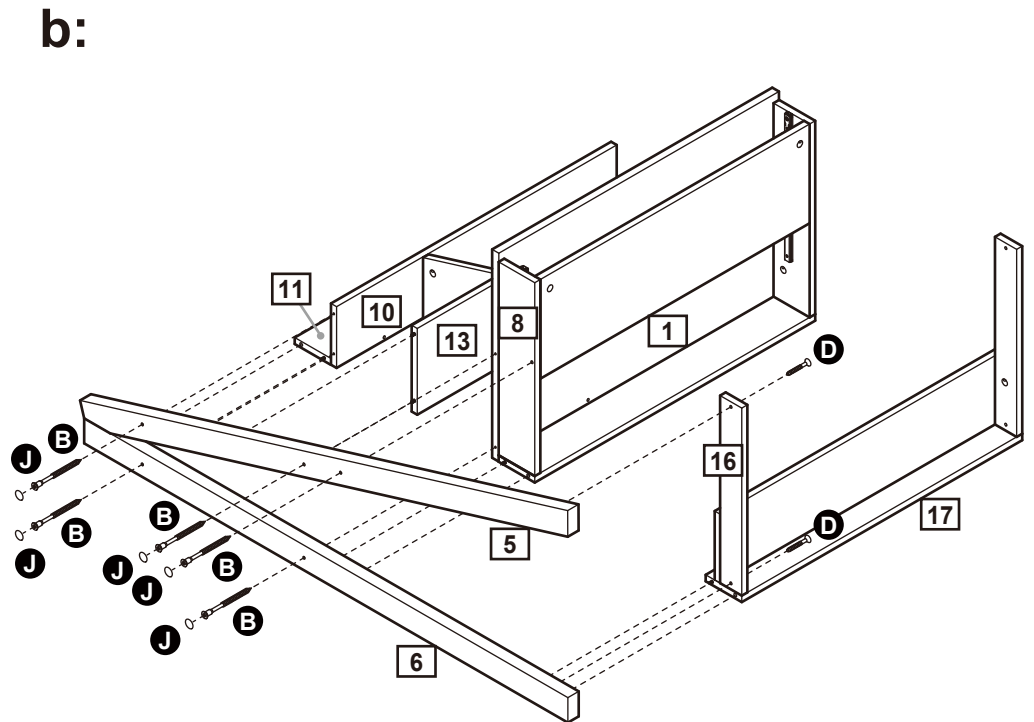
Continued on next page.

# Assembly Instructions

## Step 5 - continued

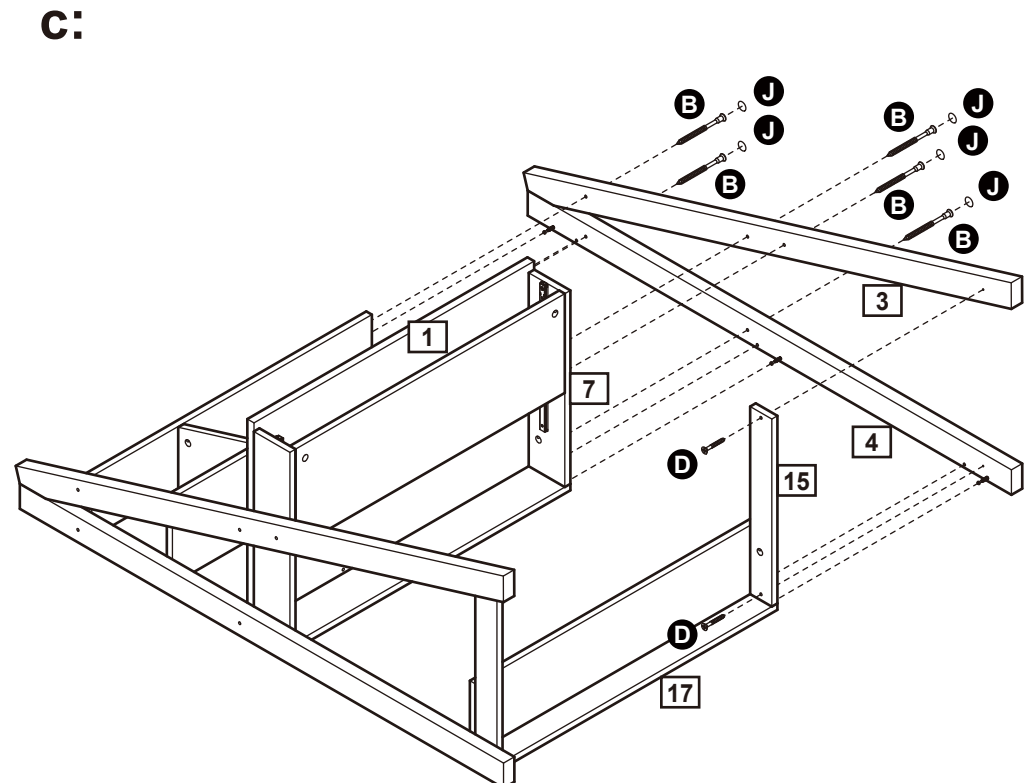
**b:** Use Screws **B** (5 pcs) and Screw **D** to fix the Left side legs **5** & **6** onto the table top and bottom units.

Use Screw covers **J** to cover the Screw heads **B**.



**c:** Use Screws **B** (5 pcs) and Screw **D** to fix the Right side legs **3** & **4** onto the unit.

Use Screw covers **J** to cover the Screw heads **B**.



Continued on next page.

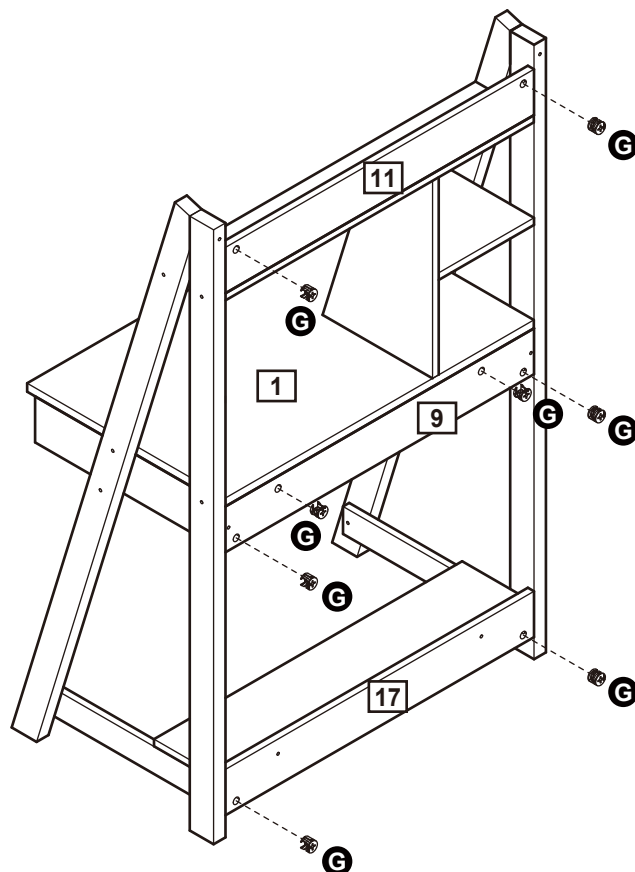
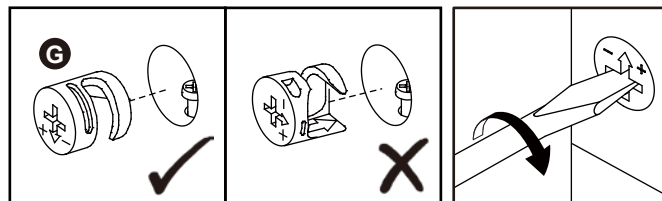
# Assembly Instructions

## Step 5 - continued

**d:** Insert 8 Locking nuts **G** into back panels **11**, **9** and **17**.

Use a screwdriver to turn Locking nuts **G** clockwise

**d:**



## Step 6

### Drawer assembly

**a:** Screw 3 Locking pins **E** into Drawer front panel **18**.

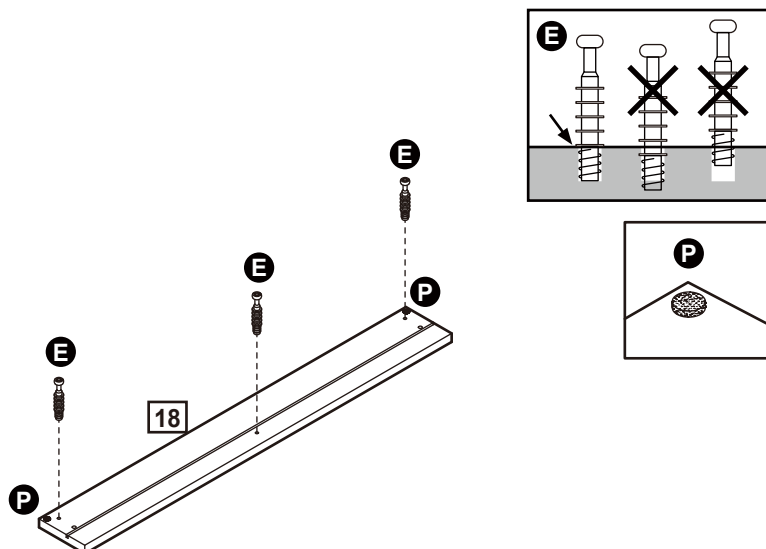
**Note:** Insert Locking pins as far as shown.  
**Do not over tighten.**

Tear off the protective backing from the Door Pads **P**.

Carefully stick the Door pads **P** onto the Drawer front panel **18**.

Continued on next page.

**a:**



# Assembly Instructions

## Step 6 - continued

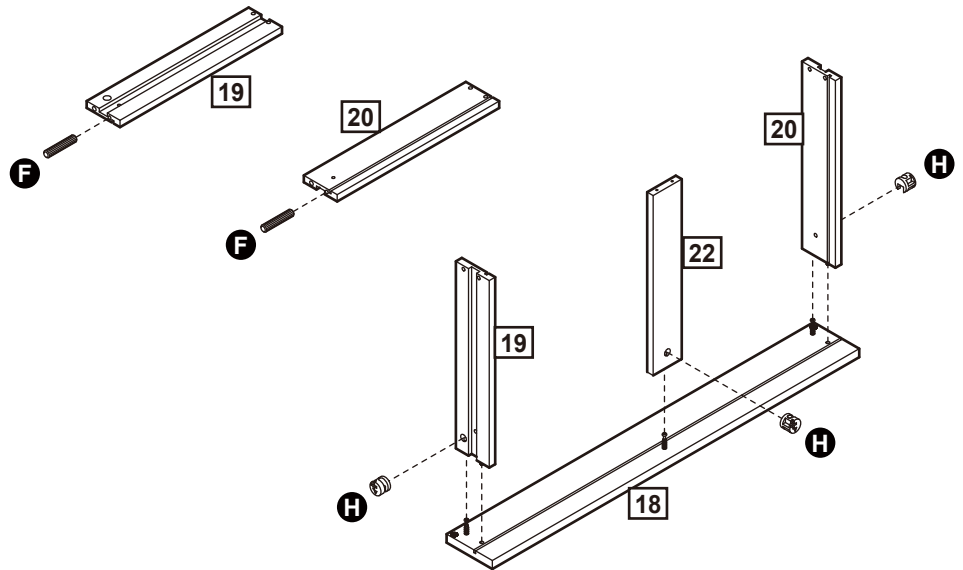
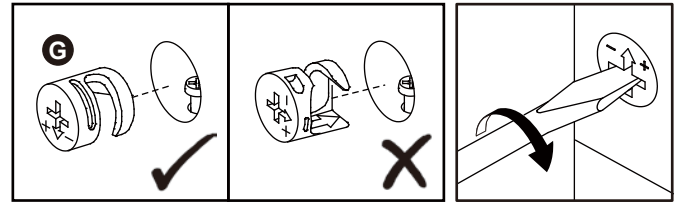
**b:** Insert Dowel **F** into the Drawer left side panel **20** and Drawer right side panel **19**.

Fix Drawer left side panel **20**, right side panel **19** and Drawer bottom support **22** onto the Drawer front panel **18**.

Insert 3 Locking nuts **H** into Drawer left side panel **20**, Drawer right side panel **19** and Drawer bottom support **22**.

Use a screwdriver to turn Locking nuts **H** clockwise.

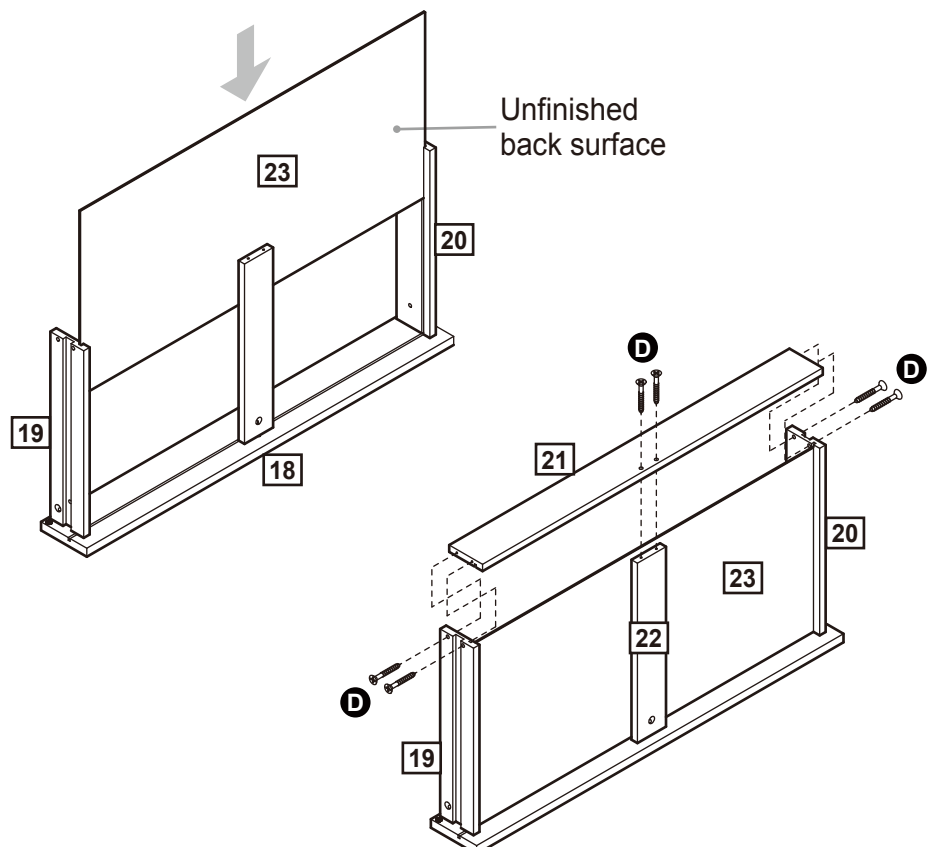
**b:**



**c:** Carefully slide the Drawer bottom panel **23** into the grooves as shown.

Position the Drawer back panel **21** onto the unit using Screw **D**.

**c:**



# Assembly Instructions

## Step 7

### Fixing to wall



**Warning:** In order to prevent overturning, this product must be used with the wall attachment device provided.

Use Screws(2 pcs) **M** to fix Wall straps(2 pcs) **O** onto the unit.

With help, move this product into position.



**Warning:** This product is heavy.

**Lift with care.**

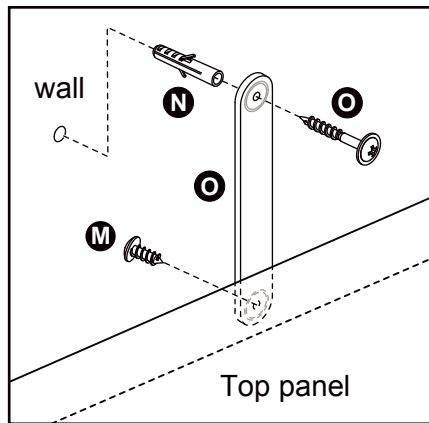
Mark fixing hole on wall and remove this product.

Drill 2 holes and insert Wall pulgs(2 pcs) **N**.

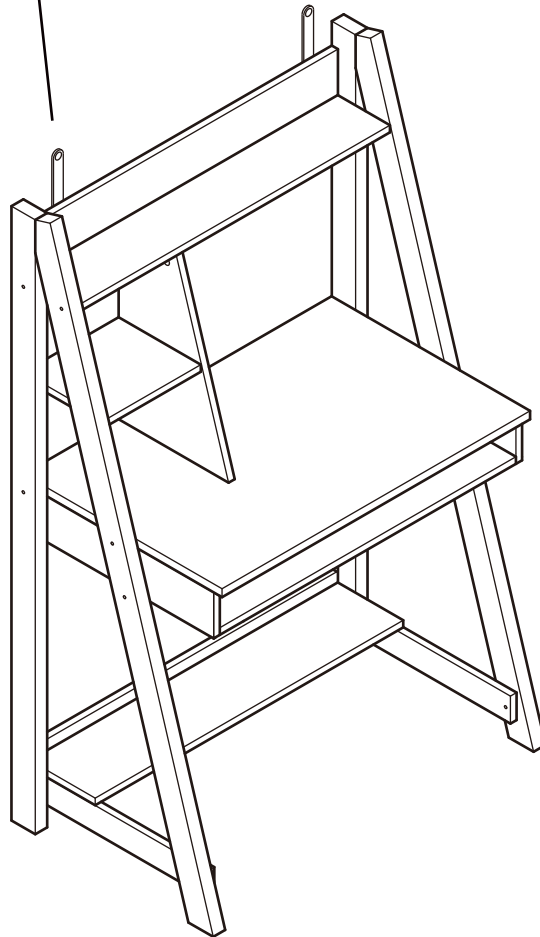
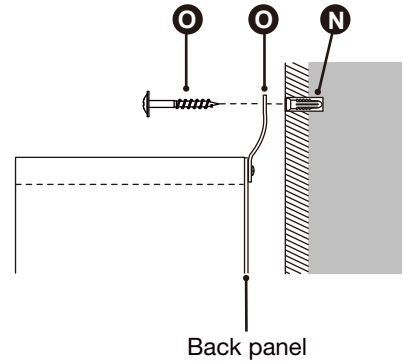


**Warning:** Before drilling, check wall for hidden pipes and cables.

Reposition this product and fix wall straps using Screws(2 pcs) **O**.



**Note:** Wall plugs supplied are for solid wall only.  
The correct type of fixing must be used for your wall, seek professional advice if in doubt



# Assembly Instructions

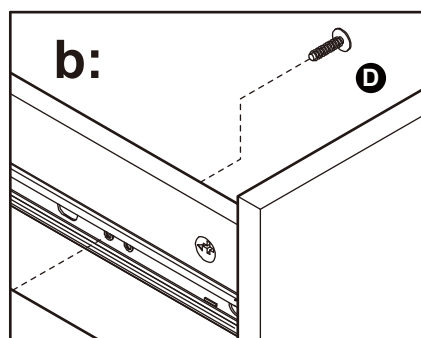
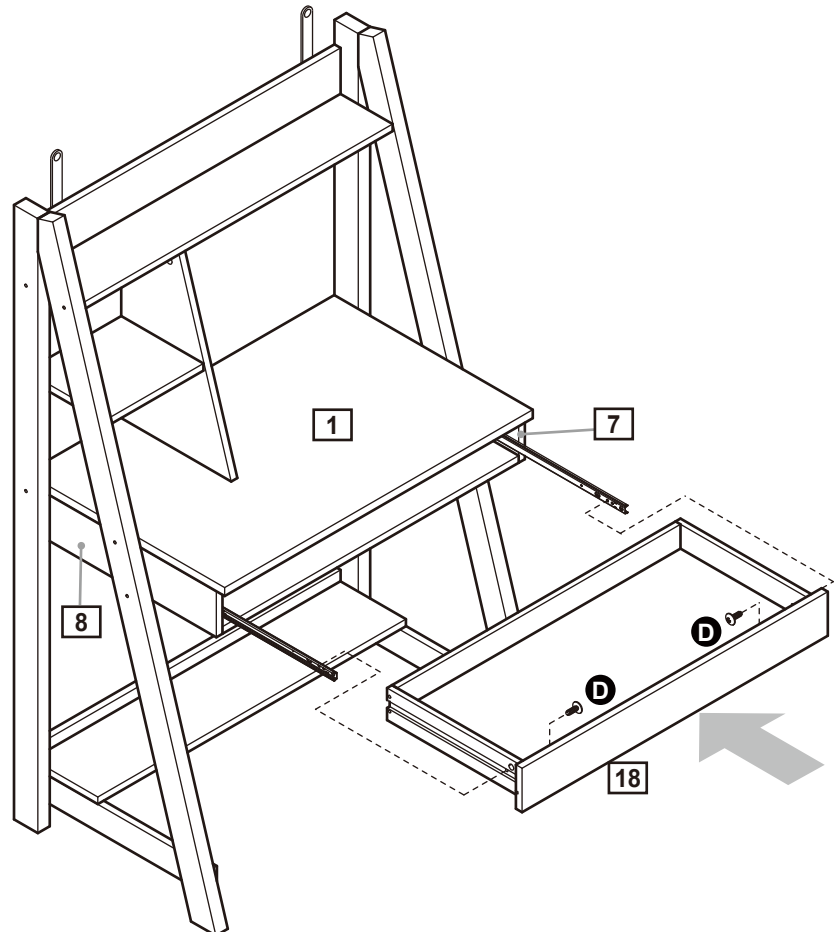
## Step 8

### Inserting drawers

**a:** Pull runners out. Slide drawers onto runners so they butt up against back of drawer front.

**b:** Fix through drawer sides into runners using screws **D**.

**a:**



Assembly is complete.

If you need help or have damaged or missing parts, call the  
**Argos = 0345 6400800**

# A Guide to - Wall Mounting & Fixings

## Important note:

If plastic wall plugs are supplied with your product:



- these are only suitable for use in masonry walls.

If you are in any doubt about the correct wall plugs for your wall, seek professional advice.


Failure of the product due to using incorrect fixings is the responsibility of the installer.



**Important:** When drilling into walls always check that there are no hidden wires or pipes etc.

Make sure that the screws and wall plugs being used are suitable for supporting your unit. Consult a qualified tradesperson if you are unsure.

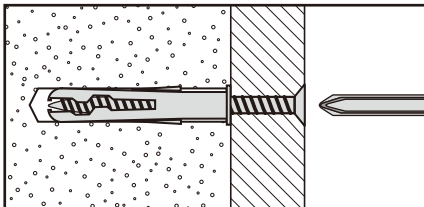
## Hints:

- 1: General rule:**  Always use a larger screw and wall plug if you are not sure.
- 2:** Ensure you use the recommended drill bit to match the wall plug and hole size.
- 3:** Ensure you drill the hole horizontally, do not force the drill or enlarge the hole.
- 4:** Take extra care when drilling high walls, ceilings and ceramic tiles. Ensure wall plugs are inserted beyond the thickness of the ceramic tiles to avoid the tiles splitting or cracking.
- 5:** Ensure wall plugs are well fitted and are a tight fit in the drilled hole.

## Types of walls

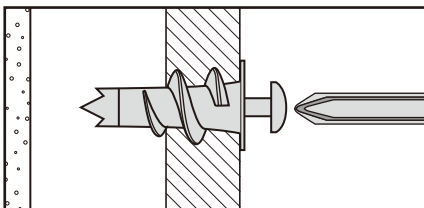
You can use one of the following types of wall plug if your walls are made of brick, breeze block, concrete, stone or wood.

### No.1 "General Purpose" wall plug



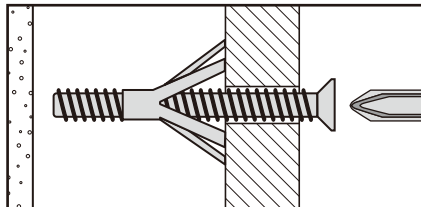
Generally aerated blocks should not be used to support heavy loads, use a specialist fitting in this case. For light loads, general purpose wall plugs can be used.

### No.2 "Plasterboard" wall plug



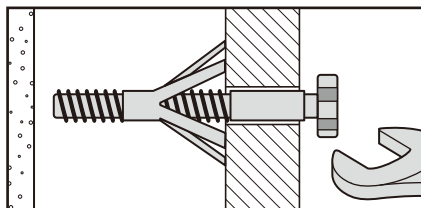
For use when attaching light loads on to plasterboard partitions.

### No.3 "Cavity Fixing" wall plug



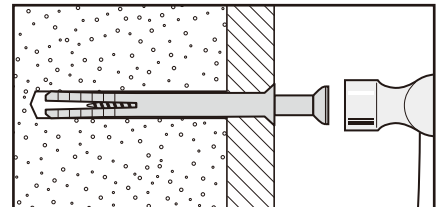
For use with plasterboard partitions or hollow wooden doors.

### No.4 "Cavity Fixing-Heavy Duty" wall plug



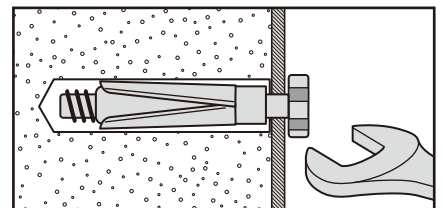
For use when fitting or supporting heavy loads such as shelving, wall cabinets and coat racks.

### No.5 "Hammer Fixing" wall plug



For use with walls stuck with plasterboard. The hammer fixing allows it to be fixed to the wall rather than the plasterboard. Always check the fixing is secure to the retaining wall.

### No.6 "Shield Anchor" wall plug Heavy loads



For use with heavier loads such as TV & HiFi speakers and satellite dishes etc.



## Care & Maintenance

**Safety:** Always check the fitting and location to ensure your safety in and around the home.

**Fitting:** From time to time check the fitting to ensure the wall plugs or screws do not become loose.