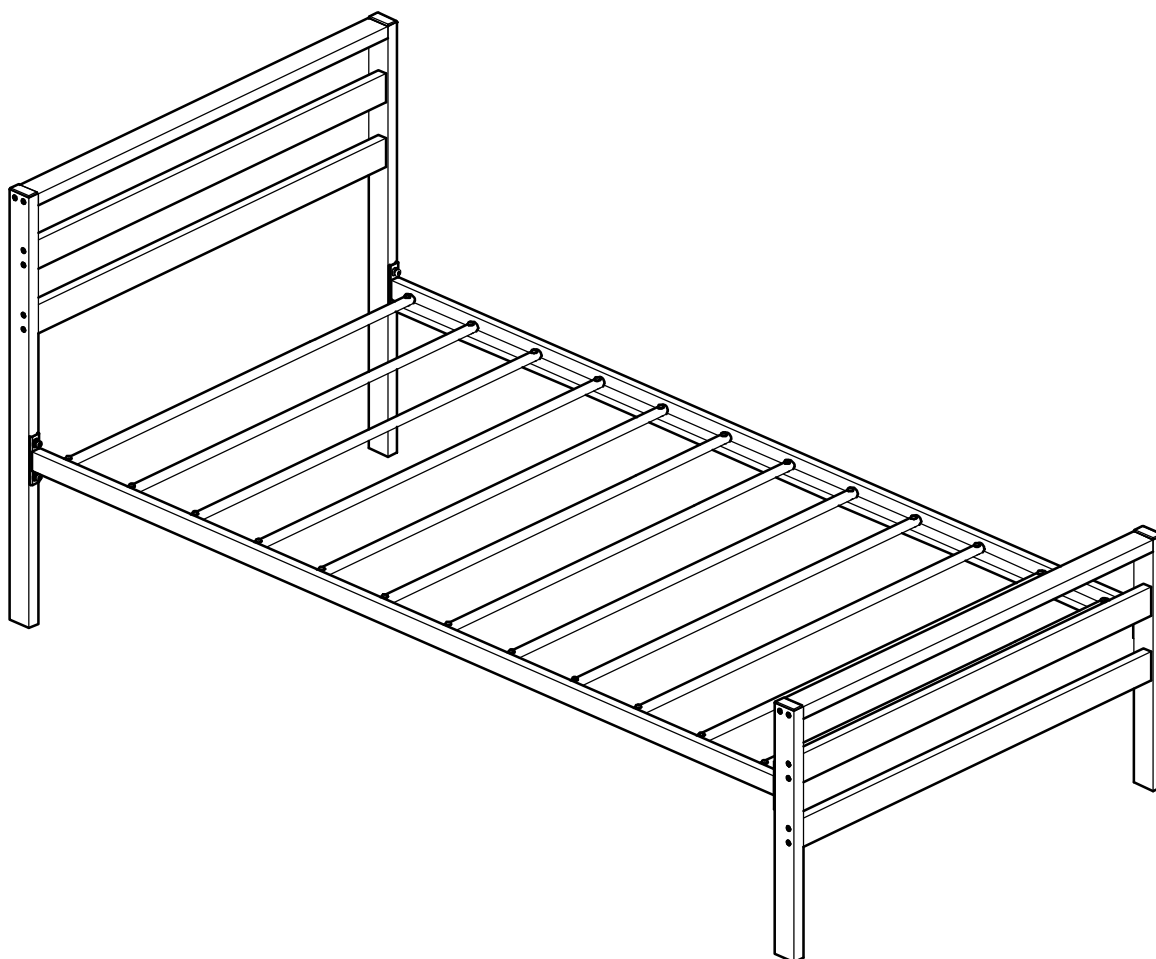


# Dalton Metal 3ft Frame

Assembly Instructions - Please keep for future reference

656/9624



## Dimensions

Width - 97cm

Depth - 202cm

Height - 91cm

**Important – Please read these instructions fully before starting assembly**

If you need help or have damaged or missing parts, call the **Customer Helpline: 0845 6400800**



# Safety and Care Advice

**Important – Please read these instructions fully before starting assembly**

- Check you have all the components and tools listed on pages 2 and 3.
- Remove all fittings from the plastic bags and separate them into their groups.
- Keep children and animals away from the work area, small parts could choke if swallowed.
- Make sure you have enough space to layout the parts before starting.

- As you unpack and prepare for assembly, clear an area for assembly. The parts should be placed on a carpeted or padded area to protect them from damage.
- Parts of the assembly will be easier with 2 or 3 people.
- Do not discard any of the packaging until you have checked that you have all the parts and pack of fittings.



- We do not recommend the use of power drill/drivers **for inserting screws**, as this could damage the unit. Only use hand screwdrivers.
- To ensure an easier assembly, we strongly advise that all fittings are only finger tightened during initial assembly. Only upon completion of the assembly should all fixing points be fully tightened.

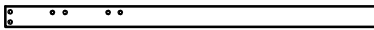
## Care and maintenance

- Only clean using a damp cloth and mild detergent, do not use bleach or abrasive cleaners.
- From time to time check that there are no loose screws on this unit.
- This product should not be discarded with household waste. Take to your local authority waste disposal centre.

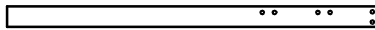
# Components - Panels

If you have damaged or missing components,  
call the **Customer Helpline: 0845 6400800**

Please check you have all the panels listed below



**1** Left headboard post  
(90.6 x 5cm)



**2** Right headboard post  
(90.6 x 5cm)



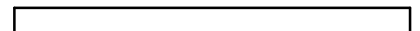
**3** Left footboard post  
(53.1 x 5cm)



**4** Right footboard post  
(53.1 x 5cm)



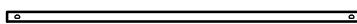
**5** Top horizontal bar x 2  
(91.9 x 5cm)



**6** Middle horizontal bar x 4  
(91.9 x 6cm)



**7** Side rail x 2 (191.6 x 10cm)

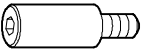
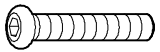
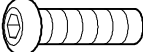









**8** Slat x 12 (dia1.9 x 92cm)

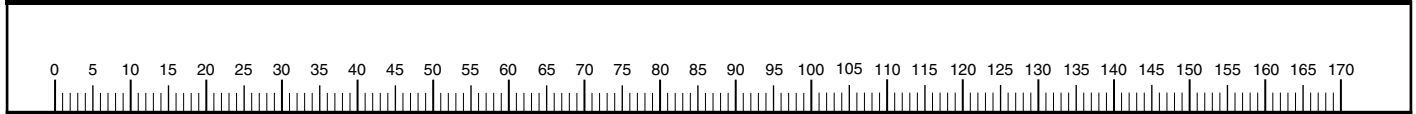
# Components - Fittings

Please check you have all the fittings listed below

**Note:** The quantities below are the correct amount to complete the assembly. In some cases more fittings may be supplied than are required.

<p><b>A</b> </p> <p>36mm Bolt x 24</p>	<p><b>B</b> </p> <p>42mm Bolt x 24</p>	<p><b>C</b> </p> <p>30mm Bolt x 8</p>
<p><b>D</b> </p> <p>Small plain washer x 48</p>	<p><b>E</b> </p> <p>Large plain washer x 8</p>	<p><b>F</b> </p> <p>Spring washer x 8</p>
<p><b>G</b> </p> <p>Nut x 24</p>	<p><b>H</b> </p> <p>Small hex key x 1</p>	<p><b>I</b> </p> <p>Large hex key x 1</p>
<p><b>J</b> </p> <p>Wrench x 1</p>		

**Ruler** - Use this ruler to help correctly identify the screws



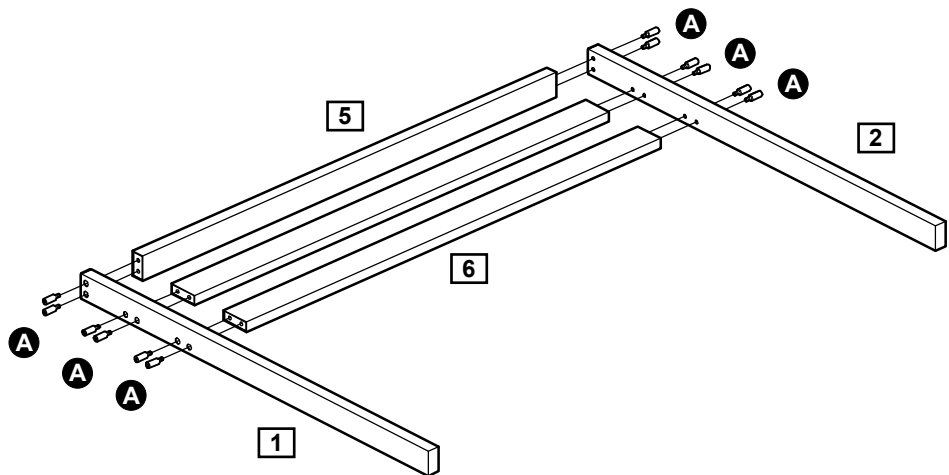
# Assembly Instructions

## Step 1

### Assemble headboard

Assemble top horizontal bar **5** and middle horizontal bars **6** to left headboard post **1** and right headboard post **2** using bolts **A** as shown in the figure.

**Note: Do not fully tighten bolts.**

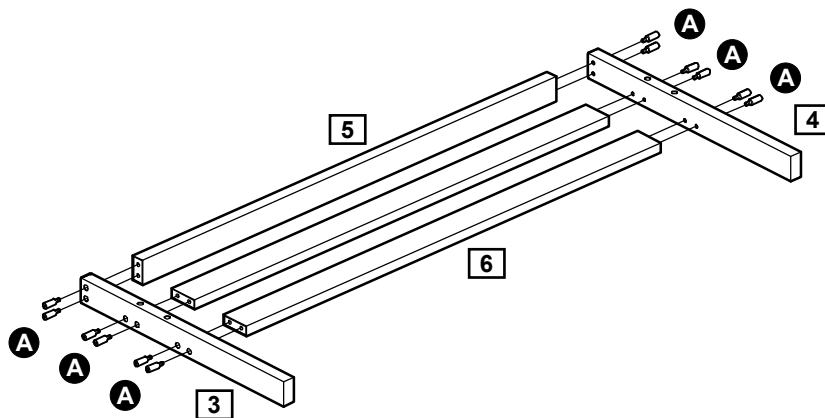


## Step 2

### Assemble footboard

Assemble top horizontal bar **5** and middle horizontal bars **6** to left footboard post **3** and right footboard post **4** using bolts **A** as shown in the figure.

**Note: Do not fully tighten bolts.**



# Assembly Instructions

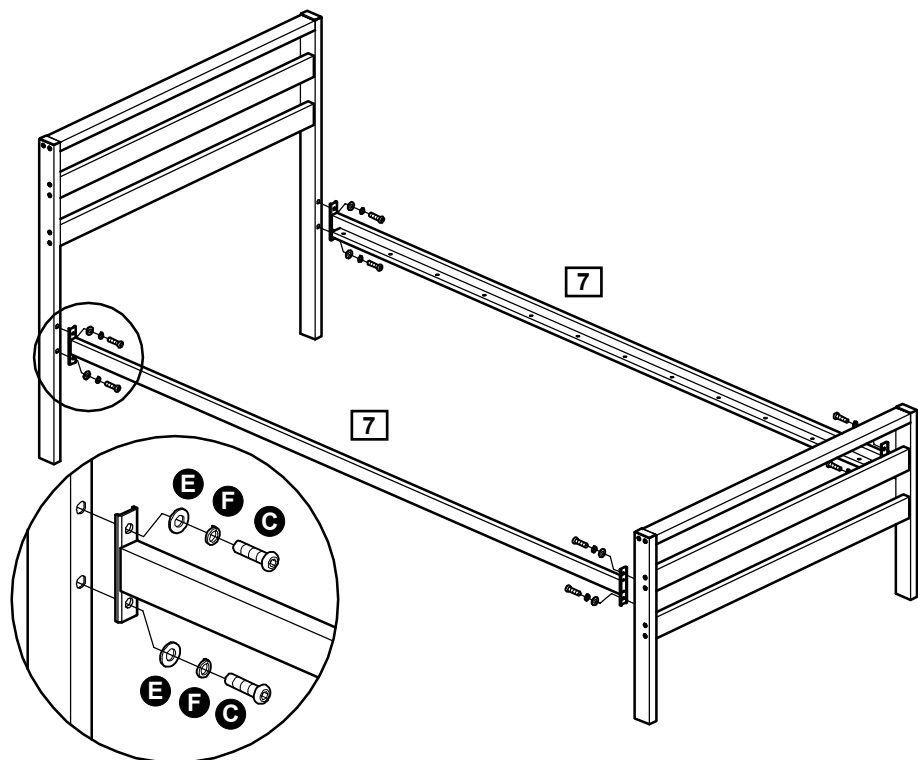
## Step 3

### Assemble side rails

Three people are needed here.

Assemble side rails **7** to headboard frame and footboard frame using bolts **C**, spring washers **F** and large plain washers **E**.

**Note:** Do not fully tighten bolts.



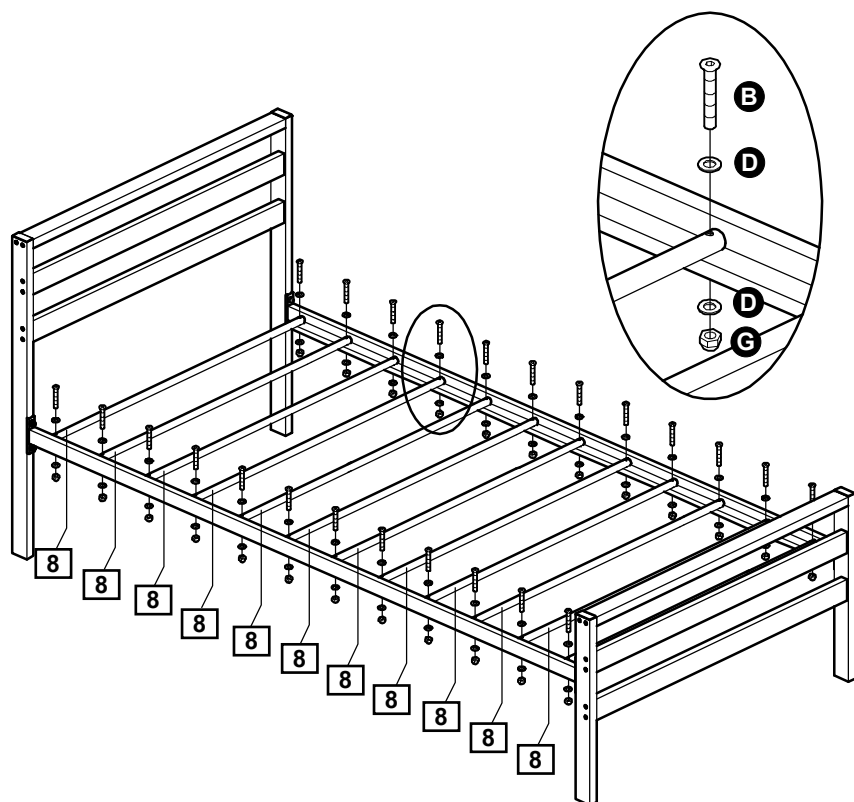
## Step 4

### Assemble slats

Assemble slats **8** to the unit using bolts **B**, small plain washers **D** and nuts **G**.

**Note:** Re-tighten all the bolts.

Assembly is complete.



If you need help or have damaged or missing parts, call the **Customer Helpline: 0845 6400800**