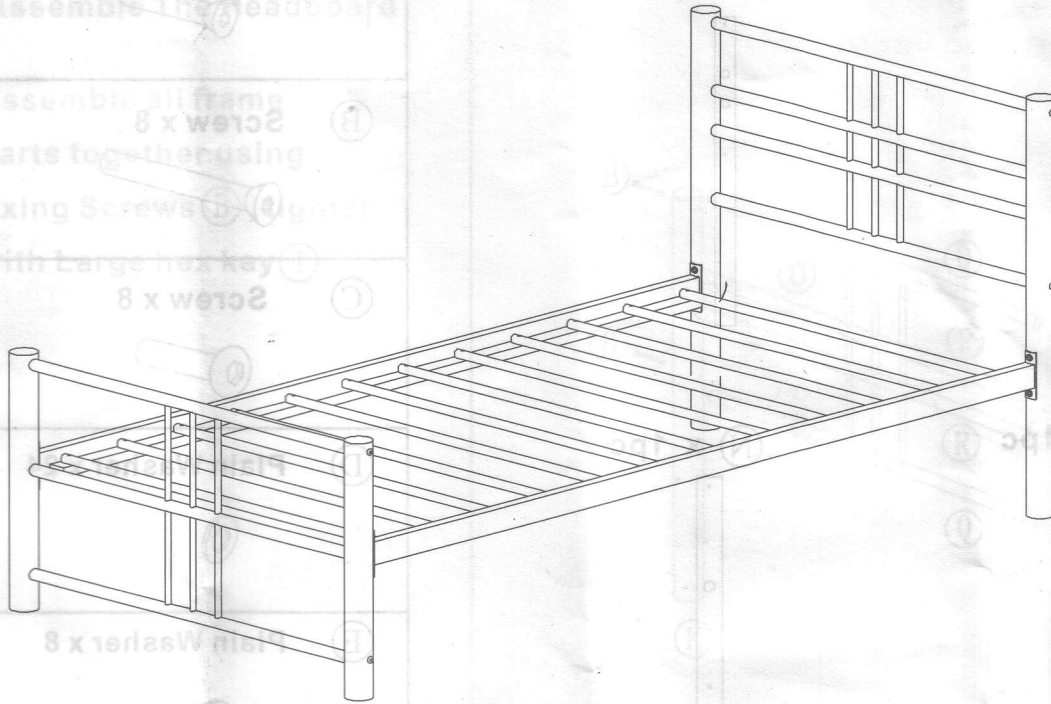


664/9458(0)

## ATLAS 3FT FRAME

### Assembly Instructions



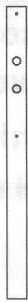
Before you  
start, here  
is some  
helpful advice

1. We suggest you spend a short time reading through this leaflet and then follow the simple step by step instructions.
2. If you follow the instructions carefully the end result should be worth the effort.
3. Do not discard any of the packaging until you have checked that you have all the parts and the pack of fittings.
4. Assemble this product on a flat floor.
5. To ensure an easier assembly, We strongly advise that all fittings are only finger tightened during initial assembly. Only upon completion of the assembly should all fixing points be fully tightened.
6. We recommend a periodic check on all fixing points to make sure they remain fully tightened.
7. Keep glue and fittings out of children's reach.

**PARTS**

**FITTINGS**

**(K) x 1pc**



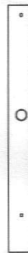
**(L) x 1pc**



**(M) x 1pc**



**(N) x 1pc**



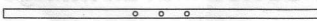
**(O) x 3 pcs**



**(P) x 3 pcs**



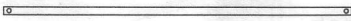
**(Q) x 4 pcs**



**(R) x 3 pcs**



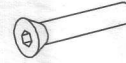
**(S) x 12 pcs**



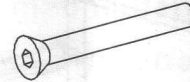
**(T) x 2 pcs**



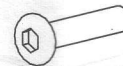
**(A) Screw x 24**



**(B) Screw x 8**



**(C) Screw x 8**



**(D) Plain Washer x 24**



**(E) Plain Washer x 8**



**(F) Spring Washer x 8**



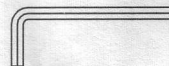
**(G) Nut x 24**



**(H) Small Hex Key x 1**



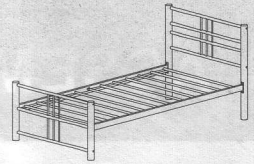
**(I) Large Hex Key x 1**



**(J) Wrench x 1**



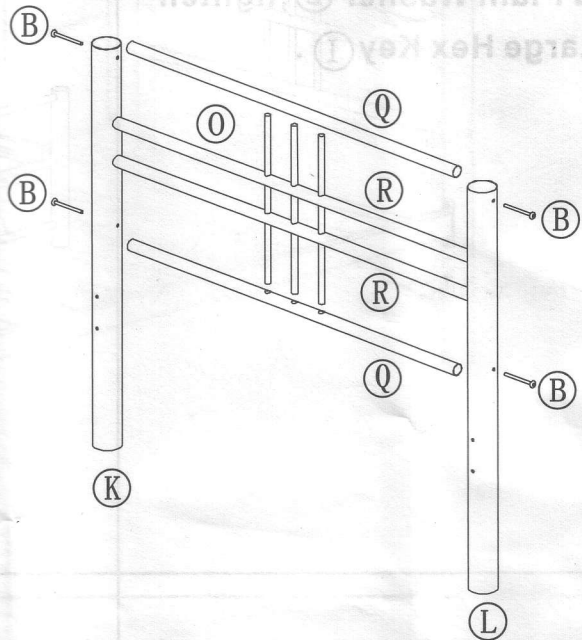
# ASSEMBLY



## Assemble The Headboard

Assemble all frame parts together using fixing Screws (B), tighten with Large hex key (I).

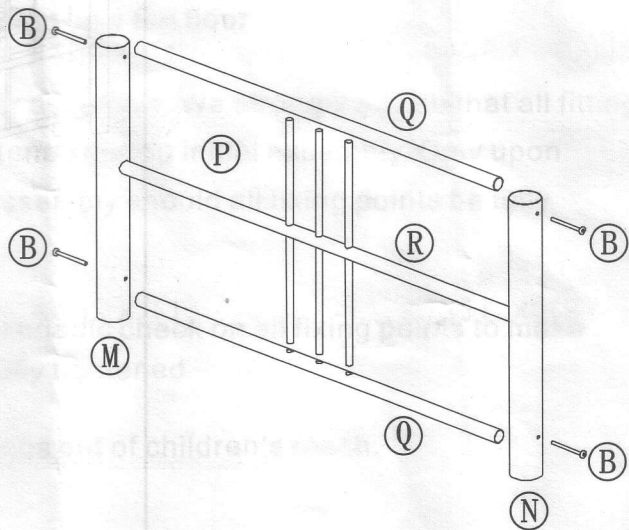
### STEP 1



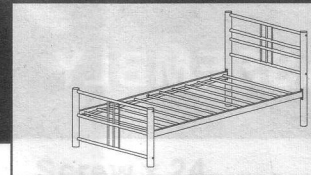
## Assemble The Footboard

Assemble all frame parts together using fixing Screws (B), tighten with Large hex key (I).

### STEP 2

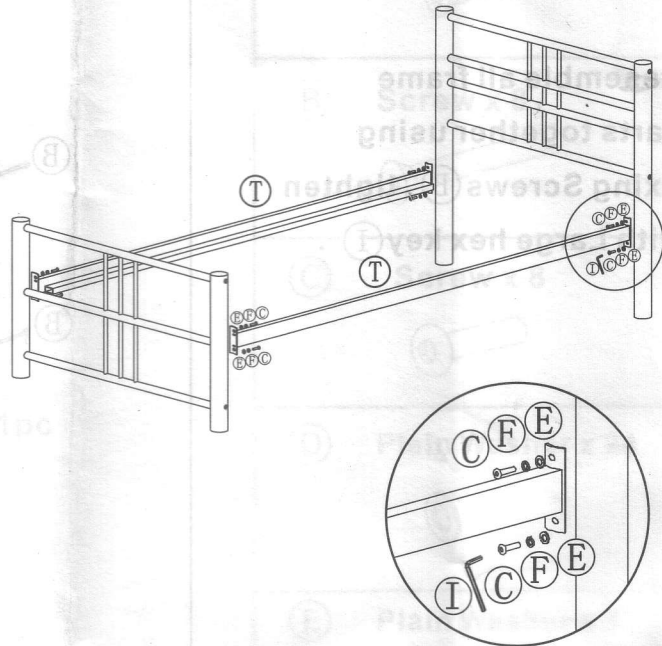


# ASSEMBLY



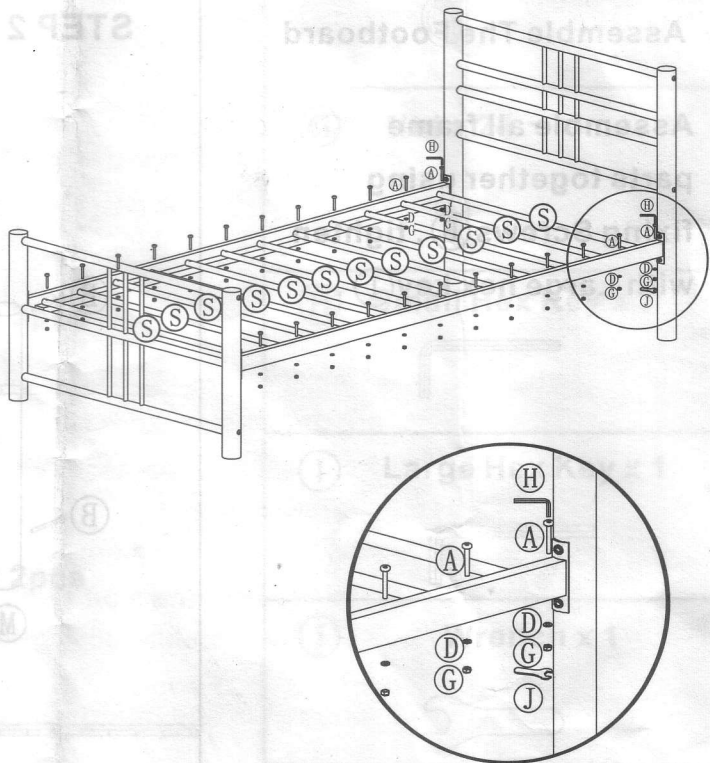
Assemble Side Rails (T) to the Headboard and Footboard using Screws (C), Spring Washer (F) and Plain Washer (E), tighten with Large Hex Key (I).

## STEP 3



Assemble the Slats (S) onto the unit using Screw (A), Plain Washer (D), Nut (G), tighten with Small Hex Key (H) and Wrench (J).

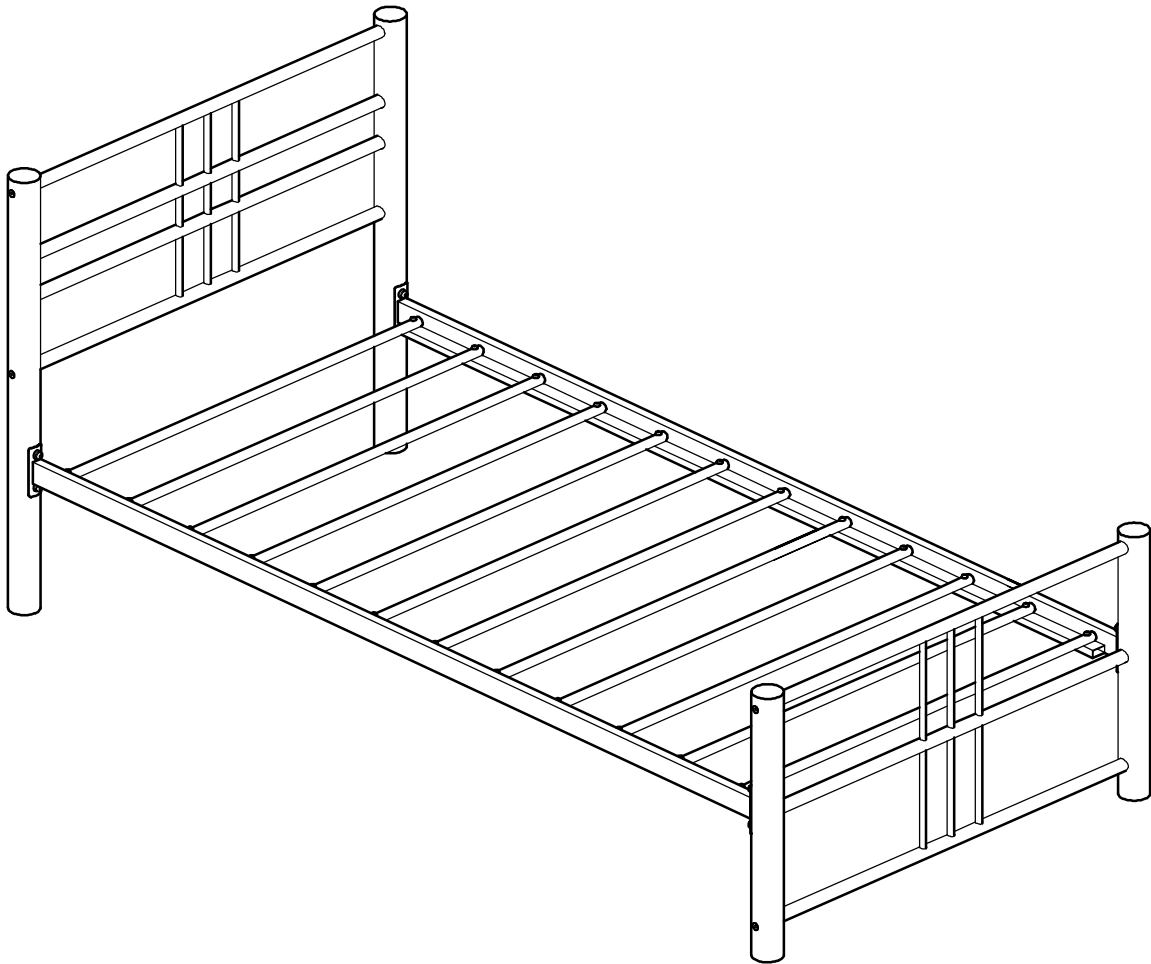
## STEP 4



# Atlas 3ft Bed

Assembly Instructions - Please keep for future reference

664/9458



## Dimensions

Width - 100cm

Depth - 204cm

Height - 89cm

**Important – Please read these instructions fully before starting assembly**

If you need help or have damaged or missing parts, call the **Customer Helpline: 0845 6400800**



# Safety and Care Advice

**Important – Please read these instructions fully before starting assembly**

- Check you have all the components and tools listed on pages 2 and 3.
- Remove all fittings from the plastic bags and separate them into their groups.
- Keep children and animals away from the work area, small parts could choke if swallowed.
- Make sure you have enough space to layout the parts before starting.

- As you unpack and prepare for assembly, clear an area for assembly. The parts should be placed on a carpeted or padded area to protect them from damage.
- Parts of the assembly will be easier with 2 or 3 people.
- Do not discard any of the packaging until you have checked that you have all the parts and pack of fittings.



- We do not recommend the use of power drill/drivers **for inserting screws**, as this could damage the unit. Only use hand screwdrivers.
- To ensure an easier assembly, we strongly advise that all fittings are only finger tightened during initial assembly. Only upon completion of the assembly should all fixing points be fully tightened.

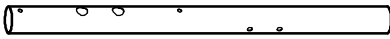
## Care and maintenance

- Only clean using a damp cloth and mild detergent, do not use bleach or abrasive cleaners.
- From time to time check that there are no loose screws on this unit.
- This product should not be discarded with household waste. Take to your local authority waste disposal centre.

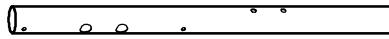
# Components - Panels

If you have damaged or missing components, call the **Customer Helpline: 0845 6400800**

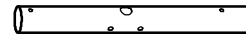
Please check you have all the panels listed below



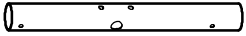
**1** Left headboard post  
(dia6.0 x 90cm)



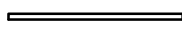
**2** Right headboard post  
(dia6.0 x 90cm)



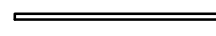
**3** Left footboard post  
(dia6.0 x 55cm)



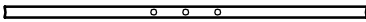
**4** Right footboard post  
(dia6.0x 55cm)



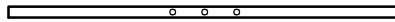
**5** Headboard upright x 3  
(dia1.27 x 39.4cm)



**6** Footboard upright x 3  
(dia1.27 x 46.9cm)



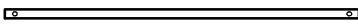
**7** End horizontal bar x 4  
(dia2.5 x 88.8cm)



**8** Middle horizontal bar x 3  
(dia2.5 x 99.5cm)



**9** Side rail x 2 (192 x 10cm)

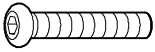
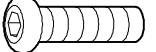
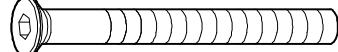





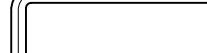



**10** Slat x 12 (dia1.9 x 92cm)

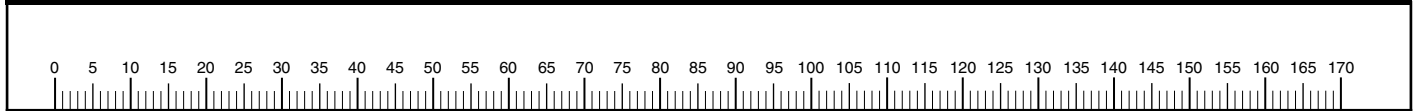
# Components - Fittings

Please check you have all the fittings listed below

**Note:** The quantities below are the correct amount to complete the assembly. In some cases more fittings may be supplied than are required.

<p><b>A</b> </p> <p>42mm Bolt x 24</p>	<p><b>B</b> </p> <p>30mm Bolt x 8</p>	<p><b>C</b> </p> <p>80mm Bolt x 8</p>
<p><b>D</b> </p> <p>Small plain washer x 48</p>	<p><b>E</b> </p> <p>Large plain washer x 8</p>	<p><b>F</b> </p> <p>Spring washer x 8</p>
<p><b>G</b> </p> <p>Nut x 24</p>	<p><b>H</b> </p> <p>Small hex key x 1</p>	<p><b>I</b> </p> <p>Large hex key x 1</p>
<p><b>J</b> </p> <p>Wrench x 1</p>		

**Ruler** - Use this ruler to help correctly identify the screws





# Assembly Instructions

## Step 1

### Assemble headboard

**a:** Assemble end horizontal bar **7** and middle horizontal bars **8** to left headboard post **1** and right headboard post **2** using bolts **C** as shown in the figure.

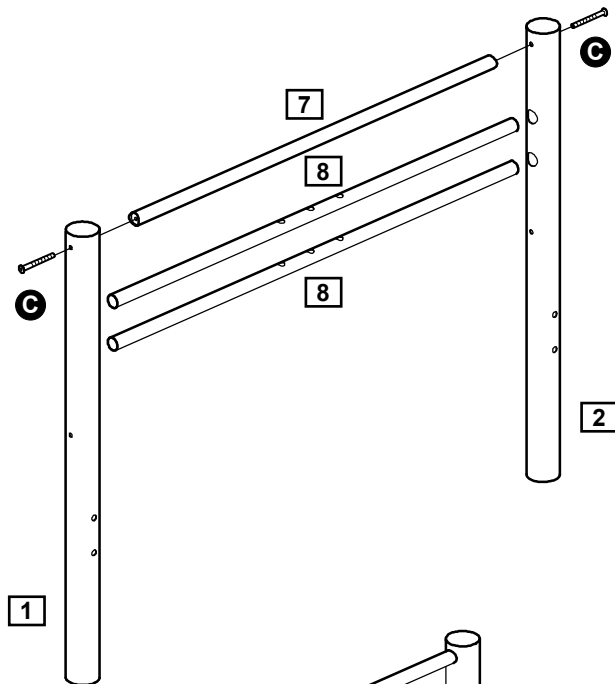
**Note:** The chrome cap on both posts should be at the top.

**Do not fully tighten bolts.**

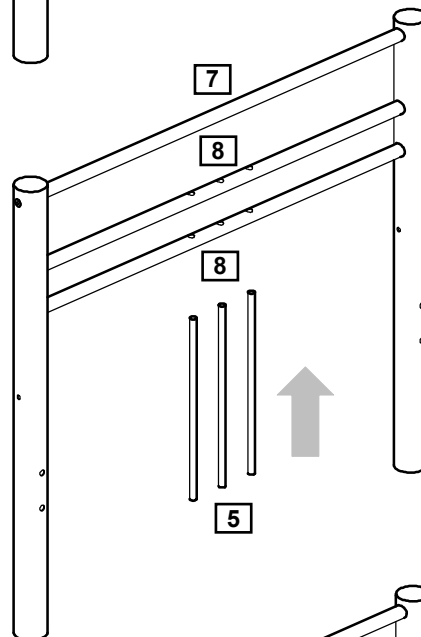
**b:** Insert headboard uprights **5** through middle horizontal bars **8** to end horizontal bar **7**.

**c:** Attach end horizontal bar **7** to the headboard uprights and fix to the headboard posts using bolts **C**.

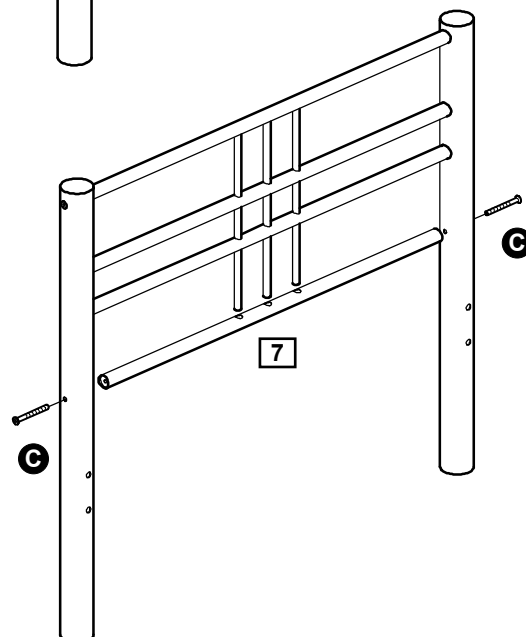
**a:**



**b:**



**c:**



# Assembly Instructions

## Step 2

### Assemble footboard

**a:** Assemble end horizontal bar **7** and middle horizontal bar **8** to left footboard post **3** and right footboard post **4** using bolts **C** as shown in the figure.

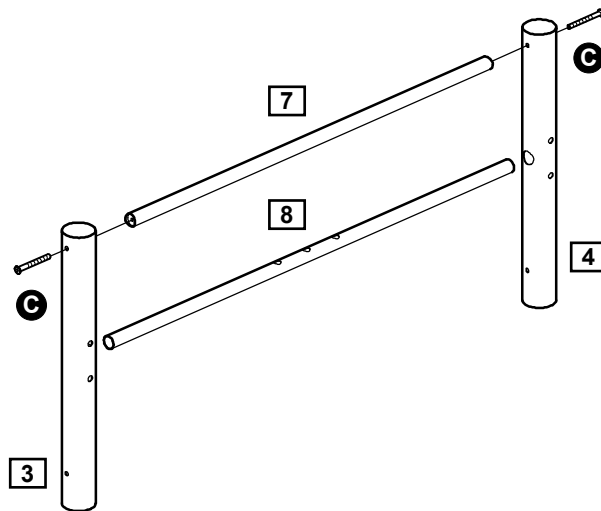
**Note:** The chrome cap on both posts should be at the top.

**Do not fully tighten bolts.**

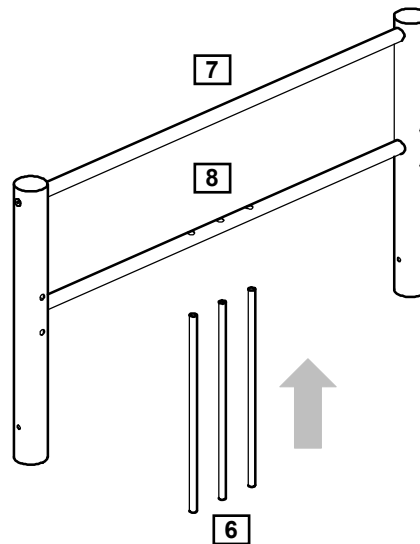
**b:** Insert footboard uprights **6** through middle horizontal bar **8** to end horizontal bar **7**.

**C:** Attach end horizontal bar **7** to the footboard uprights and fix to the headboard posts using bolts **C**.

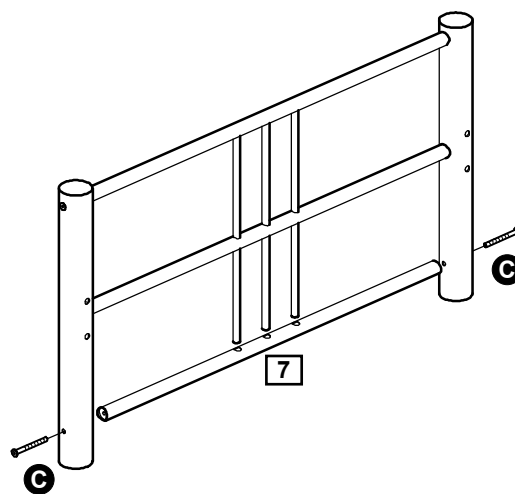
**a:**



**b:**



**C:**



# Assembly Instructions

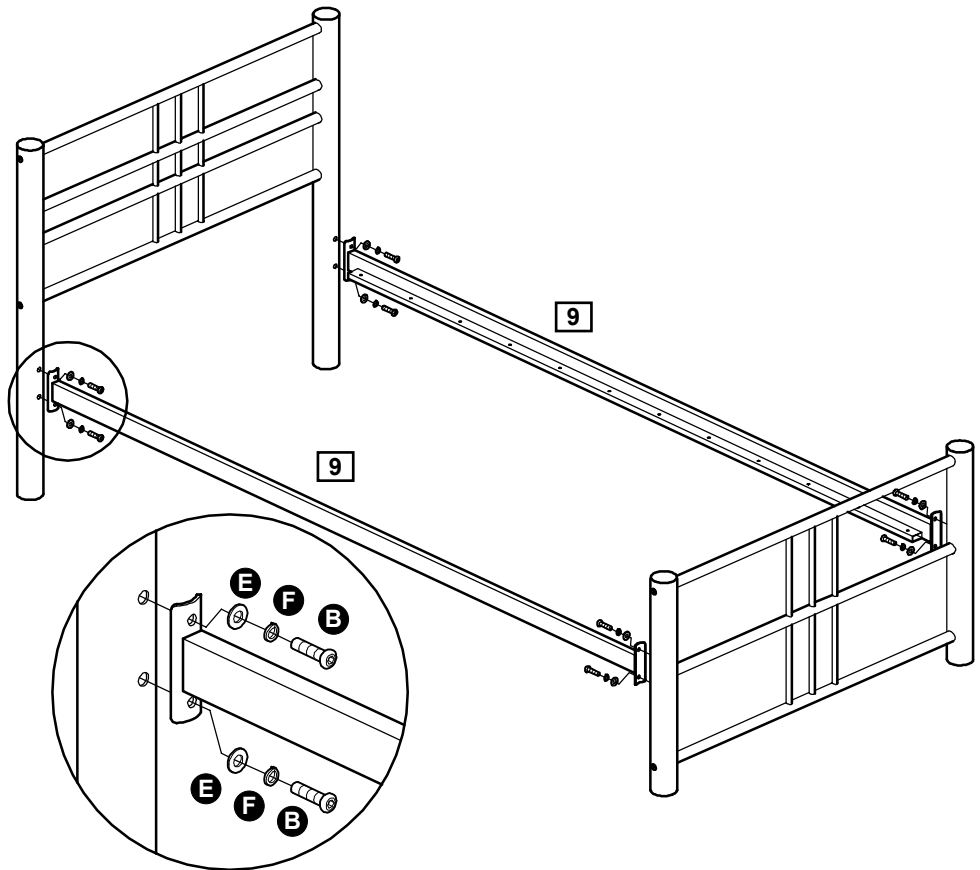
## Step 3

### Assemble side rails

Three people are needed here.

Assemble side rails **9** to headboard frame and footboard frame using bolts **B**, spring washers **F** and large plain washers **E**.

**Note:** Do not fully tighten bolts.



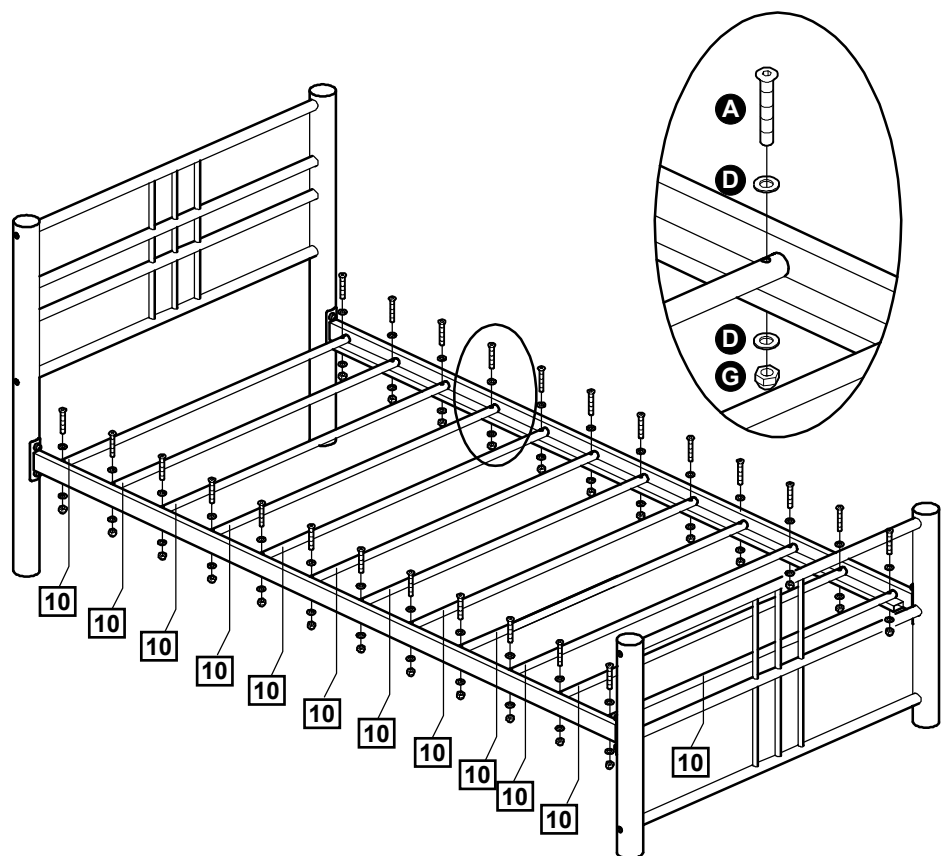
## Step 4

### Assemble slats

Assemble slats **10** to the unit using bolts **A**, small plain washers **D** and nuts **G**.

**Note:** Re-tighten all the bolts.

Assembly is complete.



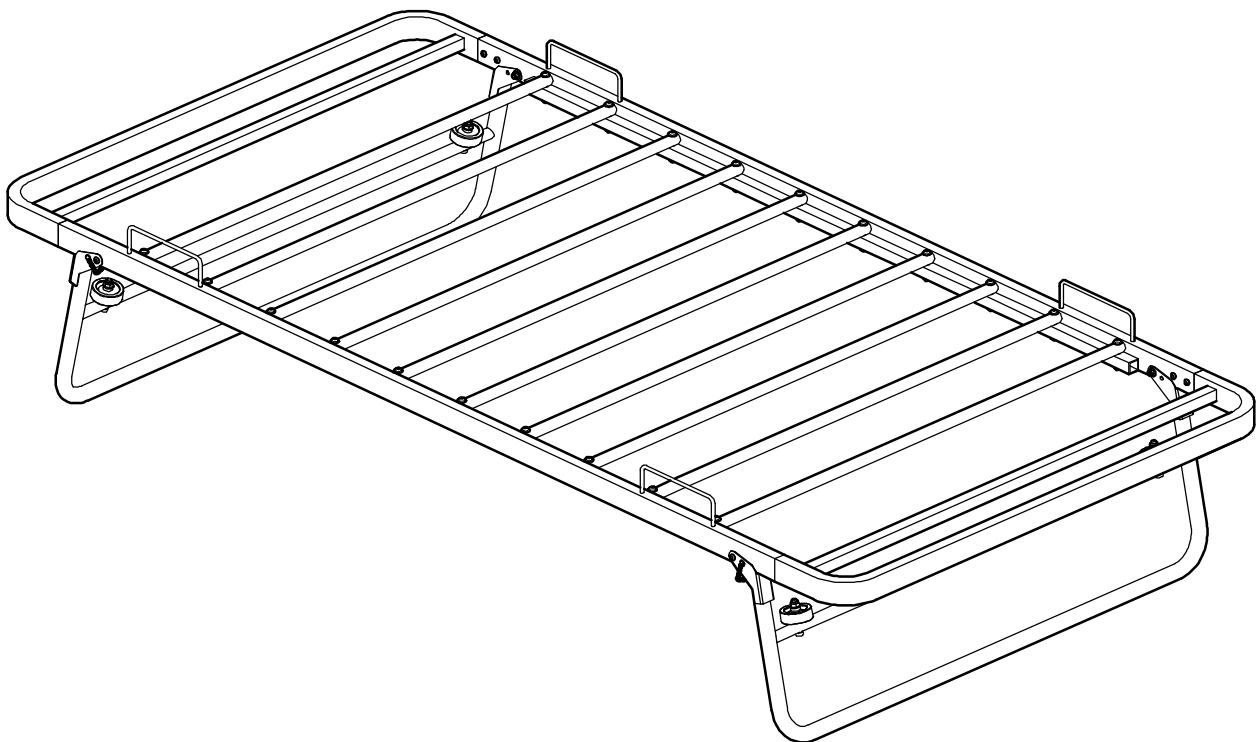
If you need help or have damaged or missing parts, call the **Customer Helpline: 0845 6400800**

# Atlas 3ft Guestbed Trundle

Assembly Instructions - Please keep for future reference

649/7545

633/3496



## Dimensions

Width - 93cm

Depth - 191cm

Height - 34cm

**Important – Please read these instructions fully before starting assembly**

If you need help or have damaged or missing parts, call the **Customer Helpline: 0845 6400800**



# Safety and Care Advice

**Important – Please read these instructions fully before starting assembly**

- Check you have all the components and tools listed on pages 2 and 3.
- Remove all fittings from the plastic bags and separate them into their groups.
- Keep children and animals away from the work area, small parts could choke if swallowed.
- Make sure you have enough space to layout the parts before starting.

- As you unpack and prepare for assembly, clear an area for assembly. The parts should be placed on a carpeted or padded area to protect them from damage.
- Parts of the assembly will be easier with 2 people.
- Do not discard any of the packaging until you have checked that you have all the parts and pack of fittings.



- We do not recommend the use of power drill/drivers **for inserting screws**, as this could damage the unit. Only use hand screwdrivers.
- To ensure an easier assembly, we strongly advise that all fittings are only finger tightened during initial assembly. Only upon completion of the assembly should all fixing points be fully tightened.

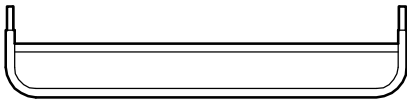
## Care and maintenance

- Only clean using a damp cloth and mild detergent, do not use bleach or abrasive cleaners.
- From time to time check that there are no loose screws on this unit.
- This product should not be discarded with household waste. Take to your local authority waste disposal centre.

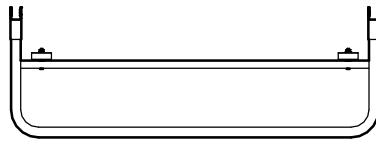
# Components - Panels

If you have damaged or missing components,  
call the **Customer Helpline: 0845 6400800**

Please check you have all the panels listed below



**1** End x 2 (93 x 21cm)



**2** Leg x 2 (93.5 x 33.1cm)



**3** Side rail (160 x 9cm)



**4** Side rail (160x9cm)


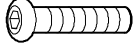
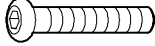







**5** Slat x 10 (dia1.9x88.6cm)

# Components - Fittings

Please check you have all the fittings listed below

**Note:** The quantities below are the correct amount to complete the assembly. In some cases more fittings may be supplied than are required.

<b>A</b>  17mm Bolt x 8	<b>B</b>  37mm Bolt x 4	<b>C</b>  48mm Bolt x 20
<b>D</b>  Plain washer x 44	<b>E</b>  Nut x 4	<b>F</b>  Cap nut x 20
<b>G</b>  Hex key x 1	<b>H</b>  Wrench x 1	

**Ruler** - Use this ruler to help correctly identify the screws



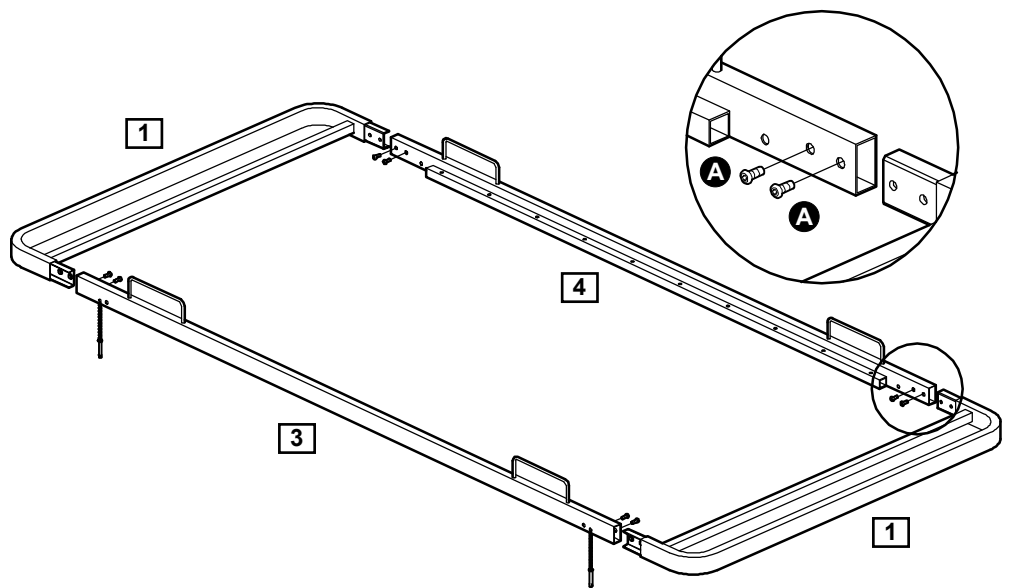
0 5 10 15 20 25 30 35 40 45 50 55 60 65 70 75 80 85 90 95 100 105 110 115 120 125 130 135 140 145 150 155 160 165 170

# Assembly Instructions

## Step 1

### Assemble ends

Assemble ends **1** to side rails **3** and **4** using bolts **A**.



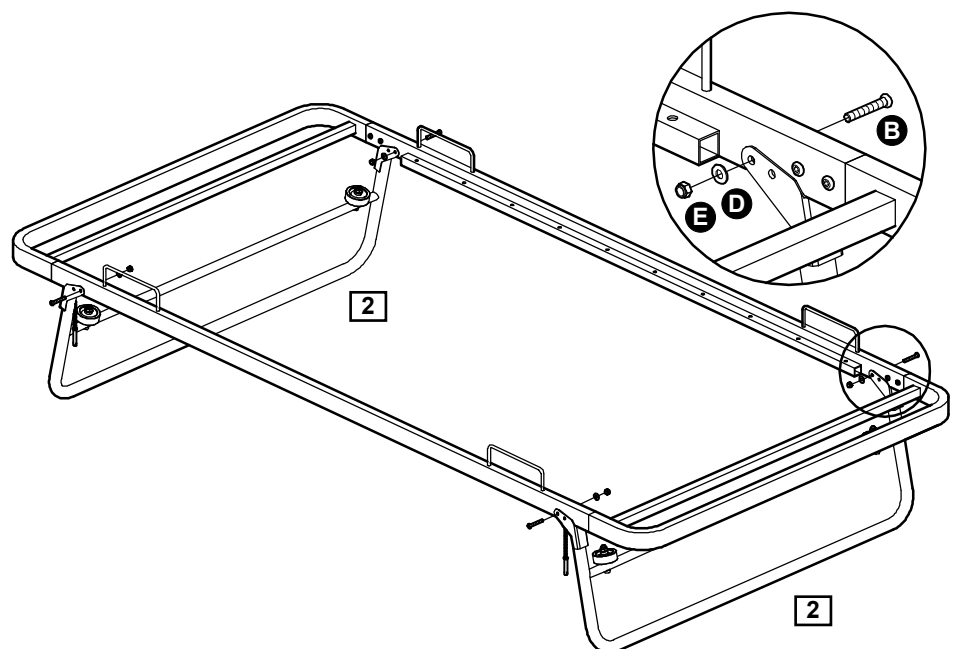
## Step 2

### Assemble legs

Two people are needed here.

Assemble legs **2** to side rails using bolts **B**, plain washers **D** and nuts **E**.

**Note: Do not tighten bolts.**





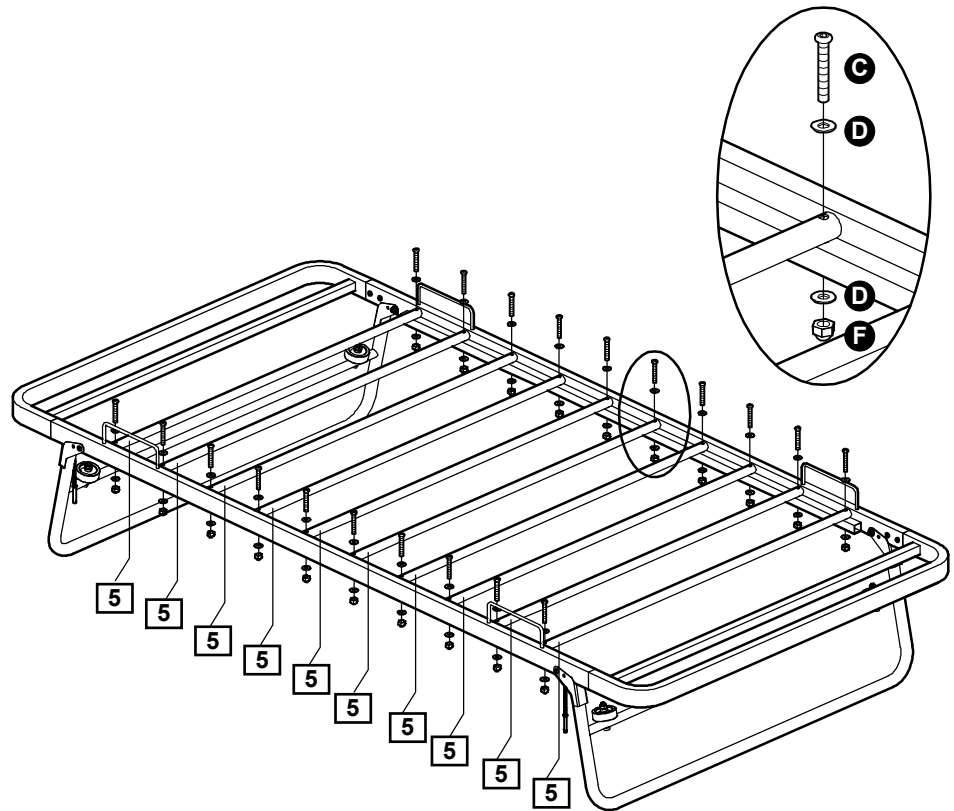
# Assembly Instructions

## Step 3

### Assemble slats

Assemble slats **5** to the unit using bolts **C**, plain washers **D** and cap nuts **F**.

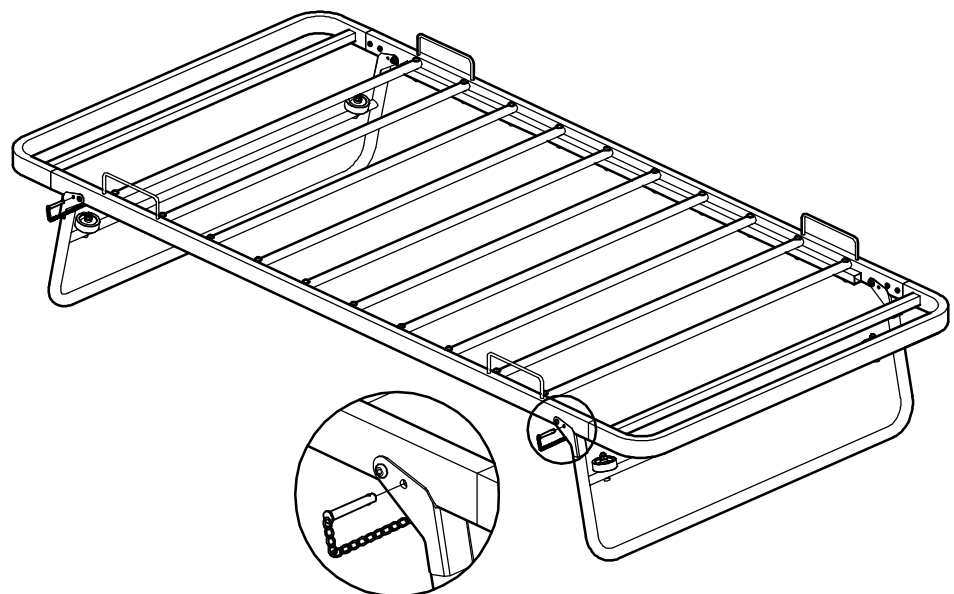
**Note: Re-tighten all the bolts.**



### Caution:

Ensure the locking pins are inserted into the holes when in use. Failure to do so could cause a hazard.

**Assembly is complete.**



If you need help or have damaged or missing parts, call the **Customer Helpline: 0845 6400800**

**PLEASE READ BEFORE ASSEMBLY**

CAREFULLY REMOVE ALL PACKAGING STAPLES TO AVOID INJURY AND DESTROY ALL POLYTHENE TO AVOID THE RISK OF SUFFOCATION IN CHILDREN

**ACCESSORIES KIT**

- |                                     |                                  |
|-------------------------------------|----------------------------------|
| 2ft 6in/3ft                         | 3' Guest Bed (under bed on legs) |
| 6 Plastic feet or 6 Metal Castors   | 4 Plastic feet                   |
| 2 Bolts                             | 2 Bolts                          |
| 2 Washers                           | 2 Washers                        |
| 4ft 6in/5ft (One kit per base half) | 4 Metal Castors                  |
| 4 Plastic feet or 4 Metal Castors   | 2 Bolts                          |
| 1 Bolt                              | 2 Washers                        |
| 1 Washer                            |                                  |
| 1 Joining clip                      |                                  |

**PLEASE NOTE: ONLY SOME MODELS ARE SUPPLIED WITH CASTORS ALL THE OTHERS WITH PLASTIC FEET**

**HEADBOARD FIXINGS ALL SIZES AND ALL MODELS:** HOLES FOR THE HEADBOARD BOLTS CAN BE LOCATED APPROX 140mm FROM EITHER SIDE AND APPROX 20mm FROM THE TOP. TO INSERT THE BOLT GENTLY PIERCE THE CLOTH WITH SCISSORS. (Image 1)

**DOUBLE OR KING SIZE DIVAN ONLY:** FOR EASY ASSEMBLY WE RECOMMEND TWO PEOPLE FOR THIS OPERATION. TO JOIN THE TWO HALVES PLACE TOGETHER ON THEIR SIDES THEN CAREFULLY PUSH LINKING CLIPS SUPPLIED OVER THE CENTRE RAILS (WHICH CAN BE FOUND ON THE UNDERSIDE OF THE DIVAN) APPROX 420mm IN FROM EACH SIDE (Image 2).

**GLIDES:** CARPET PROTECTING GLIDES SHOULD BE PUSHED FIRMLY INTO THE PRE-DRILLED HOLE, IN THE CENTRE OF THE WOODEN BLOCKS, UNDERNEATH THE DUST COVER.

FIRST LOCATE THE HOLE  
SECOND PUSH THE GLIDE THROUGH THE DUST COVER AND INTO THE HOLE, IT MAY BE NECESSARY TO GENTLY HIT THE GLIDE WITH A Mallet

**INSTRUCTIONS FOR MODELS WITH CASTORS:** THE CASTOR SOCKETS ARE ALREADY FITTED TO THE BED. THE CASTORS ARE IN A SEPARATE BAG, READY TO BE INSERTED INTO THE SOCKETS. KNOCK THE CASTORS DOWNWARDS USING A Mallet OR BLOCK OF WOOD. DO NOT USE A HAMMER AS THIS COULD RESULT IN DAMAGE. THE CASTORS WILL TIGHTEN UP WHEN THE LUG REACHES THE TAPERED END OF THE SOCKET. AT THE POINT OF TIGHTENING GIVE THE CASTOR A FIRM TAP. THIS SHOULD THEN ENSURE THAT THE LUG HAS LOCATED IN THE CORRECT POSITION. (Image 3, 4 and 5)

**INSTRUCTIONS FOR LIFT AND LOCK METAL LEGS (Guest bed with under bed on legs only):** FROM THE FLAT POSITION, LIFT UPWARDS AT THE END OF THE BED AND ALLOW THE METAL LEG TO SWING OUTWARDS, ENSURE THAT THE LEG HAS FULLY LOCKED (Image 6). IT IS RECOMMENDED THAT CHILDREN DO NOT ATTEMPT TO OPERATE THE METAL LEG MECHANISM.

