

Hollywood TV Bed Frame

Assembly Instructions - Please keep for future reference

656/5075

656/5082

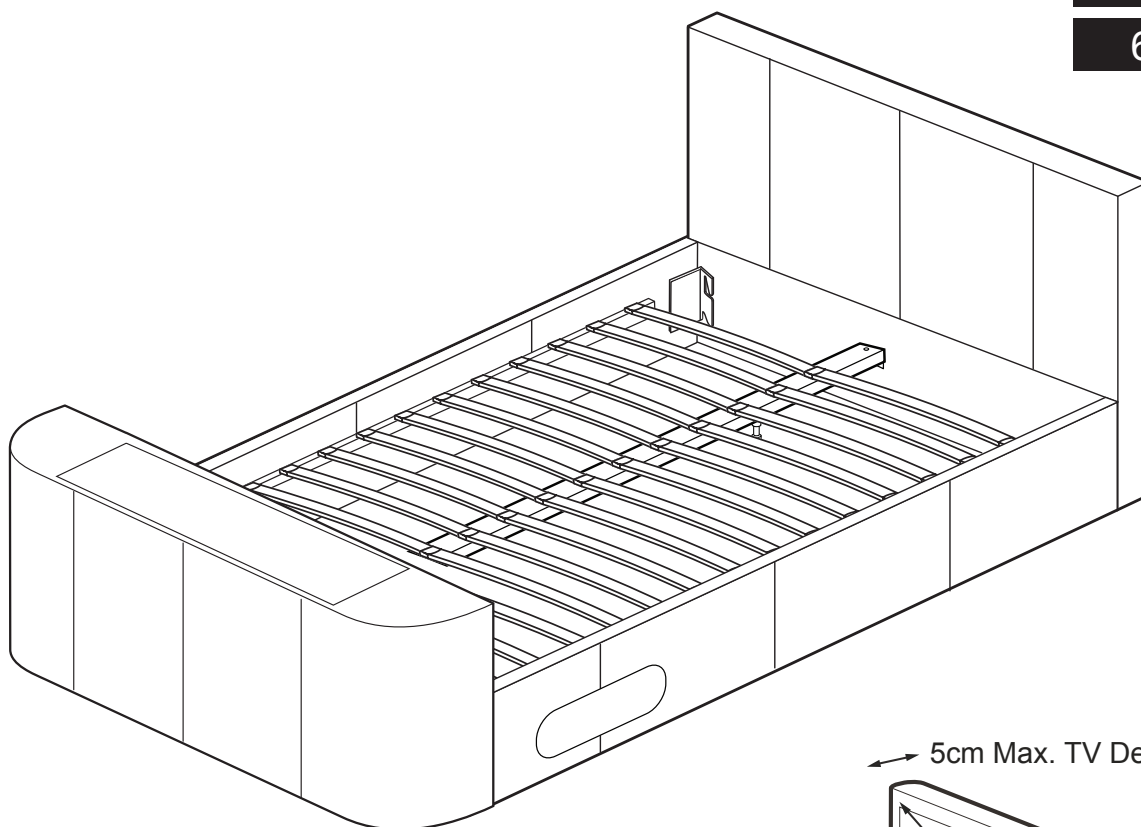
656/8560

656/8577

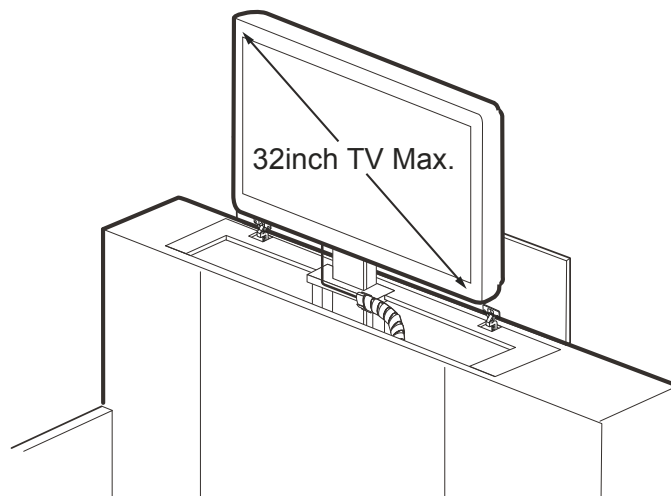
656/8553

656/8584

656/5099



← 5cm Max. TV Depth



Dimensions

Width x Depth x Height

228cm x 147cm x 76/102cm (Double)

238cm x 160cm x 76/102cm (King)

236cm x 192cm x 76/102cm (Super King)

Important - Please read these instructions fully before starting assembly

If you need help or have damaged or missing parts, call the **Customer Helpline: 01992 450333**



Safety and Care Advice

Important – Please read these instructions fully before starting assembly

- Check you have all the components and tools listed on pages 2 and 3.
- Remove all fittings from the plastic bags and separate them into their groups.
- Keep children and animals away from the work area, small parts could choke if swallowed.
- Make sure you have enough space to layout the parts before starting.

- Assemble the item as close to its final position (in the same room) as possible.
- Assemble on a soft level surface to avoid damaging the unit or your floor.
- Assembly requires 2 people.
- Do not fully tighten bolts until the whole bed is assembled. Do not overtighten the nuts to avoid causing damage to the threads.



- We do not recommend the use of power drill/drivers **for inserting bolts and screws**, as this could damage the unit. Only use hand screwdrivers and Allen keys.
- Dispose of all packaging carefully and responsibly.

Care and maintenance

- Only clean using a damp cloth and mild detergent, do not use bleach or abrasive cleaners.
- From time to time check that there are no loose bolts or screws on this unit
- This product should not be discarded with household waste. Take to your local authority waste disposal centre.

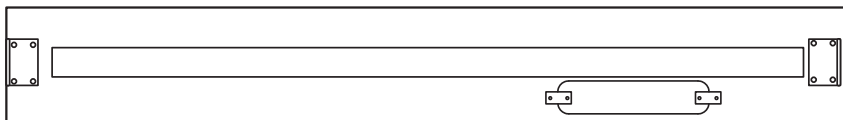
Note: if required the next page can be cut out and used as reference throughout the assembly. Keep this page with these instructions for future reference.

Components

If you have damaged or missing components, call the **Customer Helpline: 01992 450333**

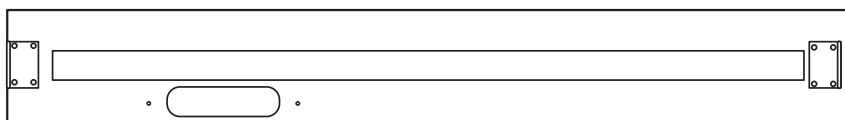
Please check you have all the parts listed below

Headboard end

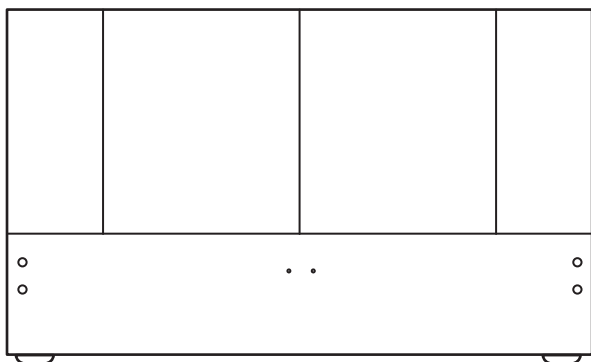


1 Right side rail

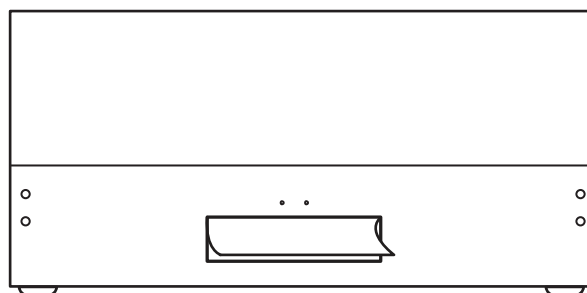
Headboard end



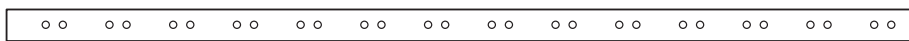
2 Left side rail



3 Headboard



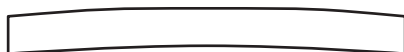
4 Footboard



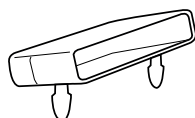
5 Central support rail



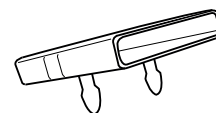
6 Centre Rail Feet x 2



7 Slats
 x 26 (Double)
 x 28 (King & S-King)



8 End slat caps
 x 26 (Double)
 x 28 (King & S-King)



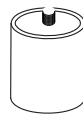
9 Central slat caps
 x 13 (Double)
 x 14 (King & S-King)

Components and Fittings

Please check you have all the parts listed below



10 DVD Tray



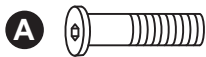
11 DVD Tray Feet x 2



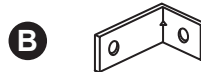
12 Cable Tidy

Please check you have all the fittings listed below

Note: The quantities below are the correct amount to complete the assembly. In some cases more fittings may be supplied than are required.



18mm M8 Bolt x 8



L-Shaped Bracket x 2



Flat washer (M8) x 12



20mm M8 Bolt x 6



Central Support Bracket x 2



45mm M8 Bolt x 2



30mm M8 Bolt x 4

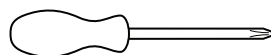


12mm M6 Bolt x 4

Tools required



Allen key x 1
(supplied)

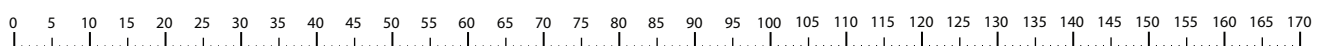


Phillips Screwdriver
(not supplied)



Spanner x 1
(not supplied)

Ruler - Use this ruler to help correctly identify the screws



Assembly Instructions

Step 1

Attaching side rails

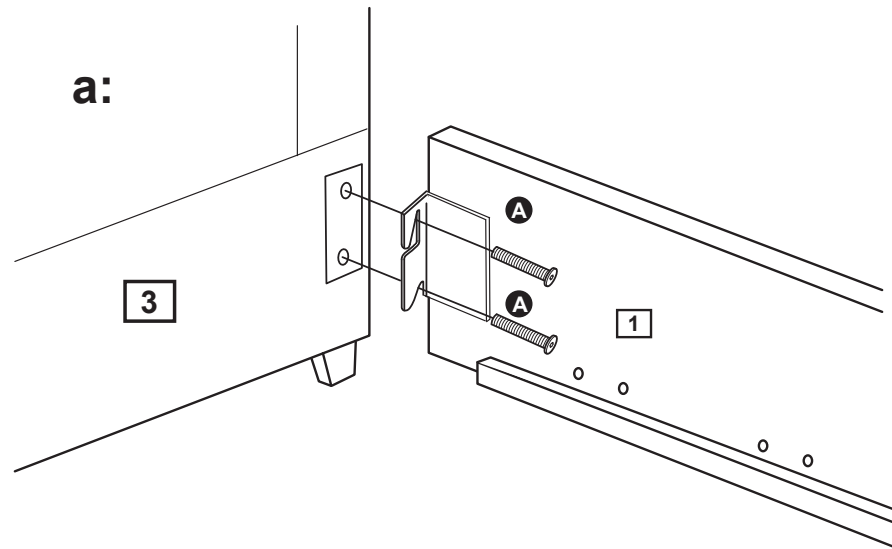
a: Attaching side rails

Loosely attach 2 screws **A** to the headboard **3**. Hook over the side rail **1** onto the bolts then securely tighten.

Do NOT over tighten

Repeat for opposite side of headboard using rail **2**.

Repeat this step for the footboard **b**:

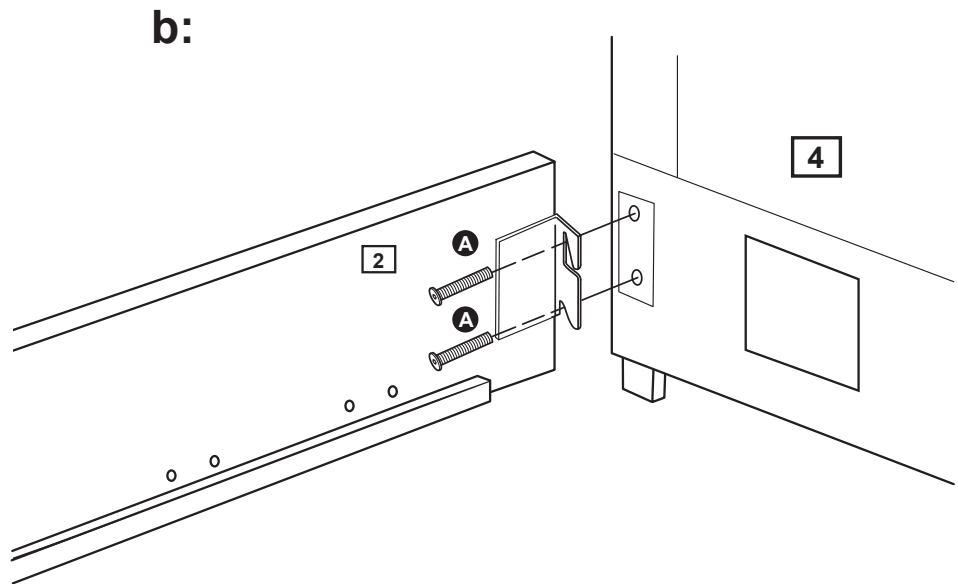


b: Attaching side rails

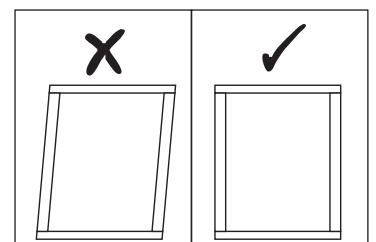
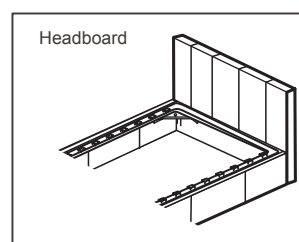
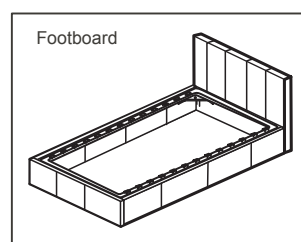
Loosely attach 2 screws **A** to the footboard **4**. Hook over the side rail **1** onto the bolts then securely tighten.

Do NOT over tighten

Repeat for opposite side of footboard using rail **2**.



Note: Ensure that footboard, headboard and side rails are square.

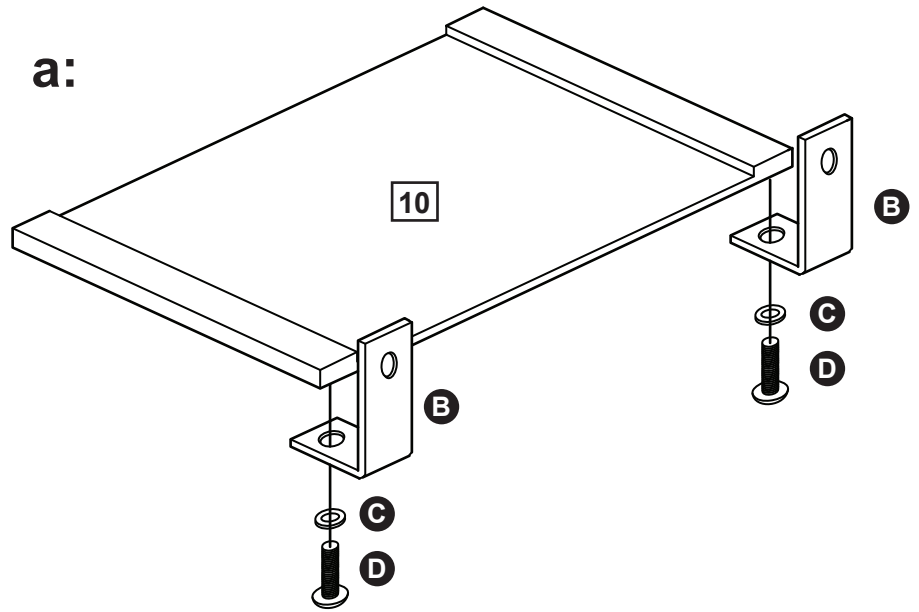


Assembly Instructions

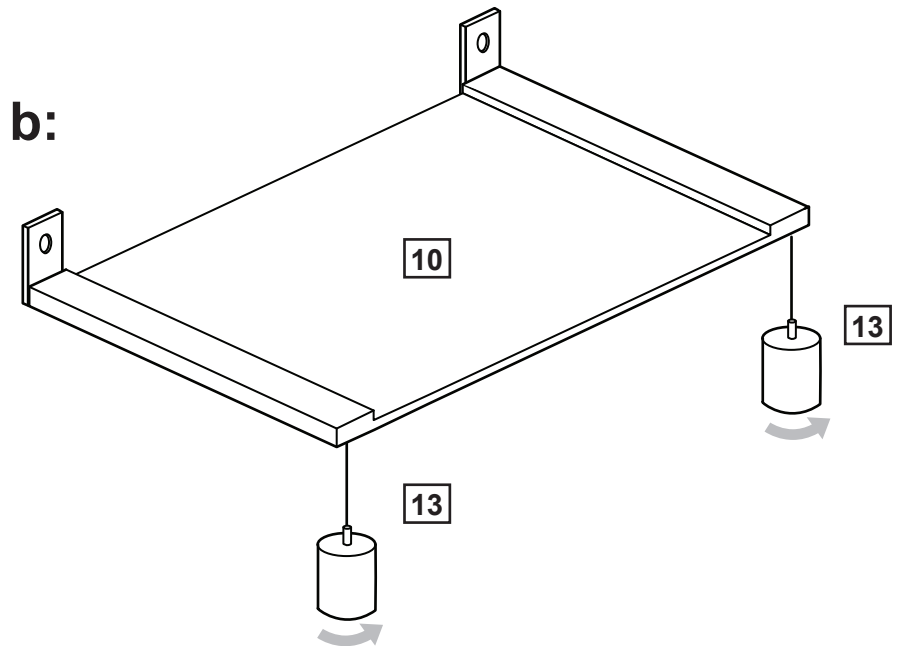
Step 3

DVD Tray Assembly

a: Attach the L-Shaped Brackets **B** to the underside of the DVD tray **10** using bolt **D** and washer **C** as shown.

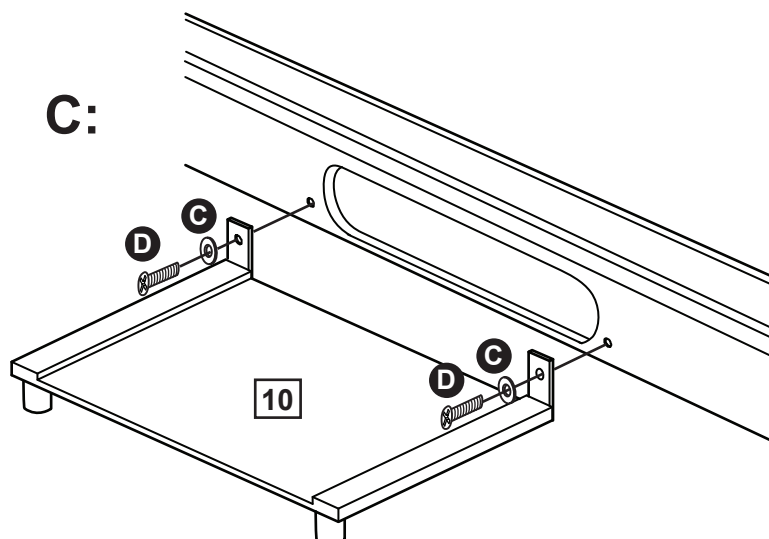


b: Screw the 2 DVD Tray Feet **13** into position on the other side of the DVD Tray **10**.



c: Attach the assembled DVD Tray **10** to the side rail of your choice using bolts **D** and washers **C** as shown.

Insert the blanking plate on to the other side rail where you have not installed the DVD tray.



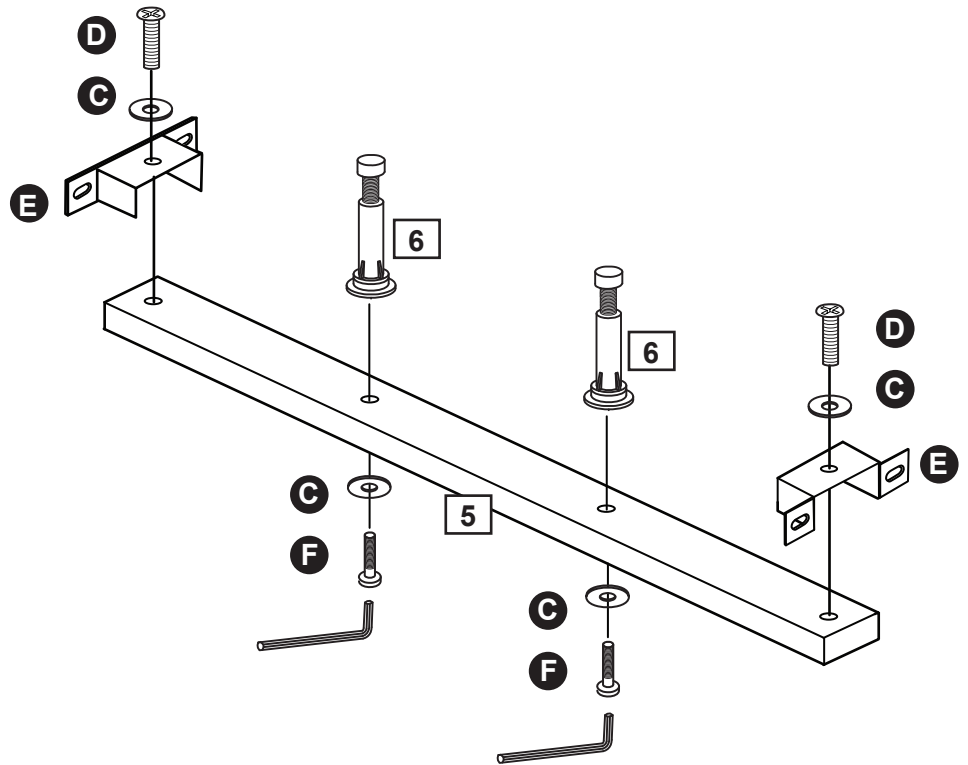
Assembly Instructions

Step 4

Central Support Assembly

Attach the Central Support Brackets **E** to each end of the Central Support Rail **5** using bolt **D** and washer **C**.

Insert the Feet **6** into the holes on the Central Support Rail **5** and secure using bolt **F** and washer **C**.



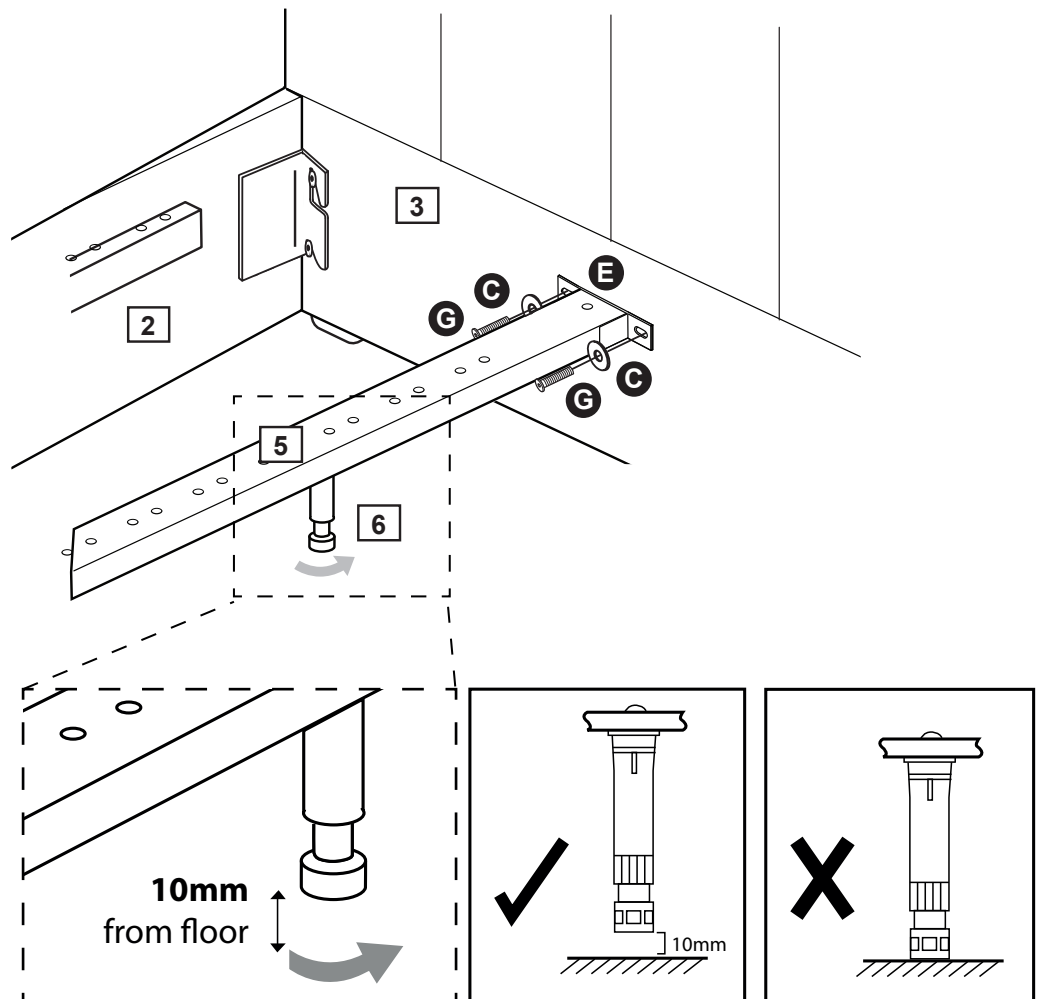
Step 5

Attach Central Support

Attach the assembled central support section **5** to the headboard, **3** using bolts **G** and washers **C** as shown.

Repeat at the footboard end.

Adjust the feet **6** so there is a 10mm gap between the floor and the foot.



CAUTION: Do not attempt to move the bed once the centre support is fitted as this could cause damage.

Fitting the TV

Attaching television

To raise the tv bracket for tv installation, whilst one person firmly holds the handle in position, cut the two string ties located on the lower part of the bracket. Take extra care when cutting the ties as the mechanism will automatically start to rise upwards. Carefully raise the bracket to its highest position.

You will need a second person to help hold the tv. Attach the tv using four screws **H** as shown.

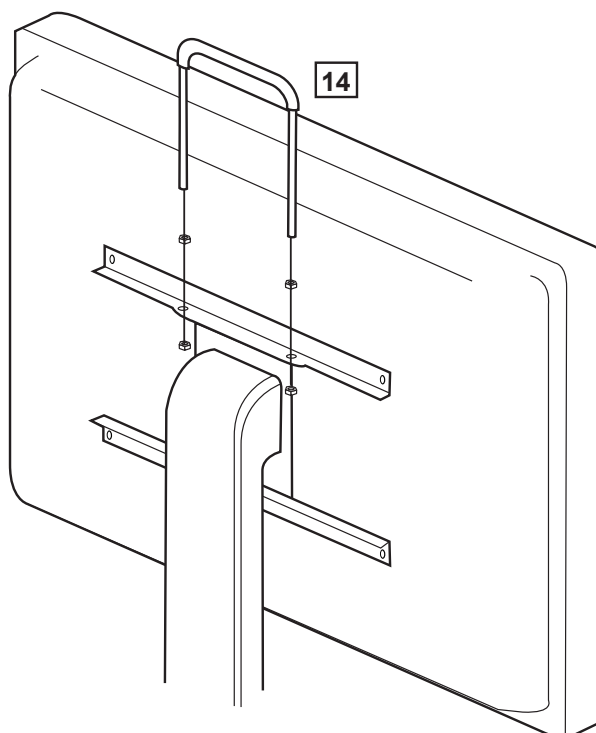
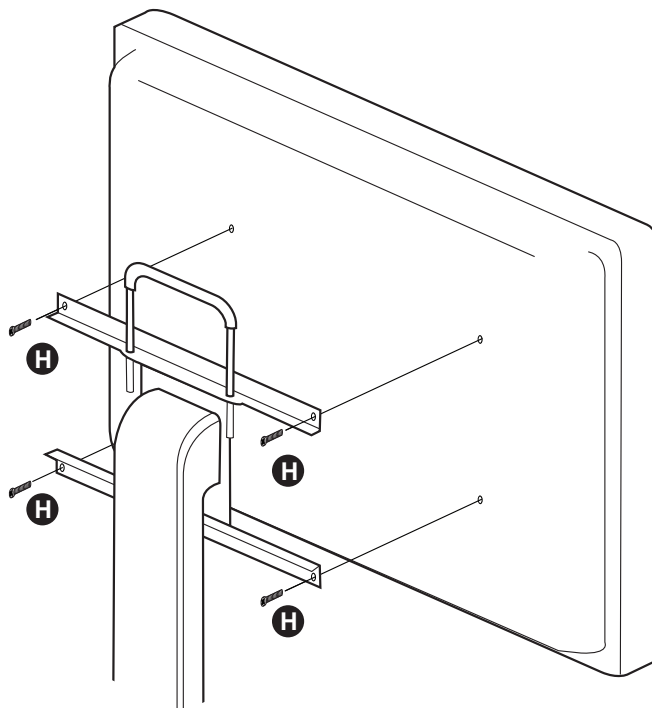
Please note:

A shock absorber placed in the last quarter of the lifting mechanism means it can be stiff to push down. This is in place to protect the television and prevent damage.

Depending on the size of tv you install, you may wish to change the handle with the longer replacement handle **14**.

To change handles, loosen the nuts on the handle stem located either side of the bracket using a spanner. Swap the handle over, and retighten the nuts.

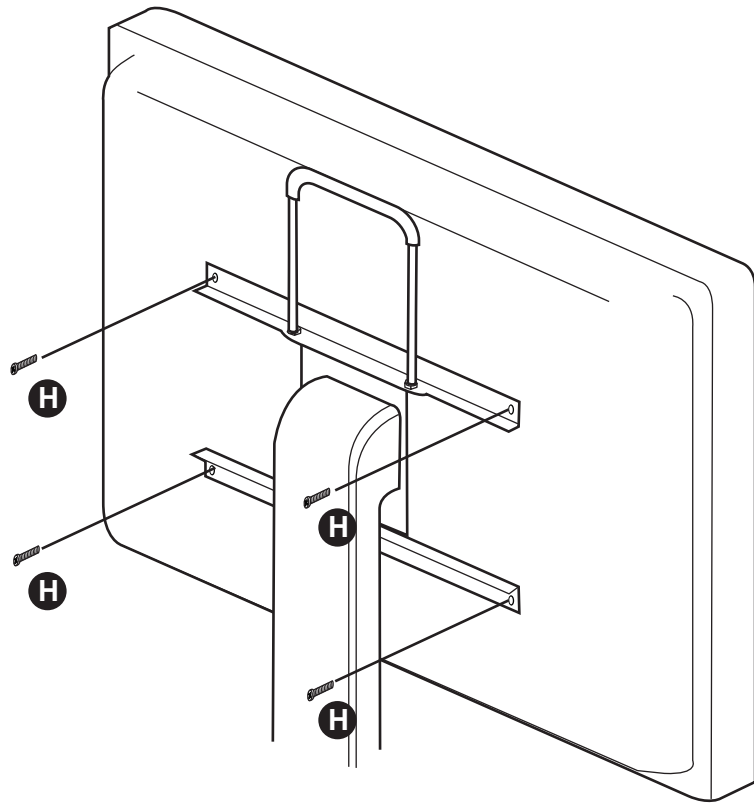
Please contact 01992 450333 or visit www.sleepsecrets.co.uk for assistance with the mechanism or trouble shooting guides.



Fitting the TV

Adjusting television

Should you want to adjust the position of the television on the bracket, remove the television by unscrewing the four screws **H** as shown.

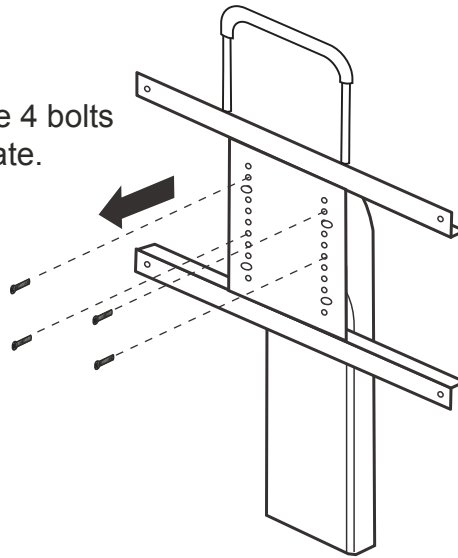


Adjusting TV Bracket

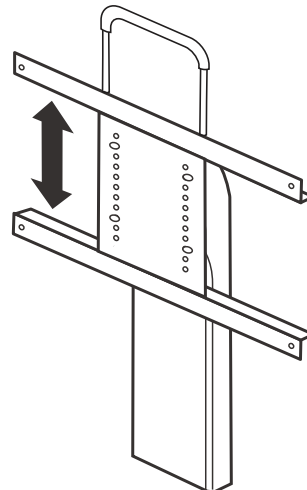
Should you need to adjust the position of the TV bracket to best fit your TV, Follow these steps:

1. Remove the 4 bolts on the front plate as shown.
2. Move the bracket up or down as required.
3. Reattach 4 screws onto front plate. Attach television as shown in previous step.

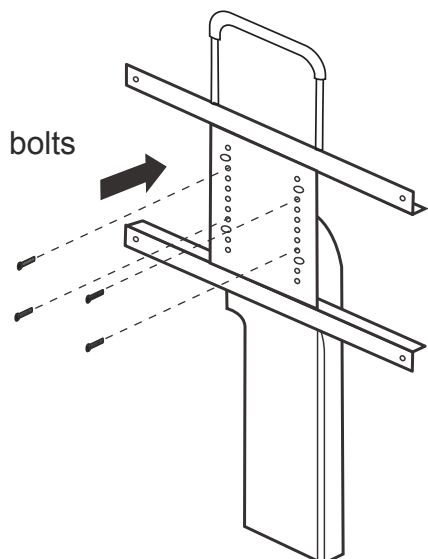
Remove 4 bolts from plate.



Adjust height of brackets



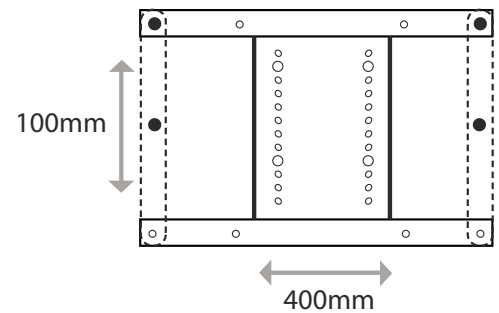
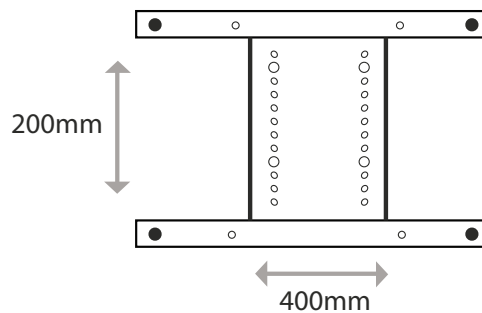
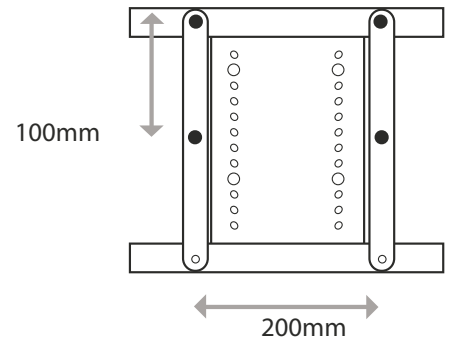
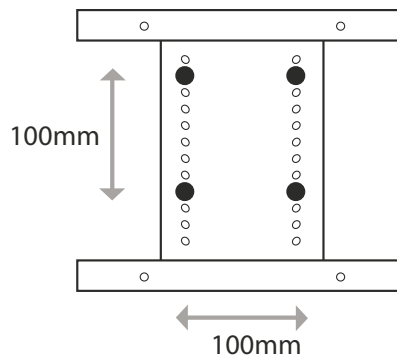
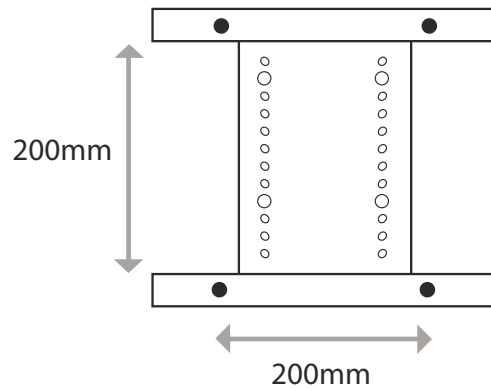
Reattach 4 bolts to plate.



VESA TV Bracket

The position of the mounting holes your TV use will vary depending on the make and model.

The TV bed has a universal fitting and can accommodate TVs with the following standard VESA compliant sizes.

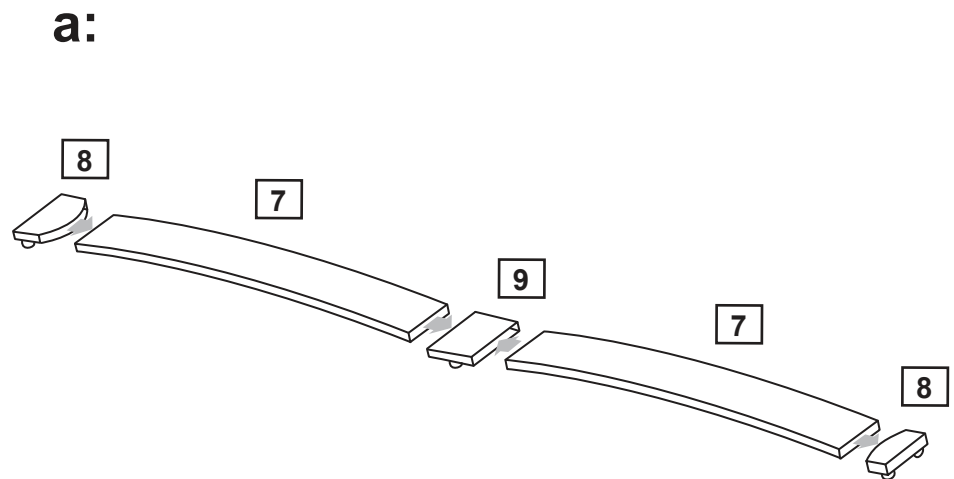


Assembly Instructions

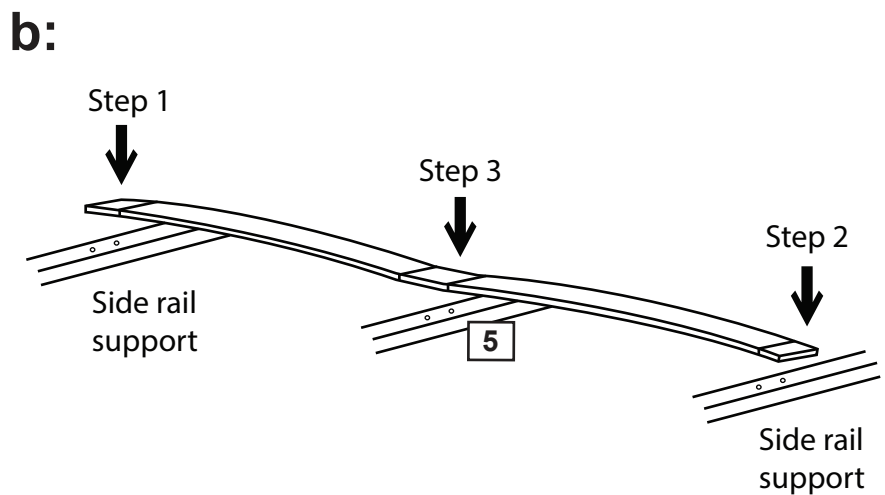
Step 6

Place slats

a: Slot the bed slats **7** into the end slat caps **8** and central slat caps **9** as shown.



b: Attach the slats to the side rails **1** & **2** and central support rail **5** by firmly pushing into place.



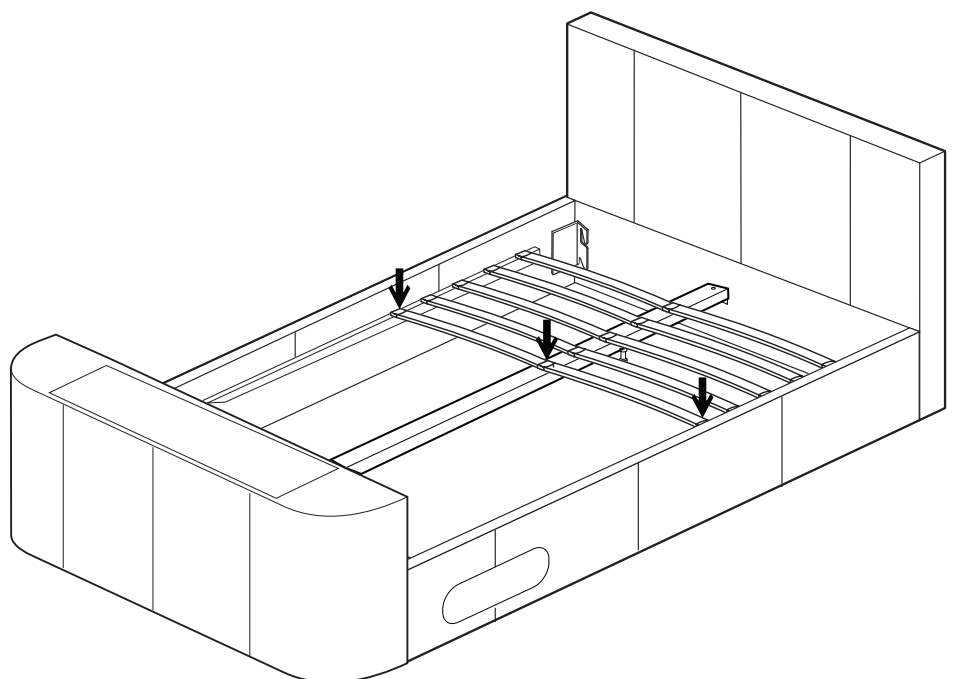
UK Patent Application
No. 1001086.6

The Following EU Design
Registration Numbers
May Apply:

001186100-0001
001186100-0002
001186100-0003
001186100-0004

© 2010 Ventura
Corporation Ltd. All
Rights Reserved.

Contents may vary to
those shown.



Assembly is now complete