

# Kensal TV Bed

Assembly Instructions - Please keep for future reference

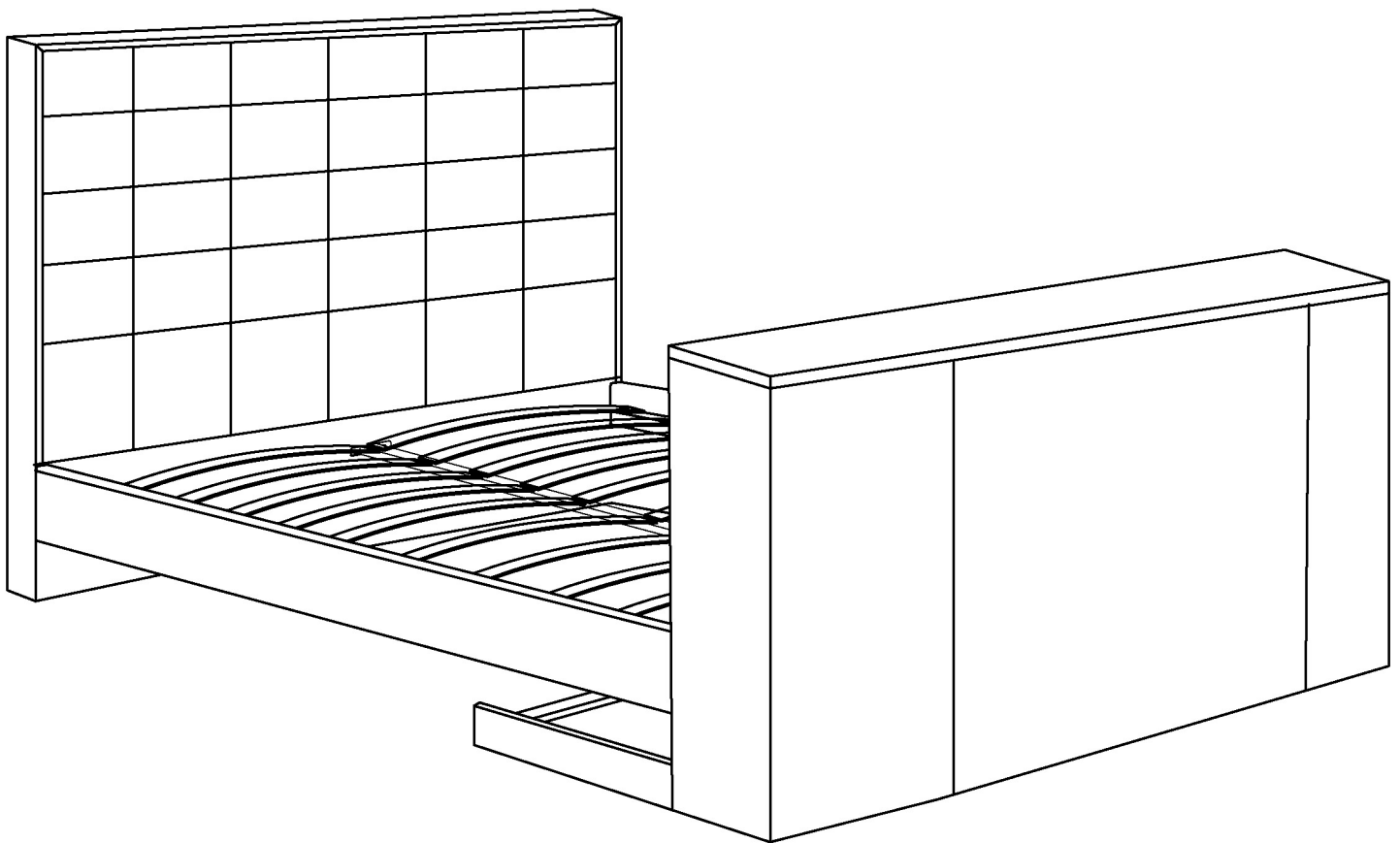
672/4476

673/6794

684/5441

686/8301

**hygena**



## Dimensions

Width x Depth x Height

221cm x 126cm x 88/109cm (Small Double)

221cm x 144.5cm x 88/109cm (Double)

231cm x 159cm x 88/109cm (King)

231cm x 189cm x 88/109cm (Super King)

**Important - Please read these instructions fully before starting assembly**

If you need help or have damaged or missing parts, call the Customer Helpline:  
Argos = 0345 6400800



# Safety and Care Advice

**Important – Please read these instructions fully before starting assembly**

- Check you have all the components and tools listed on the following pages.
- Remove all fittings from the plastic bags and separate them into their groups.
- Keep children and animals away from the work area, small parts could choke if swallowed.
- Make sure you have enough space to layout the parts before starting.

- During assembly do not stand or put weight on the product, this could cause damage.
- Assemble the item as close to its final position (in the same room) as possible.
- Assemble on a soft level surface to avoid damaging the unit or your floor.
- Parts of the assembly will be easier with 2 people.



- To reduce the likelihood of damaging your product please ensure that your power drill is set on a low torque setting.

## Care and maintenance

- Only clean using a damp cloth and mild detergent, do not use bleach or abrasive cleaners.
- From time to time check that there are no loose bolts or screws on this unit
- This product should not be discarded with household waste. Take to your local authority waste disposal centre.

## Handy Hints

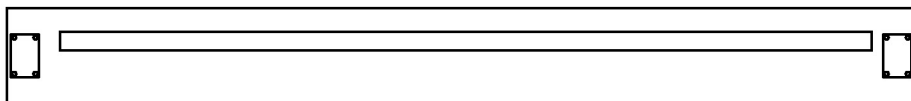
- Assemble all parts and bolts loosely during assembly, only once the product is complete should you fully tighten the bolts.
- Regularly check and ensure that all bolts and fittings are tightened properly.
- 42 inches is the maximum dimension of the TV suitable for this TV bed and thickness is 9cm.

**Note:** if required the next page can be cut out and used as reference throughout the assembly. Keep this page with these instructions for future reference.

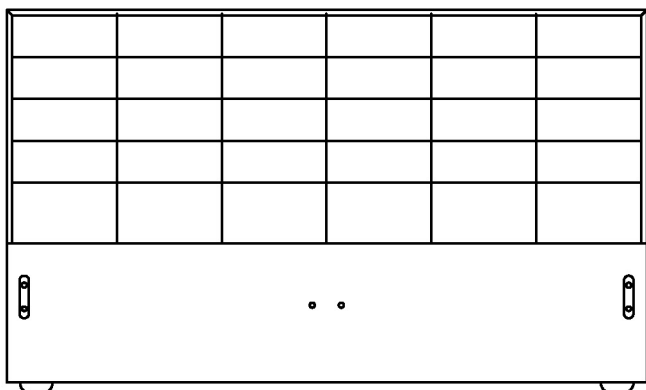
# Components

If you have damaged or missing components, call the Customer Helpline: Argos = 0345 6400800

Please check you have all the parts listed below



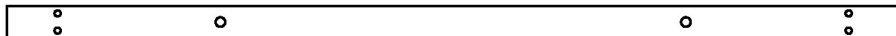
1 Side rails x 2



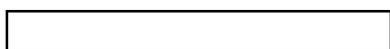
2 Headboard



3 Footboard



4 Central support rail



5 Slats x 26 (small double & double)  
or x 28 (king & s-king)



6 DVD Tray

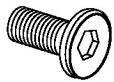


# Components - Fittings

Please check you have all the parts listed below

**Note:** The quantities below are the correct amount to complete the assembly. In some cases more fittings may be supplied than are required.

**A** M8 Bolt (18mm) - 8 Pcs



**B** M5 Allen key - 1Pc



**C** M8 Bolts (20mm) - 6 Pcs



**D** Flat Washer(M8)-8 Pcs



**E** M8 Bolts (40mm) - 2 Pcs



**F** M6 Plastic nut (13mm) - 8 Pcs



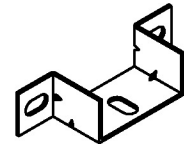
**G** M6 Bolts (35mm) - 4 Pcs



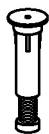
**H** M6 Bolts (40mm) - 4 Pcs



**I** Bracket - 2 Pcs



**J** Support legs - 2 Pcs



**Note:** Please know the below fittings are for TV set up.

**K** M8 Bolts (20mm) - 4 Pcs



**L** M6 Bolts (20mm) - 4 Pcs



**M** M5 Allen key -1 pc



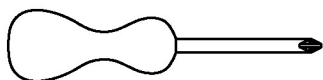
**N** M4 Allen key -1 pc



**O** M6 Bolts (20mm) - 4 Pcs

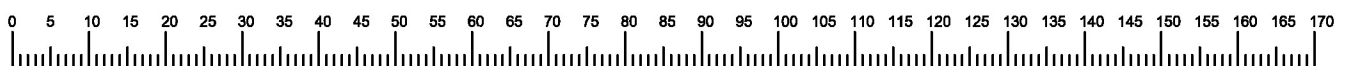


**Tools required**



Phillips screwdriver

**Ruler - Use this ruler to help correctly identify the screws**



# Assembly Instructions

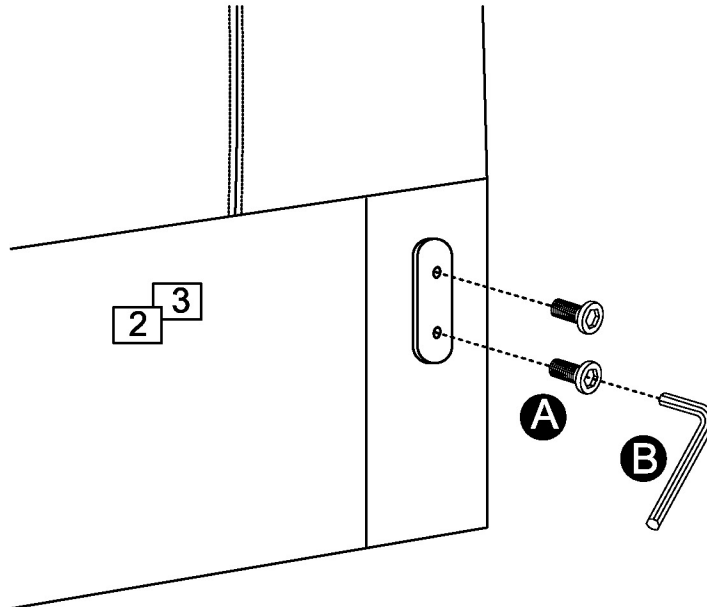
## Step 1

### Attaching side rails

a: Attach 2 bolts (A) to the headboard (2) and footboard (3) using the Allen key (B) provided.

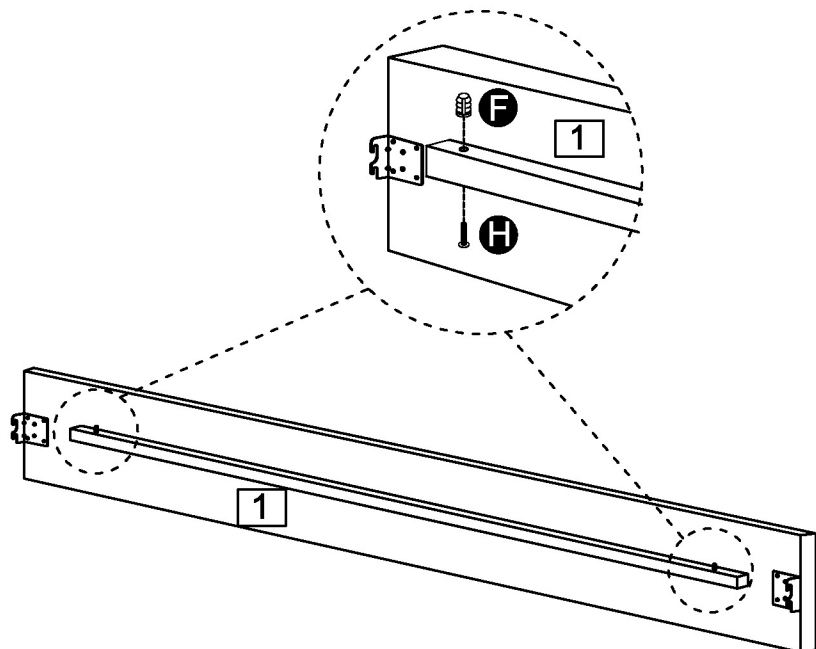
**Do not fully tighten at this stage.**

a:



b: Secure the plastic nuts (F) to the side rail (1) using bolt (H) as shown.

b:

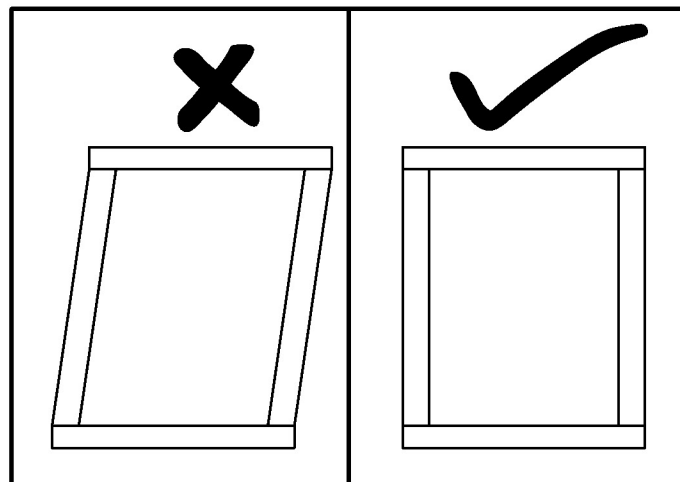
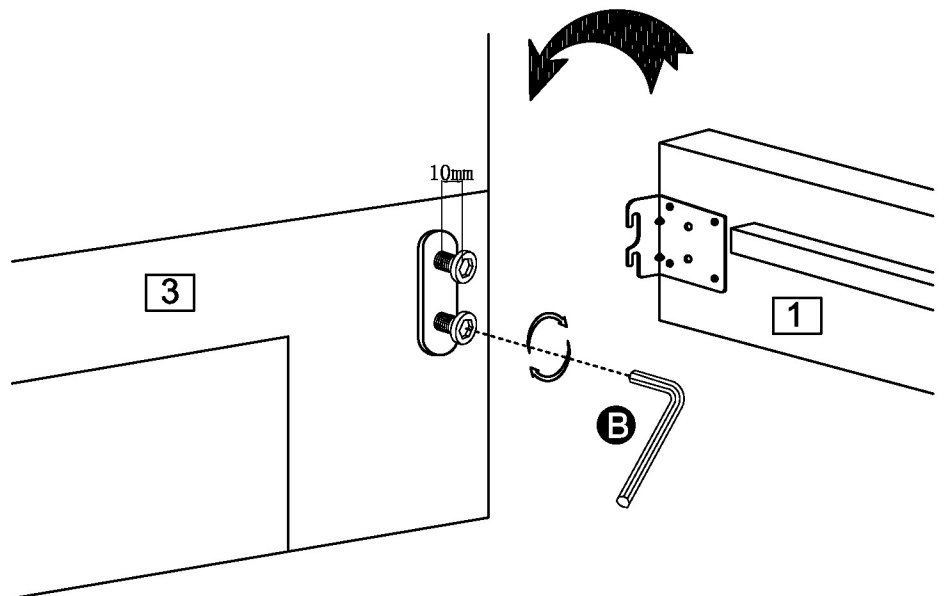
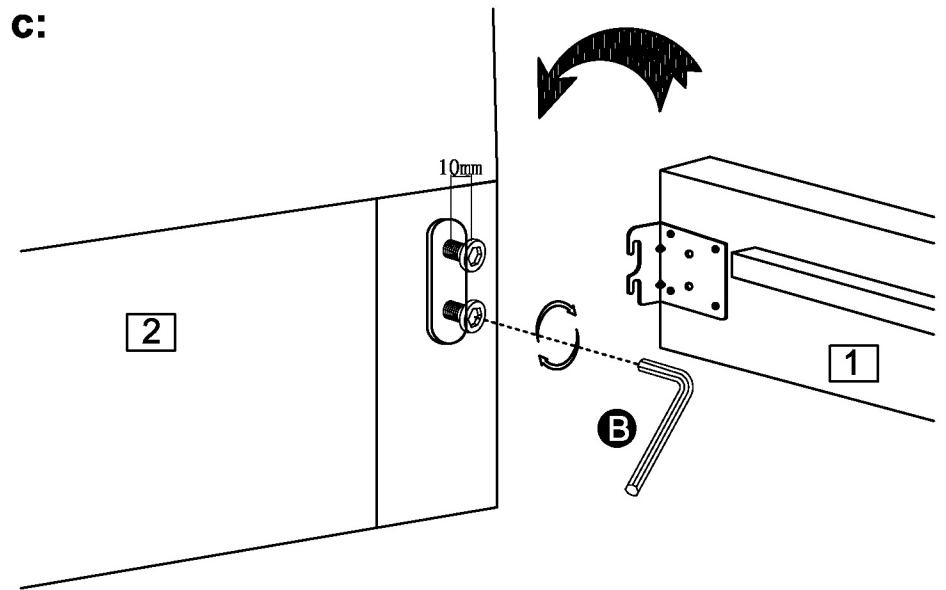


# Assembly Instructions

c: Position side rail **1** adjacent to headboard **2** & **3** so that the holes in the headboard line up with the bracket on the side rail.

Secure in place by 2 bolts **B** using the Allen key provided.

**Do not fully tighten at this stage.**



# Assembly Instructions

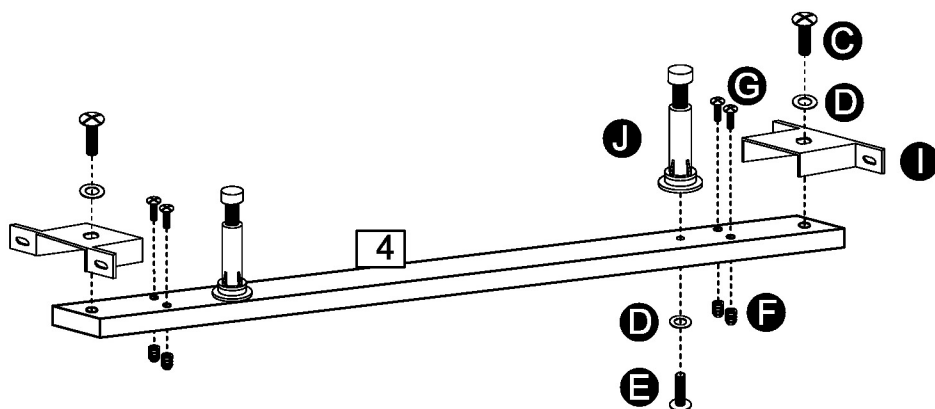
## Step 2

### Central support assembly

a: Secure the plastic nuts (F) to both sides central support using bolt (G) as shown.

b: Attach bolts (C) and washers (D) on the bracket (I) to the central support (4).

c: Insert the feet (J) into the holes on the central support rail and secure using bolts (E) and washers (D).

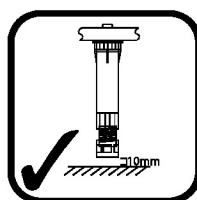
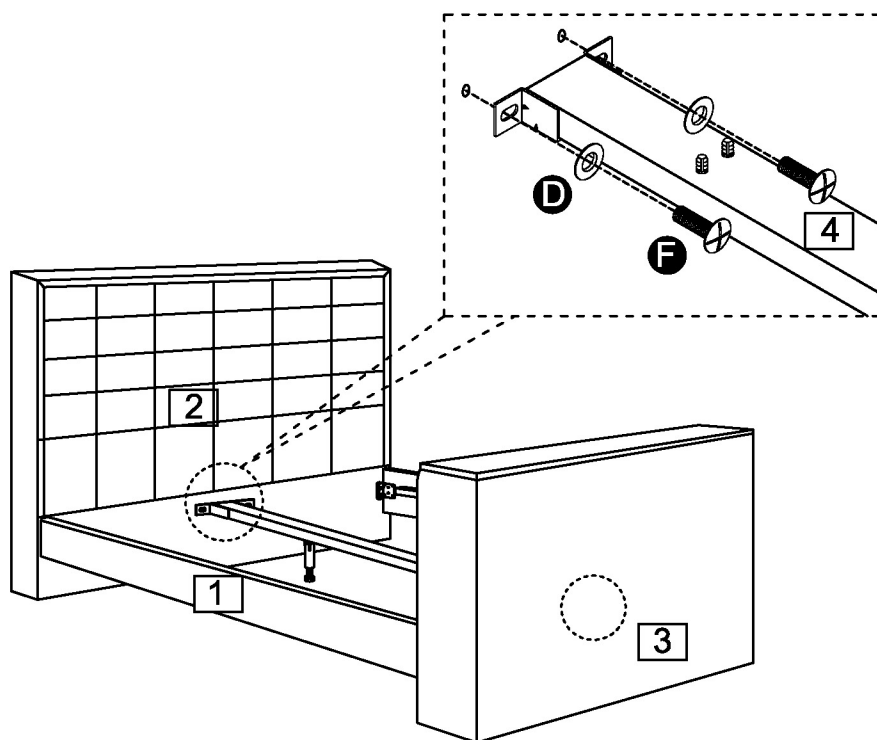


## Step 3

### Attach central support

Secure the central support rail (4) to the headboard (2) using bolt (F) and washer (D).

Repeat at the footboard.



## Warning

adjust the feet so that they are not in contact with the floor when the mattress is in place. There should be a 10mm (1/2 inch) gap.

# Assembly Instructions

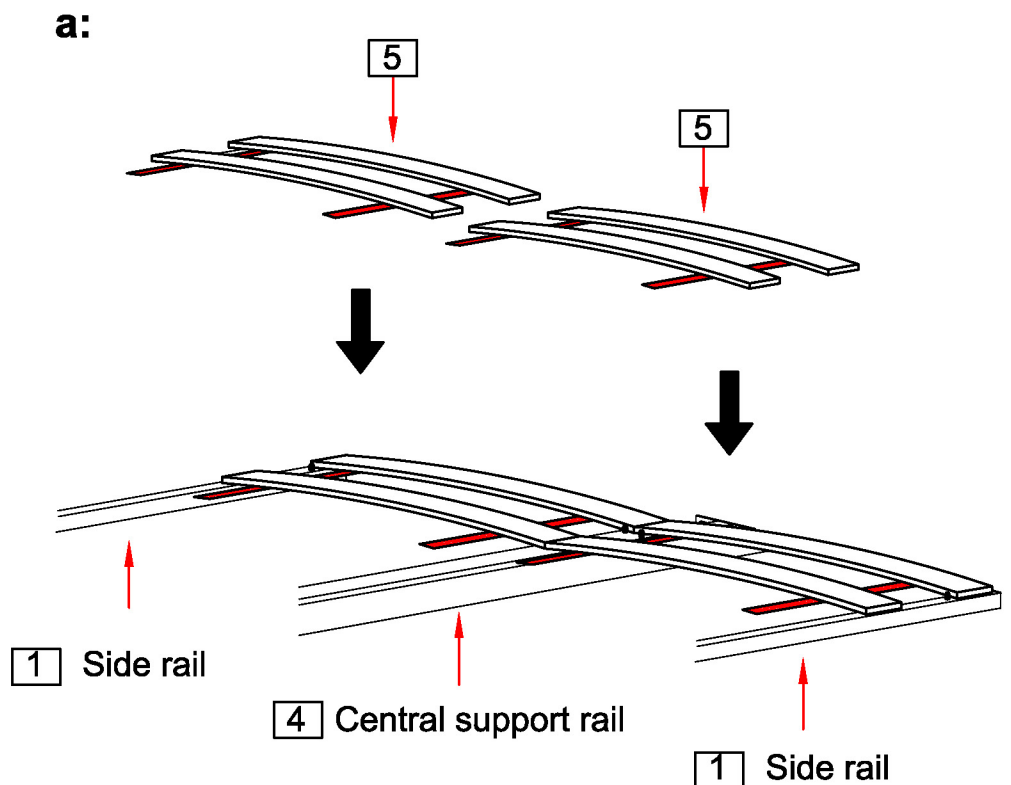
## Step 4

### Place slats

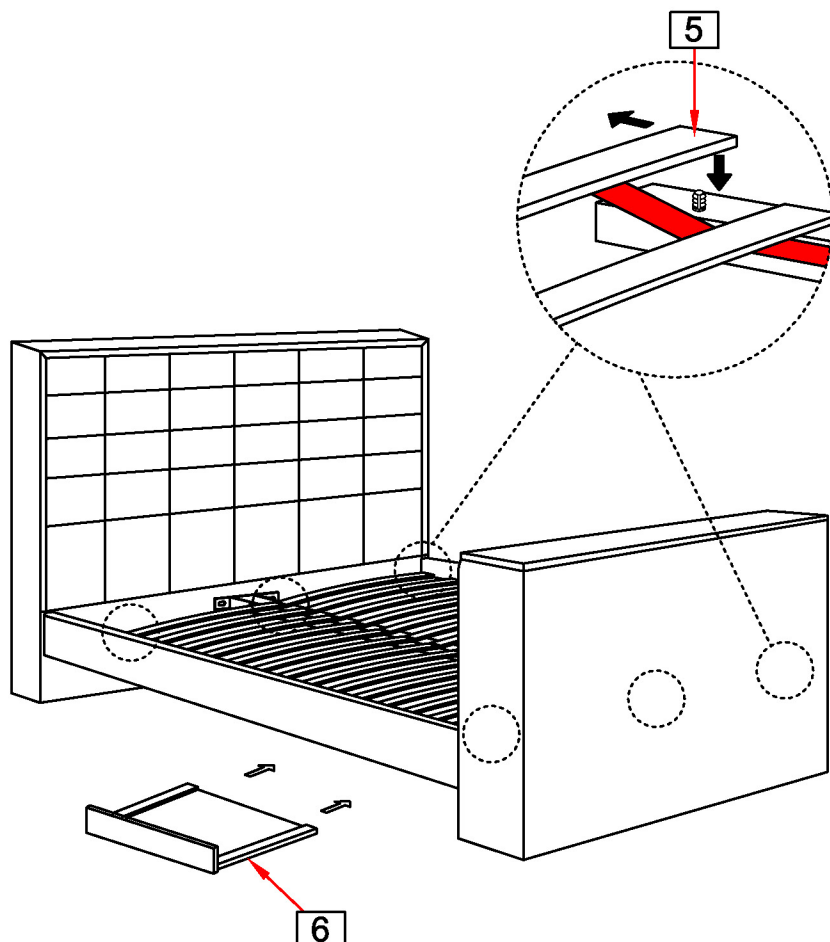
**a:** Place slats **5** at the end of the side rail **1** central support rail **4**. Use the plastic nut **F** as stopper.

**b:** Roll over the slat and attach to the front of the side rail **1** central support rail **4**. Use the plastic nut **F** as stopper.

**After all the parts are positioned you can now fully tighten all bolts fixed on previous steps.**



**b:**





# Assembly Instructions

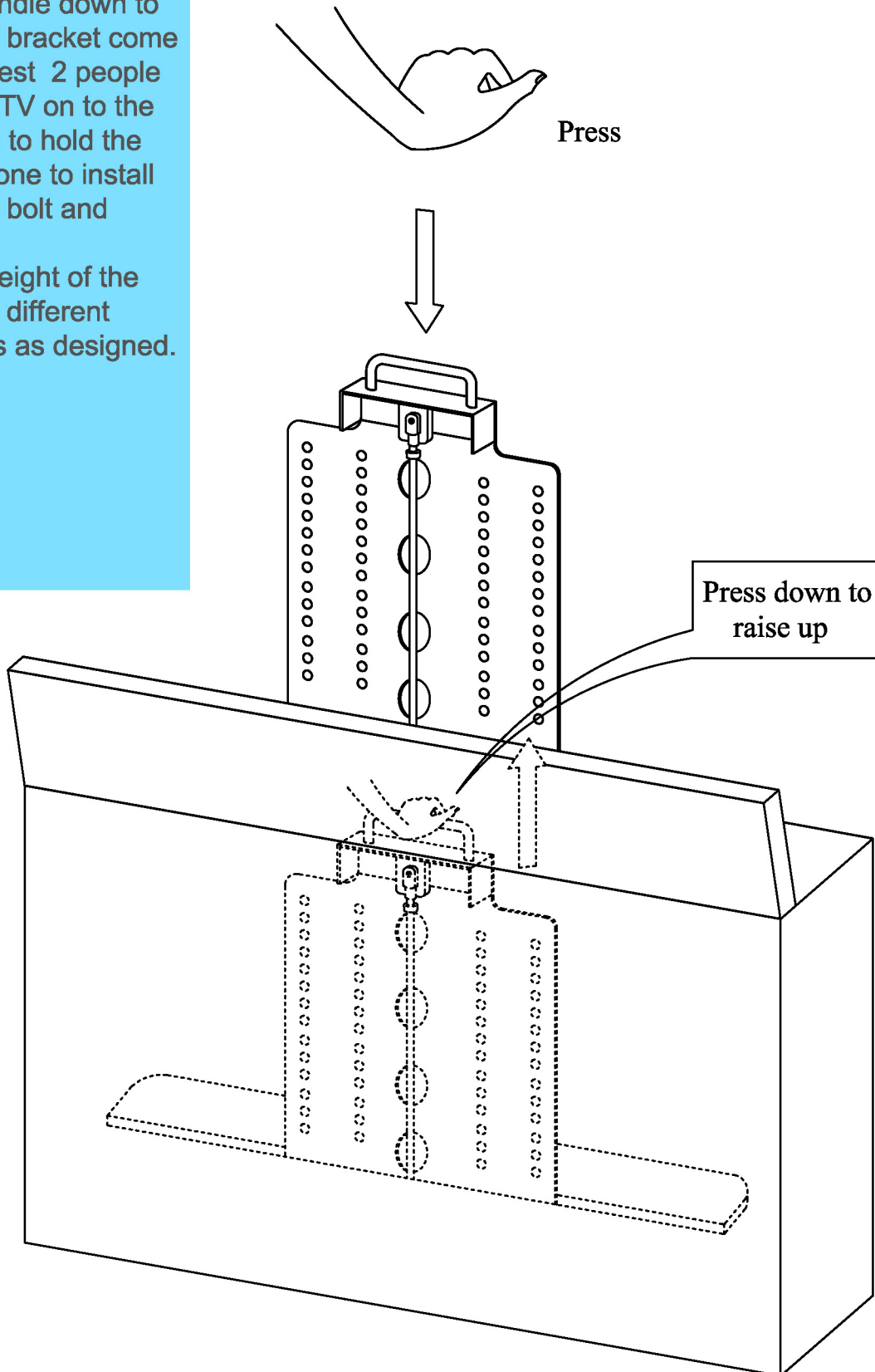
## Step 5

### Attaching TV

Press the handle down to make the TV bracket come up. We suggest 2 people to install the TV on to the bracket. One to hold the bracket and one to install the TV using bolt and washer.

Adjust the height of the TV using the different bracket holes as designed.

**a:**



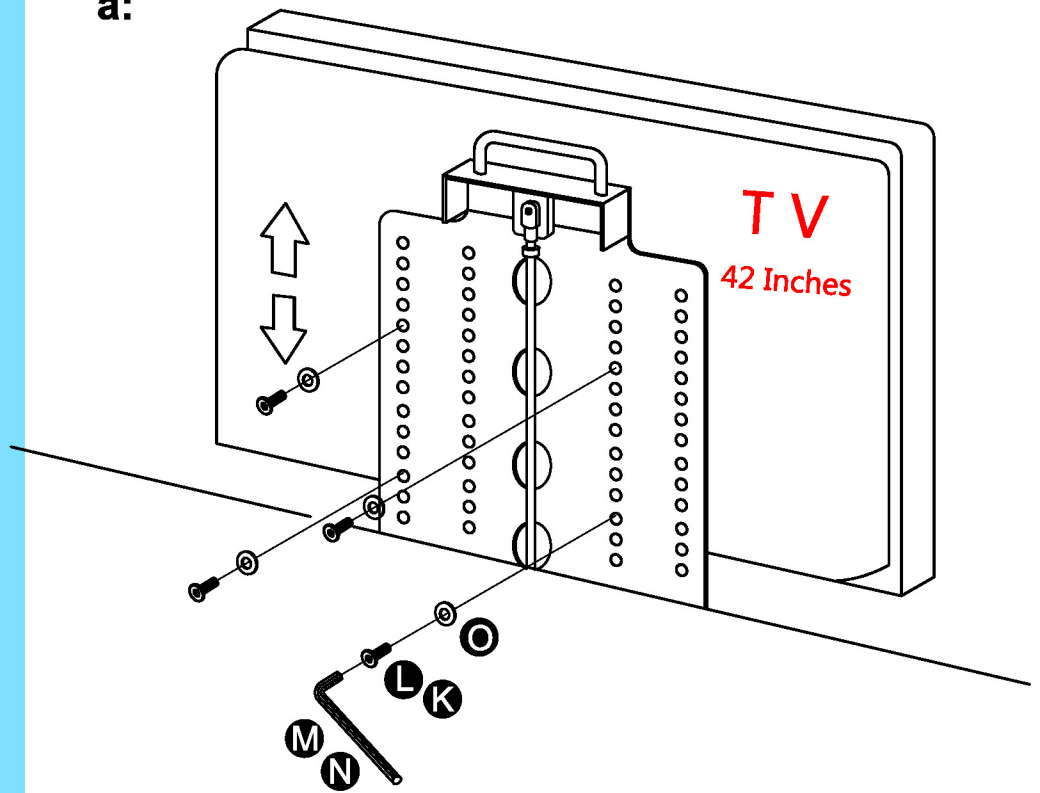
# Assembly Instructions

## Step 6

### Adjusting television

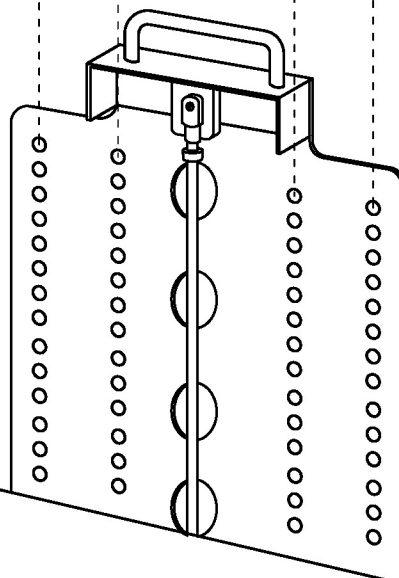
Should you want to adjust the position of the television on the bracket, remove the television by unscrewing the four bolts and four washer as shown.

a:



200mm

100mm



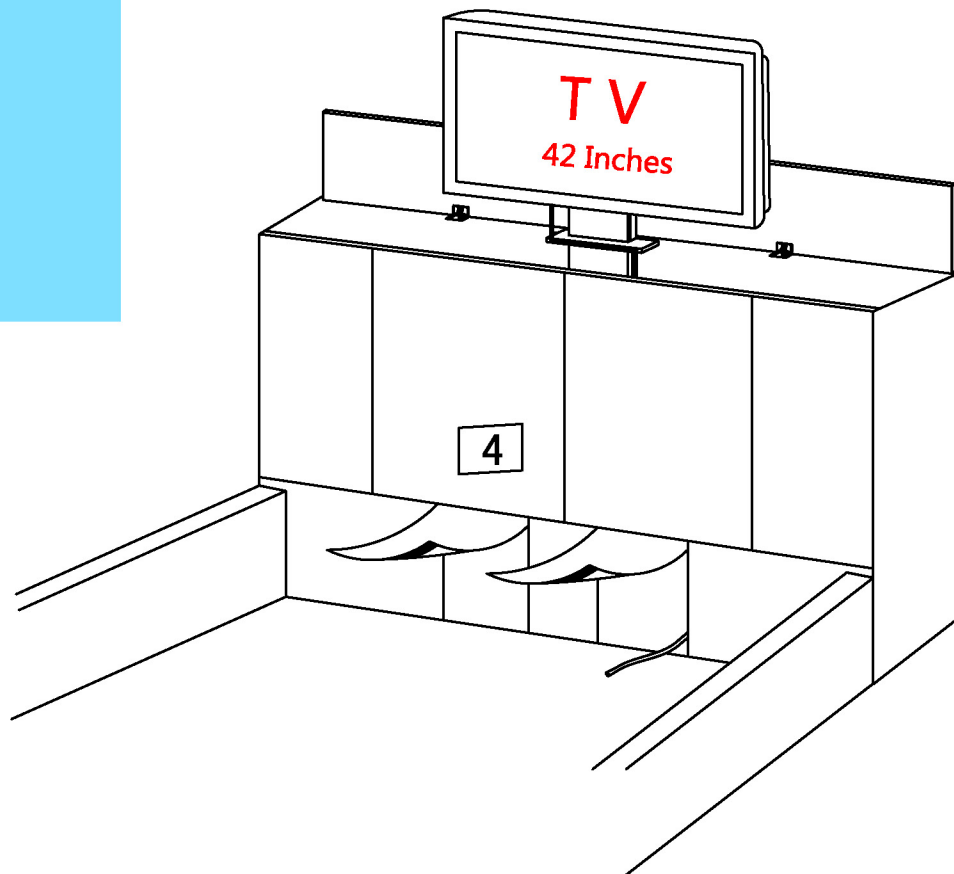
# Assembly Instructions

## Step 7

### Cabling

The cables of the TV should pass through the access holes at the bottom of the footboard **3** as shown (either the left or the right side depending on which side you have the DVD tray).

**Assembly is complete.**



If you need help or have damaged or missing parts, call the Customer Helpline:  
Argos = 0345 6400800