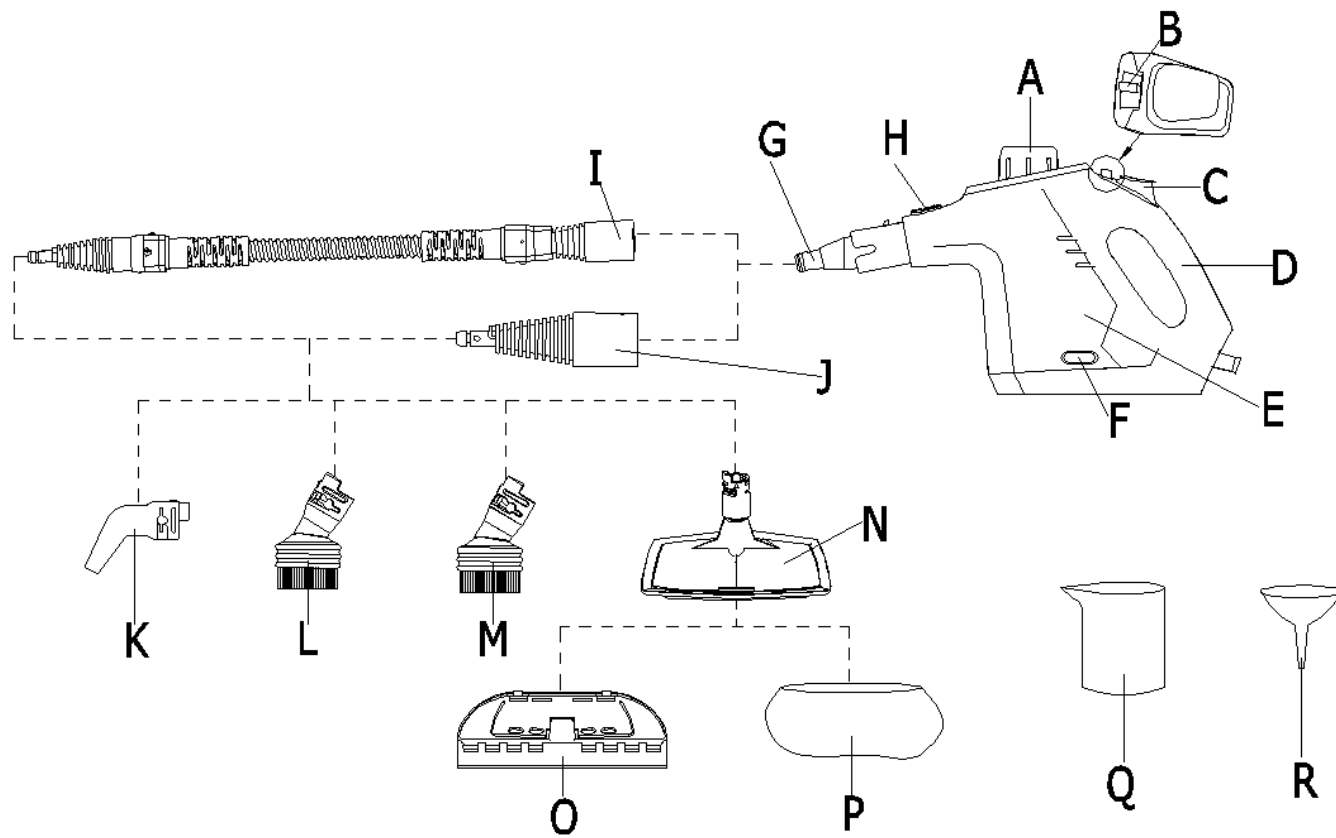
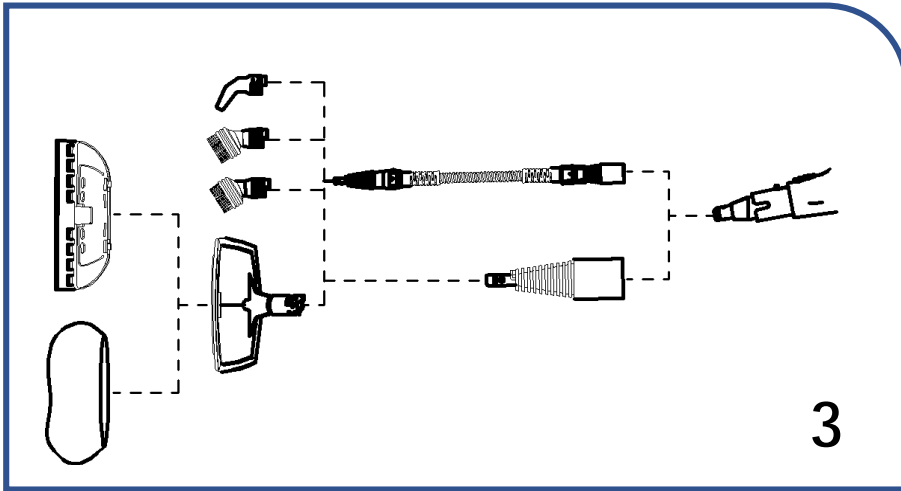
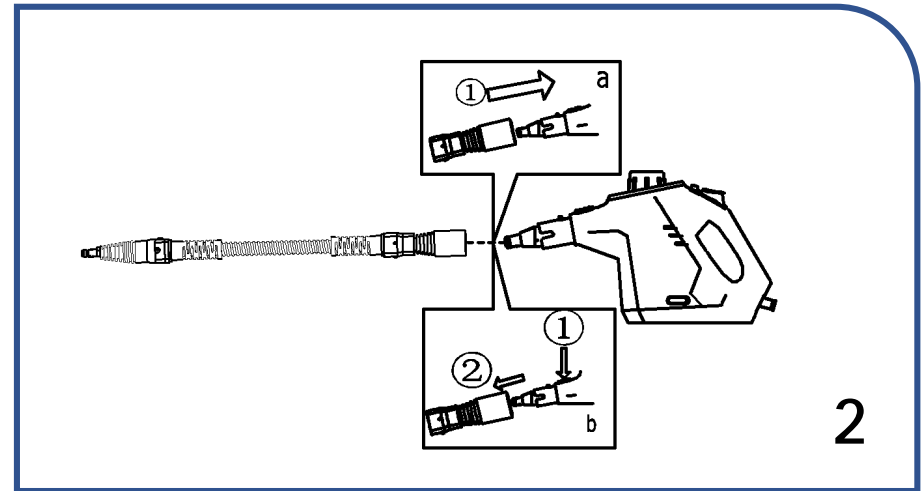
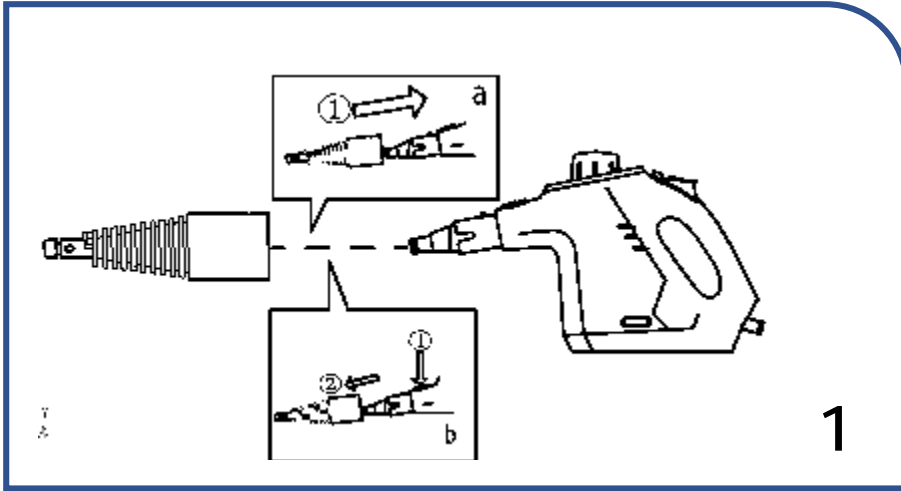


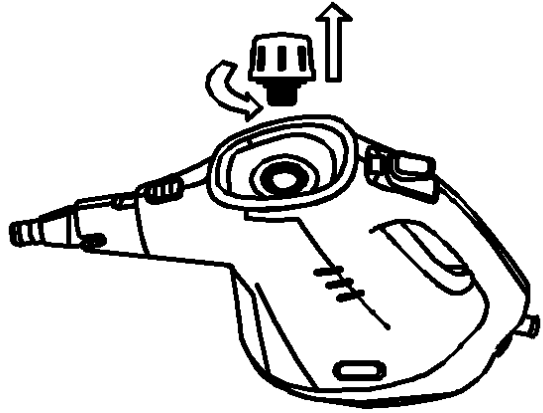


Steam cleaner

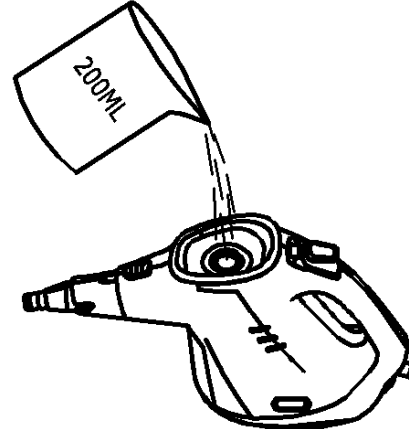
INSTRUCTIONS FOR USE



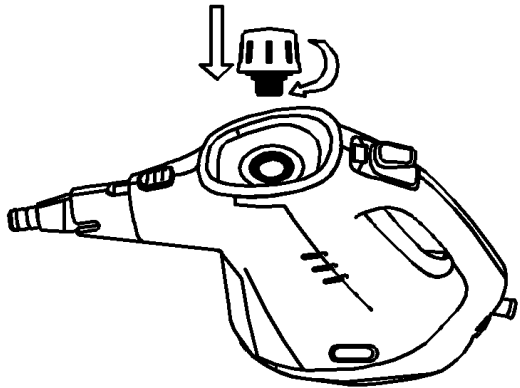




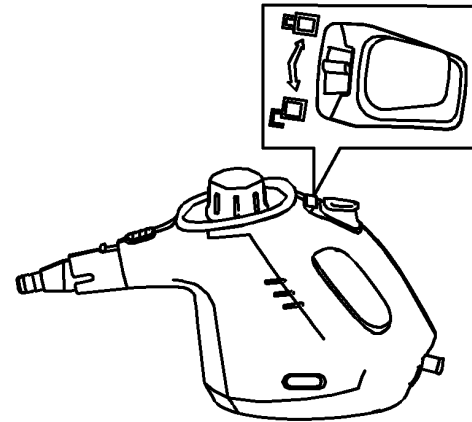
4



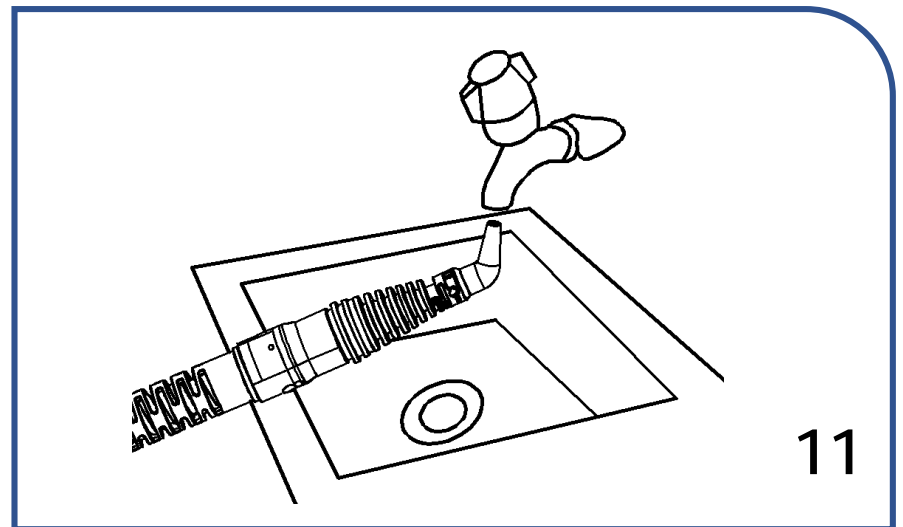
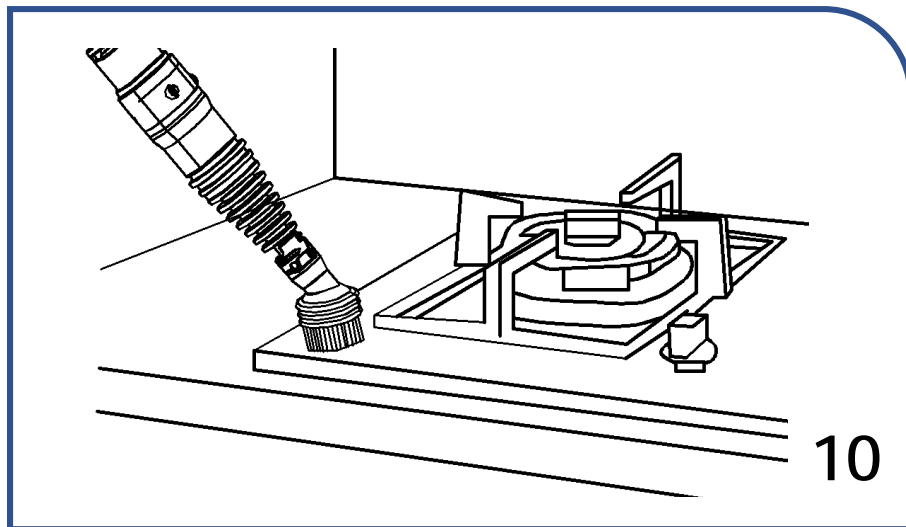
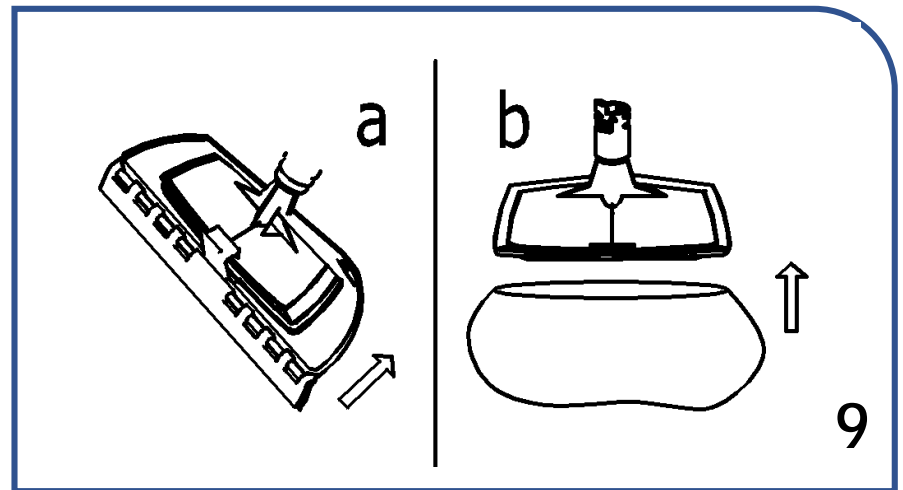
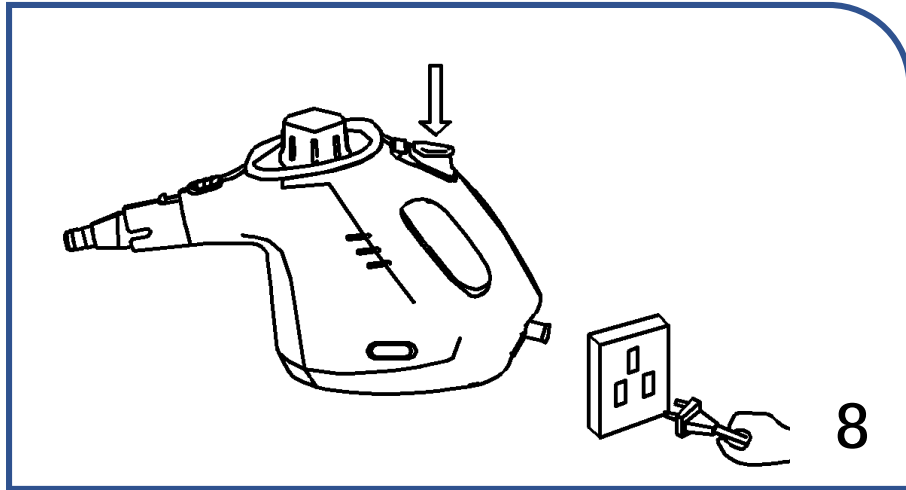
5

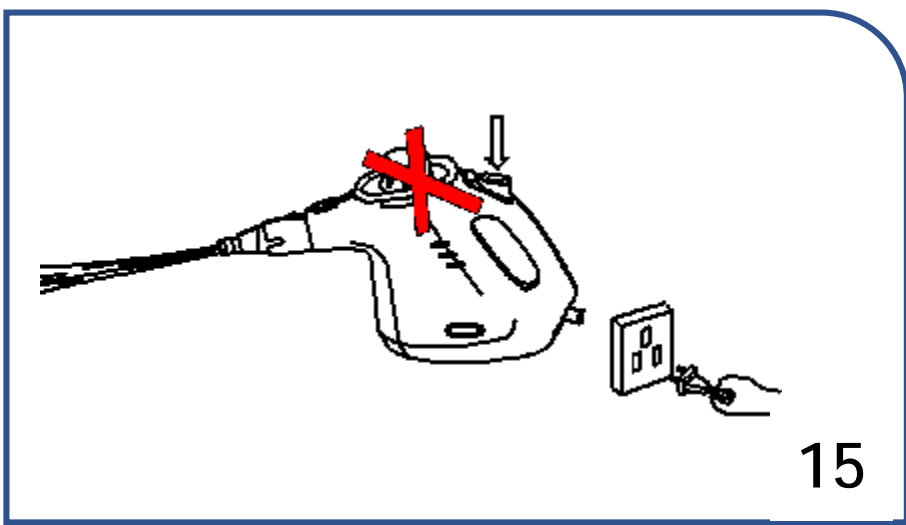
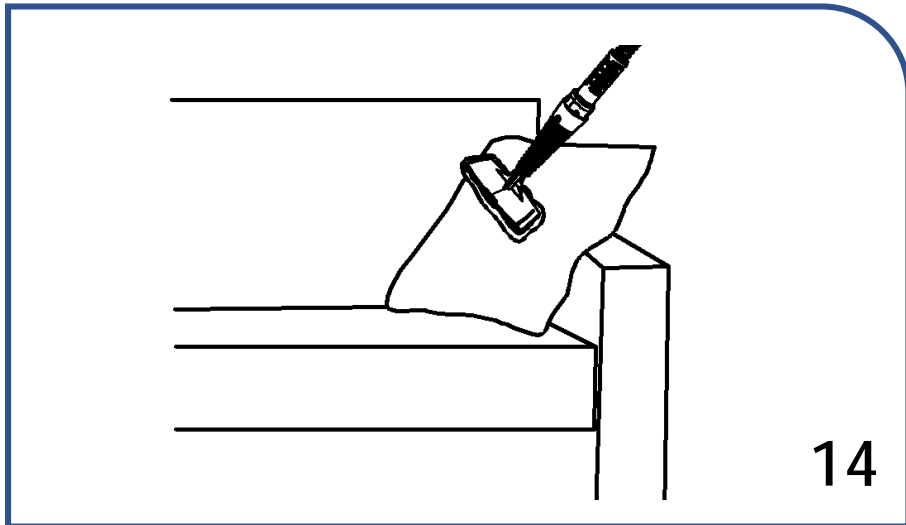
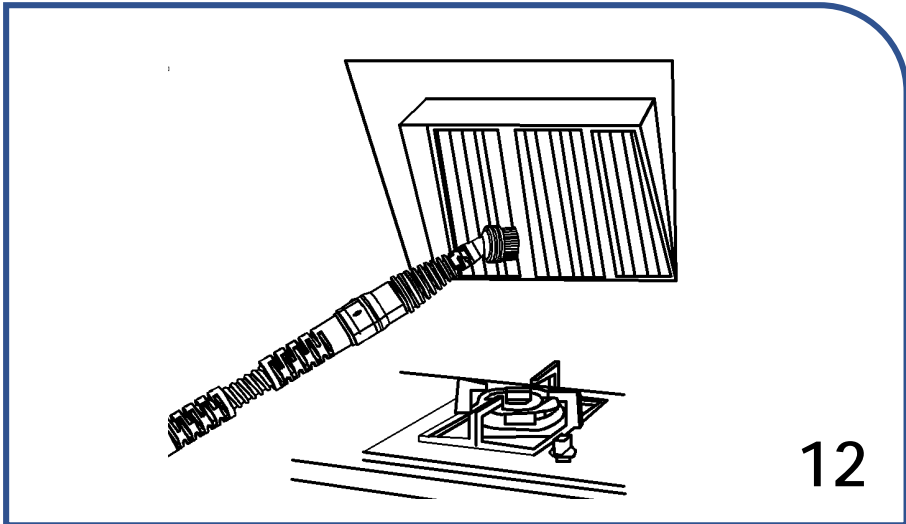


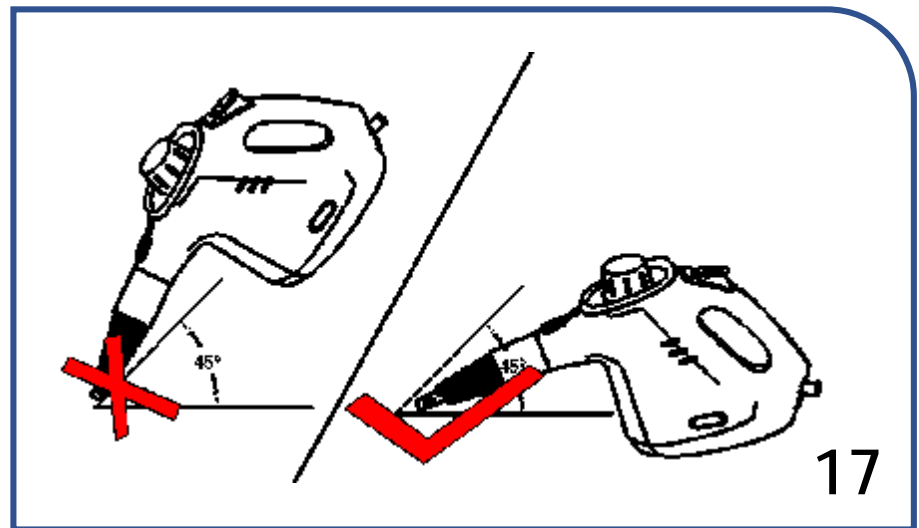
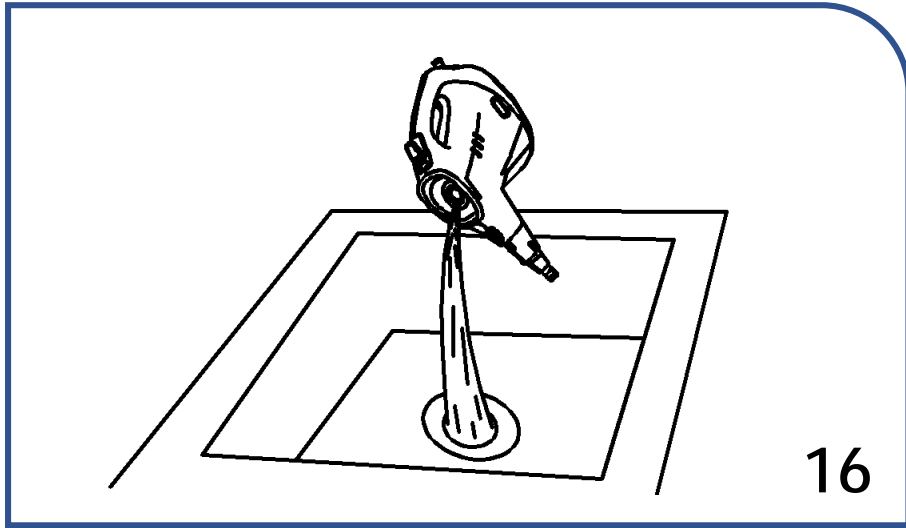
6



7







INSTRUCTIONS FOR SAFE USE

This appliance should only be used for domestic cleaning, as described in this user guide. Please ensure that this guide is fully understood before operating the appliance.

Do not leave the appliance plugged in. Always switch off and remove the plug from the socket after use, or before cleaning the appliance or any maintenance task.

This appliance can be used by persons with reduced physical, sensory or mental capabilities or lack of experience and knowledge if they have been given supervision or instruction concerning use of the appliance in a safe way and understand the hazards involved. Children shall not play with the appliance.

Keep the appliance out of reach of children when it is energized or cooling down.

The appliance is not to be used if it has been dropped, if there are visible signs of damage or if it is leaking.

If the power cord is damaged stop using the appliance immediately. To avoid a safety hazard, an authorised service engineer must replace the power cord.

This appliance must be earthed.

The appliance shall not be left unattended while it is connected to the supply mains.

Do not use your appliance out of doors.

Use only attachments, consumables or spares recommended or supplied.

Do not use the appliance to clean or direct steam towards animals, people or plants.

Liquid or steam must not be directed towards equipment containing electrical components, such as the interior of ovens.

Always unplug the cleaner, switch off and press the steam release trigger to release any remaining steam pressure before filling the water container. Do not fill over the

MAX mark.

The filling aperture must not be opened during use.

Danger of Scalding.

Surfaces are liable to get very hot during use. Avoid contact with steam.

Do not stand on or wrap the cord around arms or legs when using your appliance.

Do not position the appliance above you when cleaning the stairs.

When using the cleaning tools ensure to always steady the appliance with your other hand. This will ensure that the appliance does not fall while in use.

Do not handle the plug or appliance with wet hands.

Do not run over the power cord when using your appliance or remove the plug by pulling on the power cord.

Do not continue to use your appliance if it appears faulty.

maintenance service: To ensure the continued safe and efficient operation of this appliance we recommend that any servicing or repairs are only carried out by an authorised service engineer.

Do not immerse the appliance in water or other liquids.

Do not use detergents or liquids other than water inside the appliance.

The Environment

The symbol on this appliance indicates that this appliance may not be treated as household waste. Instead it must be handed over to the applicable collection point for the recycling of electrical and electronic equipment. Disposal must be carried out in accordance with local environmental regulations for waste disposal. For more detailed information about treatment, recovery and recycling of this appliance, please contact your local city office, your household and waste disposal service or the shop where you purchased the appliance.



GETTING TO KNOW YOUR CLEANER

- A. Safety Cap
- B. Steam Trigger Lock
- C. Steam Release Trigger
- D. Handle
- E. Cleaner Main Body
- F. Steam Ready Light
- G. Steam Outlet
- H. Disassembly switch
- I. Extension Hose
- J. Tapered Tube
- K. Curved Nozzle
- L. Copper Round Brush
- M. Small Round Brush
- N. Multi-Purpose Nozzle
- O. Large Scraper
- P. Textile Pad
- Q. The plastic cup
- R. Funnel

ASSEMBLING YOUR CLEANER

Standard nozzle

Connect the conical tube **[J]** to the steam outlet **[G]**, press the disassembly switch **[H]**, align the slot on the conical tube **[J]** with the buckle of the disassembly switch **[H]** and insert it in the direction indicated by the arrow until locked in place. **[1 a]**

Extension Pipe

Connect the extension hose **[I]** to the steam outlet **[G]**, press the disassembly switch **[H]**, align the groove of the extension hose **[I]** with the disassembly switch **[H]**, insert

in the direction of the arrow until locked in place **[2 a]**

Once tapered tubes or extension hoses are attached, they can be used directly for steam applications, or you can attach accessories for use.

You can choose from a variety of accessories depending on what tasks you are performing.

To install accessories, install conical tube or extension hose to steam outlet, install accessories to conical tube or extension hose, turn clockwise to lock position. **[3]**

To remove the cone or extension hose, turn off the product and allow it to cool, press the disassembly switch and gently pull out of the washer in the direction indicated by the arrow. **[1 b & 2 b]**

USING YOUR CLEANER

You can start using a steam cleaner for cleaning and hygiene.

- 1.Remove the safety cap by turning anti-clockwise. [4]
- 2.Fill the boiler with 200ml ordinary tap water or desalinated brine. [5]
- 3.Re-fit the safety cap to the boiler turning clockwise, ensuring it is shut tightly. [6]
4. Attach the accessory most suited for the surface and task to be performed. [3]
5. Insert the power cable into the appropriate grounded power socket. The steam preparation lamp glows red. After heating, the indicator light is off, and the product can output steam.
- 6.To deliver steam, release the trigger safety lock [7] and push steam release trigger [8]. Ensure the trigger safety lock is in the locked position when your product is not in use. [7]

NOTE: In order to significantly reduce mineral build-up and to prolong the life of your steam cleaner, it is highly recommended to use distilled or demineralised water.

IMPORTANT: Always unplug the cleaner and press the steam release trigger to release any remaining steam pressure before adding water. [15]

ACCESSORIES

According to your cleaning needs, you can choose accessories reasonably.

Tapered tubes make the steam stronger.

Extension hoses allow for more flexible operation.

Note: all accessories should only be used for tapered or extension hoses and should not be attached directly to the product.

Copper Round Brush: Ideal for removal of very stubborn stains. [10]

Curved Nozzle: Ideal for cleaning hard to reach areas such as taps etc. [11]

Small Round Brush: Ideal for use on stubborn grease and grime. [12]

Multi-Purpose Nozzle: this is used along with the Large scraper, Textile pad. [9]

1. Large scraper: insert the multi-purpose nozzle into the large scraper, which is ideal for use on windows and mirrors for a for a smear clean free finish. [13]
2. Textile pad: fit the textile pad over the multi- purpose nozzle, ideal for cleaning fabric and soft furnishings.[14]

IMPORTANT: As the accessories become very hot during use, you must be very careful when removing them or replacing them. Either use an oven glove to handle them or wait until they cooled down.

Always ensure that the product is disconnected from the mains power before changing the accessories.

CLEANER MAINTENANCE

Before each use, inspect the seal on the steam nozzle, if the seal is missing or damaged do not use the appliance and contact the authorized service.

IMPORTANT: ALWAYS ENSURE THE CLEANER HAS FULLY COOLED DOWN BEFORE PERFORMING ANY MAINTENANCE TASKS.

Empty the water tank

1. Unplug the power cord and ensure that the machine is cooled.
2. Hold the steam release trigger down to release any remaining steam pressure. [15]
3. Remove the safety cap turning anti-clockwise. [4]
4. Lift the cleaner and empty any remaining water. [16]

Removing and cleaning the textile pad

1. Unplug the cleaner from the mains power and ensure the unit has cooled.
2. Remove the textile pad from multi-purpose nozzle.
3. Wash the textile pad by hand or machine with a mild detergent at max temperature 30°C.

IMPORTANT: Do not use bleach or fabric softener when washing the textile pad.

TROUBLESHOOTING

Should you have a problem with the product, complete this simple user checklist.

The steam cleaner will not powered.

- Check the unit is plugged in.
- Check the power cord.

The product is not producing steam.

- Check the unit is plug in.
- There may be no water in the water tank.
- The water is not at the correct temperature.

When the indicator is off, heating is complete.

The washer takes a long time to warm up.

- If you live in a hard water area the water tank may have become blocked. The unit will have to be descaled.

CLEANING FAQS

When will the steam feature be ready? When the indicator is off, the heating is complete .

Can I use Steam Capsule Express on all floor surfaces? On all hard floors like marble, ceramic, stone, linoleum, sealed hardwood floors and parquet.

Will the steam cleaner emit steam automatically? No, to generate steam you should press the steam trigger button under the handle

Can I put detergents or other chemicals inside the tank? No, you would damage the product.

What if in the city where I live the water is very hard? Use filtered water, distilled or demineralized water.

How long will one tank of water last before needing to be refilled? Up to 7 minutes if you press the trigger continuously.

Water added too fast, overflow out how to do? Press the steam switch and the water will drop.