

IMPORTANT, RETAIN FOR FUTURE REFERENCE AND
 READ CAREFULLY. ASSEMBLY AND CARE
 INSTRUCTIONS FOR Oakdale STORAGE BED

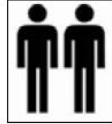
DESCRIPTION

ITEM NAME: Oakdale BED

ITEM NO: BW_08

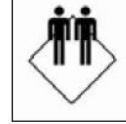
30 mins

APPROXIMATE ASSEMBLY TIME



2 PERSONS ASSEMBLY

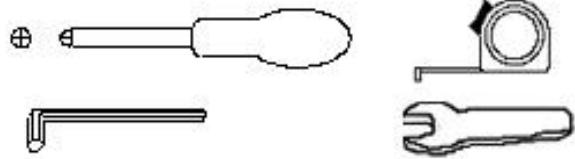
Floor Area
2.5 m x 2.5 m



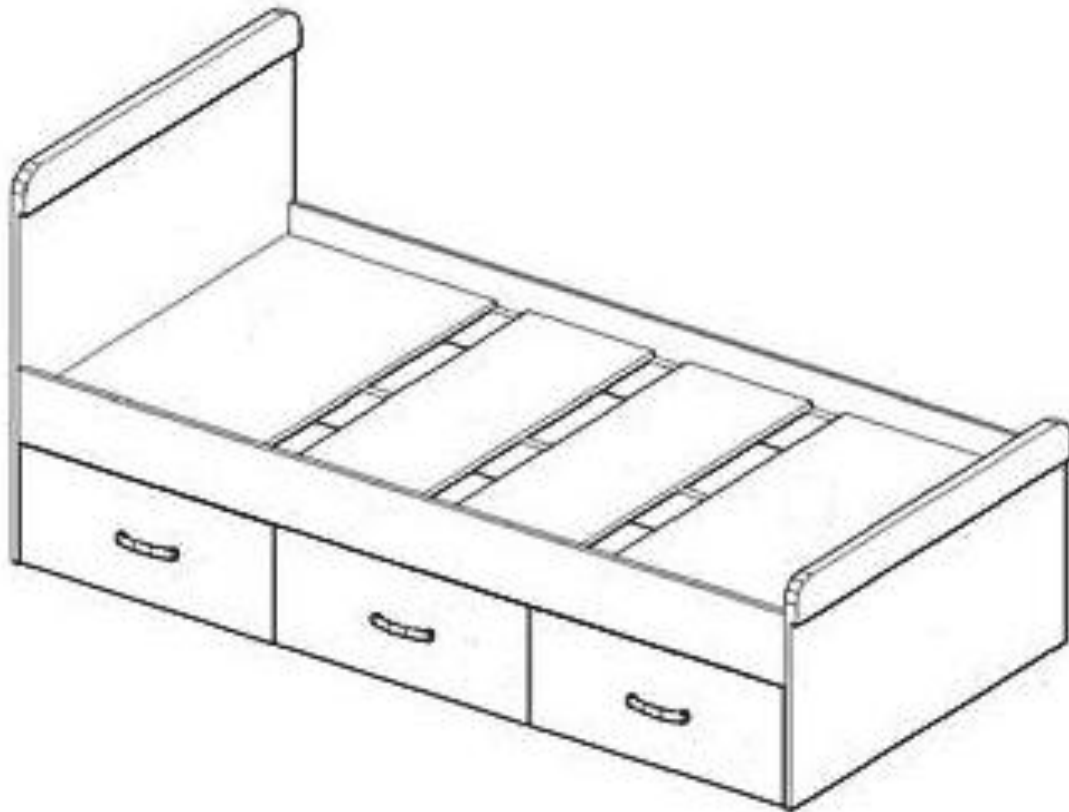
Ceiling Heights
2.0 m

REQUIRED ASSEMBLY SPACE

REQUIRED ASSEMBLY TOOLS



ASSEMBLED

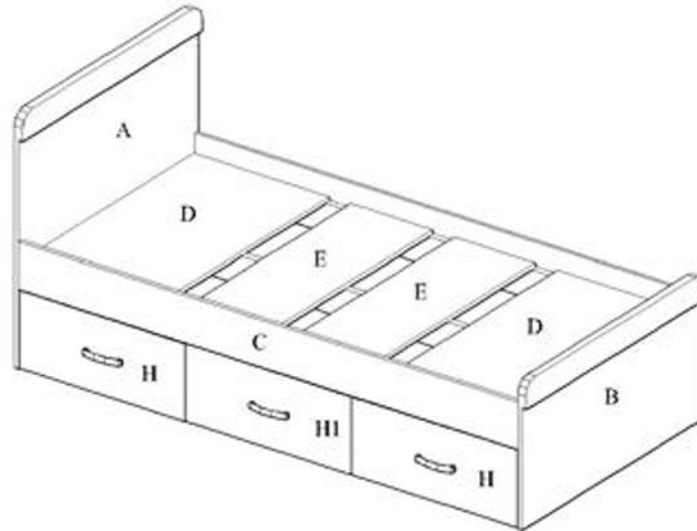


DESCRIPTION











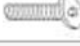
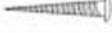

ITEM NAME: ATHENA BED

ITEM NO: BW 08

Parts and Hardware List



HARDWARE LIST & STEP

STEP	NAME	DRAWING	PIECE
(1)	WOODEN DOWEL		12 pcs
	BARREL NUT		10 pcs
(2)	MINI FIX (B) - 15mm		12 pcs
	MINI FIX (A) - 15mm		12 pcs
	HANDLE		3 pcs
	PAN HEAD (20 mm)		6 pcs
	WOODEN DOWEL		12 pcs
(3)	SCREW (CB5 x 40 mm)		12 pcs
(4)	NYLON CASTER		12 pcs
	SCREW (14 mm)		24 pcs
(5)	JCBC SCREW M6 x 50		10 pcs
(6)	SCREW (CB5 x 40 mm)		24 pcs
	ALLAN KEY		1 pc

DESCRIPTION

ITEM NAME: ATHENA BED

ITEM NO: BW 08

Top Tips before you start!

1. Please check that all parts are present before you start the assembly of your furniture, as once assembled, the furniture is exempt from our home approval policy.
2. For ease and speed of assembly, we recommend that before you commence each step of the assembly, that you identify all the parts required for that step.
3. For larger items, please ensure that you have sufficient space and people to assemble your product safely.
4. We recommend that, where possible, all items are assembled near to the area in which they will be placed in use to avoid moving the product unnecessarily.
5. For the protection of your furniture, we recommend that the product is placed on a protected surface during assembly to prevent any damage.
6. During assembly, please take care not to over-tighten any fittings, as this may damage the product.

Care and Maintenance of your Furniture

General for child's bed

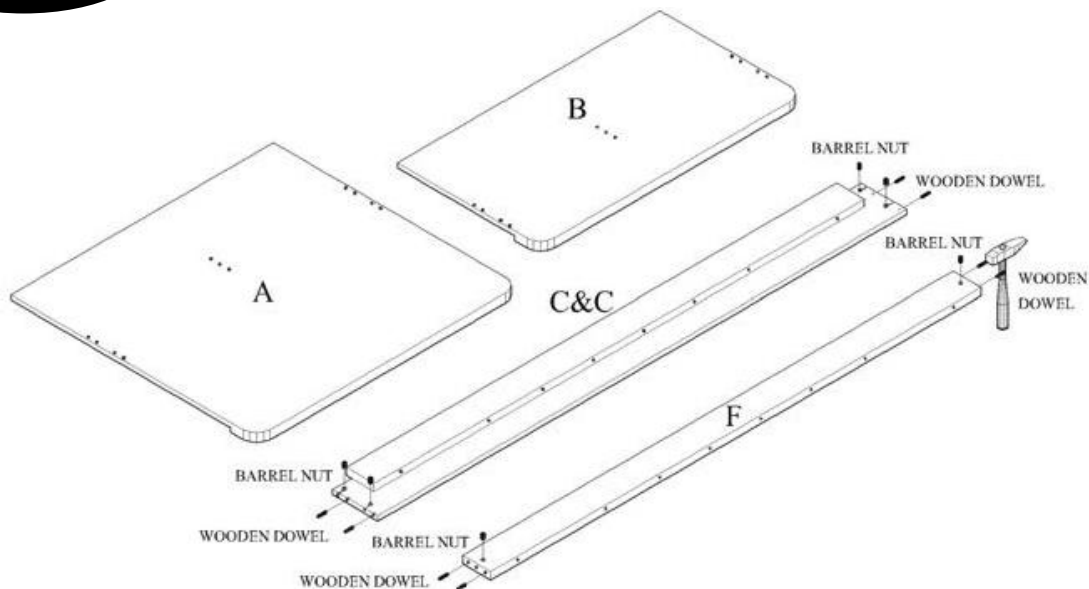
- ✓ WARNING. Do not place this child's bed near heat sources, windows or other furniture.
- ✓ WARNING. Do not use this child's bed if any part is broken, torn or missing.
- ✓ Please periodically check all fittings and re-tighten as necessary.
- ✓ For child from 5 years up.
- ✓ The size of the mattress:
- ✓ That the child's bed conforms to BS 8509.2008
- ✓ To clean your item, please use a damp cloth and wipe clean.
- ✓ By swinging, make sure that the swing is firmly fixed. The maximum pendulum angle is twenty Degree. By extreme movement of the swing, there is a risk of fall over and injury.
- ✓ That Children are likely to play, bounce, jump and climb on beds therefore the child's bed should not be placed too close to other furniture or windows, and should be placed either tight to any wall or have a gap of 300mm between the wall and the side of the bed.
- ✓ Recommendation that any additional or replacement parts are obtained from the manufacturer or distributors.

DESCRIPTION

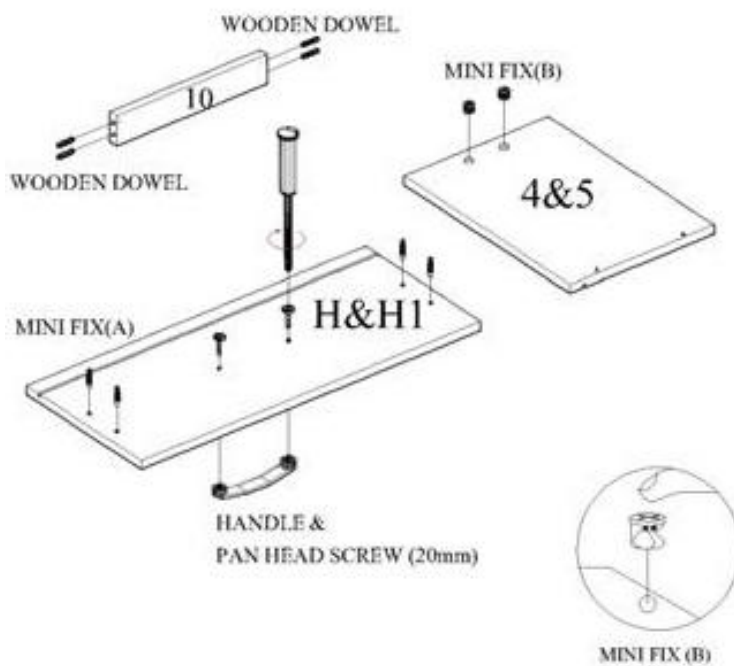
ITEM NAME: ATHENA BED

ITEM NO: BW 08

STEP 1



STEP 2

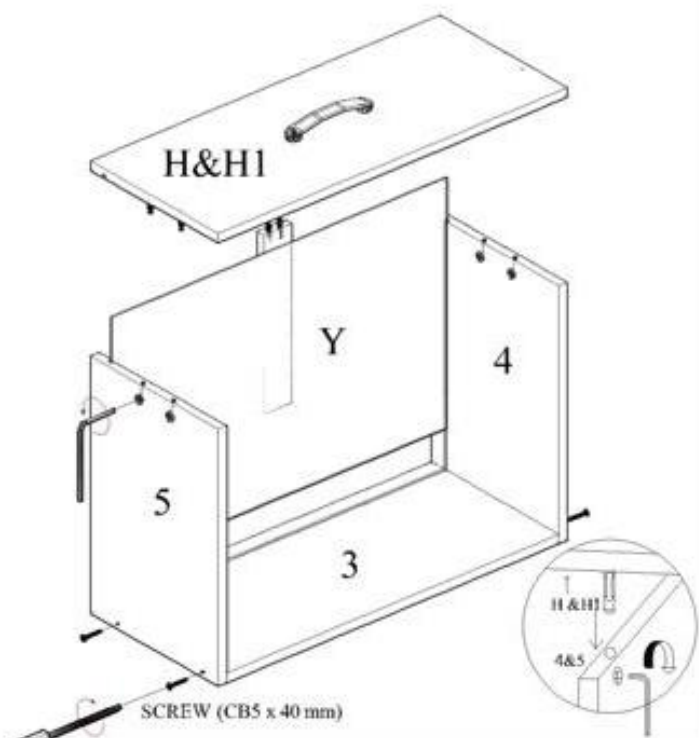


DESCRIPTION

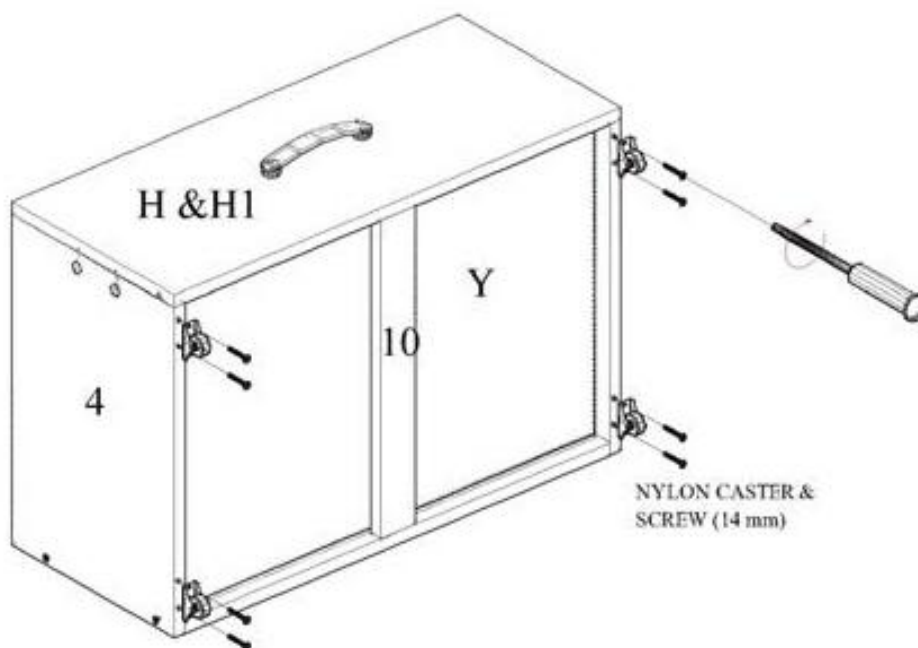
ITEM NAME: ATHENA BED

ITEM NO: BW 08

STEP 3



STEP 4

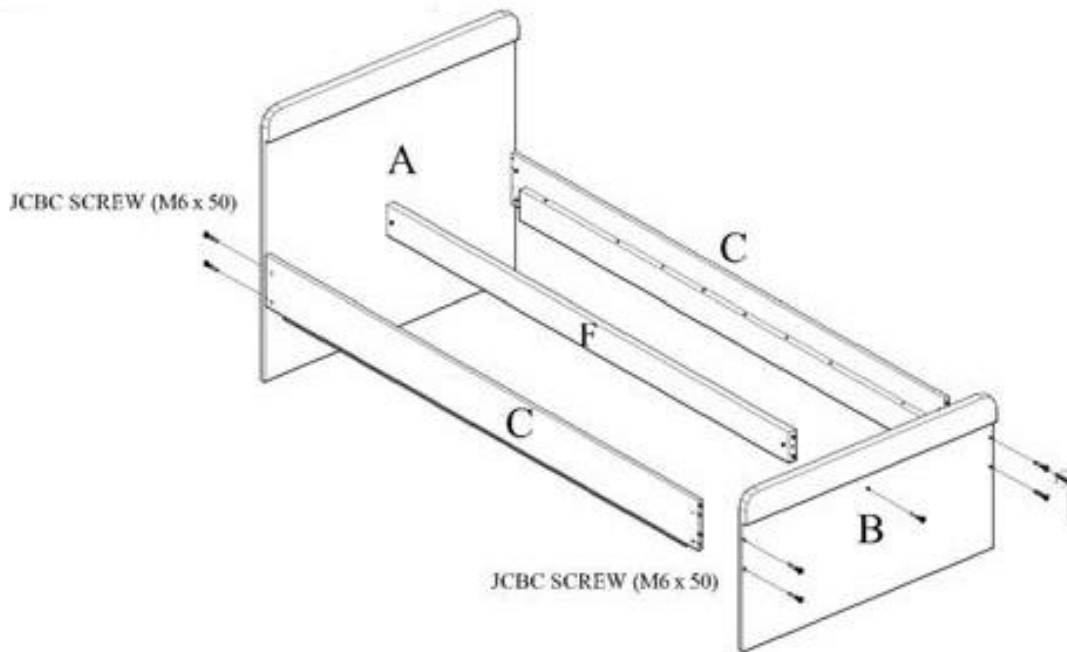


DESCRIPTION

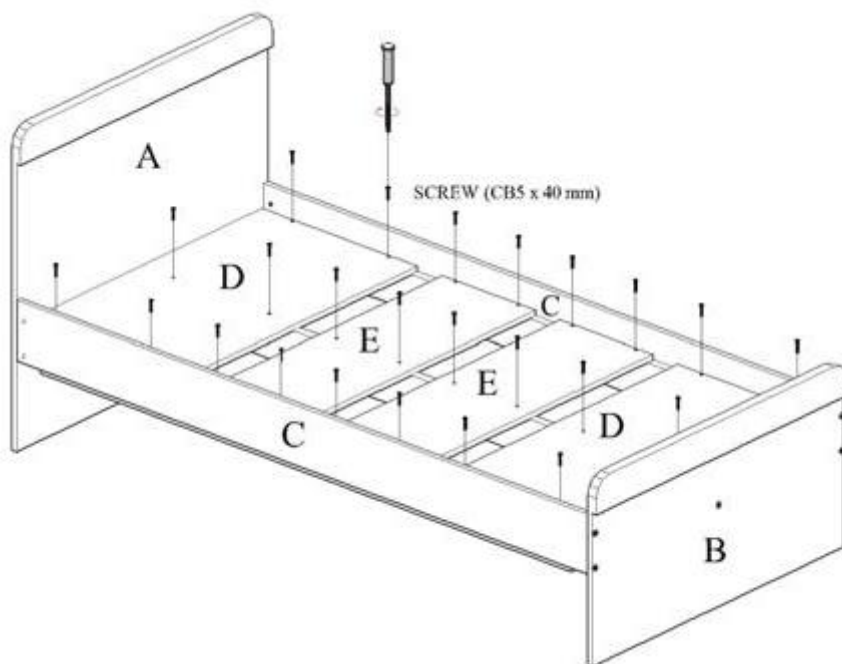
ITEM NAME: ATHENA BED

ITEM NO: BW 08

STEP 5



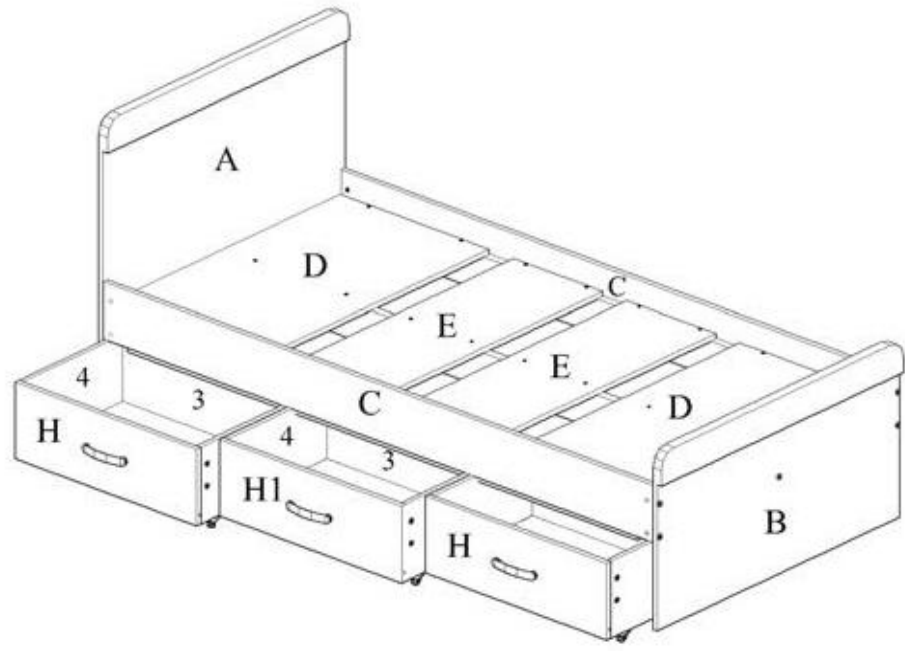
STEP 6



DESCRIPTION

ITEM NAME: ATHENA BED
ITEM NO: BW 08

STEP 7



MOUNTROSE

Thank you for purchasing your new Mountrose product.
If in the unlikely event you experience any problems with assembly, or require any
spare screws/fixings for this product.

DO NOT RETURN THIS ITEM!!!!!!

Please telephone the Mountrose Customer Helpline

0161 406 5040

or email qc@mountrose.co.uk

THIS DOES NOT AFFECT YOUR STATUTORY RIGHTS