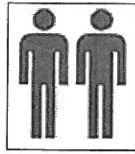


IMPORTANT, RETAIN FOR FUTURE REFERENCE AND READ CAREFULLY. ASSEMBLY AND OPERATING INSTRUCTIONS FOR SPACE SAVING BREAKFAST SET

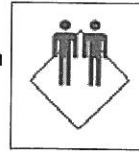
DESCRIPTION

ITEM NAME: SPACE SAVING BREAKFAST SET ITEM NO: 25105

0.3 hrs



Floor Area
0.0mm x 0.0mm



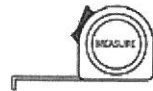
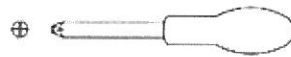
Ceiling Heights
0.0mm

APPROXIMATE ASSEMBLY TIME

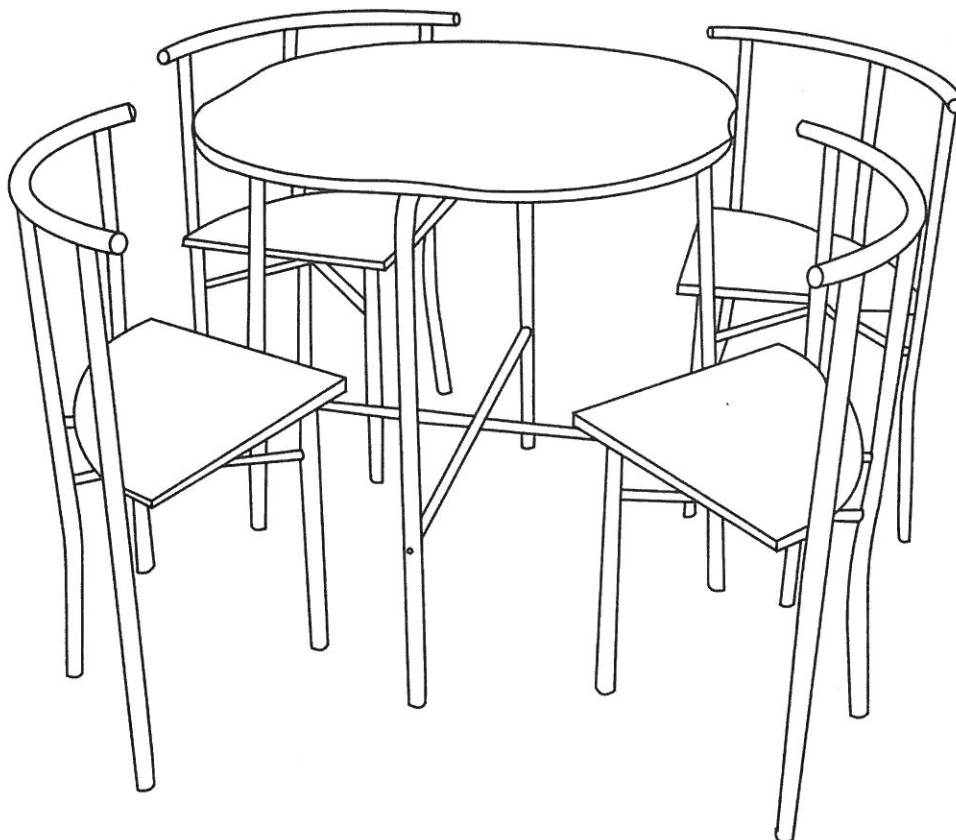
2 PERSONS ASSEMBLY

REQUIRED ASSEMBLY SPACE

REQUIRED ASSEMBLY TOOLS



ASSEMBLED DIMENSIONS

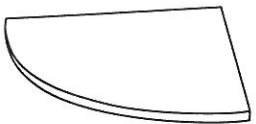


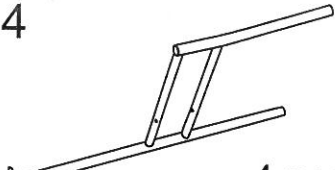
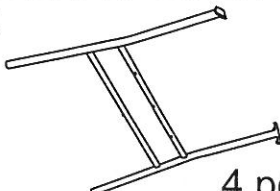
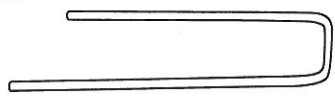
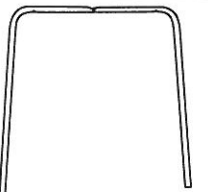

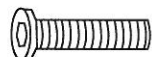
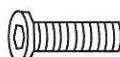
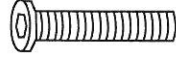
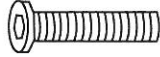
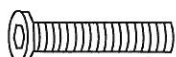




MOUNTROSE

MOUNTROSE LIMITED, ALAN HOUSE, ASHTON ROAD, BREDBURY, STOCKPORT SK6 2QN UNITED KINGDOM

DESCRIPTION

ITEM NAME: SPACE SAVING BREAKFAST SET
 ITEM NO: 25105

1  4 pcs	2  1 pc
3  4 pcs	4  4 pcs
5  4 pcs	6  1 pc
7  1 pc	8  10 pcs
9  6x25mm 20 pcs	10  6x12mm 24 pcs
11  6x40mm 4 pcs	12  6x30mm 2 pcs
13  6x35mm 4 pcs	14  2 pcs

	DESCRIPTION
	ITEM NAME: SPACE SAVING BREAKFAST SET ITEM NO: 25105

Top Tips before you start!

1. Please check that all parts are present before you start the assembly of your furniture, as once assembled, the furniture is exempt from our home approval policy.
2. For ease and speed of assembly, we recommend before you commence each step of the assembly, that you identify all the parts required for that step.
3. For larger items, please ensure that you have sufficient space and people to assemble your product safely
4. We recommend that ,where possible all items are assembled near to the area in which they will be placed in use, to avoid moving the product unnecessarily.
5. For the protection of your furniture (particularly items of high gloss finish), we recommend that the product is placed on a protected surface during assembly to prevent any damage.
6. During assembly please take care not to over-tighten any fittings, as this may damage the product .

Care and Maintenance of your Furniture

General for Tables

- Please periodically check all fittings and re-tighten as necessary.
- Please do not sit or stand on this item.
- Never allow any kind of liquid to remain on your furniture, Absorption can cause wood to warp or finishes to de-laminate
- lease do not drag and pull your furniture.

For tables including Wood, please add the following

- To clean your items, please use a soft cloth moistened in luke warm soapy and water. Then buff with a dry clean cloth
- To prevent damage to the table

General for Chairs

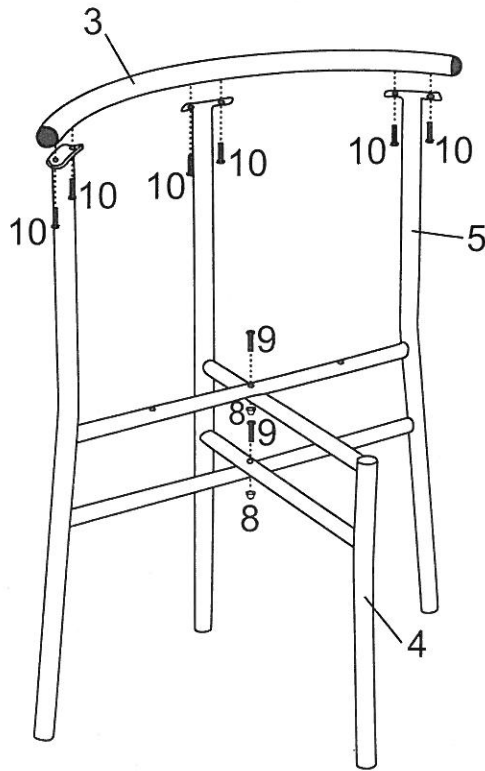
- Please periodically check all fittings and re-tighten as necessary.
- Please do not stand or jump on your furniture .
- To clean your item ,please use a damp cloth and wipe clean .
- Never allow any kind of liquid to remain on your furniture .Absorption can cause wood to warp or finishes to de-laminate.

MOUNTROSE

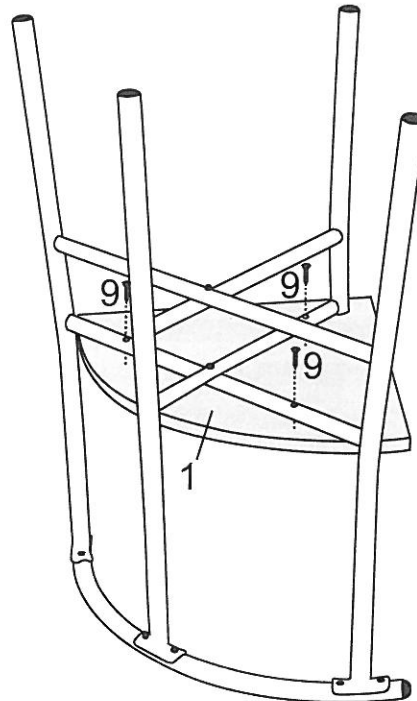
DESCRIPTION

ITEM NAME: SPACE SAVING BREAKFAST SET
ITEM NO: 25105.....

STEP 1



STEP 2



MOUNTROSE

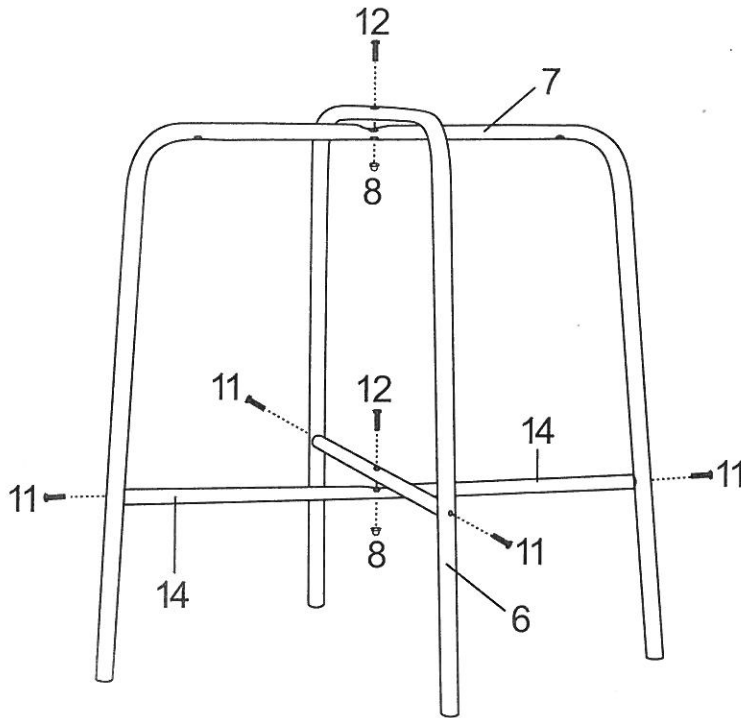
MOUNTROSE LIMITED, ALAN HOUSE, ASHTON ROAD, BREDBURY, STOCKPORT, SK6 2QN UNITED KINGDOM

MOUNTROSE

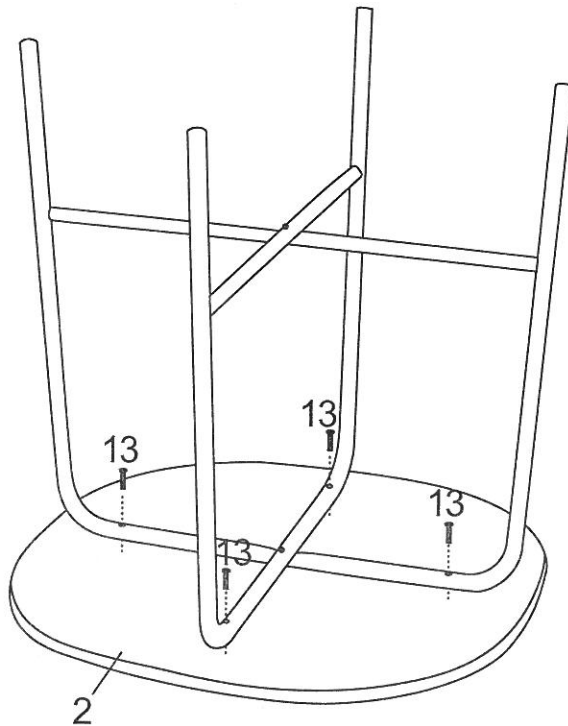
DESCRIPTION

ITEM NAME: SPACE SAVING BREAKFAST SET
ITEM NO: 25105

STEP 3



STEP 4



MOUNTROSE

MOUNTROSE LIMITED, ALAN HOUSE, ASHTON ROAD, BREDBURY, STOCKPORT, SK6 2QN UNITED KINGDOM