

IMPORTANT, RETAIN FOR FUTURE REFERENCE AND
 READ CAREFULLY. ASSEMBLY AND OPERATING
 INSTRUCTIONS FOR GERBERA COFFEE TABLE

DESCRIPTION

ITEM NAME: GERBERA COFFEE TABLE

ITEM NO: 37161

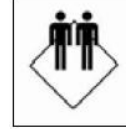
5 mins

APPROXIMATE ASSEMBLY TIME



1 PERSONS ASSEMBLY

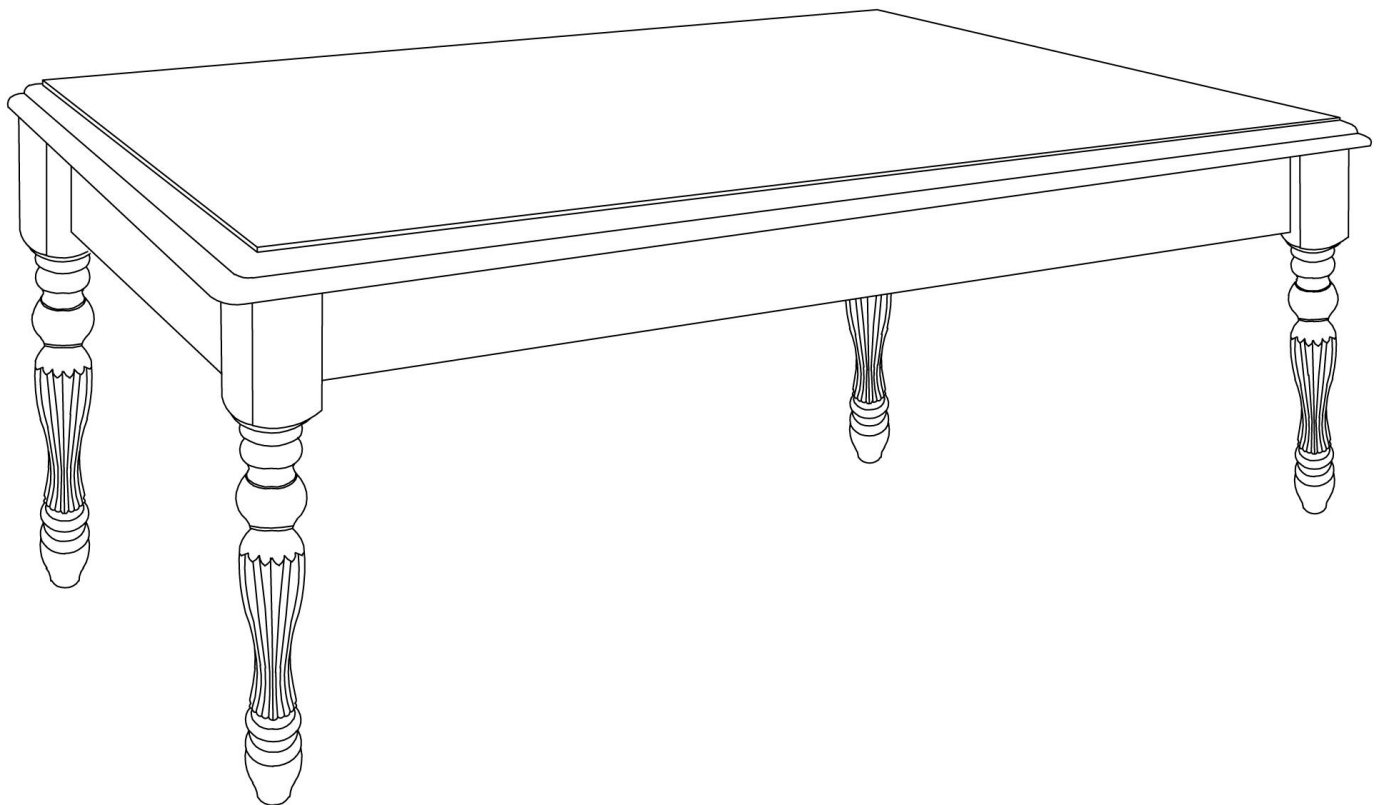
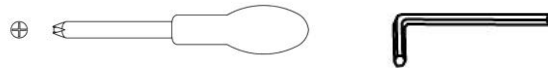
Floor Area
1 m x 1 m



Ceiling Heights
2.0 m

REQUIRED ASSEMBLY SPACE

REQUIRED ASSEMBLY TOOLS



ASSEMBLED GERBERA COFFEE TABLE

DESCRIPTION

ITEM NAME: GERBERA COFFEE TABLE

ITEM NO: 37161

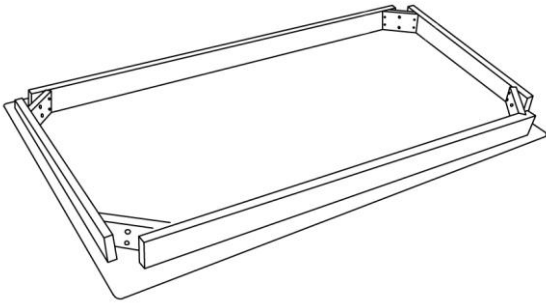
PARTS LIST

1. TABLE TOP





1 pc

2. TABLE LEGS

4 pcs



HARDWARE LIST

A	JCBC M6 X 50MM		8 PCS
B	SPRING WASHER		8 PCS
C	FLAT WASHER		8 PCS
D	ALLEN KEY		1 PC

DESCRIPTION

ITEM NAME: GERBERA COFFEE TABLE

ITEM NO: 37161

1. Please check that all parts are present before you start the assembly of your furniture, as once assembled, the furniture is exempt from our home approval policy.
2. For ease and speed of assembly, we recommend that before you commence each step of the assembly, that you identify all the parts required for that step.
3. For larger items, please ensure that you have sufficient space and people (as indicated on page 1) to assemble your product safely.
4. We recommend that, where possible, all items are assembled near to the area in which they will be placed in use, to avoid moving the product unnecessarily once assembled.
5. For the protection of your furniture, particularly items of high gloss finish, we recommend that the product is placed on a protected surface during assembly to prevent any damage.
6. During assembly please take care not to over-tighten any fittings, as this may damage the product.

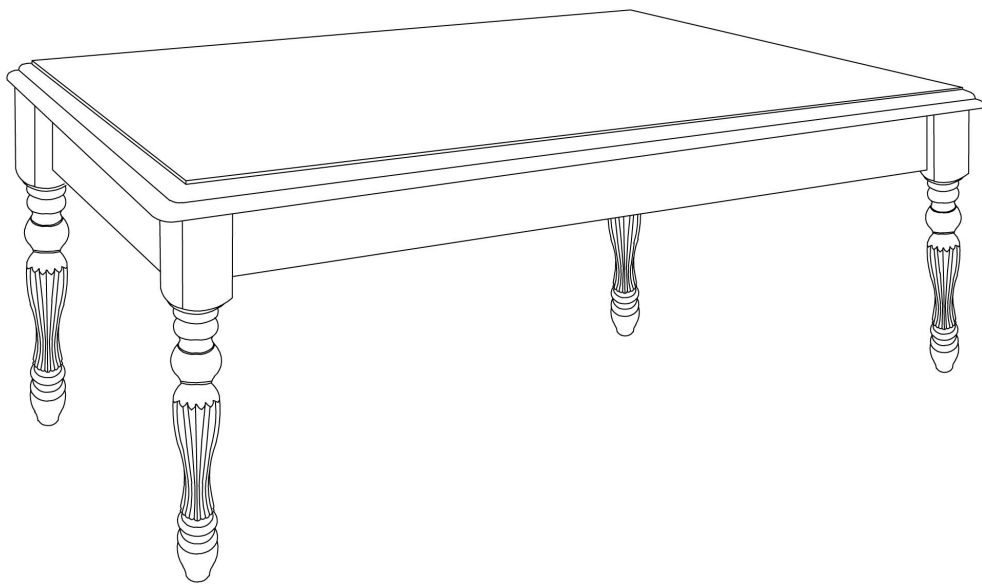
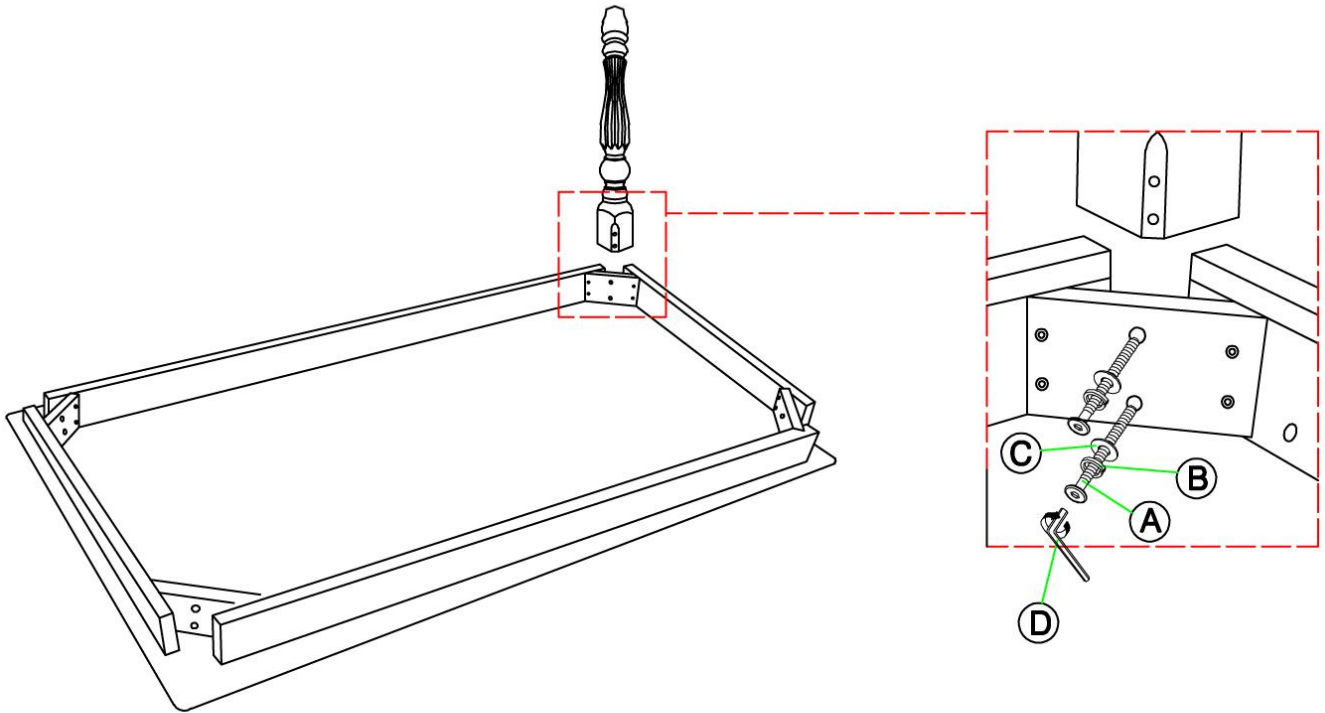
Care and Maintenance of your Furniture

- Please periodically check all fittings and re-tighten as necessary.
- To clean your item, please use a damp cloth and wipe clean.
- Never allow any kind of liquid to remain on your furniture. Absorption can cause wood to warp or finishes to de-laminate.
- Please do not place hot items (e.g. hot drinks) directly on to the wood surface.
- Please do not drag and pull your furniture.

DESCRIPTION

ITEM NAME: GERBERA COFFEE TABLE

ITEM NO: 37161



MOUNTROSE

Thank you for purchasing your new Mountrose product.
If in the unlikely event you experience any problems with assembly, or require any
spare screws/fixings for this product.

DO NOT RETURN THIS ITEM!!!!

Please Telephone the Mountrose Customer Helpline

0161 406 5040

or email gc@mountrose.co.uk

THIS DOES NOT AFFECT YOUR STATUTORY RIGHTS