

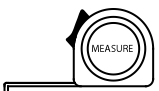
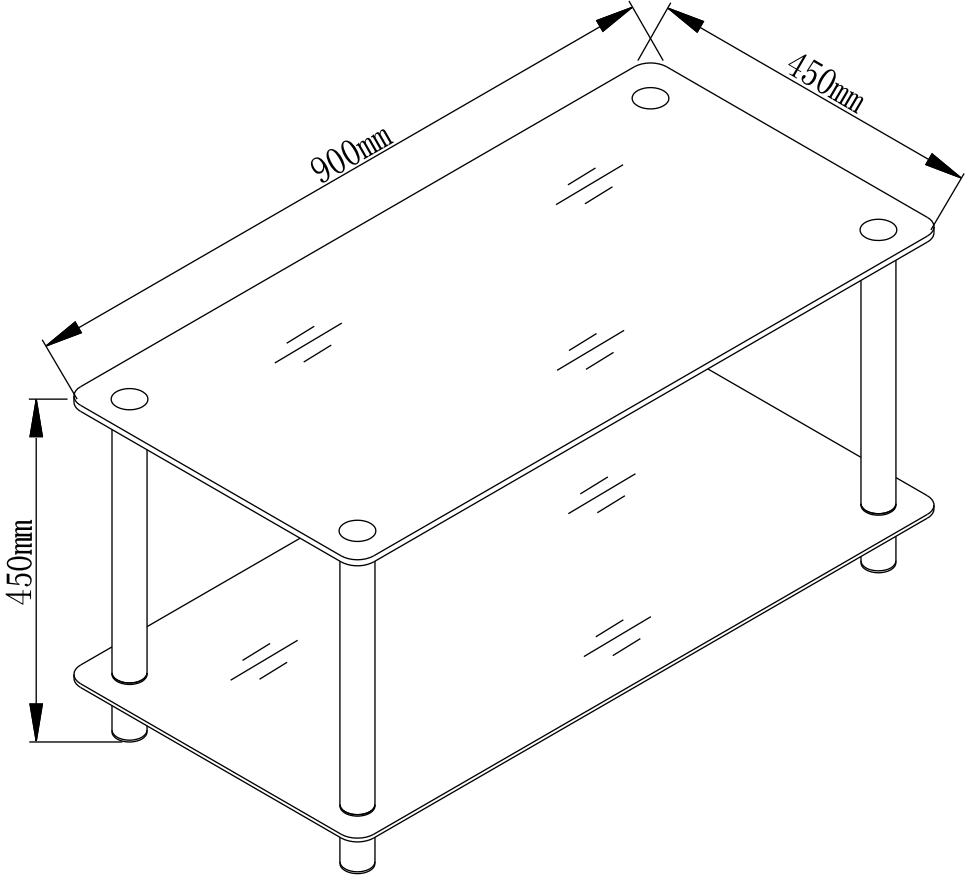



**IMPORTANT, RETAIN FOR FUTURE REFERENCE AND READ CAREFULLY. ASSEMBLY AND CARE INSTRUCTIONS FOR ODYSSEY COFFEE TABLE**

<u>DESCRIPTION</u>		
ITEM NAME:.....ODYSSEY COFFEE TABLE.....		ITEM NO:.....39170.....
<b>30 Minutes</b>	 2 PERSONS ASSEMBLY	Floor Area 1.0M x 1.0M  Ceiling Heights 2.0M  REQUIRED ASSEMBLY SPACE
APPROXIMATE ASSEMBLY TIME		REQUIRED ASSEMBLY SPACE
REQUIRED ASSEMBLY TOOLS		
<b>ASSEMBLED DIMENSIONS</b>		
		
<b>MOUNTR</b>  <b>SE</b>		MOUNTR ROSE LIMITED, ALAN HOUSE, ASHTON ROAD, BREDBURY, STOCKPORT. SK6 2QN UNITED KINGDOM

# MOUNTROSE

## DESCRIPTION

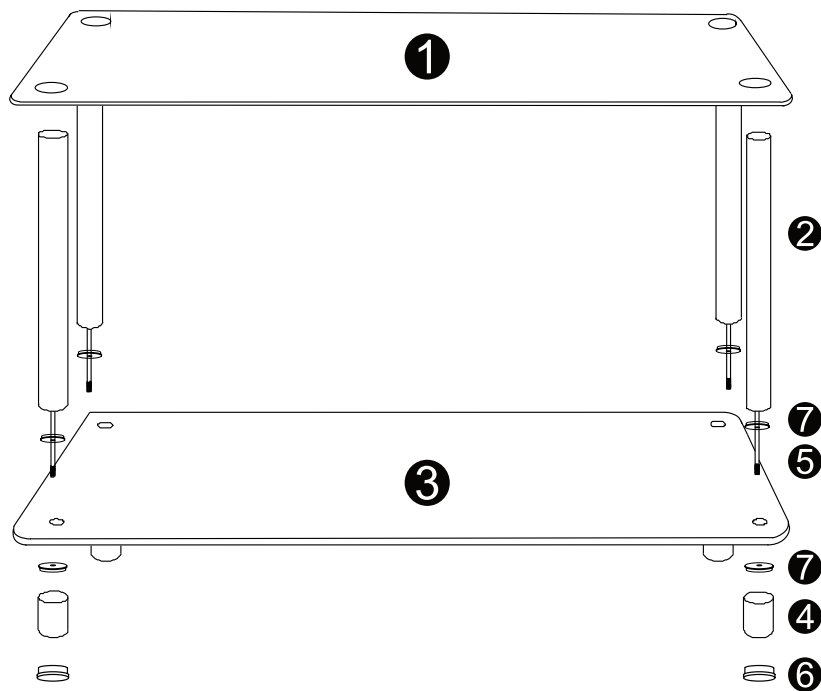
ITEM NAME:..... ODYSSEY COFFEE TABLE.....

ITEM NO:..... 39170.....

Maximum load	
Top shelf	80KG
Undershelves	30KG

### PARTS LIST

NO.	PART LIST	QTY
(1)	TOP SHELF	1
(2)	LONG METAL POLE	4
(3)	BOTTOM SHELF	1
(4)	SHORT METAL POLE	4
(5)	METAL RODS	4
(6)	PLASTIC FOOT	4
(7)	PLASTIC INSERTS (PACKED WITH POLE)	8



# MOUNTROSE

MOUNTROSE LIMITED, ALAN HOUSE, ASHTON ROAD, BREDBURY, STOCKPORT. SK6 2QN UNITED KINGDOM

## DESCRIPTION

ITEM NAME:..... ODYSSEY COFFEE TABLE.....

ITEM NO:..... 39170.....

### **Top Tips before you start!**

1. Please check that all parts are present before you start the assembly of your furniture, as once assembled, the furniture is exempt from our home approval policy.
2. For ease and speed of assembly, we recommend that before you commence each step of the assembly, that you identify all the parts required for that step.
3. For larger items, please ensure that you have sufficient space and people ( it should be as indicated on page 1 ) to assemble your product safely.
4. We recommend that, where possible, all items are assembled near to the area in which they will be placed in use, to avoid moving the product unnecessarily once assembled.
5. For the protection of your furniture, particularly items of high gloss finish, we recommend that the product is placed on a protected surface during assembly to prevent any damage.
6. During assembly please take care not to over-tighten any fittings, as this may damage the product.

### **Care and Maintenance of your Furniture**

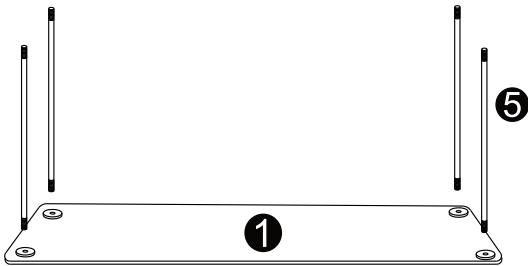
- The class of glass used it comply with Class A OF BS 6206.
- This Product complies with BS EN 12521:2009, imported by Mountrose Ltd Stockport SK6 2QN ( EMAIL [qc@mountrose.co.uk](mailto:qc@mountrose.co.uk) <mailto: qc@mountrose.co.uk> ) 8/5MM Thickness Tempered Glass. Model No.ZG-SGD-0012-02- BatchNumber 7864 900x450x8MM, 5MM if a glass component is chipped or broken, replace with glass of the type described on this label.
- Consult the manufacturer, retailer or agent with regard to obtaining a manufacturing specification and shape for replacement, glass quotin the model number and batch number or date of manufacture.
- Please periodically check all fittings and re-tighten as necessary.
- Please do not sit or stand on this item.
- Please do not drag and pull your furniture.  
If the glass is chipped or broken, stop using the product and consult the manufacturer or supplier.
- Please do not place very hot or very cold items on the glass surface, unless adequately thick table mats are used to prevent such items from coming into contact with the glass.
- Please do not use the glass as a chopping surface. Do not strike the glass with hard or pointed items.
- When cleaning glass panels use a damp cloth or leather with washing up liquid or soft soap if necessary, do not use washing powders or any other substances containing abrasives since these substances scratch glass.
- The glass used in this product is toughened and complies with BS EN 12150-1:2000, clauses 8.3 & 8.4

## DESCRIPTION

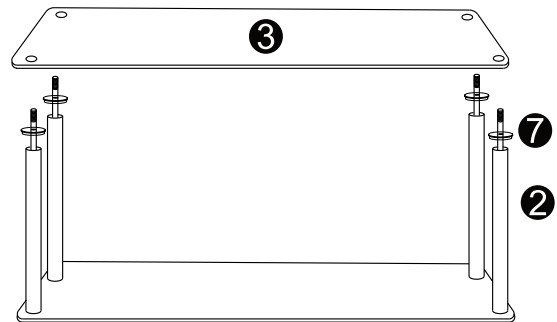
ITEM NAME:..... ODYSSEY COFFEE TABLE.....

ITEM NO:..... 39170.....

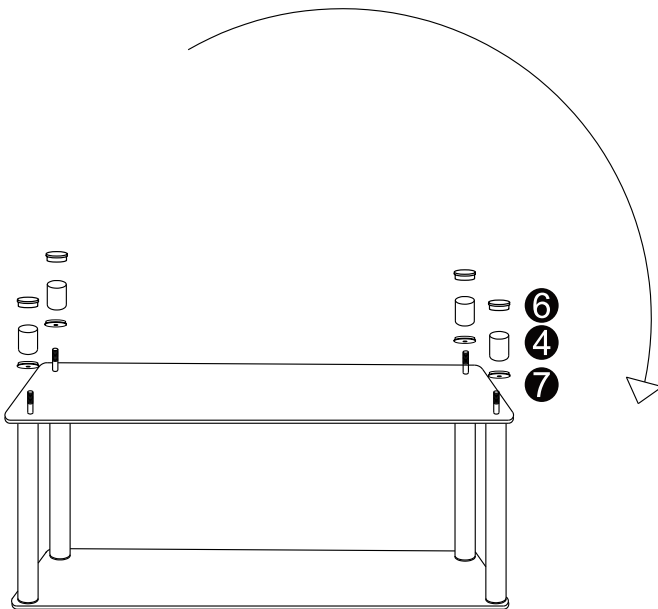
### STEP 1



### STEP 2



### STEP 3



### STEP 4

