

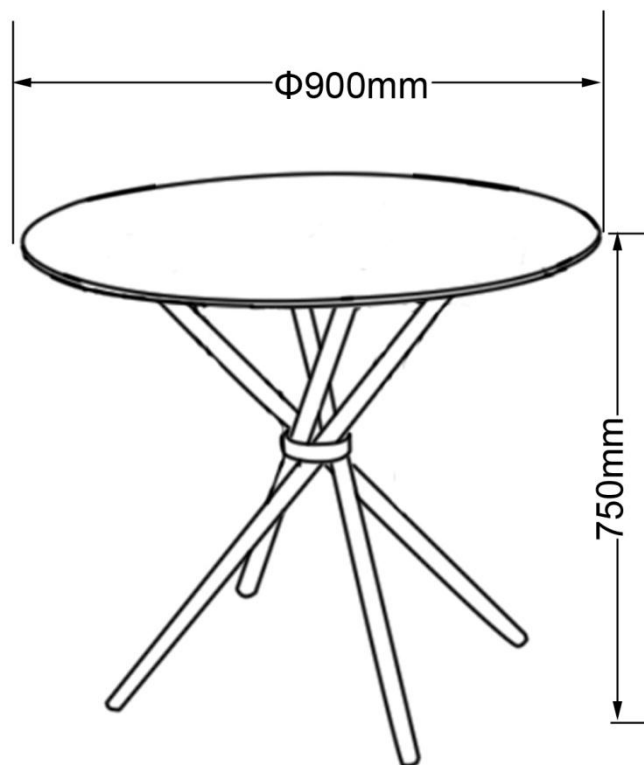
IMPORTANT, RETAIN FOR FUTURE REFERENCE AND
READ CAREFULLY. CARE INSTRUCTIONS FOR WHITE
DINING SET-TABLE AND 4 CHAIRS

DESCRIPTION

ITEM NAME: White Dining Set-Table And 4 Chairs

ITEM NO: 25222/25223

ASSEMBLED DIMENSIONS

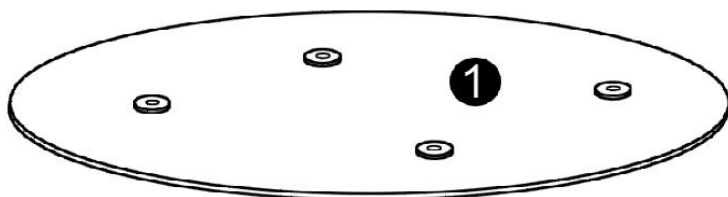


DESCRIPTION

ITEM NAME: White Dining Set-Table And 4 Chairs

ITEM NO: 25222/25223

PART LIST

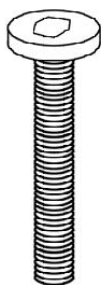


NO.	Part LIST	QTY
-----	-----------	-----

(1)	TOP GLASS	1
-----	-----------	---

(2)	FRAME/LEGS	1
-----	------------	---

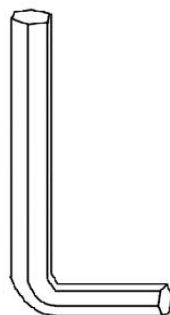
HARDWARE LIST



x4

A

BOLT



x1

B

HEX WRENCH

DESCRIPTION

ITEM NAME: White Dining Set-Table And 4 Chairs

ITEM NO: 25222/25223

1. Please check that all parts are present before you start the assembly of your furniture, as once assembled, the furniture is exempt from our home approval policy.
2. For ease and speed of assembly, we recommend that before you commence each step of the assembly, that you identify all the parts required for that step.
3. For larger items, please ensure that you have sufficient space and people (as indicated on page 1) to assemble your product safely.
4. We recommend that, where possible, all items are assembled near to the area in which they will be placed in use, to avoid moving the product unnecessarily once assembled.
5. For the protection of your furniture, particularly items of high gloss finish, we recommend that the product is placed on a protected surface during assembly to prevent any damage.
6. During assembly please take care not to over-tighten any fittings, as this may damage the product.

Care and Maintenance of your Furniture

General for Tables

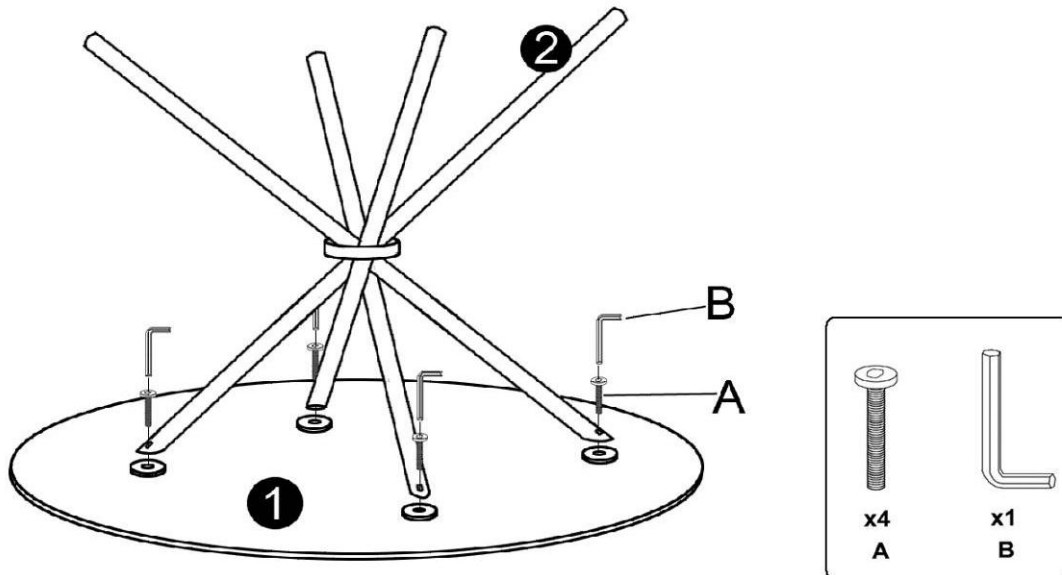
- Please periodically check all fittings and re-tighten as necessary.
- Please do not sit or stand on this item.
- Never allow any kind of liquid to remain on your furniture, Absorption can cause wood to warp or finishes to de-laminate
- Please do not drag and pull your furniture.
- If the glass is chipped or broken stop using the product and consult the manufacturer or supplier.
- Please do not place very hot or very cold items on the glass surface, unless adequately thick table mats are used to prevent such items from coming into contact with the glass.
- Please do not use the glass as a chopping surface. Do not strike the glass with hard or pointed items.
- When cleaning glass panels use a damp cloth or leather with washing up liquid or soft soap if necessary, do not use washing powders or any other substances containing abrasives since these substances scratch glass.
- The glass used in this product is toughened and complies with BS EN 2150-, 1:2000 clauses 8.4 & 8.3.

DESCRIPTION

ITEM NAME: White Dining Set-Table And 4 Chairs

ITEM NO: 25222/25223

Step 1



Step 2 Turn it over



MOUNTROSE

DESCRIPTION

ITEM NAME: White Dining Set-Table And 4 Chairs

ITEM NO: 25222/25223

MOUNTROSE

Thank you for purchasing your new Mountrose product.
If in the unlikely event you experience any problems with assembly, or require any
spare screws/fixings for this product,

DO NOT RETURN THIS ITEM!!!!!!

Please telephone the Mountrose Customer Helpline

0161 406 5040

or email qc@mountrose.co.uk

THIS DOES NOT AFFECT YOUR STATUTORY RIGHTS

MOUNTROSE

MOUNTROSE LIMITED, ALAN HOUSE, ASHTON ROAD, BREDBURY, STOCKPORT. SK6 2QN UNITED KINGDOM

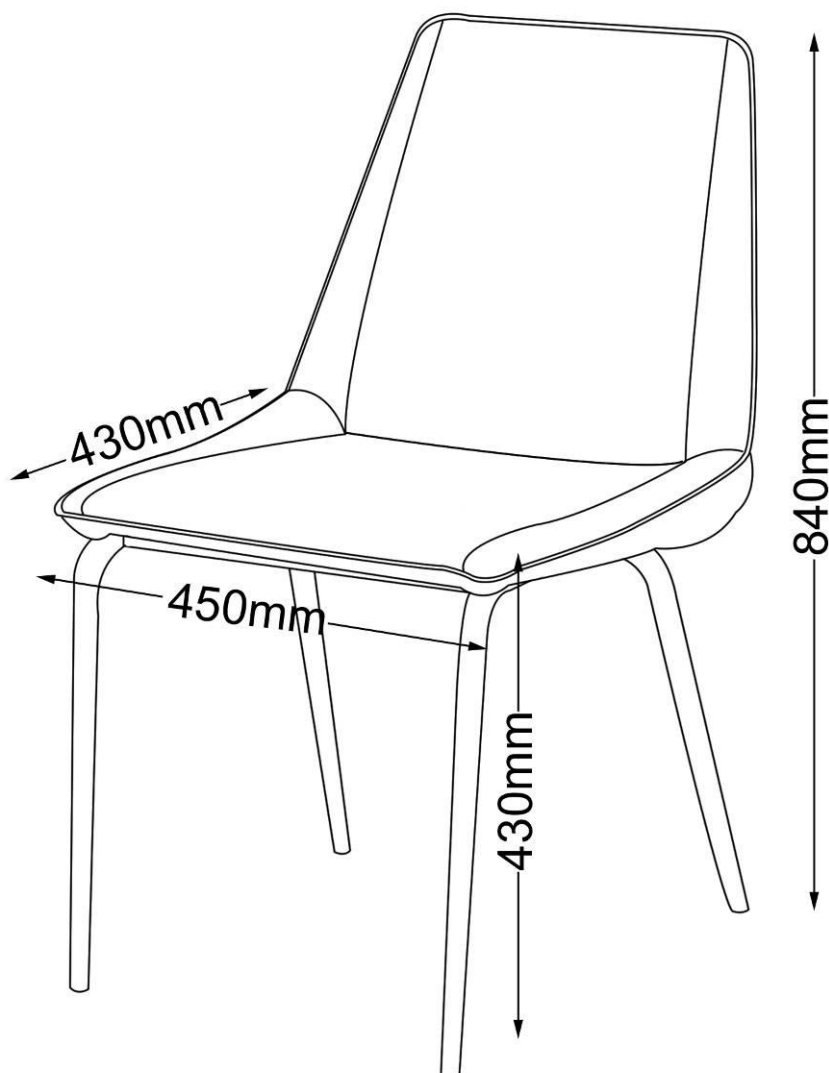
IMPORTANT, RETAIN FOR FUTURE REFERENCE AND
READ CAREFULLY. CARE INSTRUCTIONS FOR WHITE
DINING SET-TABLE AND 4 CHAIRS

DESCRIPTION

ITEM NAME: White Dining Set-Table And 4 Chairs

ITEM NO: 25224

ASSEMBLED DIMENSIONS

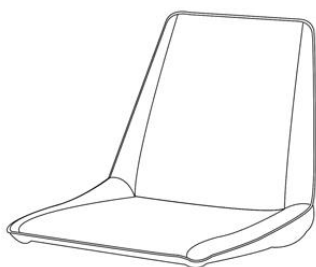


DESCRIPTION

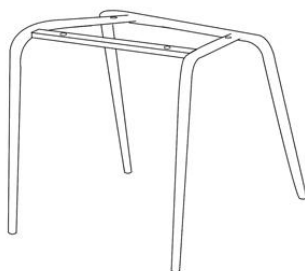
ITEM NAME: White Dining Set-Table And 4
Chairs

ITEM NO: 25224

PART LIST



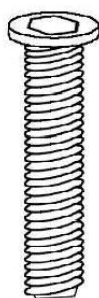
1



2

NO. PART LIST	QTY
(1) BACK AND SEAT	1
(2) FRAME/LEGS	1

HARDWARE LIST



x4

A

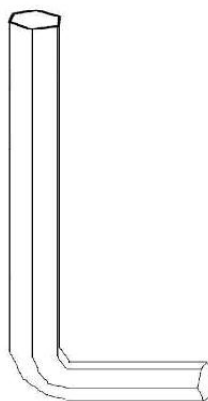
BOLT



x4

B

WASHER



x1

C

HEX WRENCH

DESCRIPTION

ITEM NAME: White Dining Set-Table And 4 Chairs

ITEM NO: 25224

1. Please check that all parts are present before you start the assembly of your furniture, as once assembled, the furniture is exempt from our home approval policy.
2. For ease and speed of assembly, we recommend that before you commence each step of the assembly, that you identify all the parts required for that step.
3. For larger items, please ensure that you have sufficient space and people (as indicated on page 1) to assemble your product safely.
4. We recommend that, where possible, all items are assembled near to the area in which they will be placed in use, to avoid moving the product unnecessarily once assembled.
5. For the protection of your furniture, particularly items of high gloss finish, we recommend that the product is placed on a protected surface during assembly to prevent any damage.
6. During assembly please take care not to over-tighten any fittings, as this may damage the product.

Care and Maintenance of your Furniture

General for Chairs

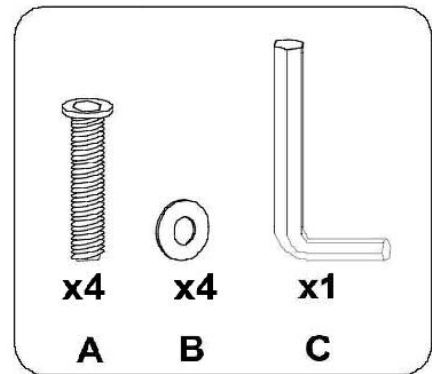
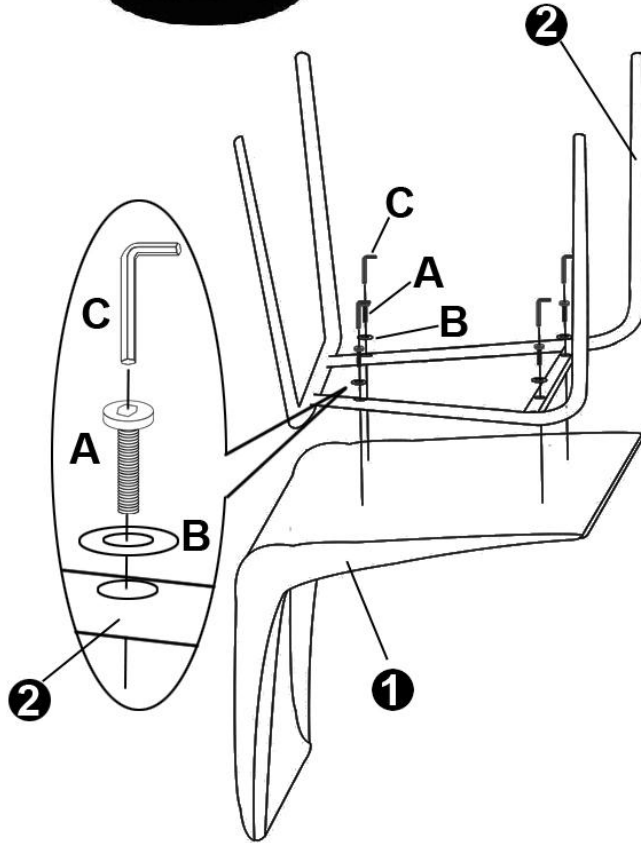
- Please periodically check all fittings and re-tighten as necessary.
- Please do not stand or jump on your furniture.
- To clean your item, please use a damp cloth and wipe clean.
- Never allow any kind of liquid to remain on your furniture. Absorption can cause wood to warp or finishes to de-laminate.
- To clean your item, please use a vacuum or slightly brush clean.

DESCRIPTION

ITEM NAME: White Dining Set-Table And 4
Chairs

ITEM NO: 25224

STEP 1



STEP 2

Turn it over



MOUNTROSE

DESCRIPTION

ITEM NAME: White Dining Set-Table And 4 Chairs

ITEM NO: 25224

MOUNTROSE

Thank you for purchasing your new Mountrose product.
If in the unlikely event you experience any problems with assembly, or require any
spare screws/fixings for this product,

DO NOT RETURN THIS ITEM!!!!!!

Please telephone the Mountrose Customer Helpline

0161 406 5040

or email qc@mountrose.co.uk

THIS DOES NOT AFFECT YOUR STATUTORY RIGHTS

MOUNTROSE

MOUNTROSE LIMITED, ALAN HOUSE, ASHTON ROAD, BREDBURY, STOCKPORT. SK6 2QN UNITED KINGDOM