







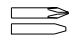
ASSEMBLING INSTRUCTIONS

CAUTION :

THIS ITEM IS MADE OF LAMINATED PARTICLE BOARD AND MEDIUM DENSITY FIBRE BOARD TO BE ASSEMBLED ON A DRY, SOFT, SMOOTH AND CLEAN SURFACE . DO NOT USE DETERGENT OR CHEMICAL. AVOID DAMP AND DIRECT SUNLIGHT.

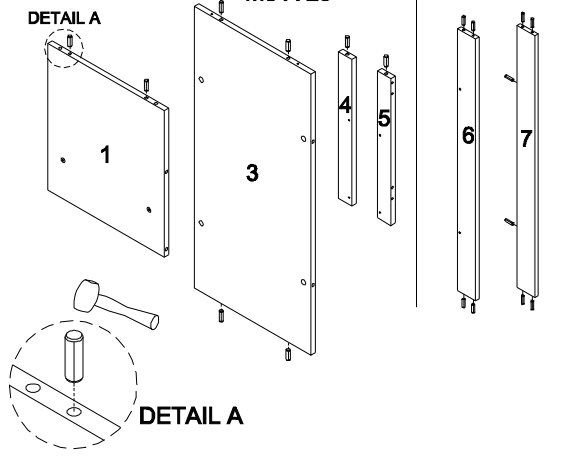
STEP 1	CHECK YOUR HARDWARE	H-CT871
	FLAT HEAD SCREW M6 X 40	4 PCS
	WOOD DOWEL M8 X 25	12 PCS
	WOOD DOWEL M6 X 25	20 PCS
	HOUSING D:15/12.5MM	16 PCS
	EURO BOLT	16 PCS
	ALLEN KEY	1 PC
	SCREW CAP	4 PCS

TOOLS REQUIRED :

 **HAMMER**  **SCREW DRIVER**

STEP 2

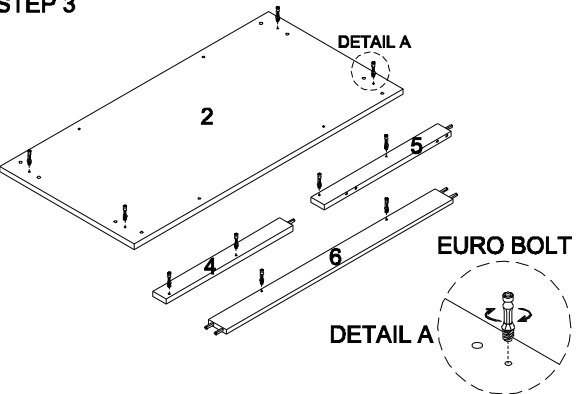
WOOD DOWEL M8 X 25 **WOOD DOWEL M6 X 25**



DETAIL A

DETAIL A

STEP 3

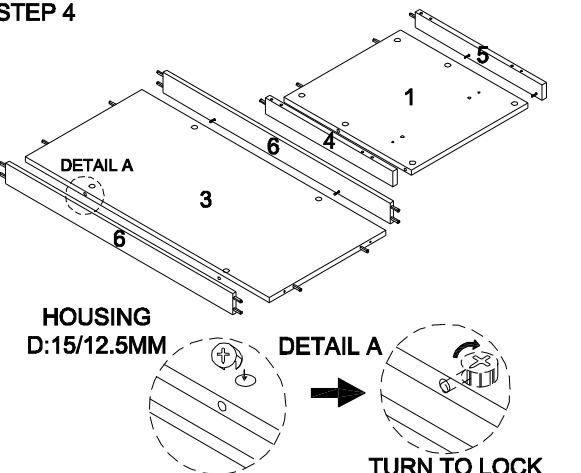


DETAIL A

EURO BOLT

DETAIL A

STEP 4



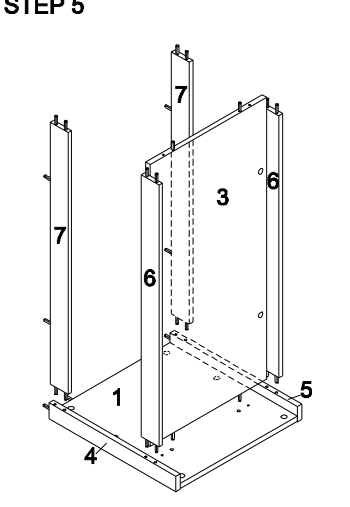
DETAIL A

HOUSING D:15/12.5MM

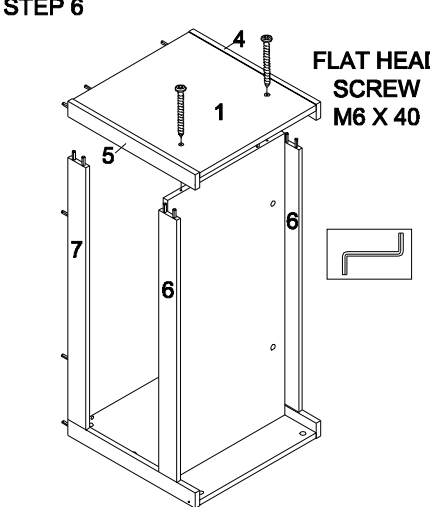
DETAIL A

TURN TO LOCK

STEP 5

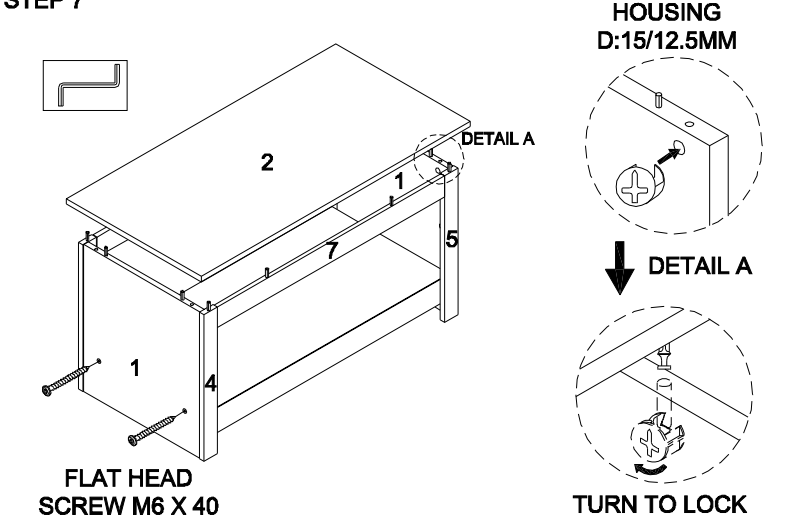


STEP 6



FLAT HEAD SCREW M6 X 40

STEP 7



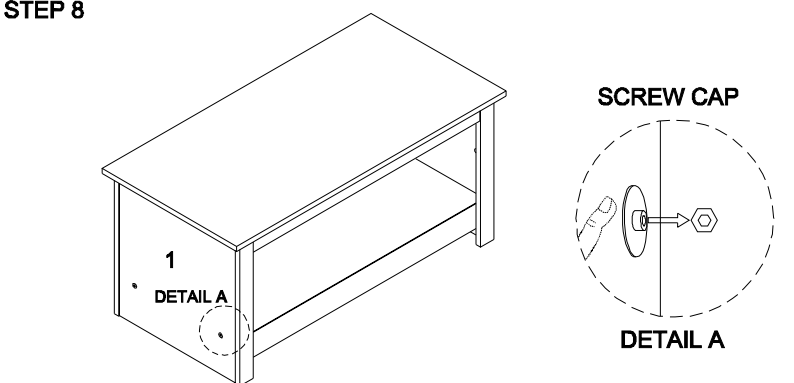
HOUSING D:15/12.5MM

DETAIL A

FLAT HEAD SCREW M6 X 40

TURN TO LOCK

STEP 8



SCREW CAP

DETAIL A

STEP 9

